

US00D548585S

(12) **United States Design Patent** (10) **Patent No.:** **US D548,585 S**  
**Okabe et al.** (45) **Date of Patent:** **\*\* Aug. 14, 2007**

(54) **PACKAGING CONTAINER** D527,627 S \* 9/2006 Liebe ..... D9/428

(75) Inventors: **Kyosuke Okabe**, Tokyo (JP);  
**Tomohiro Saito**, Tokyo (JP);  
**Masakazu Mameta**, Ibaraki (JP)

(73) Assignee: **Kobayashi Pharmaceutical Co., Ltd.**,  
Osaka (JP)

(\*\*) Term: **14 Years**

(21) Appl. No.: **29/258,140**

(22) Filed: **Apr. 18, 2006**

(30) **Foreign Application Priority Data**

Oct. 18, 2005 (JP) ..... 2005-030492

(51) **LOC (8) Cl.** ..... **09-03**

(52) **U.S. Cl.** ..... **D9/420; D9/428**

(58) **Field of Classification Search** ..... D9/414-435,  
D9/438, 443, 744, 730, 733, 759; 221/17,  
221/22, 92-100; D3/203.2; D28/73-82;  
D7/629, 601-2, 589-90; D24/131; 220/270,  
220/265, 315, 810, 283, 254.1-254.9, 259.1-259.5;  
206/528, 530

See application file for complete search history.

(56) **References Cited**

**U.S. PATENT DOCUMENTS**

- D278,115 S \* 3/1985 Leininger ..... D7/392
- D355,121 S \* 2/1995 Kohl ..... D9/447
- 6,068,153 A \* 5/2000 Young et al. .... 220/254.3
- D475,485 S \* 6/2003 Sheng ..... D28/78
- D480,634 S \* 10/2003 Caroen ..... D9/414
- D491,804 S \* 6/2004 Benedetti ..... D9/420
- D517,738 S \* 3/2006 Lai ..... D28/82
- D524,153 S \* 7/2006 Reinhard ..... D9/428

**FOREIGN PATENT DOCUMENTS**

JP	792549	7/1990
JP	822835	11/1991
JP	969794	12/1996
JP	972050	1/1997
JP	977863	3/1997

(Continued)

*Primary Examiner*—Stella Reid

*Assistant Examiner*—Thomas Johannes

(74) *Attorney, Agent, or Firm*—Finnegan, Henderson,  
Farabow, Garrett & Dunner, L.L.P.

(57) **CLAIM**

The ornamental design for a packaging container, as shown  
and described.

**DESCRIPTION**

FIG. 1 is a perspective view of a packaging container with  
a lid in an open position showing our new design;

FIG. 2 is a front elevational view thereof;

FIG. 3 is a rear elevational view thereof;

FIG. 4 is a top plan view thereof;

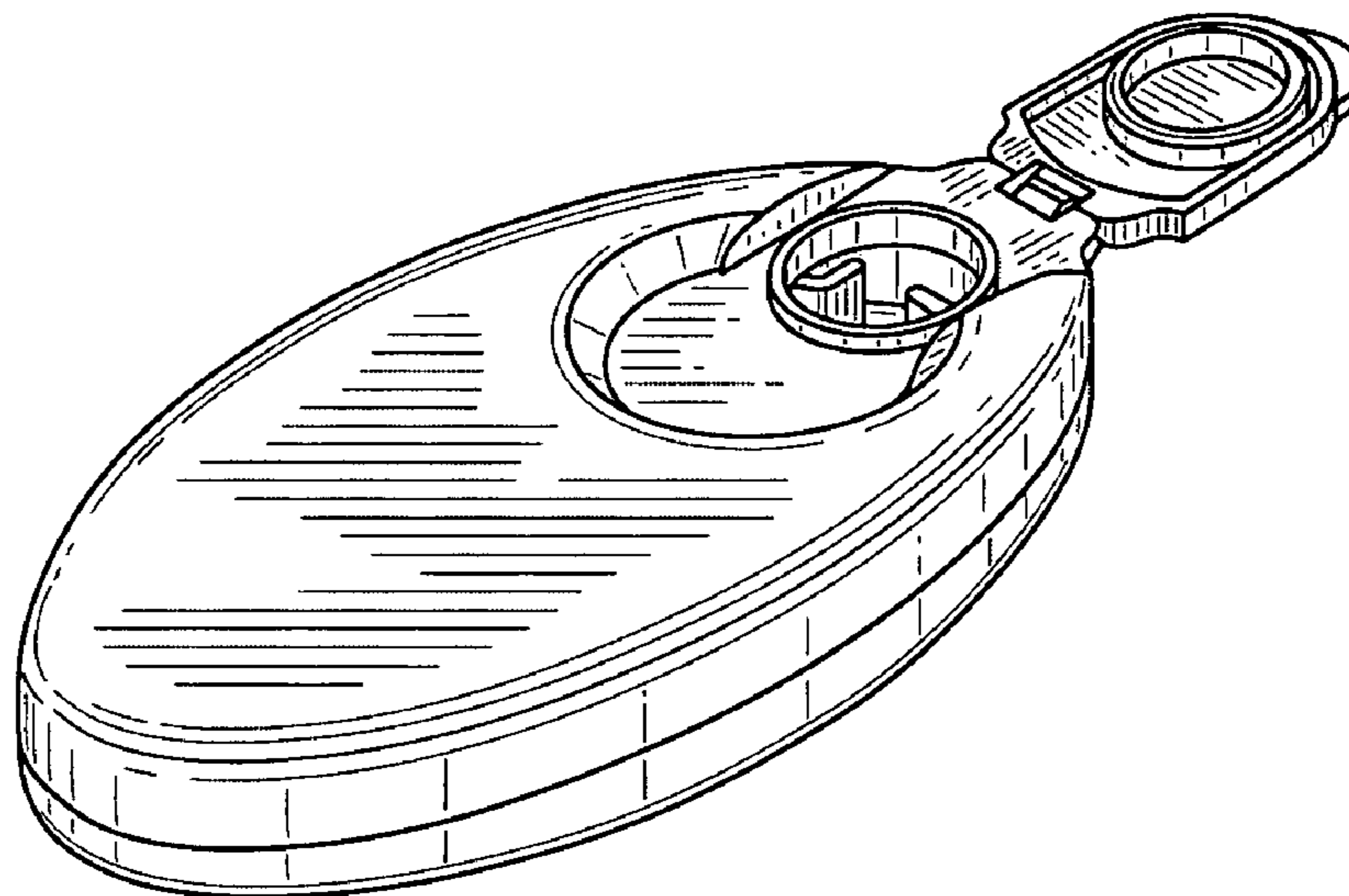
FIG. 5 is a bottom plan view thereof;

FIG. 6 is a right side elevational view thereof the left side  
being symmetrical therewith;

FIG. 7 is a sectional view taken along the line 7—7 of FIG.  
4; and,

FIG. 8 is a sectional view taken along the line 8—8 of FIG.  
4.

**1 Claim, 3 Drawing Sheets**

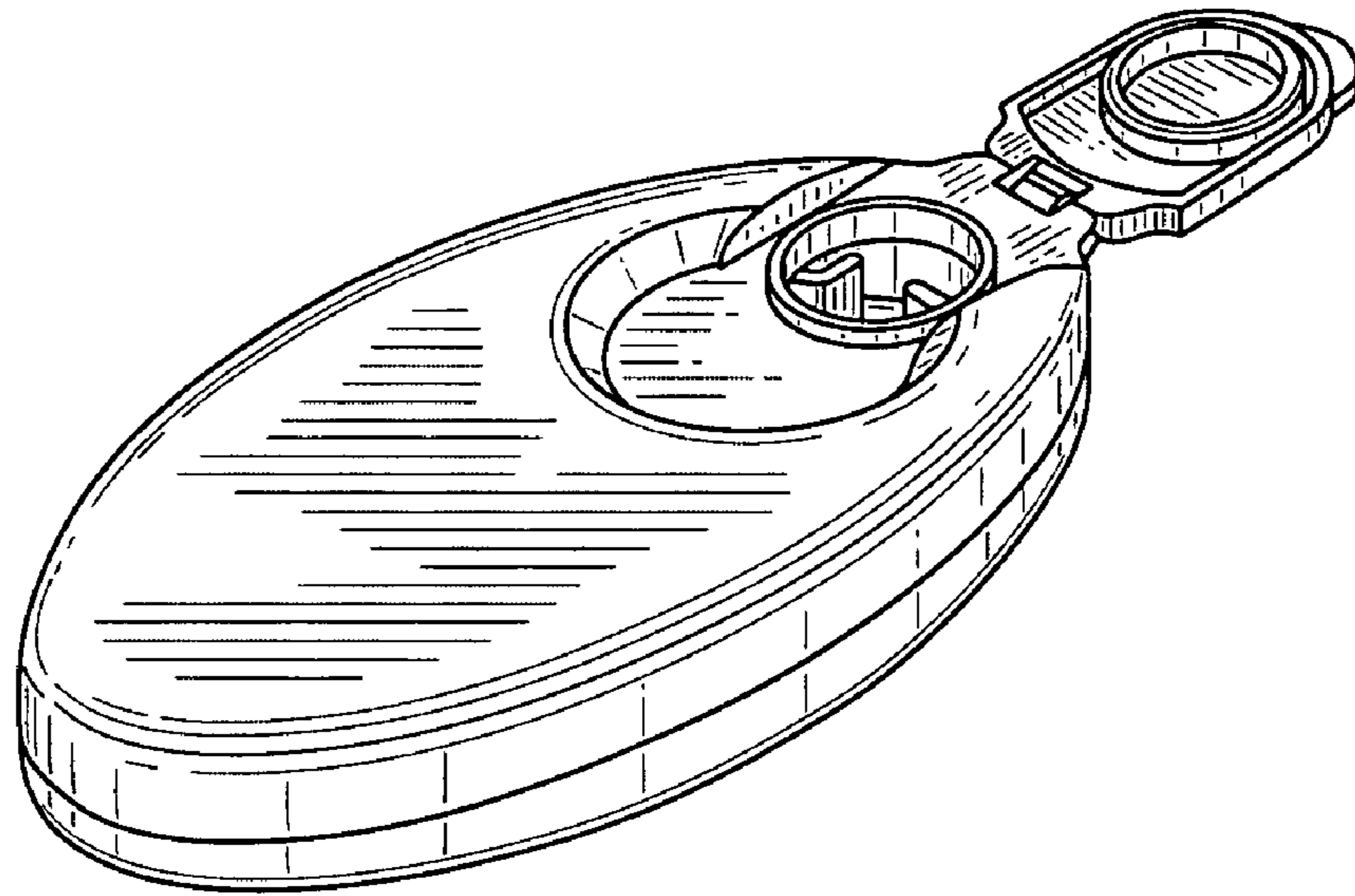


# US D548,585 S

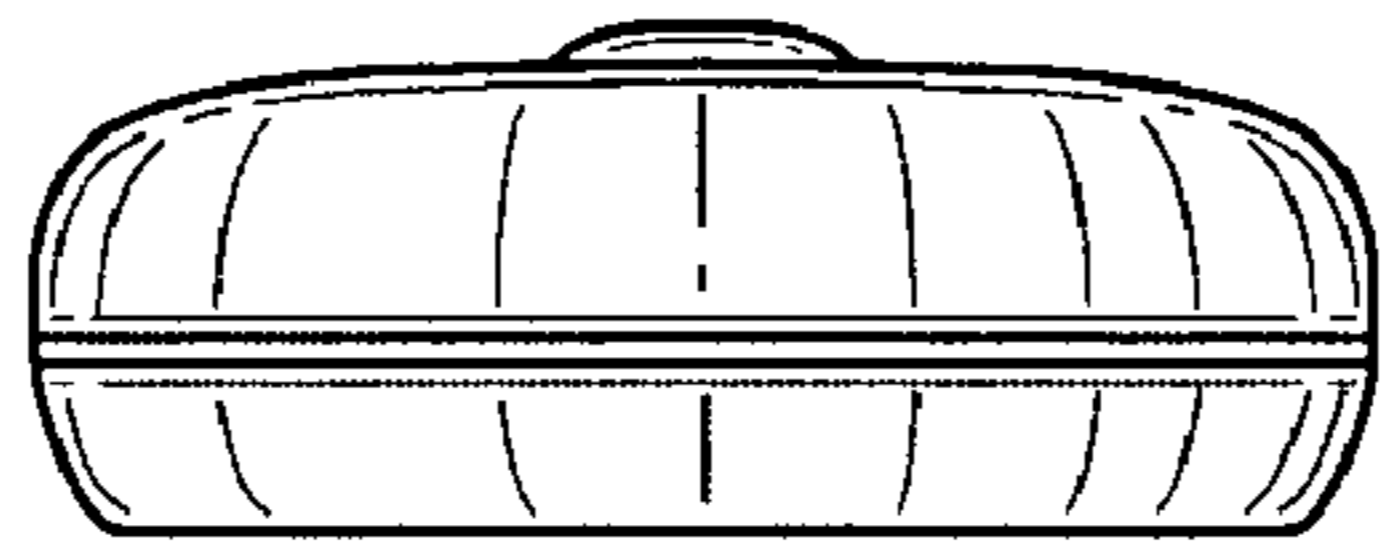
Page 2

---

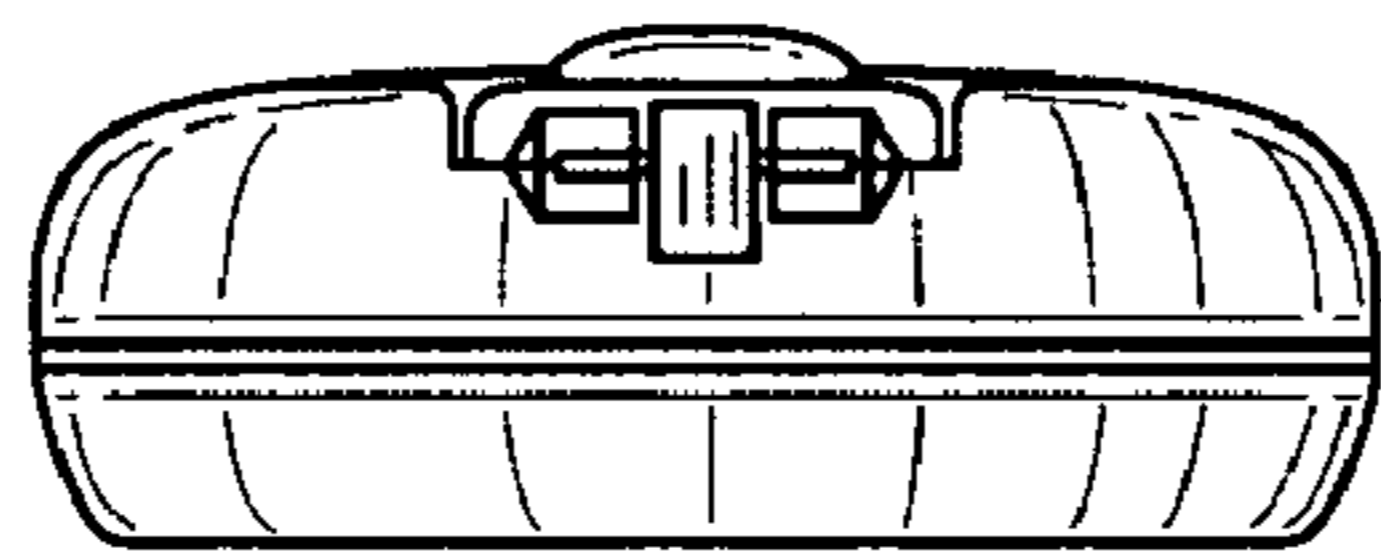
FOREIGN PATENT DOCUMENTS					
			JP	1191016	11/2003
			JP	1197109	2/2004
			JP	1198099	2/2004
			JP	1201340	4/2004
			JP	1232012	3/2005
			JP	1240862	5/2005
			JP	1243400	6/2005
			* cited by examiner		
JP	972050-1	7/1997			
JP	1031871	2/1999			
JP	1040233	6/1999			
JP	1142396	6/2002			
JP	1158303	11/2002			
JP	1158304	11/2002			
JP	1178070	6/2003			
JP	1183512	9/2003			



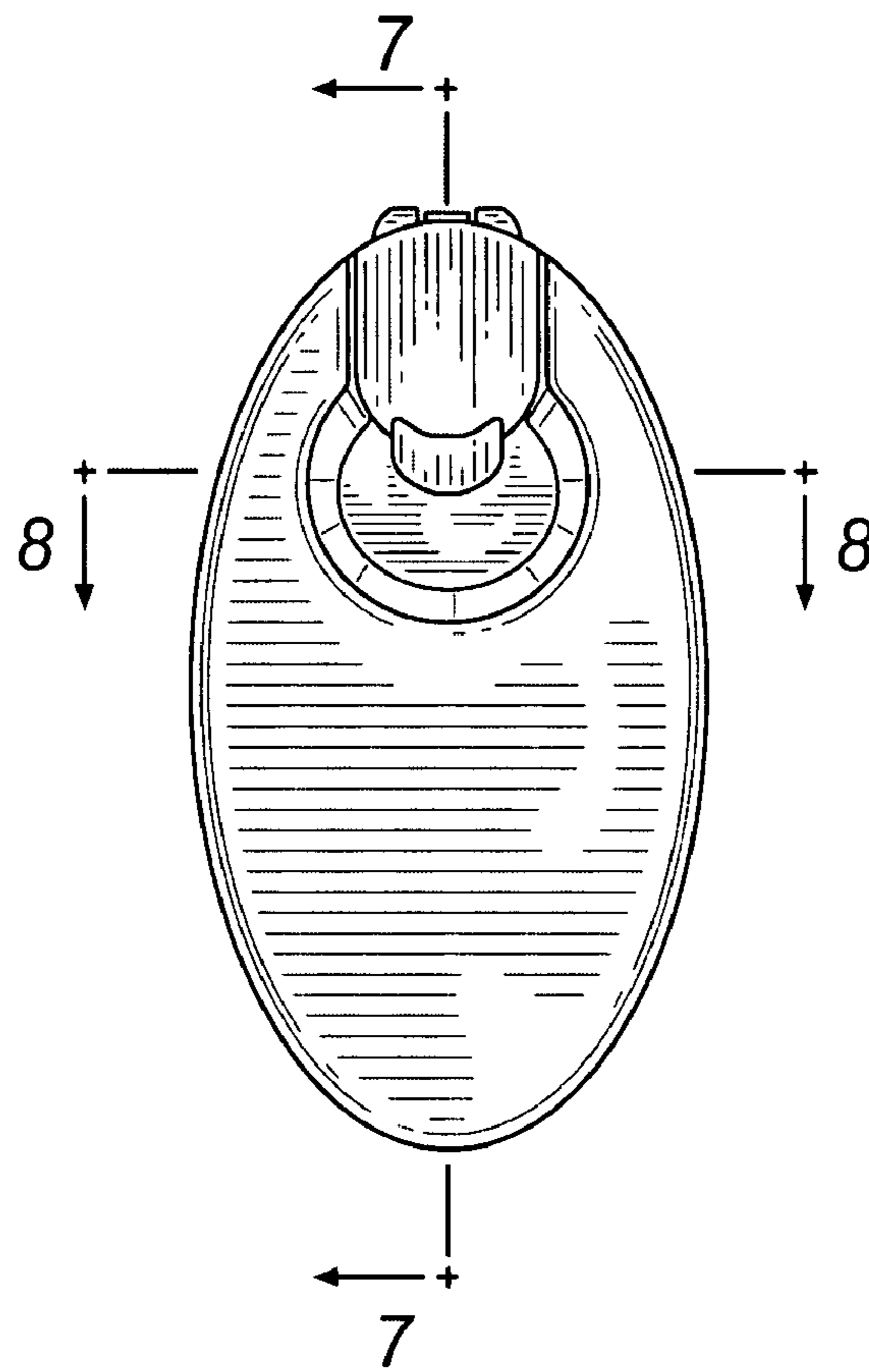
**FIG. 1**



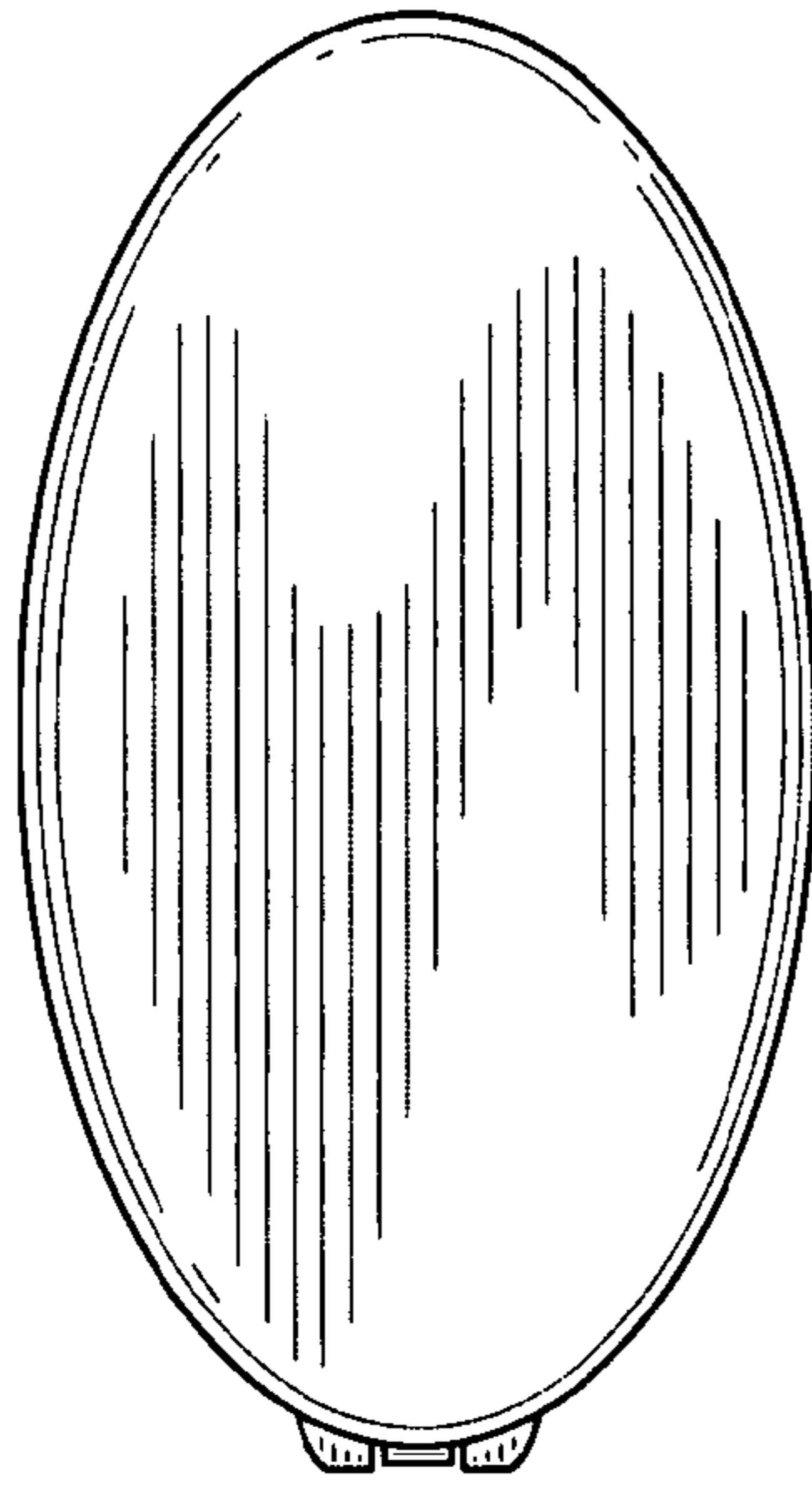
**FIG. 2**



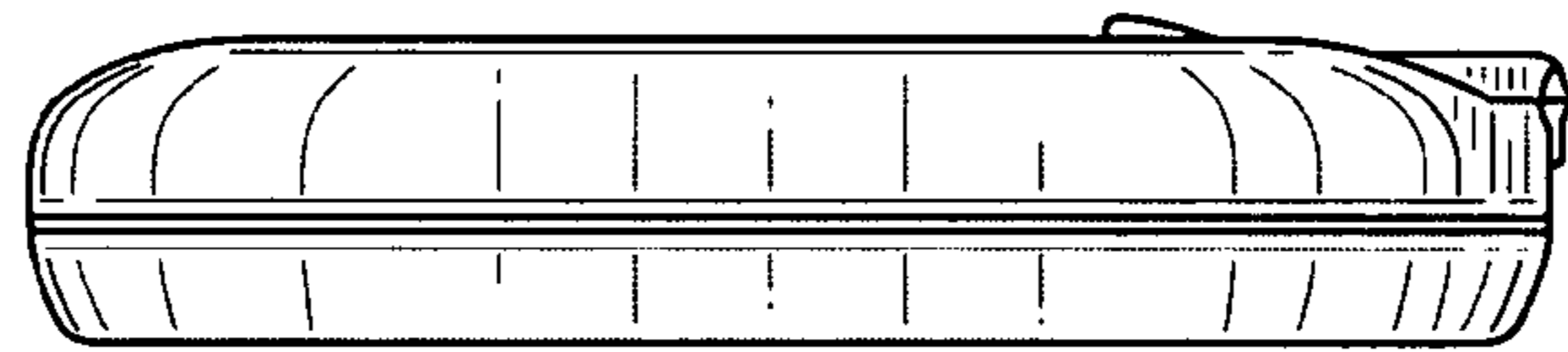
**FIG. 3**



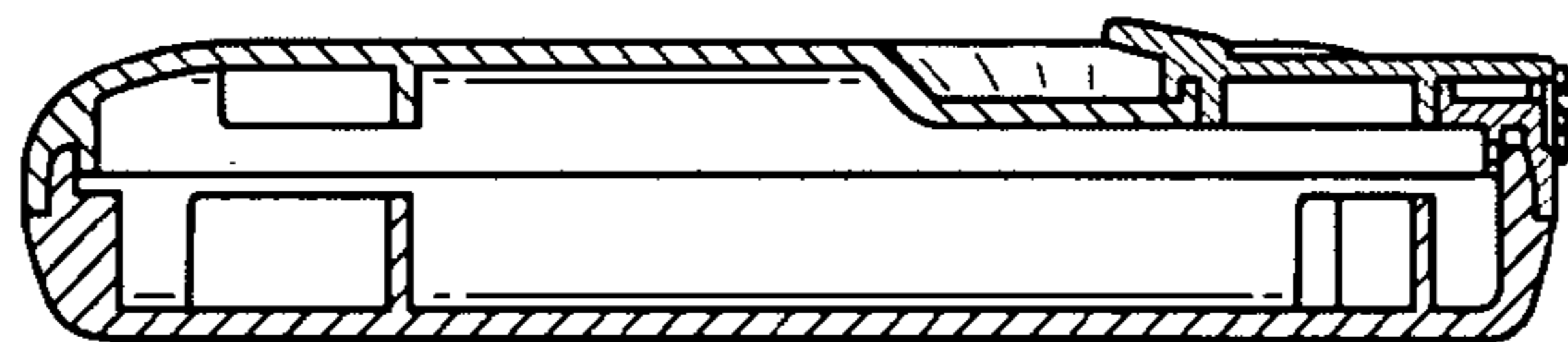
**FIG. 4**



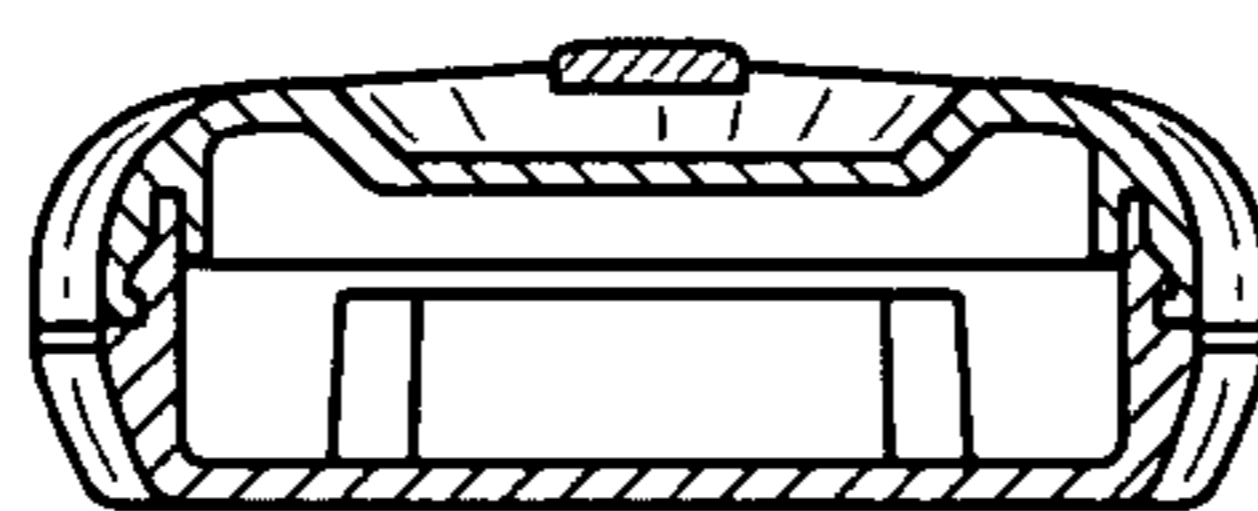
**FIG. 5**



**FIG. 6**



**FIG. 7**



**FIG. 8**