

US00D548582S

(12) **United States Design Patent**  
**Croft et al.**

(10) **Patent No.:** **US D548,582 S**

(45) **Date of Patent:** **\*\* Aug. 14, 2007**

(54) **PRODUCT PACKAGING**

(75) Inventors: **Robert John Croft**, Jersey City, NJ  
(US); **Martin Short**, Jersey City, NJ  
(US)

(73) Assignee: **Microsoft Corporation**, Redmond, WA  
(US)

(\*\*) Term: **14 Years**

(21) Appl. No.: **29/246,751**

(22) Filed: **May 8, 2006**

**Related U.S. Application Data**

(63) Continuation-in-part of application No. 29/229,675,  
filed on May 11, 2005.

(51) **LOC (8) Cl.** ..... **09-03**

(52) **U.S. Cl.** ..... **D9/415; D9/418; D9/425**

(58) **Field of Classification Search** ..... D9/414-433,  
D9/457, 701, 341-348, 730-762, 304, 227;  
206/461-471, 495, 806; D3/215; 220/287  
See application file for complete search history.

(56) **References Cited**

**U.S. PATENT DOCUMENTS**

3,157,279	A *	11/1964	Samsing	.....	206/462
D268,331	S *	3/1983	Kay et al.	.....	D9/415
D278,979	S *	5/1985	Anderson et al.	.....	D9/415
4,570,818	A *	2/1986	Borst et al.	.....	220/835
D304,685	S *	11/1989	Hadtko	.....	D9/415
D348,391	S *	7/1994	Ichikawa et al.	.....	D9/415
D406,753	S *	3/1999	Lee	.....	D9/415

6,053,325	A *	4/2000	Yonker et al.	.....	206/736
D431,459	S *	10/2000	Lee	.....	D9/415
D449,780	S *	10/2001	Corella	.....	D9/415
D456,249	S *	4/2002	Pearson et al.	.....	D9/415
D490,702	S *	6/2004	Milan	.....	D9/415
D499,963	S *	12/2004	Church	.....	D9/415
D505,618	S *	5/2005	Richards et al.	.....	D9/415
D509,728	S *	9/2005	Kato	.....	D9/415
D517,909	S *	3/2006	Kent et al.	.....	D9/415

\* cited by examiner

*Primary Examiner*—Louis S. Zarfaz

*Assistant Examiner*—Susan E Krakower

(74) *Attorney, Agent, or Firm*—Banner & Witcoff, Ltd.

(57) **CLAIM**

The ornamental design for product packaging, as shown and described.

**DESCRIPTION**

FIG. 1 is a perspective view of a product packaging showing our new design;

FIG. 2 is a front view thereof;

FIG. 3 is a right side view thereof;

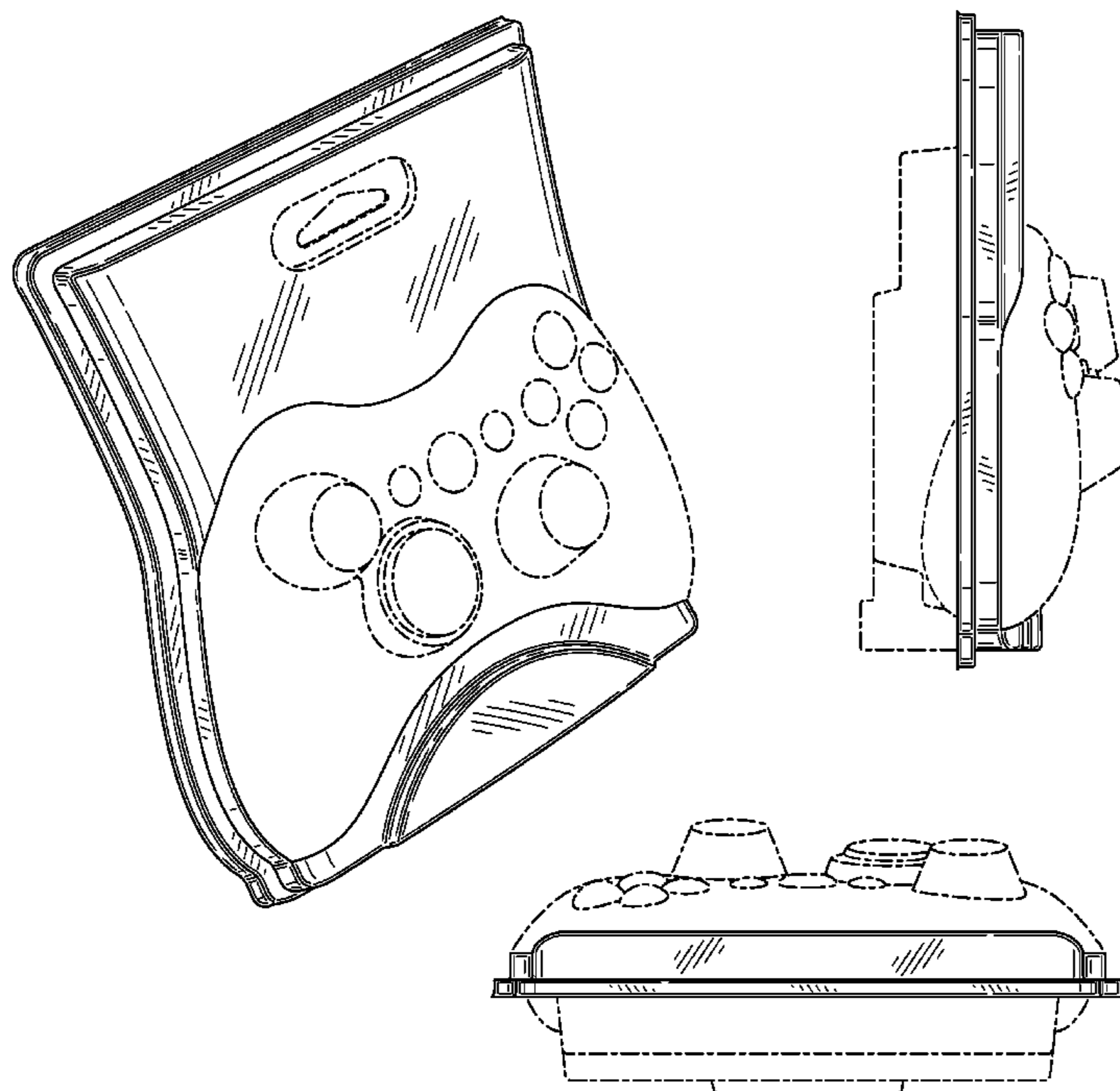
FIG. 4 is a left side view thereof;

FIG. 5 is a top view thereof; and,

FIG. 6 is a bottom view thereof.

The broken line showing of various regions, the unshaded portions therein, and the remainder of the product packaging is for illustrative purposes only and forms no part of the claimed design.

**1 Claim, 4 Drawing Sheets**



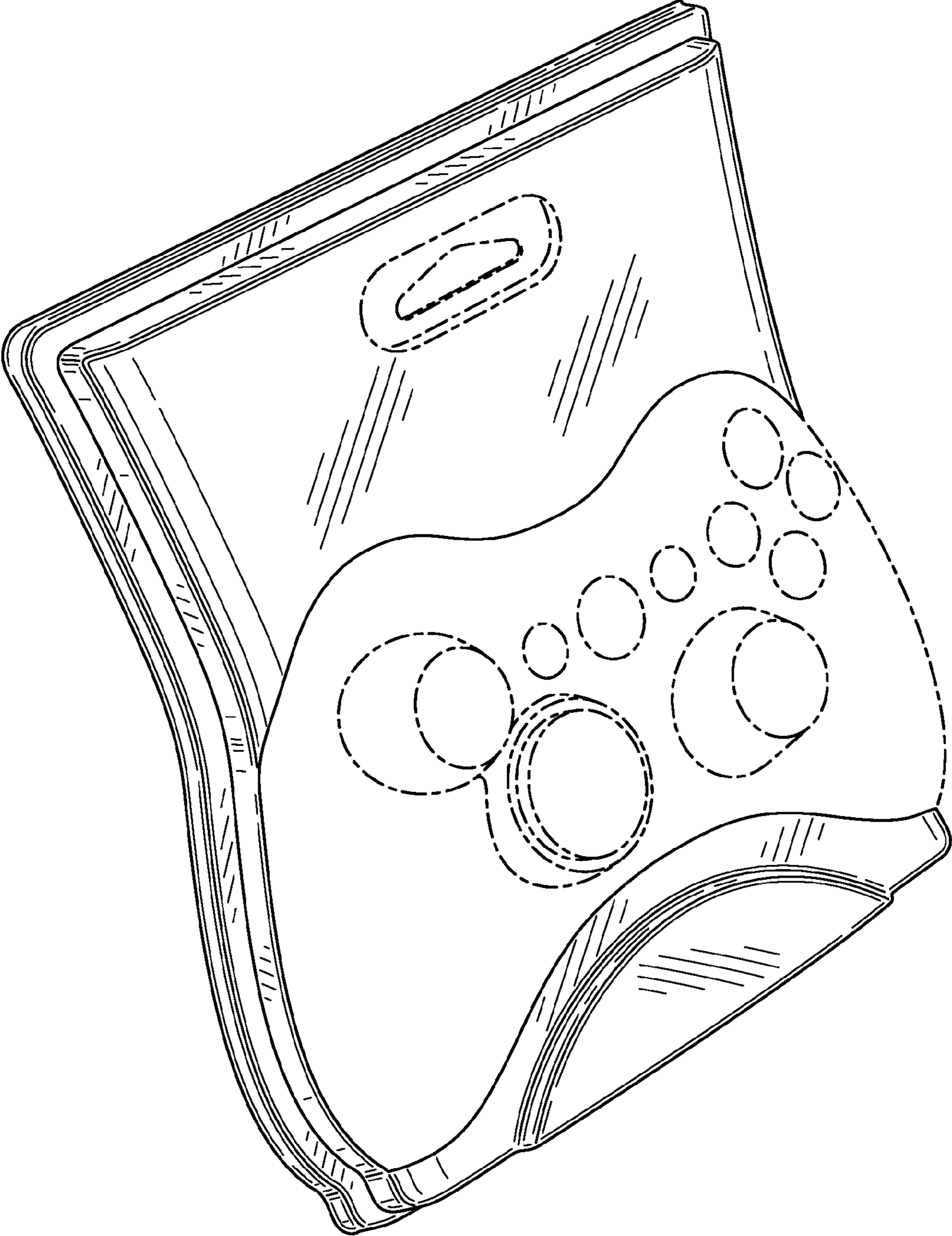


FIG. 1

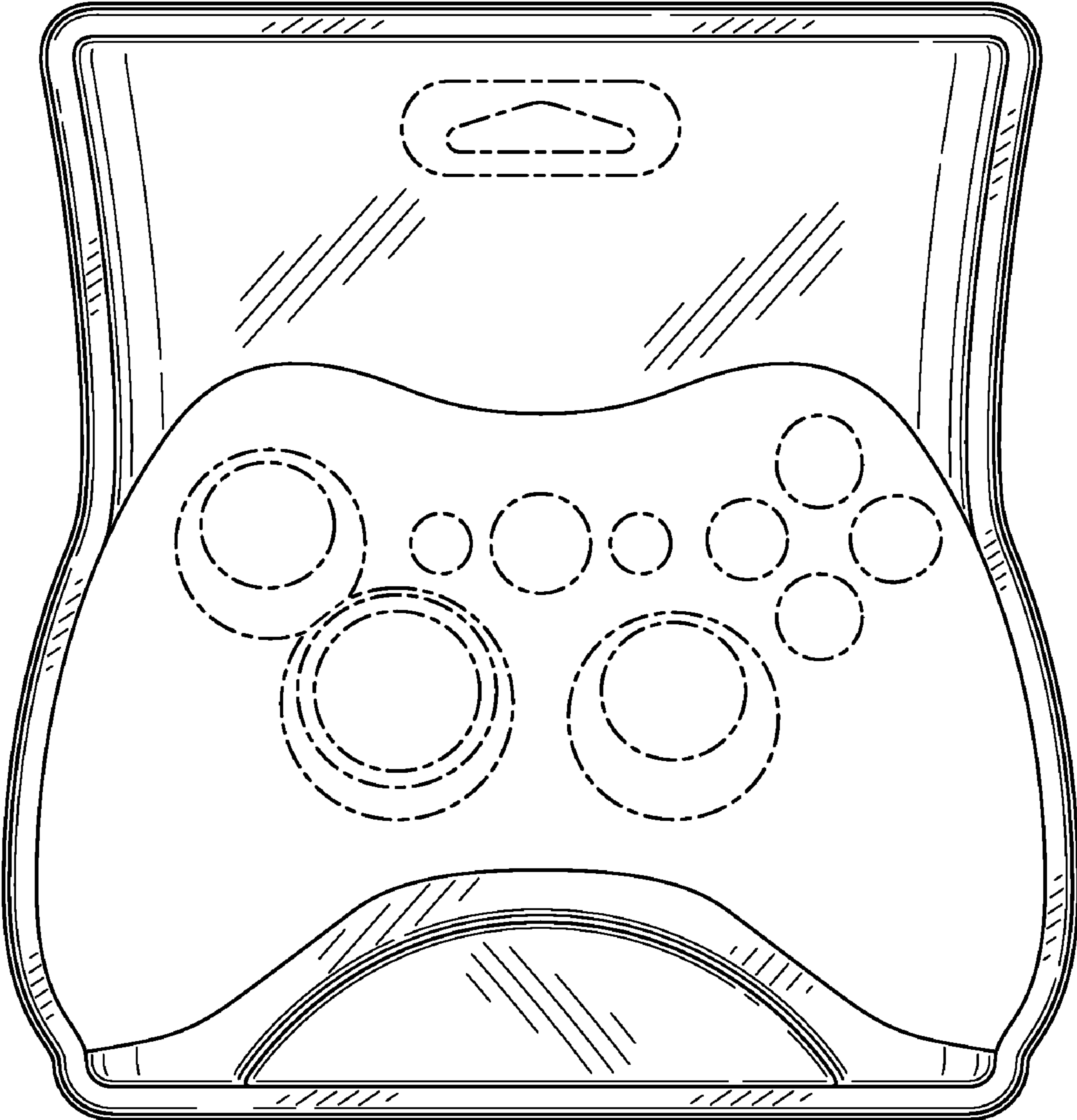


FIG. 2

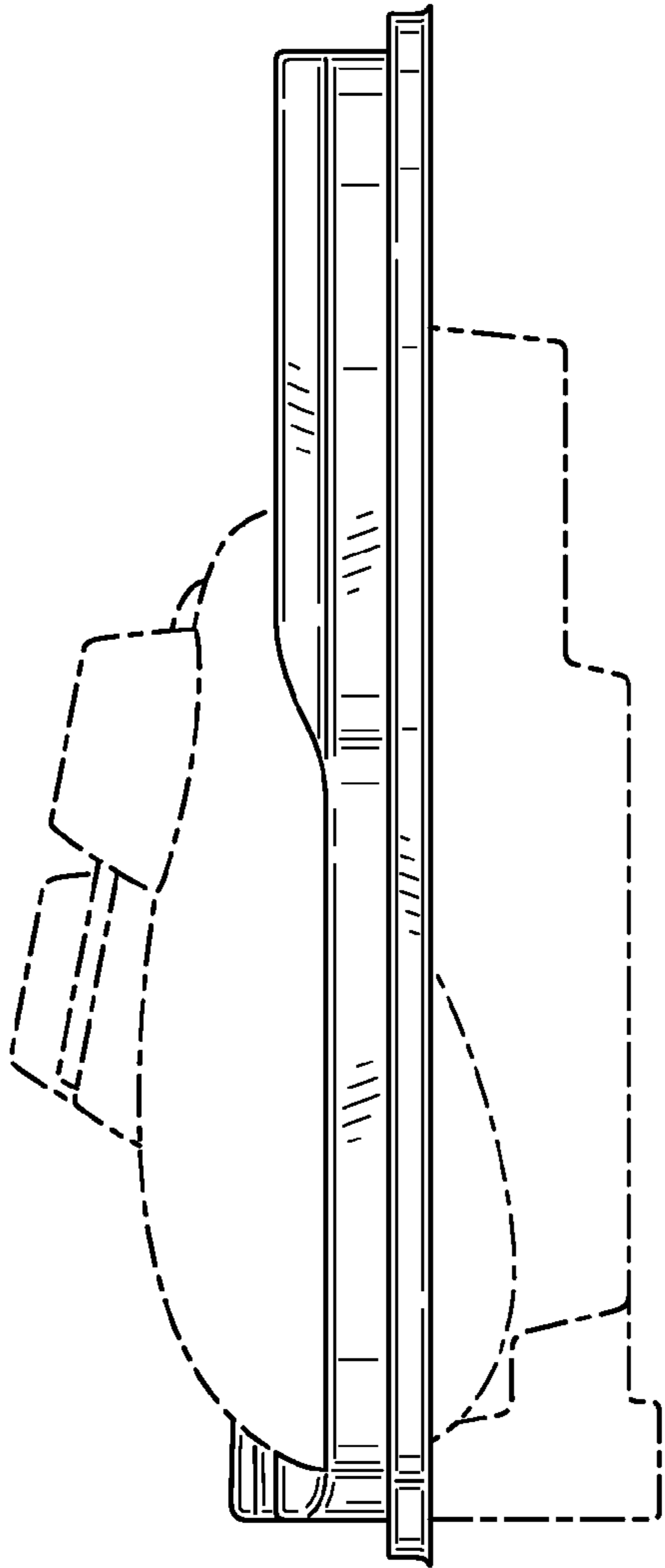


FIG. 3

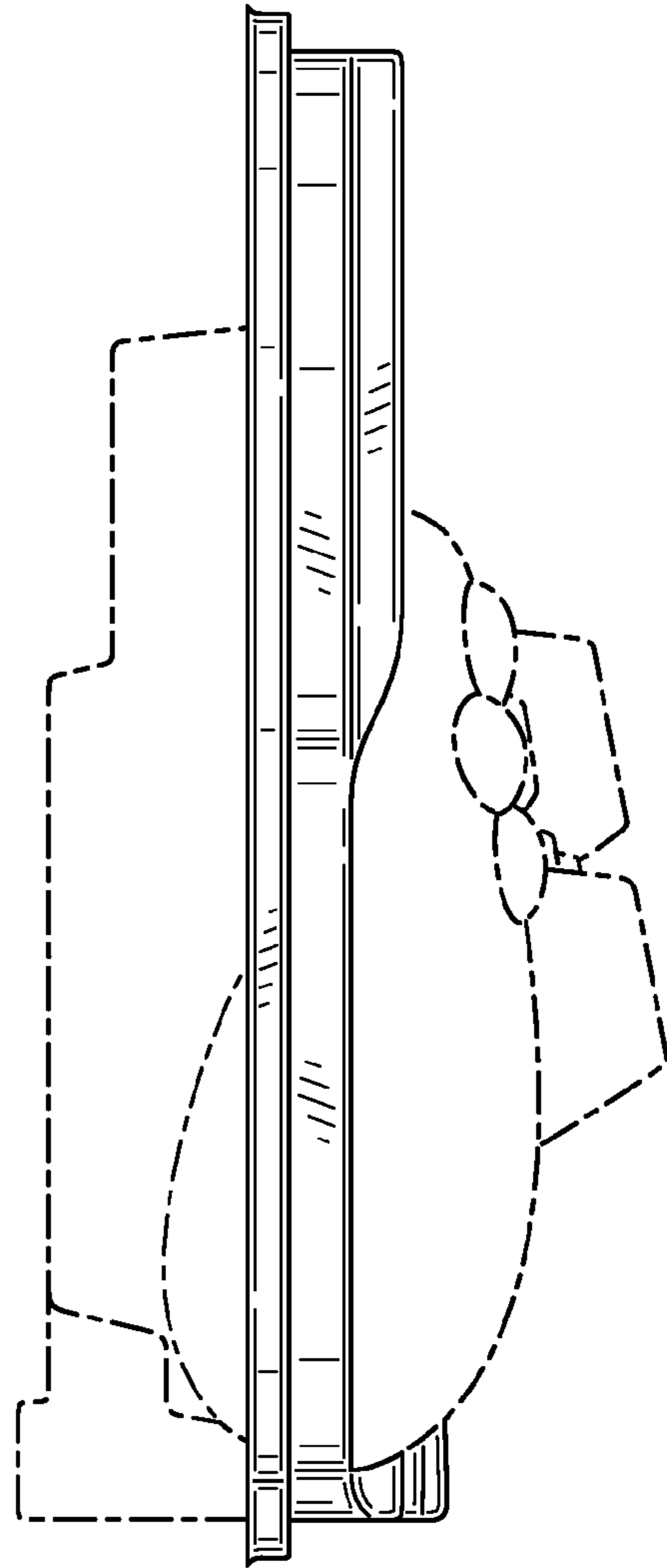


FIG. 4

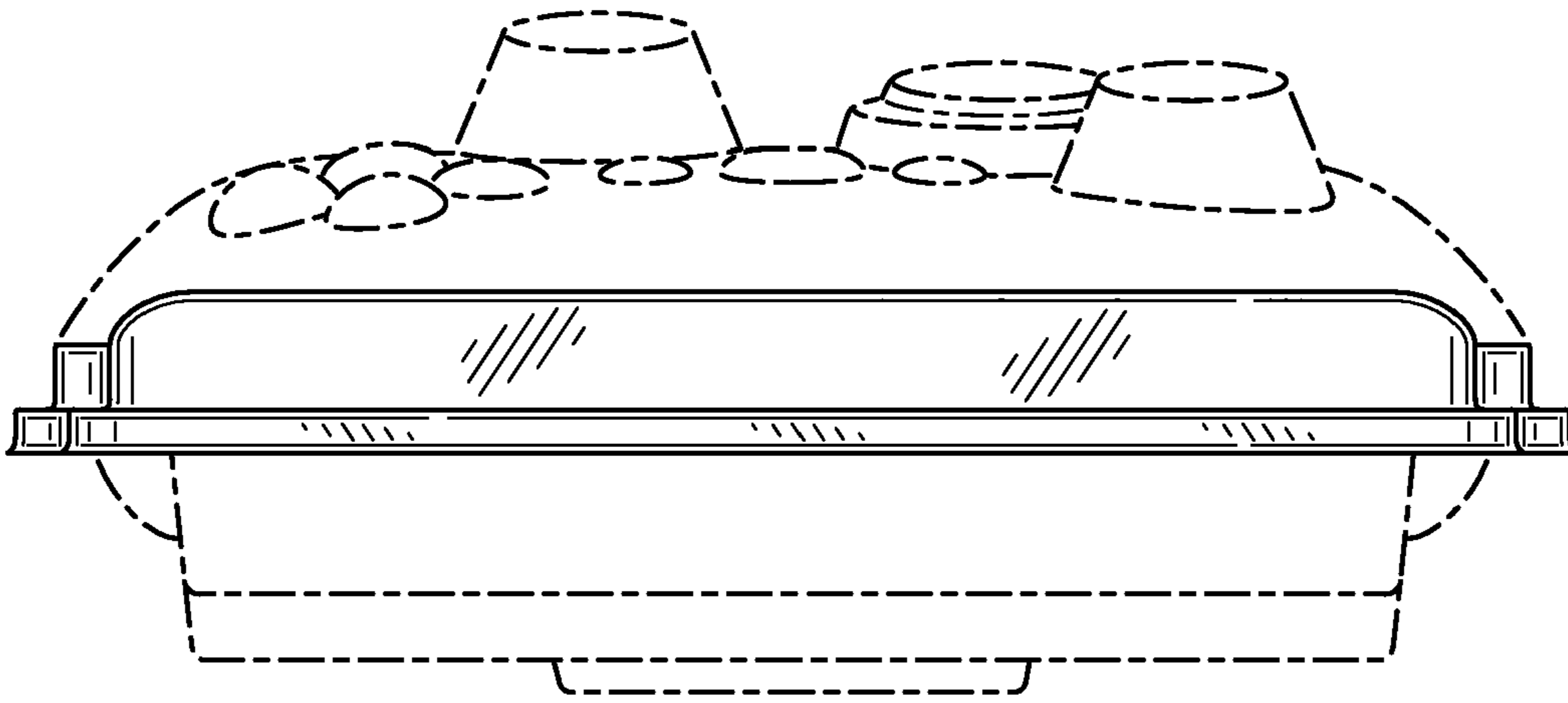


FIG. 5

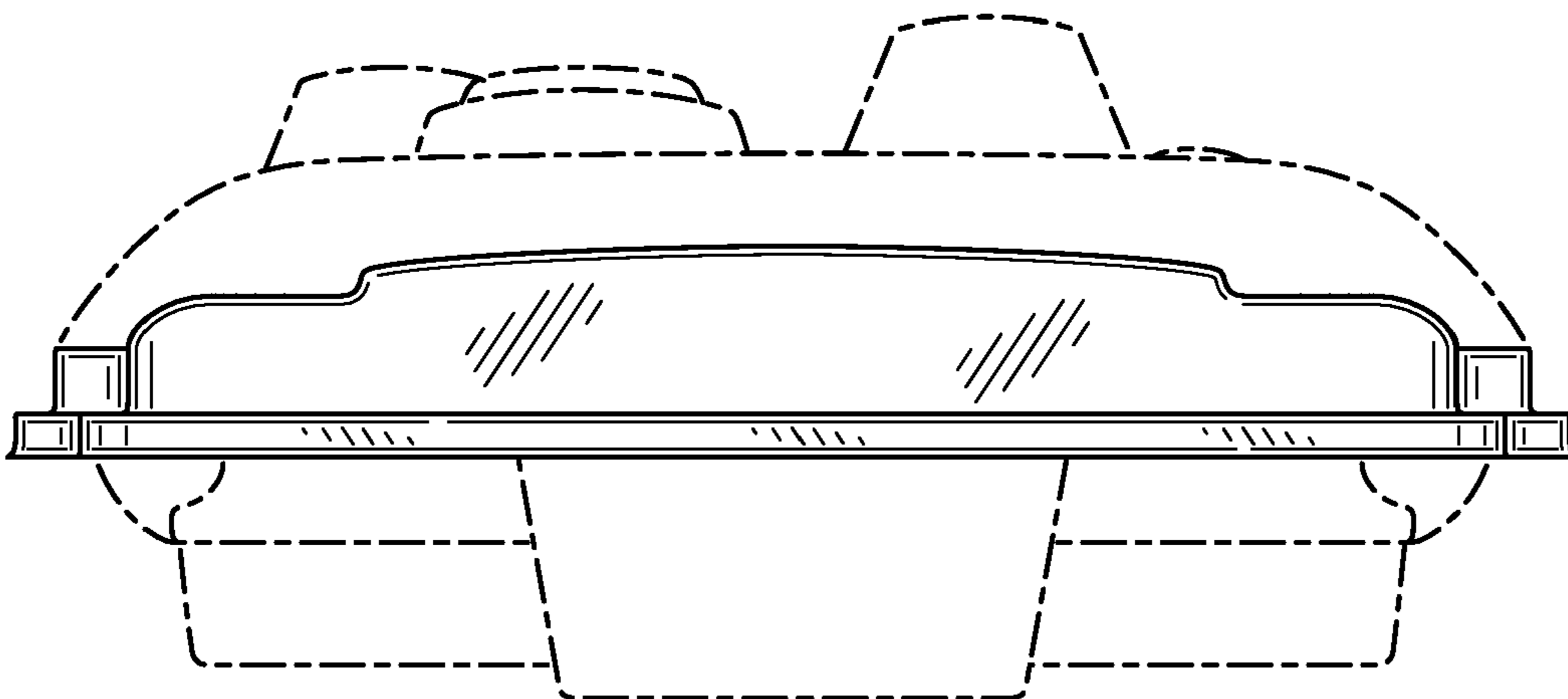


FIG. 6