



US00D548580S

(12) **United States Design Patent**
Burger

(10) **Patent No.:** **US D548,580 S**

(45) **Date of Patent:** **** Aug. 14, 2007**

(54) **BOLT**

(75) Inventor: **Kobus Burger**, Germiston (ZA)

(73) Assignee: **Grinaker-LTA Limited** (ZA)

(**) Term: **14 Years**

(21) Appl. No.: **29/237,040**

(22) Filed: **Aug. 25, 2005**

(51) **LOC (8) Cl.** **08-08**

(52) **U.S. Cl.** **D8/387**

(58) **Field of Classification Search** D8/388,
D8/393, 80.1, 178, 378; 411/352, 353, 168,
411/188, 378, 411, 80.1, 178

See application file for complete search history.

(56) **References Cited**

U.S. PATENT DOCUMENTS

5,662,444	A *	9/1997	Schmidt, Jr.	411/369
5,711,711	A *	1/1998	Schmidt, Jr.	470/41
5,782,595	A *	7/1998	Schneider	411/352
5,807,052	A *	9/1998	Van Boven et al.	411/353
6,227,783	B1 *	5/2001	Salameh	411/353
6,227,784	B1 *	5/2001	Antoine et al.	411/369
6,280,132	B1 *	8/2001	Szczukowski et al.	411/353

6,309,156	B1 *	10/2001	Schneider	411/353
6,309,157	B1 *	10/2001	Amann et al.	411/353
6,343,904	B1 *	2/2002	Wang	411/368
6,582,171	B2 *	6/2003	Bondarowicz et al.	411/353
6,585,468	B2 *	7/2003	Johnson et al.	411/353

* cited by examiner

Primary Examiner—Holly Baynham

Assistant Examiner—Sheryl Friedman

(74) *Attorney, Agent, or Firm*—Keusey, Tutunjian & Bitetto, P.C.

(57) **CLAIM**

The ornamental design for a bolt, as shown and described.

DESCRIPTION

FIG. 1 is a perspective view of the bolt of the invention, in an assembled state;

FIG. 2 is an exploded perspective view;

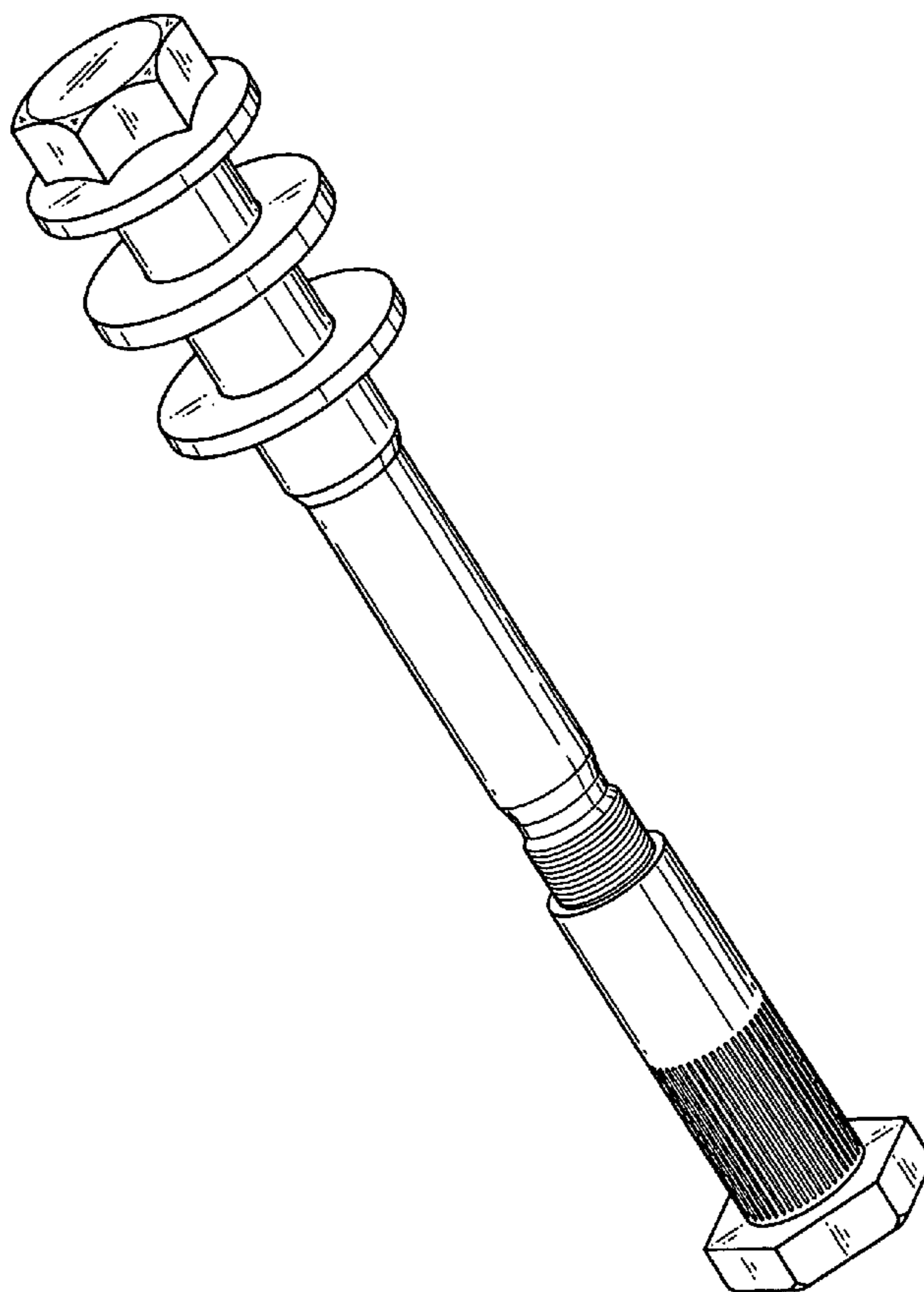
FIG. 3 is a view from one end;

FIG. 4 is a side view;

FIG. 5 is a view from an opposing side; and,

FIG. 6 is a view from an opposing end.

1 Claim, 3 Drawing Sheets



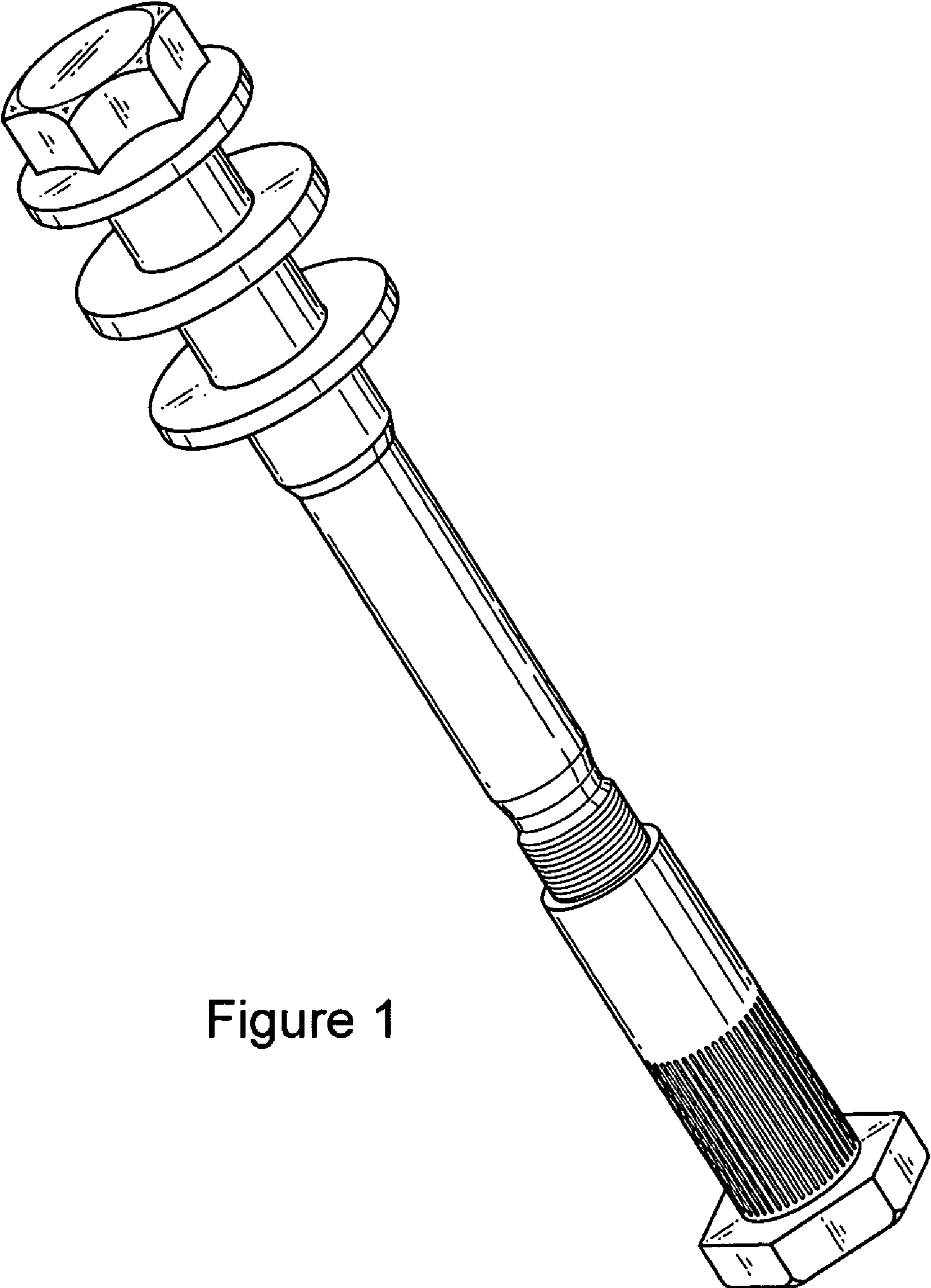


Figure 1

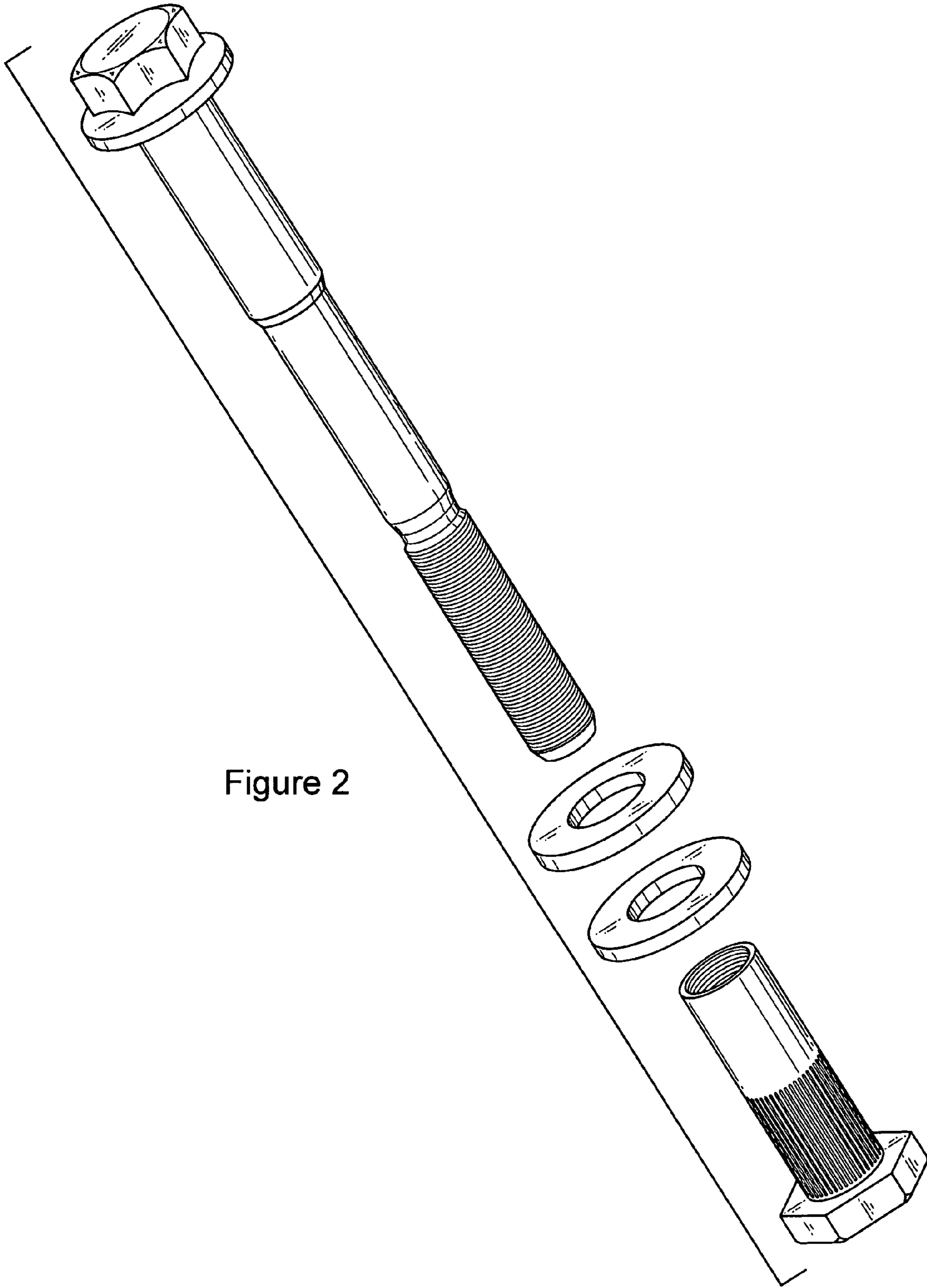


Figure 2

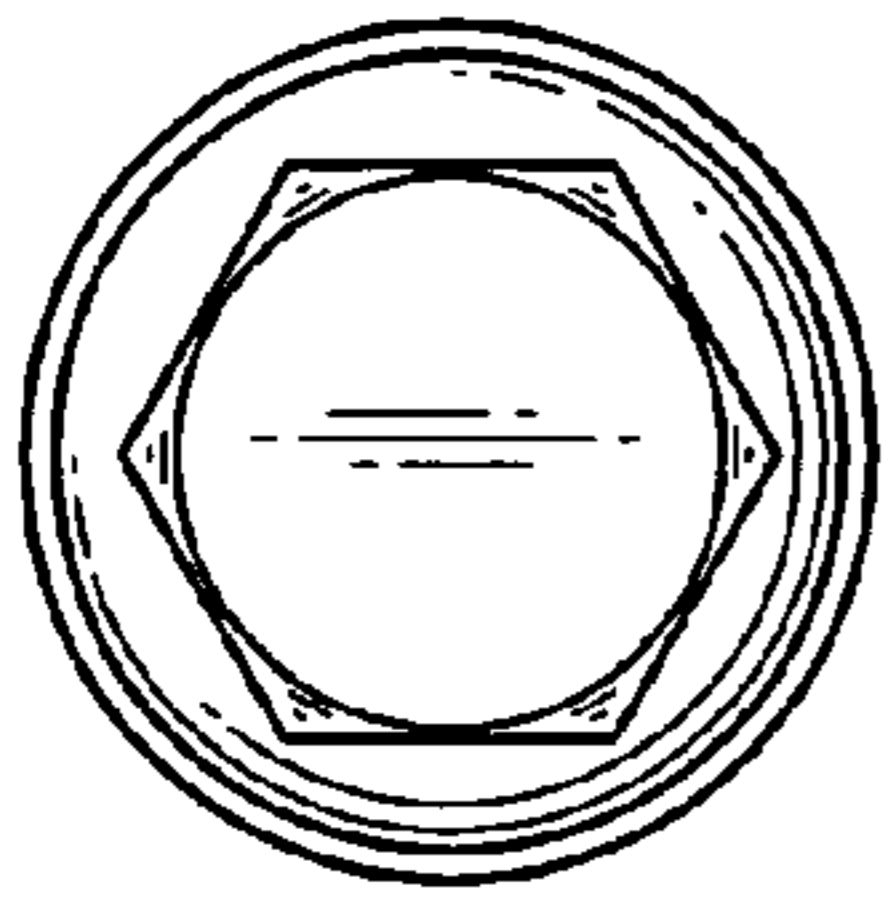


Figure 3

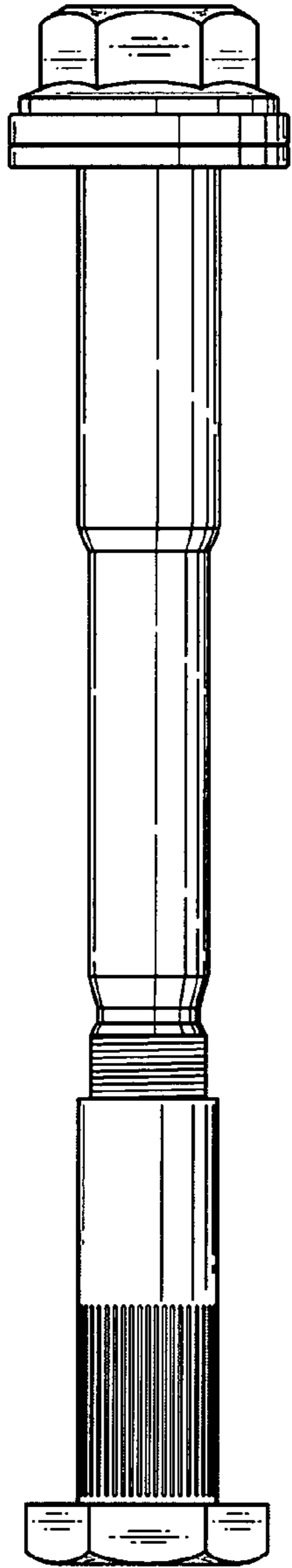


Figure 4

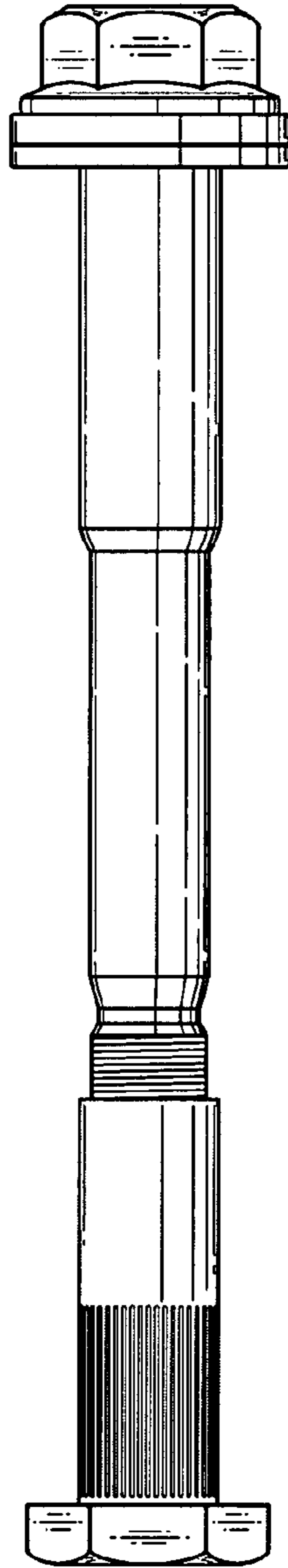


Figure 5

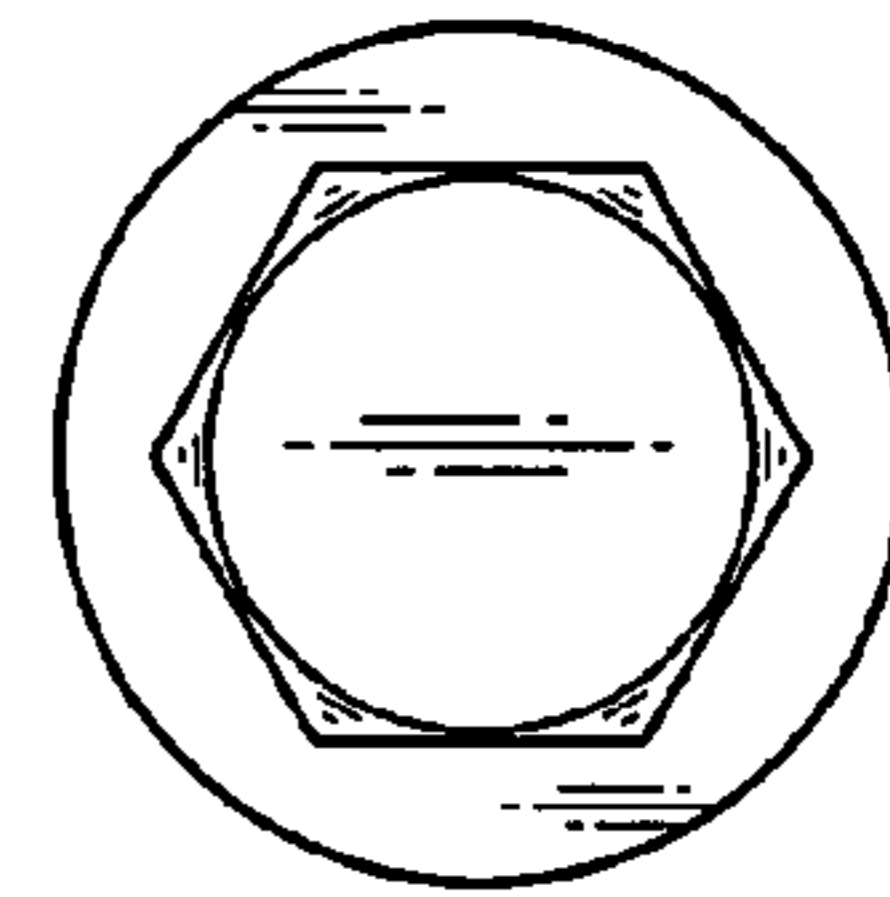


Figure 6