



US00D548579S

(12) **United States Design Patent**  
**Gaudron**

(10) **Patent No.:** **US D548,579 S**

(45) **Date of Patent:** **\*\* Aug. 14, 2007**

(54) **EXPANSION ANCHOR**

(75) Inventor: **Paul Gaudron**, Stamford, CT (US)

(73) Assignee: **Powers Products III, LLC**, New Rochelle, NY (US)

(\*\*) Term: **14 Years**

(21) Appl. No.: **29/239,835**

(22) Filed: **Oct. 5, 2005**

(51) **LOC (8) Cl.** ..... **08-08**

(52) **U.S. Cl.** ..... **D8/385**

(58) **Field of Classification Search** ..... D8/382,  
D8/385, 387, 388, 391; 411/55, 393, 402,  
411/403

See application file for complete search history.

(56) **References Cited**

**U.S. PATENT DOCUMENTS**

3,302,509	A *	2/1967	Modrey	.....	411/18
3,742,809	A *	7/1973	Zifferer	.....	411/61
3,964,229	A *	6/1976	Fischer	.....	52/698
3,964,230	A *	6/1976	Fischer	.....	52/698
4,636,123	A *	1/1987	Herb	.....	411/55
4,656,806	A *	4/1987	Leibhard et al.	.....	52/704
5,116,176	A *	5/1992	Yousuke	.....	411/65
5,284,409	A *	2/1994	Miyanaga	.....	411/55
D371,294	S *	7/1996	Anquetin	.....	D8/385

D418,048	S *	12/1999	Chan	.....	D8/387
D473,126	S *	4/2003	Fergusson	.....	D8/387
D536,956	S *	2/2007	Huang	.....	D8/385
2001/0028836	A1 *	10/2001	Kohori	.....	411/402

\* cited by examiner

*Primary Examiner*—Holly H. Baynham

*Assistant Examiner*—Sheryl Friedman

(74) *Attorney, Agent, or Firm*—Cantor Colburn LLP

(57) **CLAIM**

I claim, the ornamental design for the expansion anchor, as shown and described.

**DESCRIPTION**

FIG. 1 is a front view showing my new design, the rear view being a mirror image thereof;

FIG. 2 is a right side view thereof, the left side being a mirror image thereof;

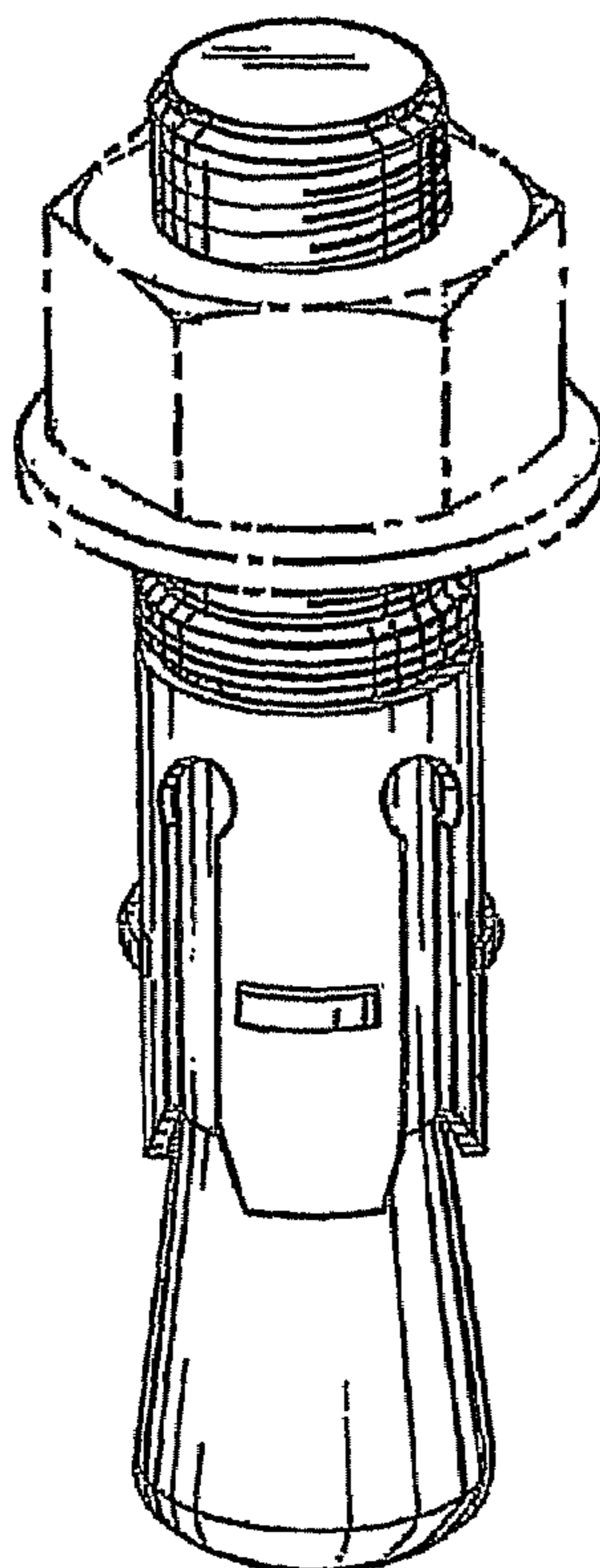
FIG. 3 is a top view thereof

FIG. 4 is a bottom view thereof; and,

FIG. 5 is a front perspective view thereof.

The broken lines are included for the purpose of illustrating environmental structure and form no part of the claimed design.

**1 Claim, 1 Drawing Sheet**



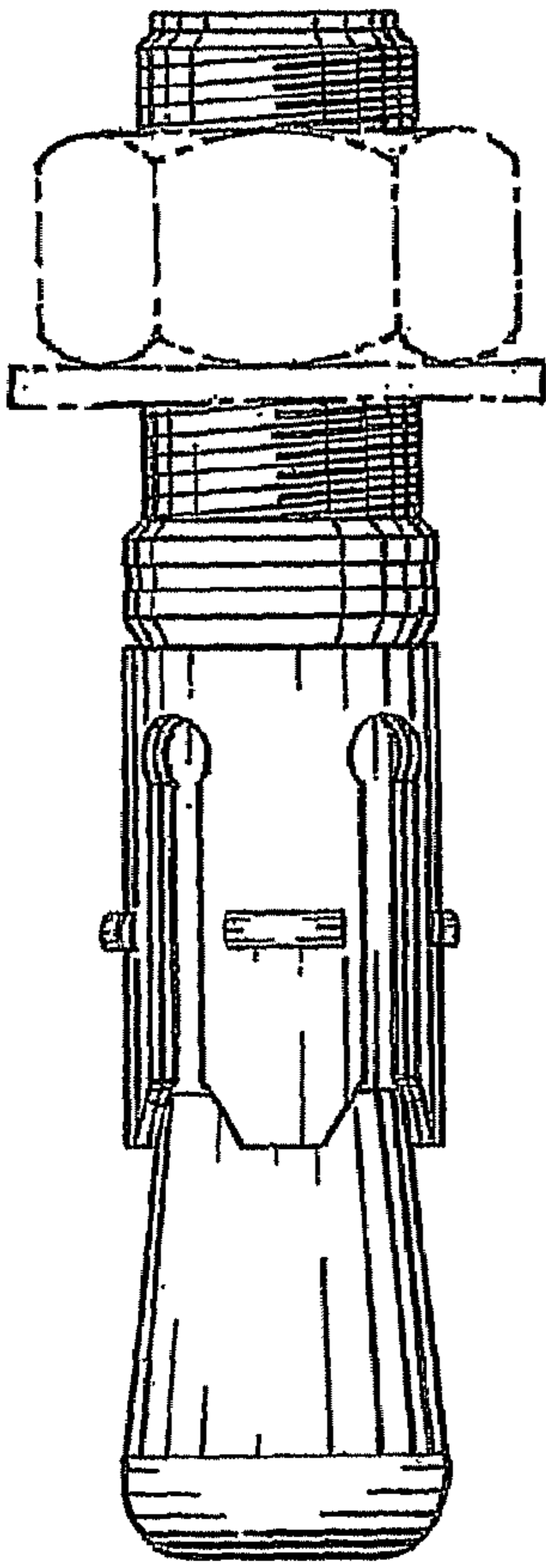


FIG. 1

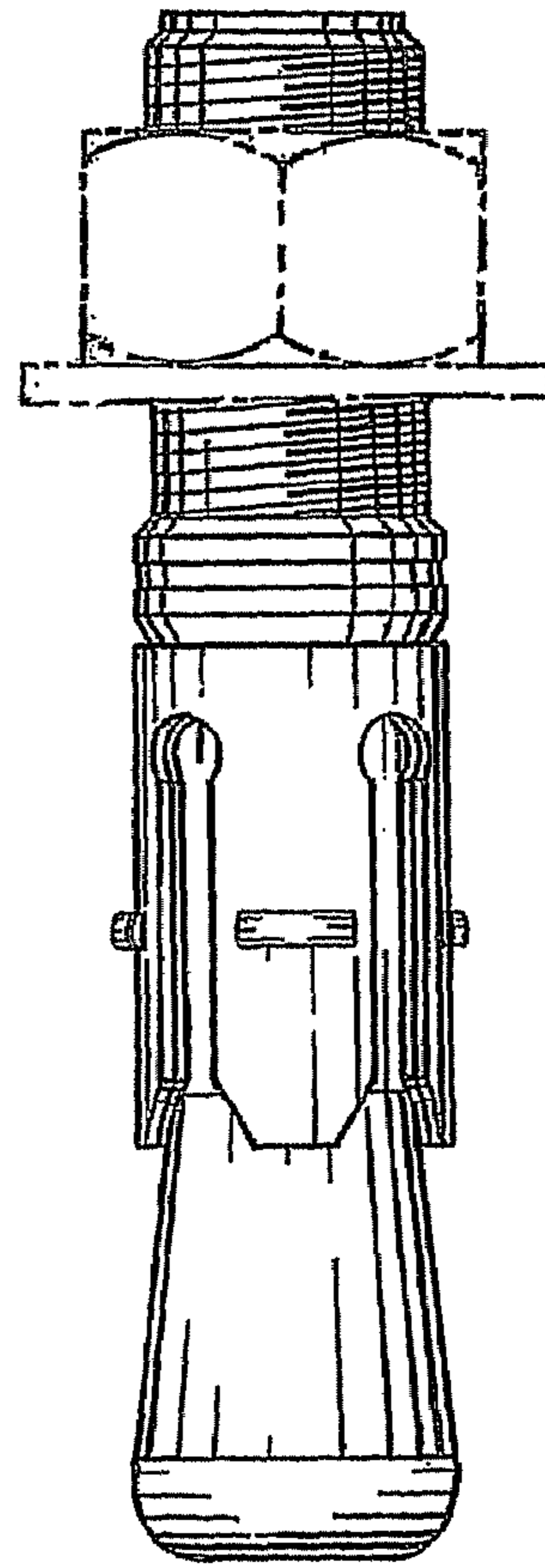


FIG. 2

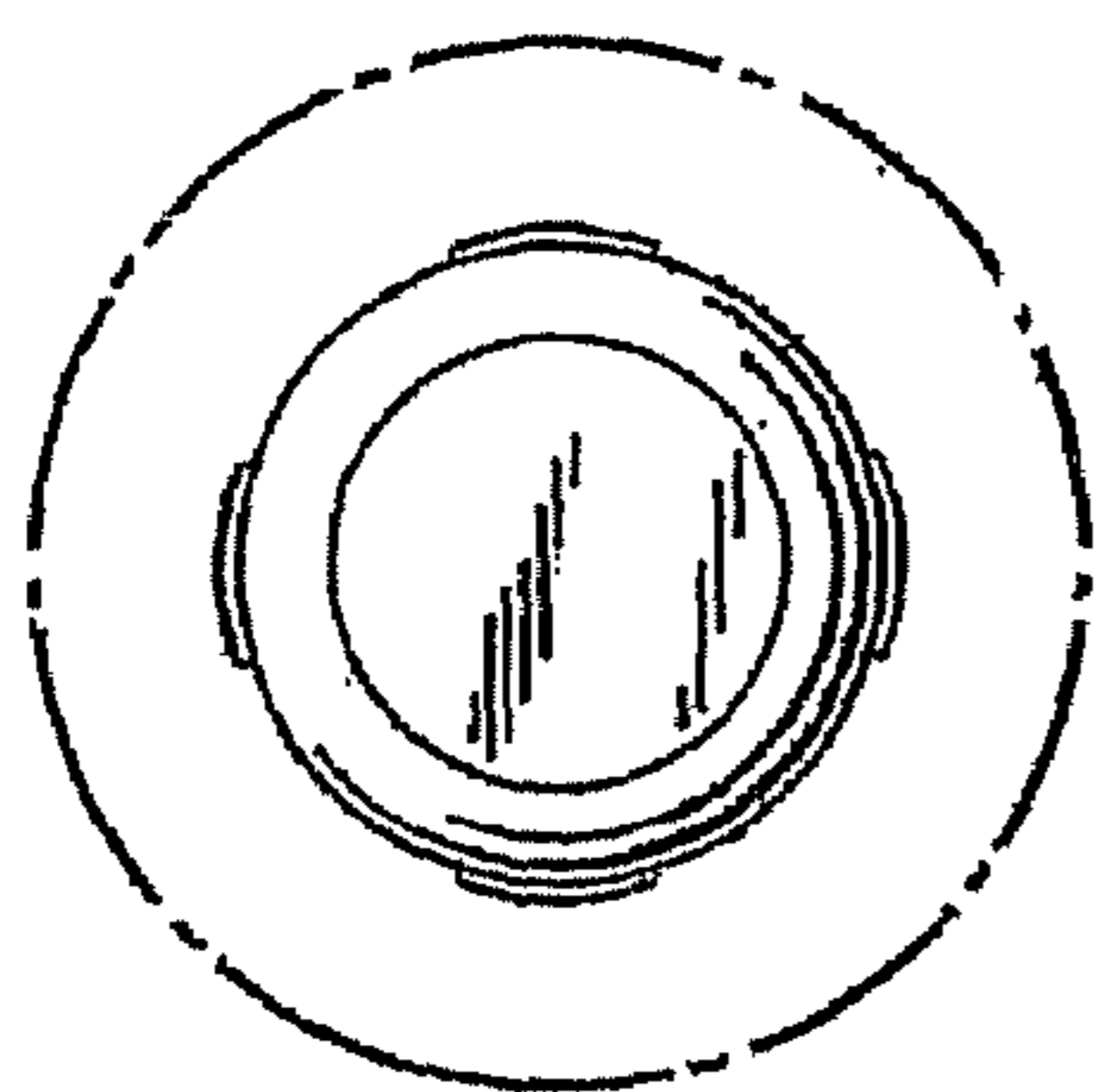


FIG. 3

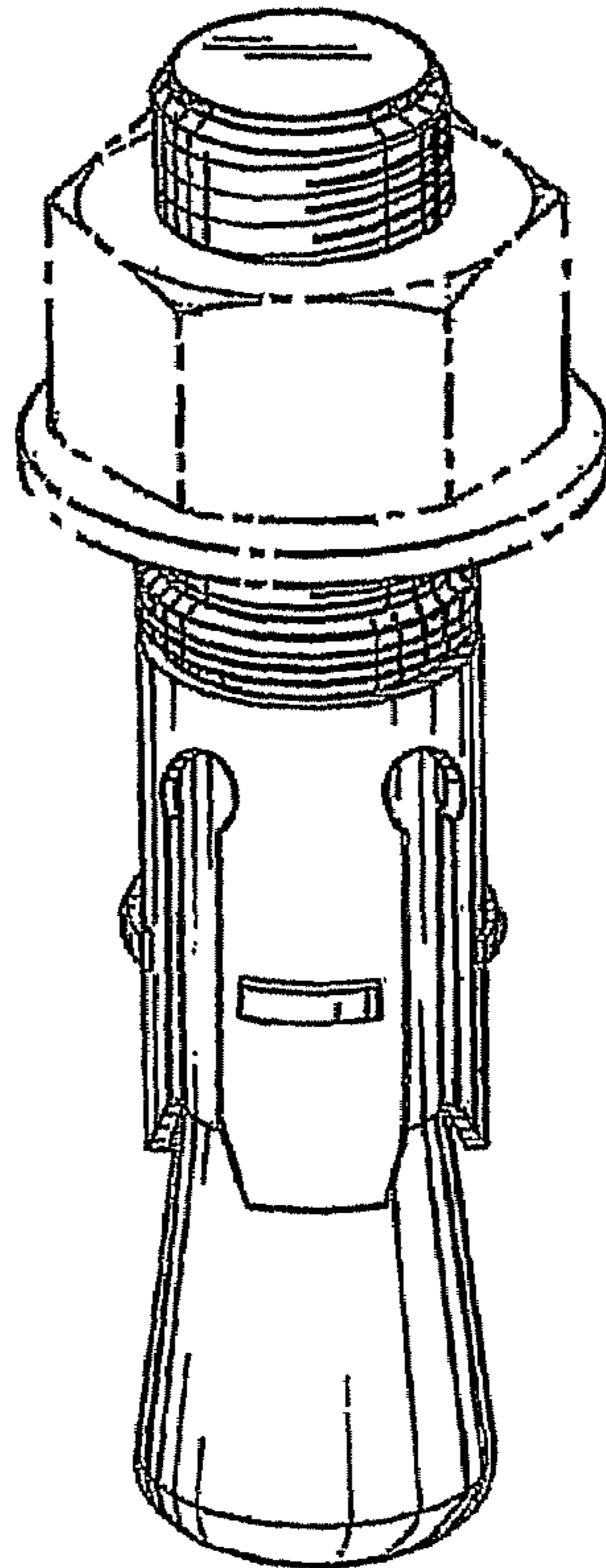


FIG. 5

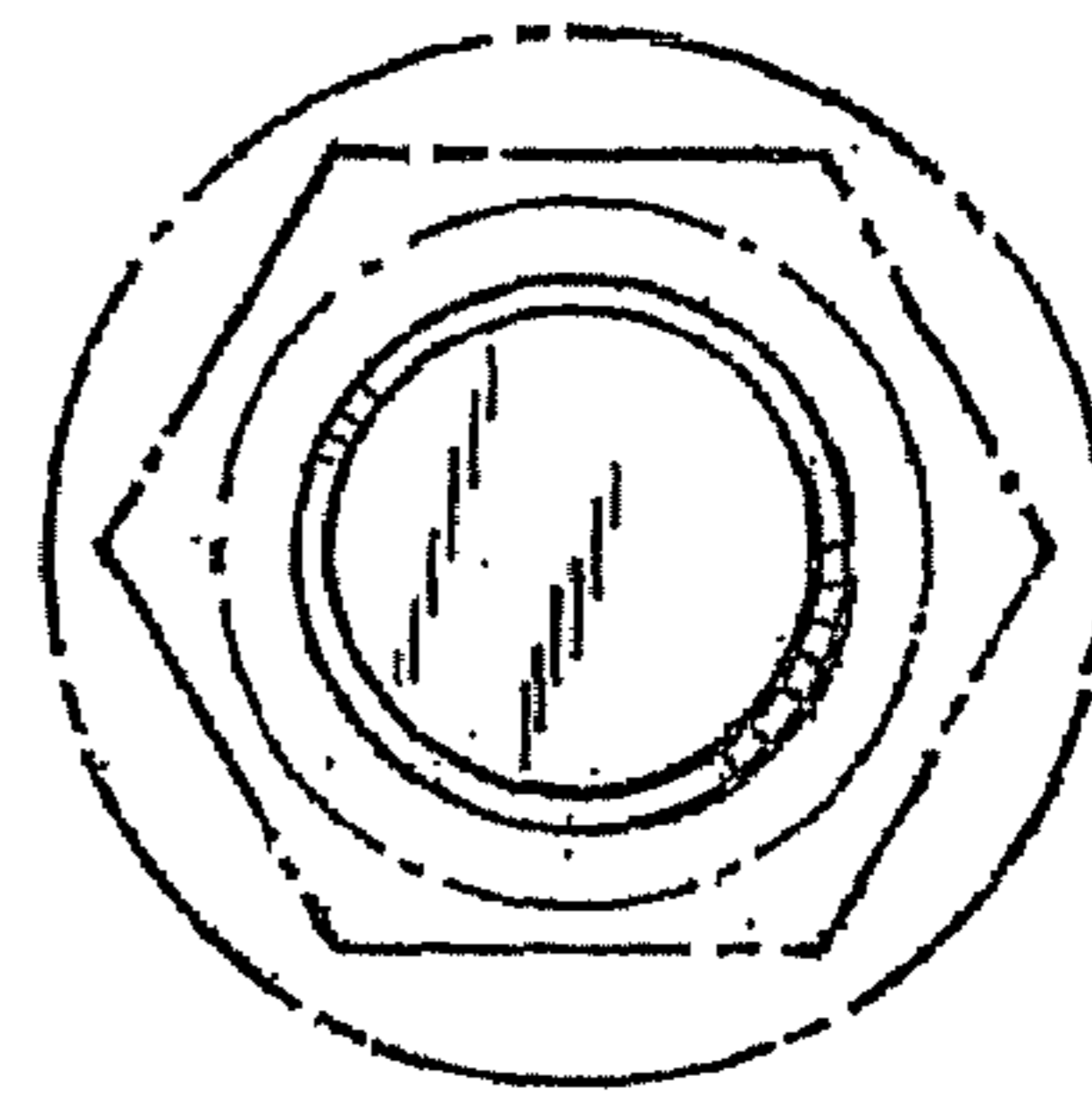


FIG. 4