

US00D548577S

(12) **United States Design Patent**  
**Shiffler et al.**

(10) **Patent No.: US D548,577 S**

(45) **Date of Patent: \*\* Aug. 14, 2007**

(54) **TWO PIECE SNAP-FIT CAP OR GLIDE**

(75) Inventors: **John W. Shiffler**, Chardon, OH (US);  
**William C. Rickard**, Chardon, OH (US)

(73) Assignee: **Shiffler Equipment Sales, Inc.**,  
Chardon, OH (US)

(\*\*) Term: **14 Years**

(21) Appl. No.: **29/249,888**

(22) Filed: **Oct. 25, 2006**

(51) **LOC (8) Cl.** ..... **08-05**

(52) **U.S. Cl.** ..... **D8/376**

(58) **Field of Classification Search** ..... D8/376,  
D8/350, 352, 301, 307, 310, 312, 319, 320,  
D8/377, 378; D6/524, 550, 552, 553, 525;  
D14/447; 138/89; 211/105.1, 105.5, 105.6,  
211/86.01, 87.01; 137/801; 292/357; 248/466;  
428/28; 16/110.1, 414, 417, 441  
See application file for complete search history.

(56) **References Cited**

**U.S. PATENT DOCUMENTS**

D260,074	S	*	8/1981	Lewis	.....	D8/376
D268,846	S	*	5/1983	Jolliffe	.....	D18/12
D321,468	S	*	11/1991	Reid	.....	D8/352
D326,027	S	*	5/1992	Estes	.....	D6/553
D335,231	S	*	5/1993	Bengtson	.....	D6/524
5,928,763	A	*	7/1999	Howie, Jr.	.....	428/172
D422,825	S	*	4/2000	Hoffmann	.....	D6/552
D431,139	S	*	9/2000	Chen	.....	D6/524
6,189,573	B1	*	2/2001	Ziehm	.....	138/89
D456,026	S	*	4/2002	Goto	.....	D14/447
D465,989	S	*	11/2002	Carsello et al.	.....	D8/352

D494,052	S	*	8/2004	Winter et al.	.....	D8/376
D494,455	S	*	8/2004	Winter et al.	.....	D8/376
D513,166	S	*	12/2005	Huang	.....	D8/350
D525,517	S	*	7/2006	Baldwin	.....	D8/310
D528,838	S	*	9/2006	Berberet et al.	.....	D6/550

**OTHER PUBLICATIONS**

“New! Snap-N-Loc Glide Cap”; Glides and Casters, a Division of LCS Products, Inc., 4371 Northlake Blvd., Suite 367, Palm Beach Gardens, Florida 33410; 2006.

\* cited by examiner

*Primary Examiner*—T. Chase Nelson

*Assistant Examiner*—Barbara Blanton Lohr

(74) *Attorney, Agent, or Firm*—Rankin, Hill, Porter & Clark LLP

(57) **CLAIM**

The ornamental design for a two piece snap-fit cap or glide, as shown and described.

**DESCRIPTION**

FIG. 1 is a perspective view showing the two piece snap-fit cap or glide according to the present invention in an assembled condition;

FIG. 2 is a top plan view thereof;

FIG. 3 is a front side elevational view thereof;

FIG. 4 is a right side elevational view thereof;

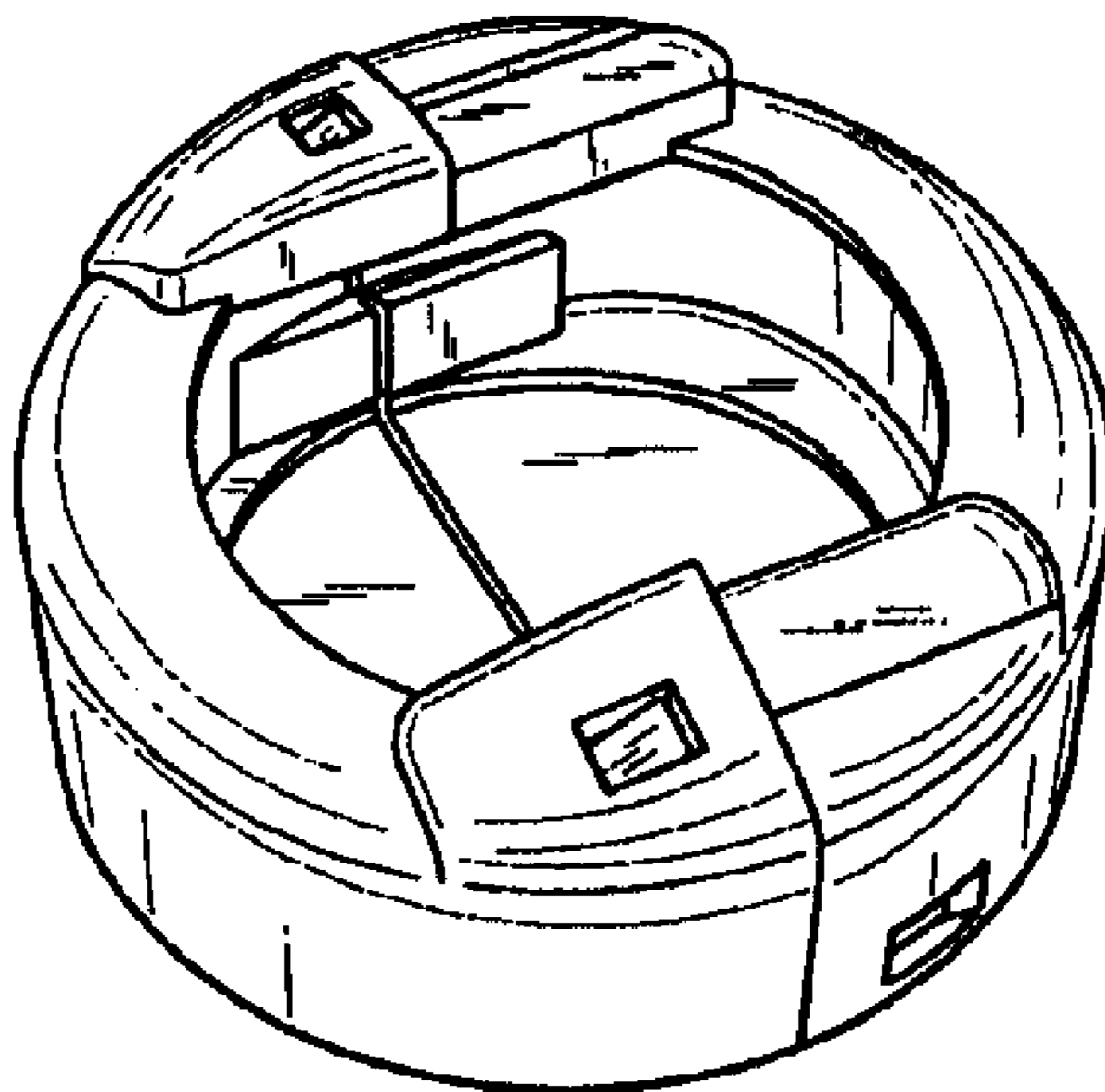
FIG. 5 is a rear side elevational view thereof;

FIG. 6 is a left side elevational view thereof;

FIG. 7 is a bottom plan view thereof; and,

FIG. 8 is an exploded perspective view of the two piece snap-fit cap or glide in an unassembled condition.

**1 Claim, 2 Drawing Sheets**



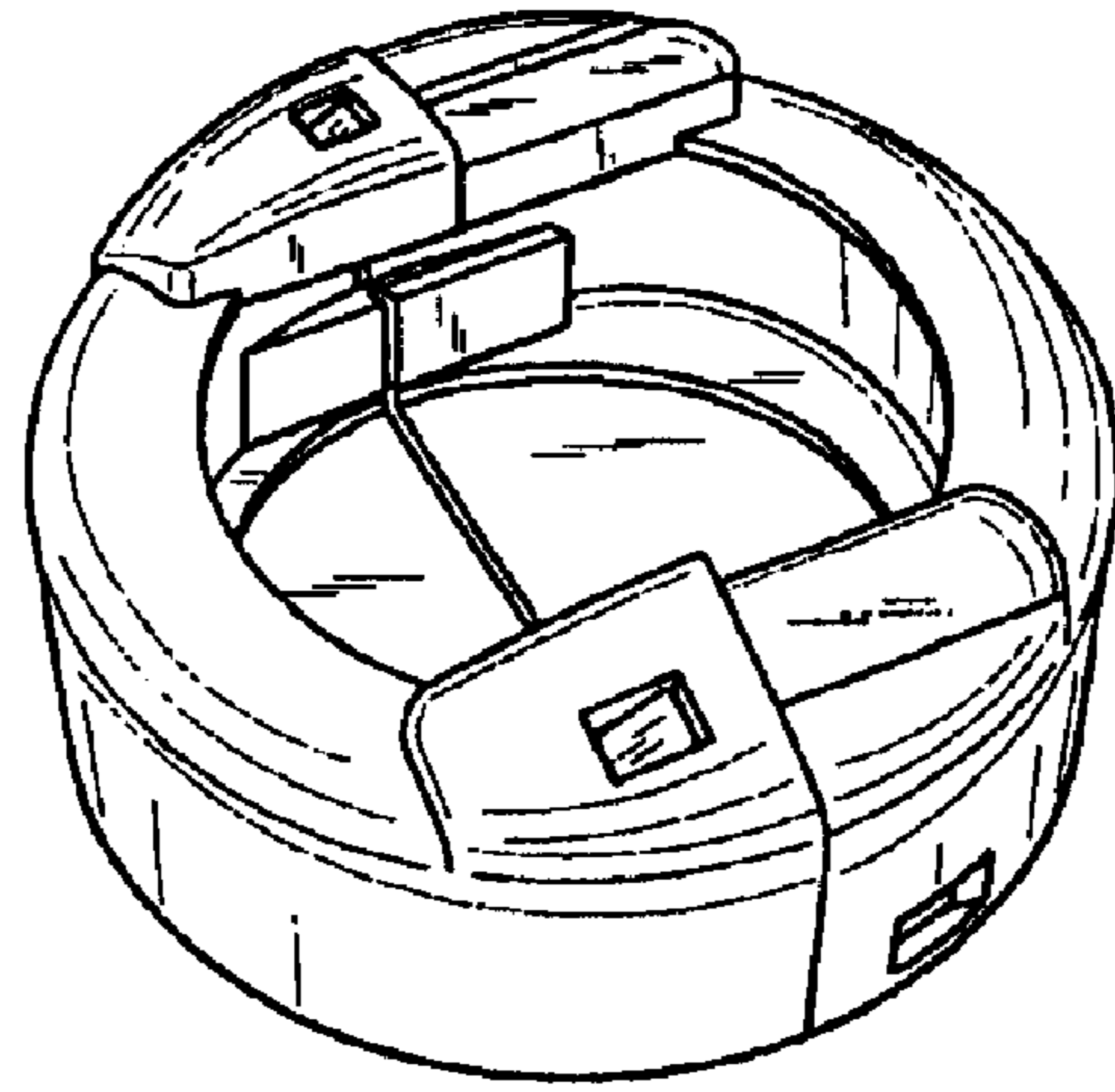


FIG. 1

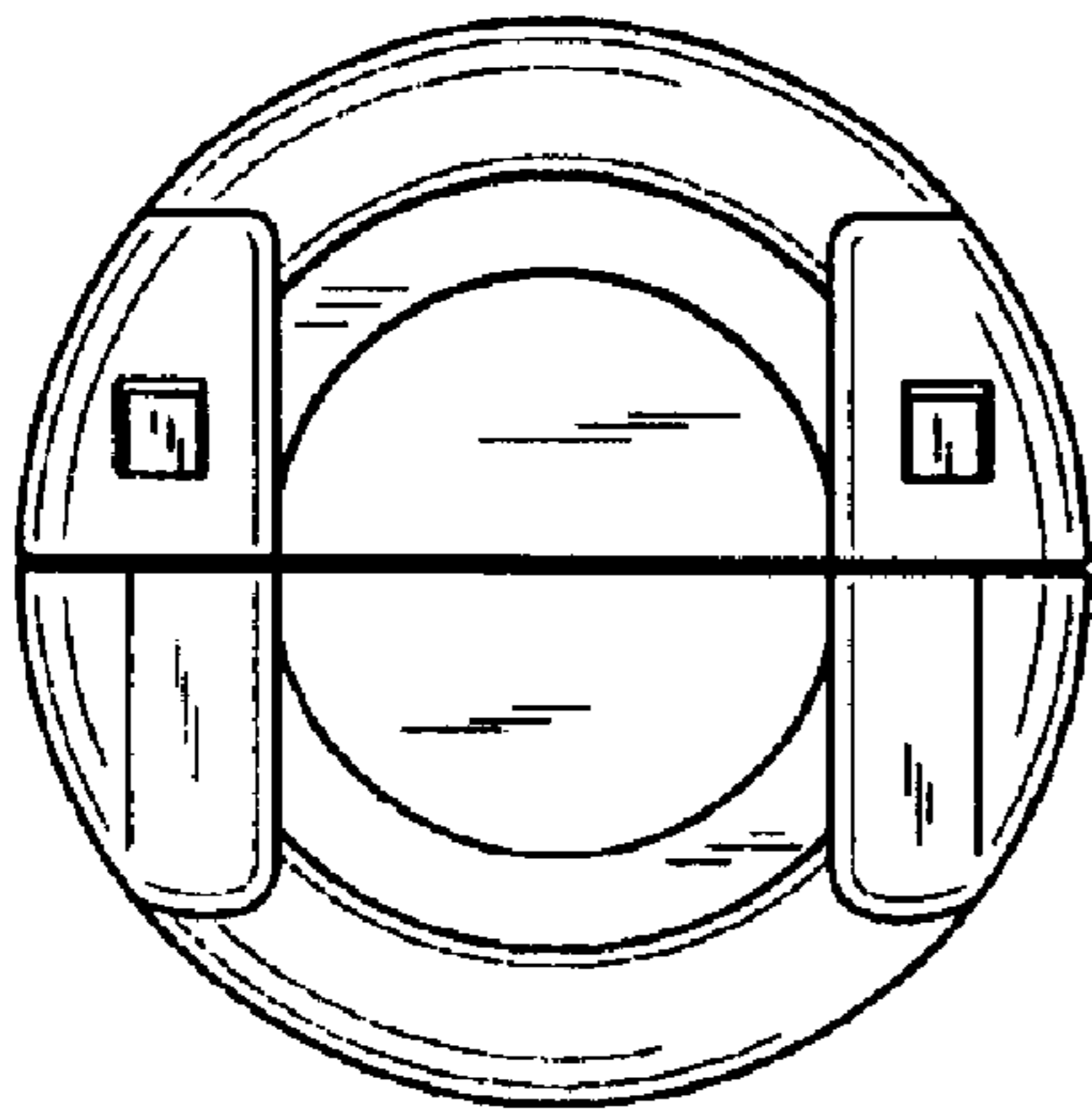


FIG. 2

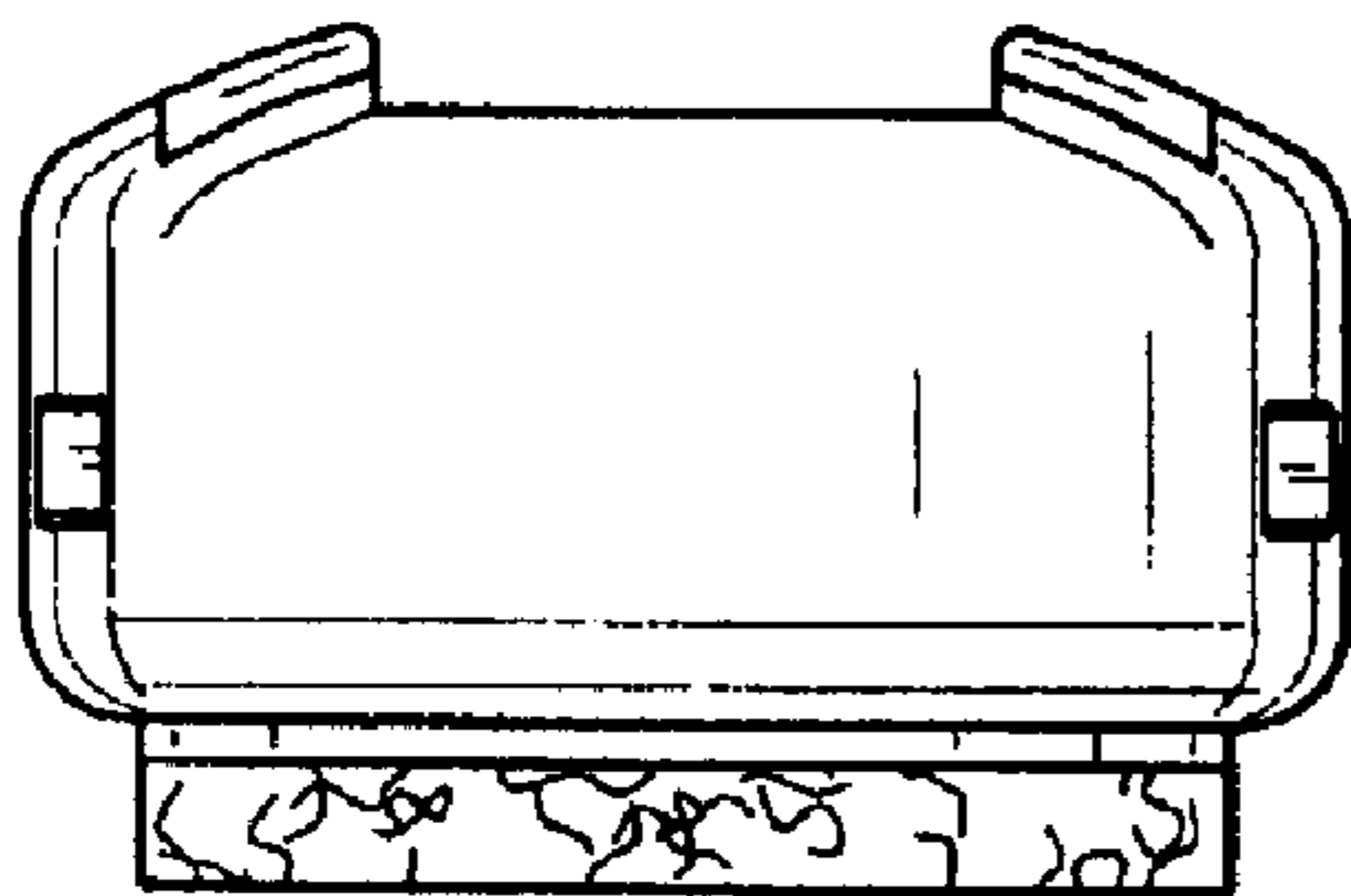


FIG. 3

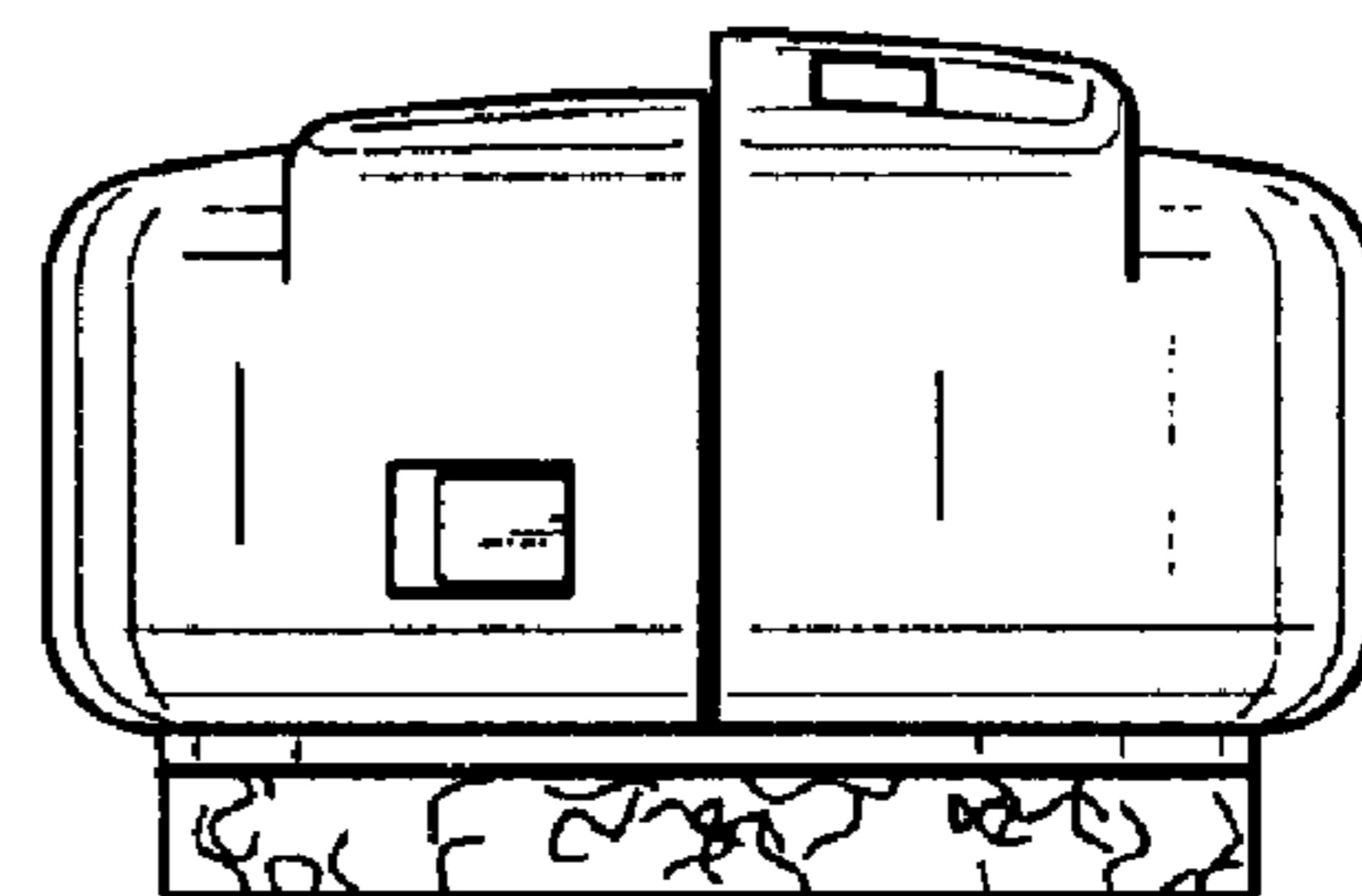


FIG. 4

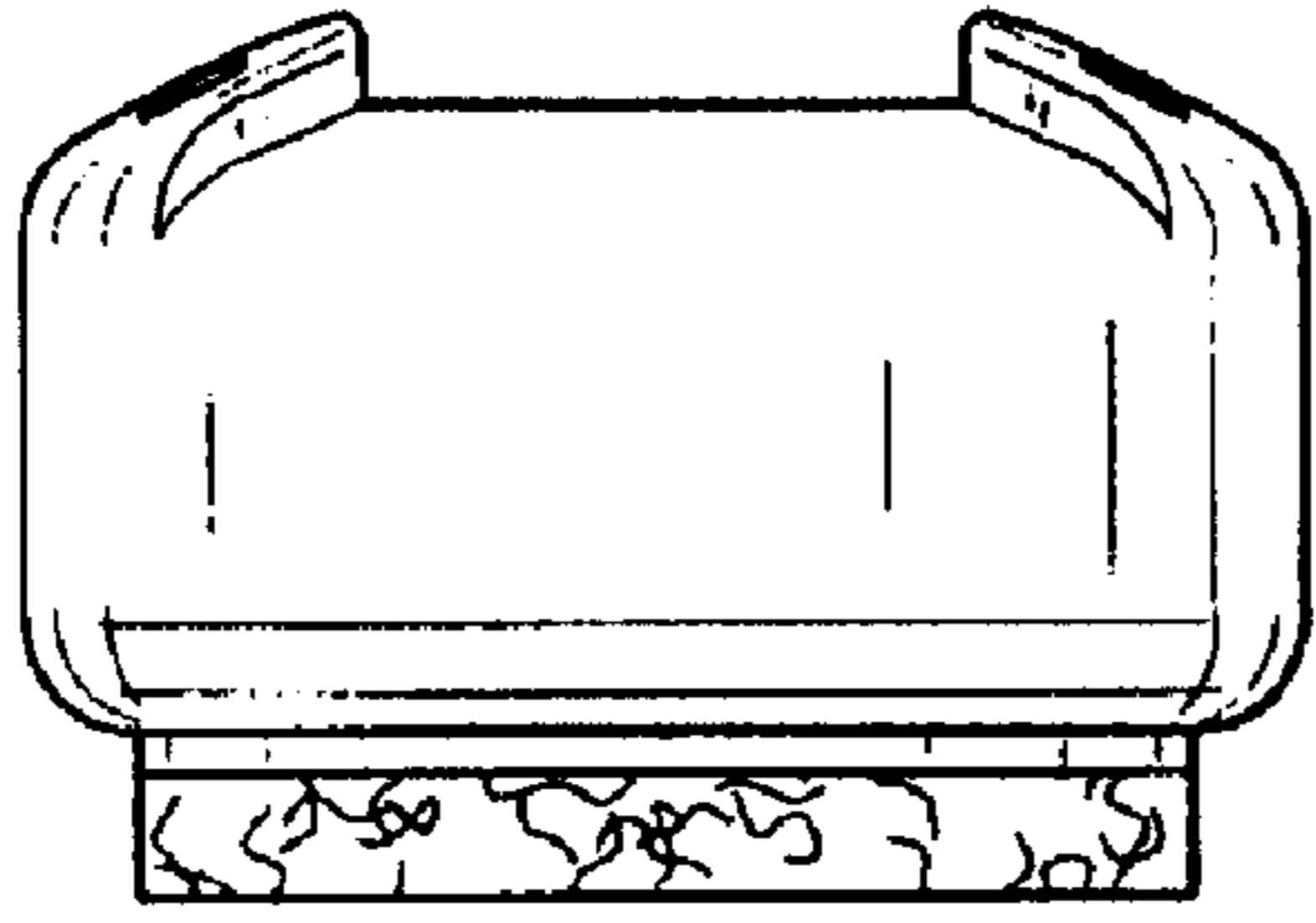


FIG. 5

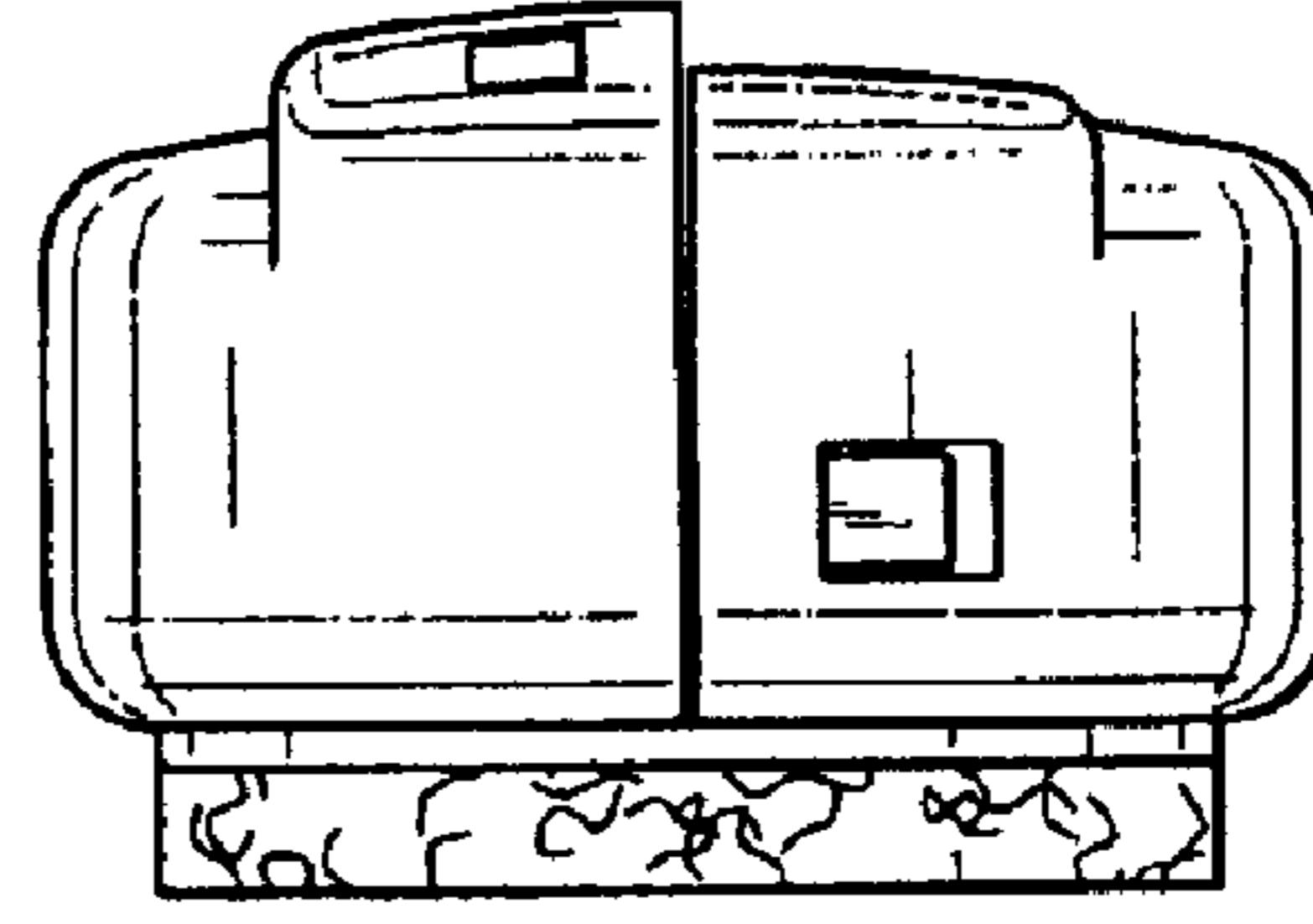


FIG. 6

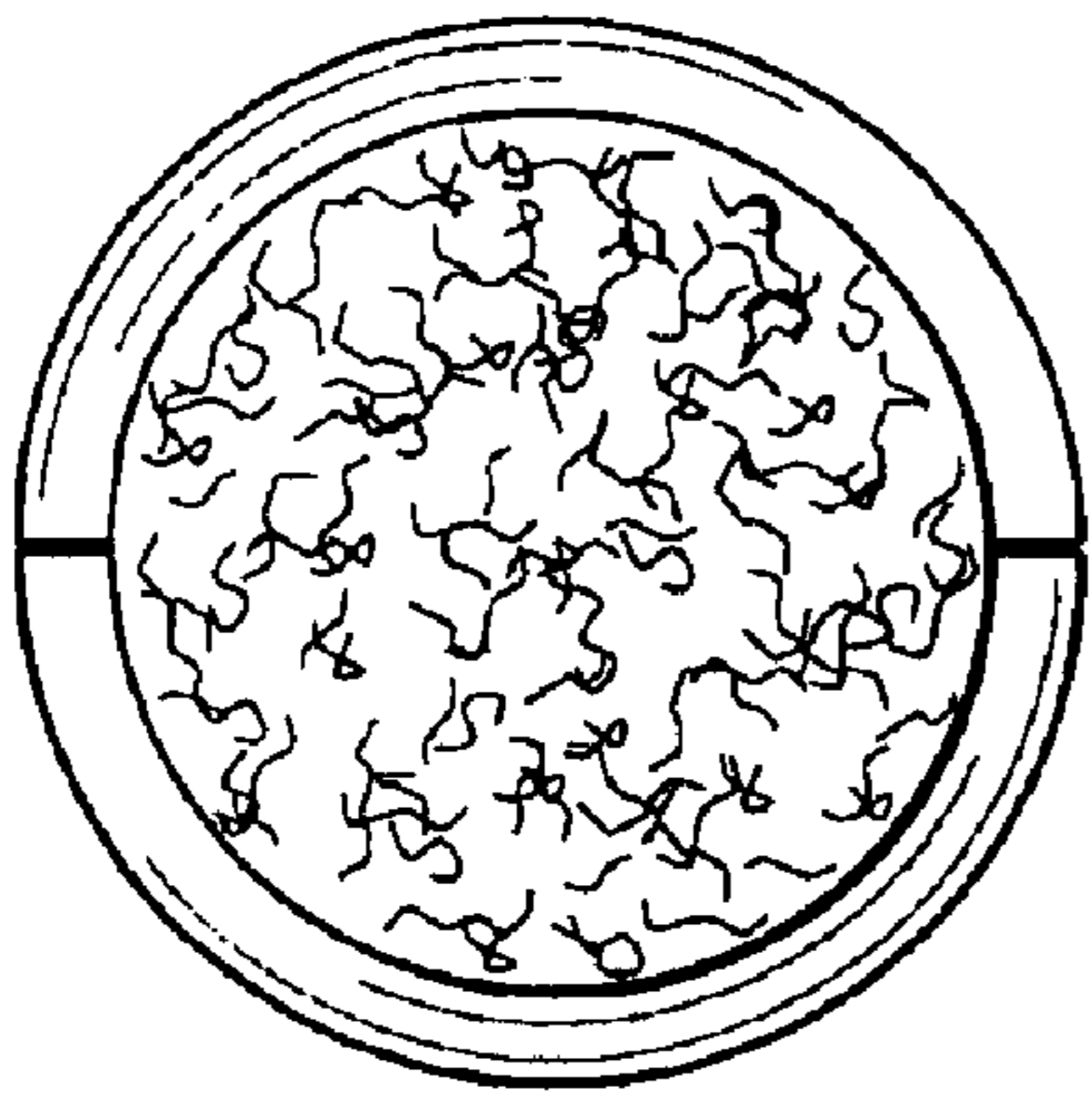


FIG. 7

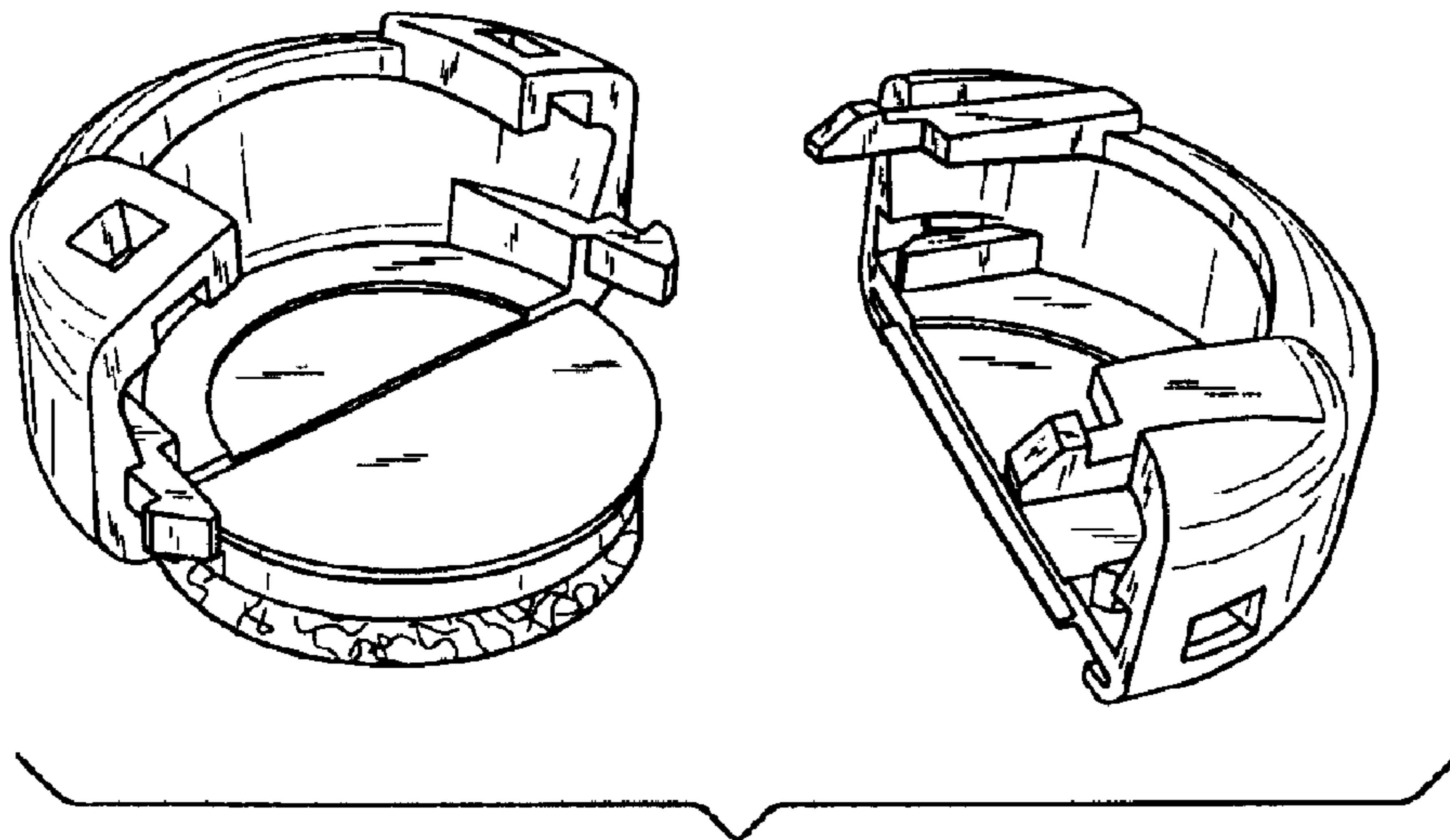


FIG. 8