

US00D548574S

(12) **United States Design Patent**
Harwanko

(10) **Patent No.:** **US D548,574 S**

(45) **Date of Patent:** **** Aug. 14, 2007**

(54) **CURTAIN HOOK**

(75) Inventor: **Jeffrey Harwanko**, Wilmington, DE
(US)

(73) Assignee: **Zenith Products Corp.**, New Castle,
DE (US)

(**) Term: **14 Years**

(21) Appl. No.: **29/241,978**

(22) Filed: **Nov. 3, 2005**

(51) **LOC (8) Cl.** **08-05**

(52) **U.S. Cl.** **D8/367**

(58) **Field of Classification Search** D8/367,
D8/373; 24/716, 378.1; 16/87.2; 160/330
See application file for complete search history.

(56) **References Cited**

U.S. PATENT DOCUMENTS

- 2,805,457 A * 9/1957 Vaca 24/378.1
- D206,587 S * 1/1967 Nathanson D8/367
- D225,612 S * 12/1972 Nathanson D8/367
- D344,670 S * 3/1994 Kearns D8/367

- 5,586,375 A * 12/1996 Cooperman et al. 24/716
- D441,276 S * 5/2001 Ho D8/367
- D479,794 S * 9/2003 Snell D8/367
- D505,315 S * 5/2005 Snell D8/367

* cited by examiner

Primary Examiner—Holly H. Baynham

(74) *Attorney, Agent, or Firm*—Akin Gump Strauss Hauer &
Feld LLP

(57) **CLAIM**

The ornamental design for a curtain hook, as shown and
described.

DESCRIPTION

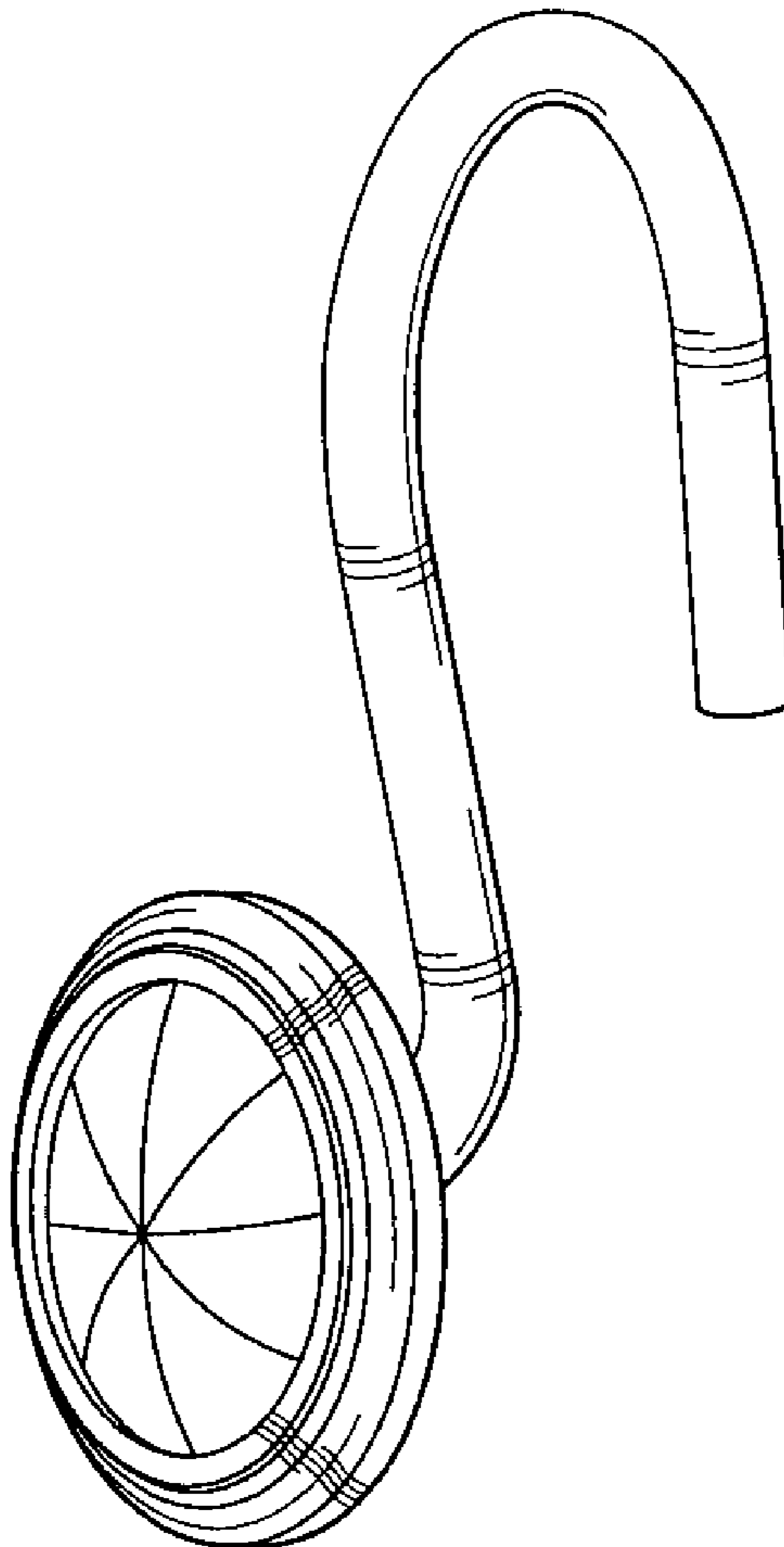
FIG. 1 is a perspective view of a curtain hook showing my
new design;

FIG. 2 is a left side view thereof, the opposite side being a
mirror image of the side shown;

FIG. 3 is a front elevational view thereof; and,

FIG. 4 is a top plan view thereof.

1 Claim, 2 Drawing Sheets



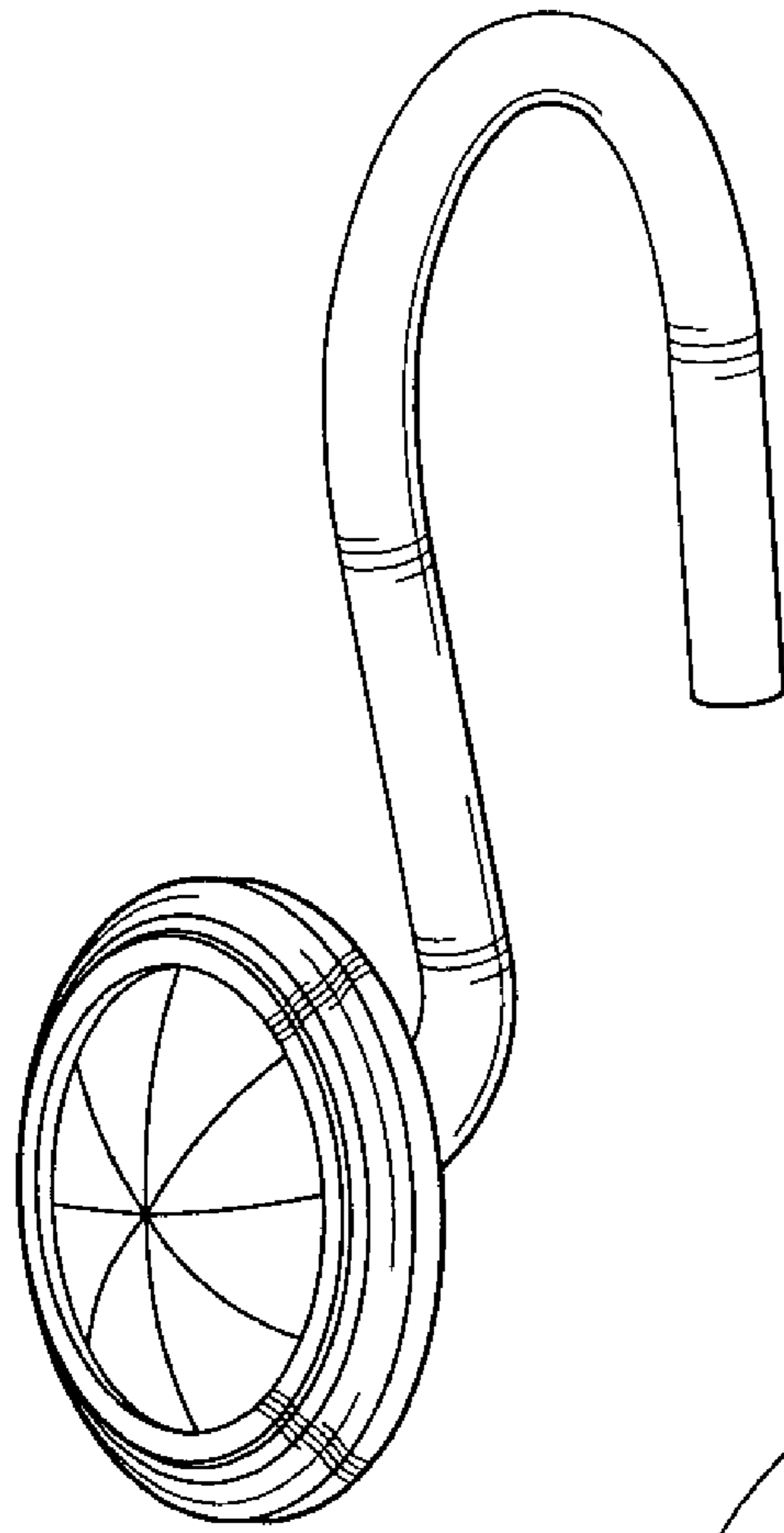


Fig-1

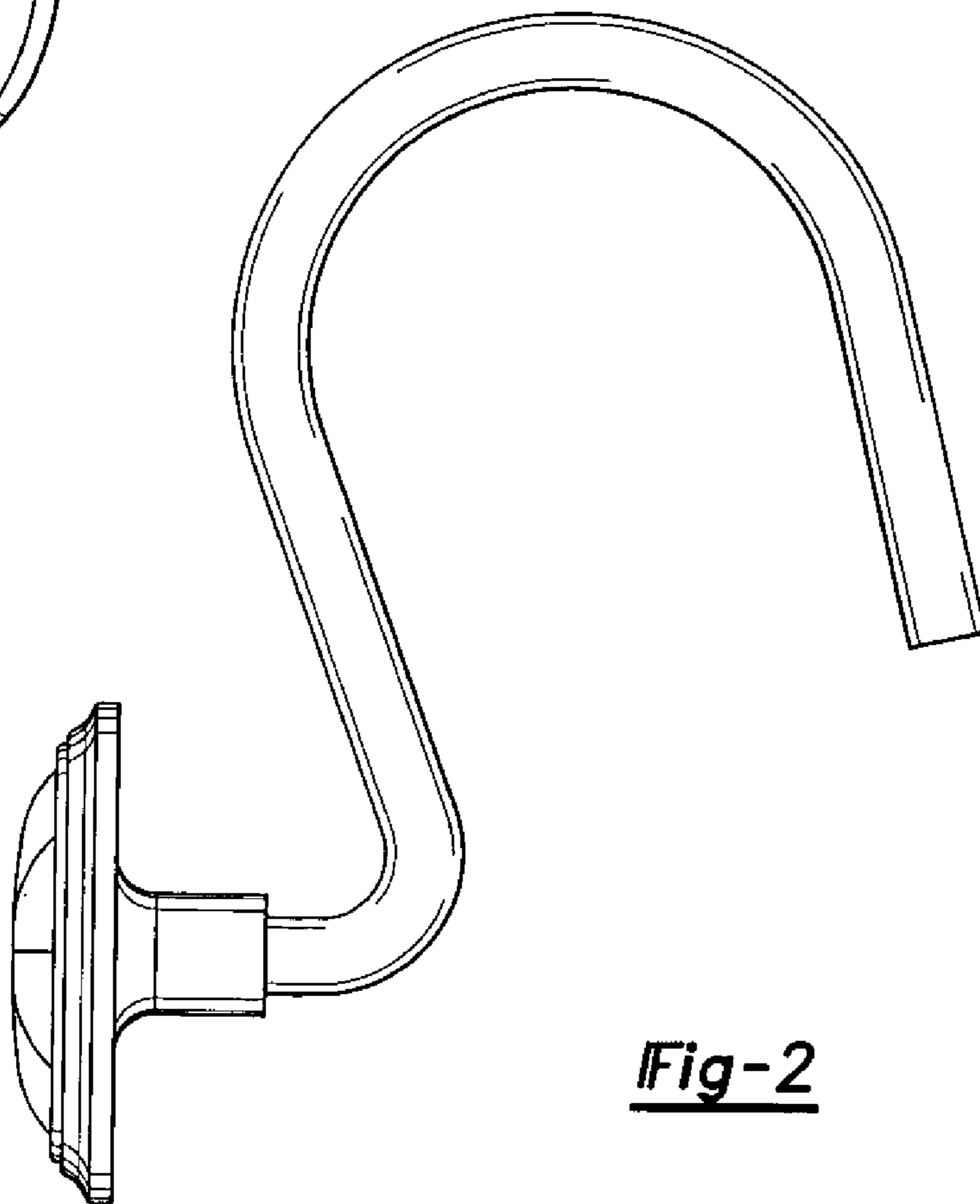


Fig-2

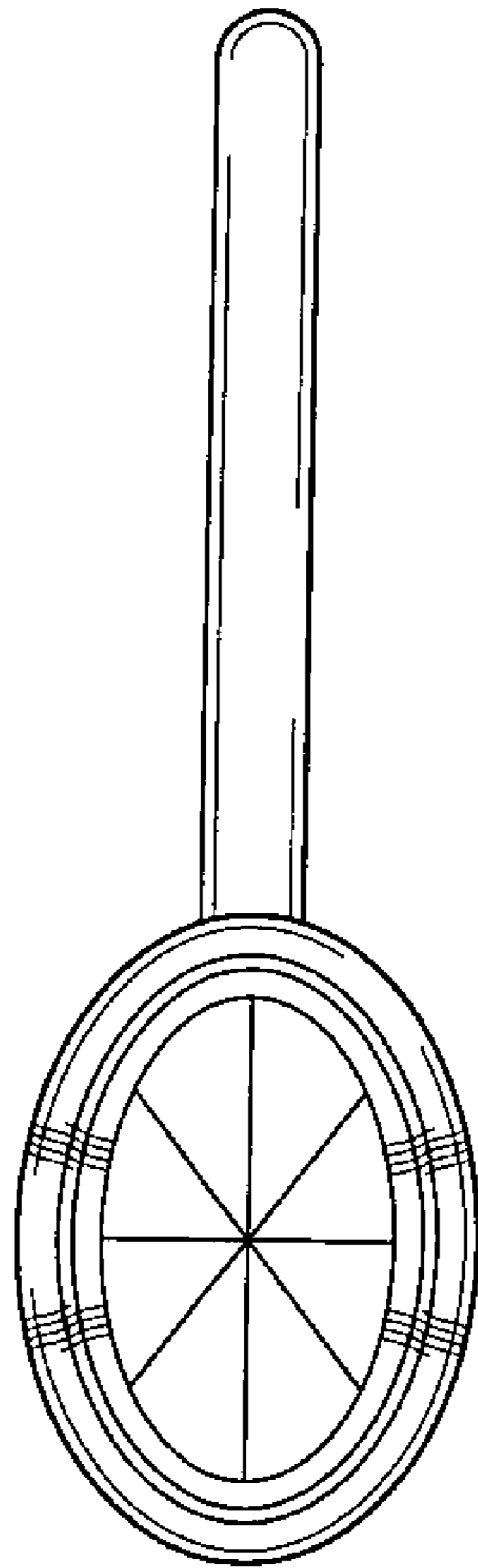


Fig-3

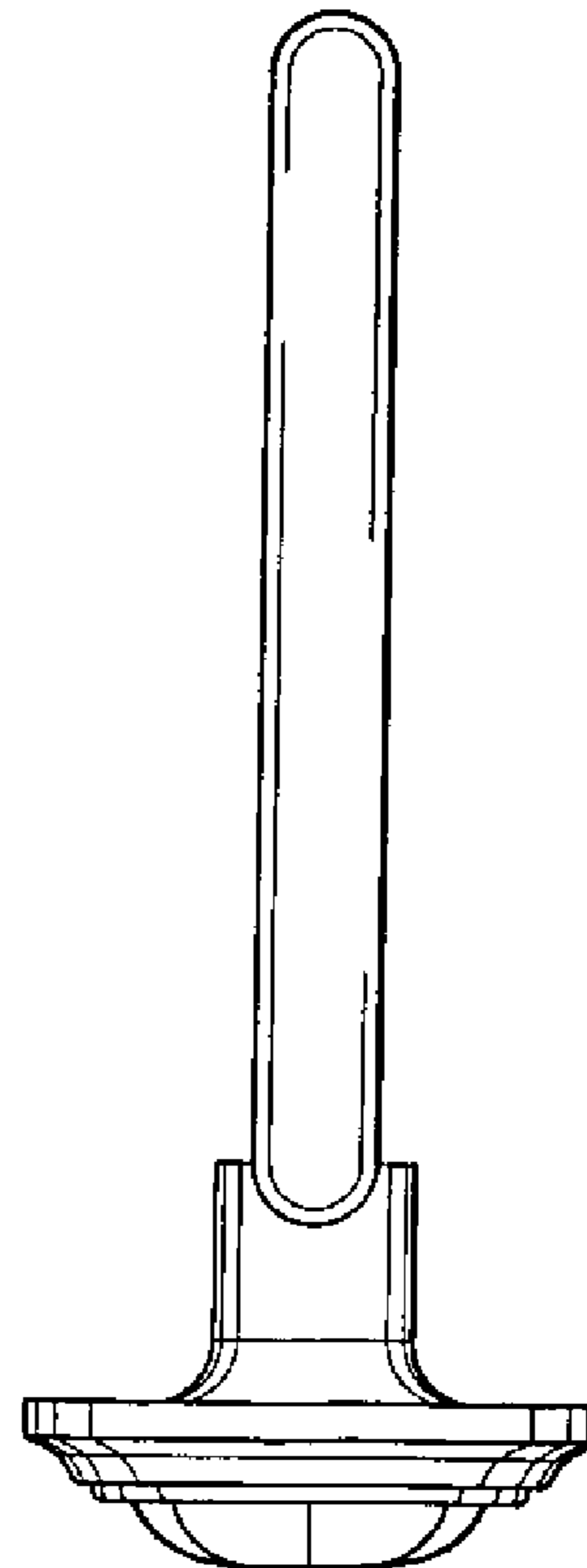


Fig-4