

US00D548573S

(12) **United States Design Patent**
Bascom et al.

(10) **Patent No.:** **US D548,573 S**

(45) **Date of Patent:** **** Aug. 14, 2007**

(54) **LEVEL MOUNT**

5,799,404 A * 9/1998 Payne 33/370
5,819,425 A * 10/1998 Payne 33/370

(75) Inventors: **James P. Bascom**, Bel Air, MD (US);
John K. Horky, Lutherville, MD (US);
Daniel N. Lopano, Towson, MD (US);
John C. Wenig, Bel Air, MD (US)

* cited by examiner

Primary Examiner—Holly H. Baynham
(74) *Attorney, Agent, or Firm*—Joseph F. Key; Adan Ayala

(73) Assignee: **Black & Decker Inc.**, Newark, DE
(US)

(57) **CLAIM**

The ornamental design for a level mount, as shown and described.

(**) Term: **14 Years**

(21) Appl. No.: **29/221,352**

DESCRIPTION

(22) Filed: **Jan. 13, 2005**

FIG. 1 is a perspective view of a level mount according to the invention.

(51) **LOC (8) Cl.** **08-05**

FIG. 2 is a front elevational view of the level mount.

(52) **U.S. Cl.** **D8/354**

FIG. 3 is a rear elevational view of the level mount.

(58) **Field of Classification Search** D8/354;
33/370

FIG. 4 is a left elevational view of the level mount.

FIG. 5 is a right elevational view of the level mount.

See application file for complete search history.

FIG. 6 is a top plan view of the level mount; and,

FIG. 7 is a bottom plan view of the level mount.

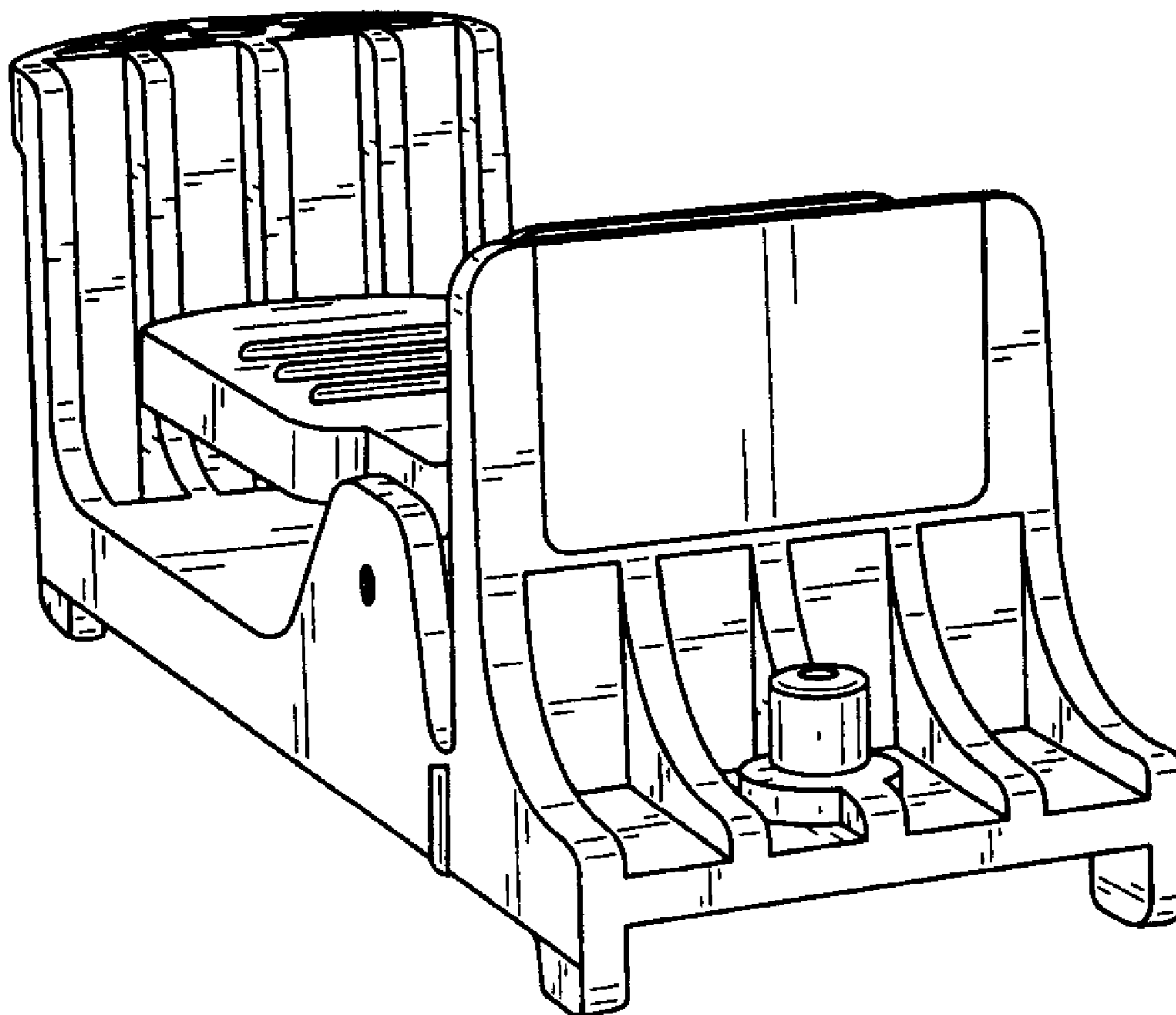
(56) **References Cited**

In the above drawings, any wording or numerals shown therein does not form a part of the invention.

U.S. PATENT DOCUMENTS

D244,508 S * 5/1977 Neece D8/354
5,581,900 A * 12/1996 Payne 33/370
5,749,151 A * 5/1998 Scott et al. 33/370

1 Claim, 7 Drawing Sheets



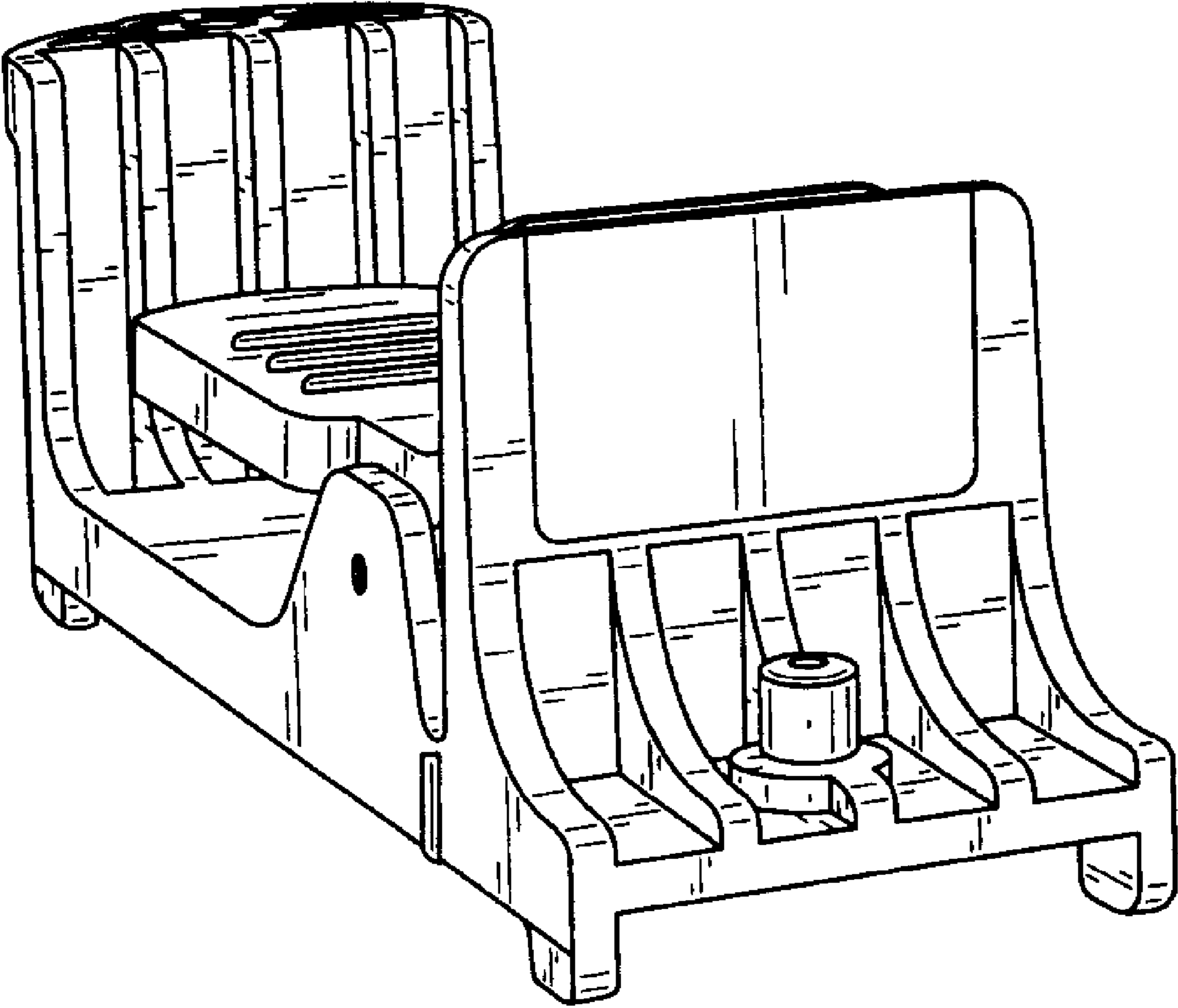


FIG. 1

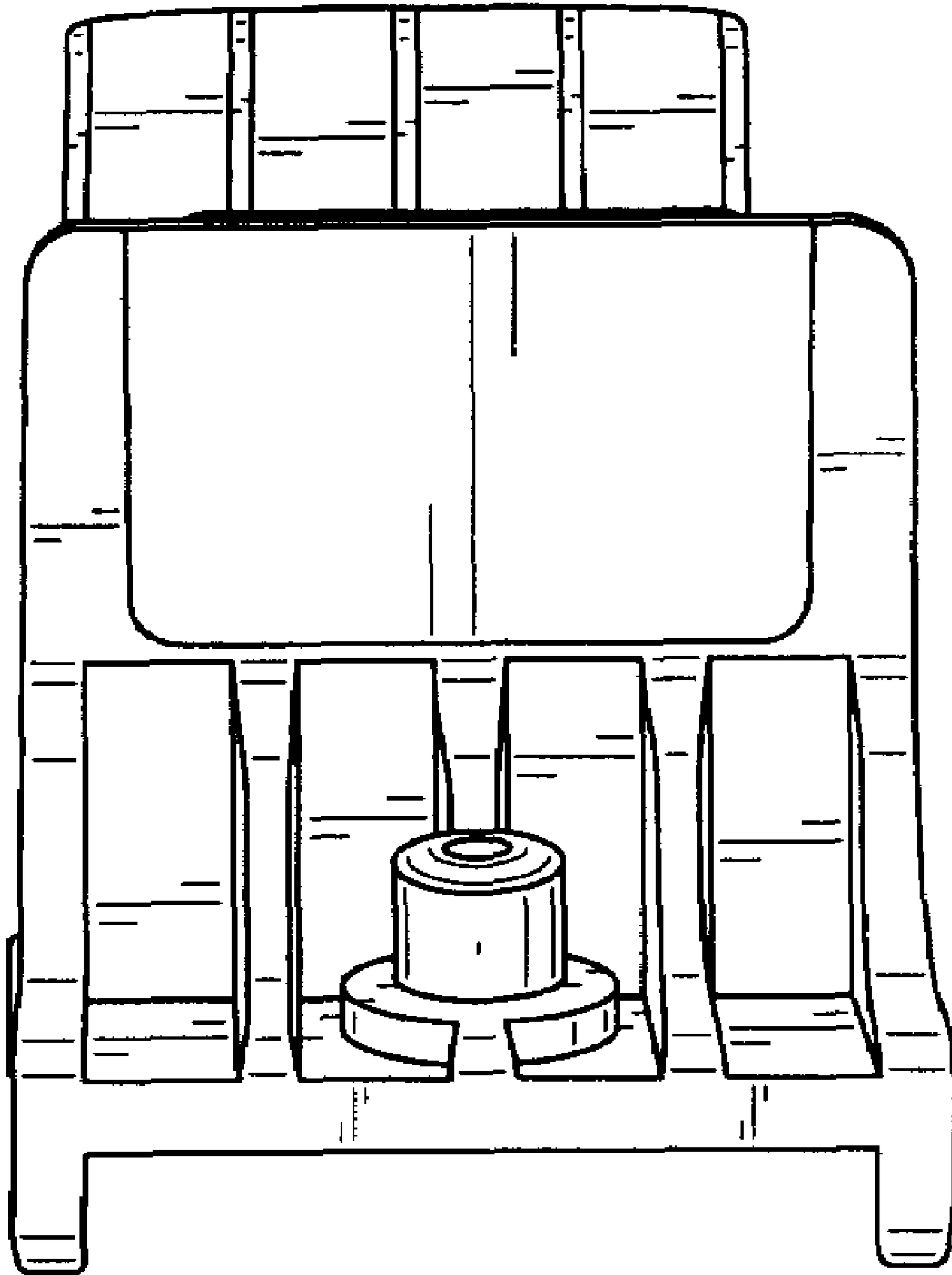


FIG. 2

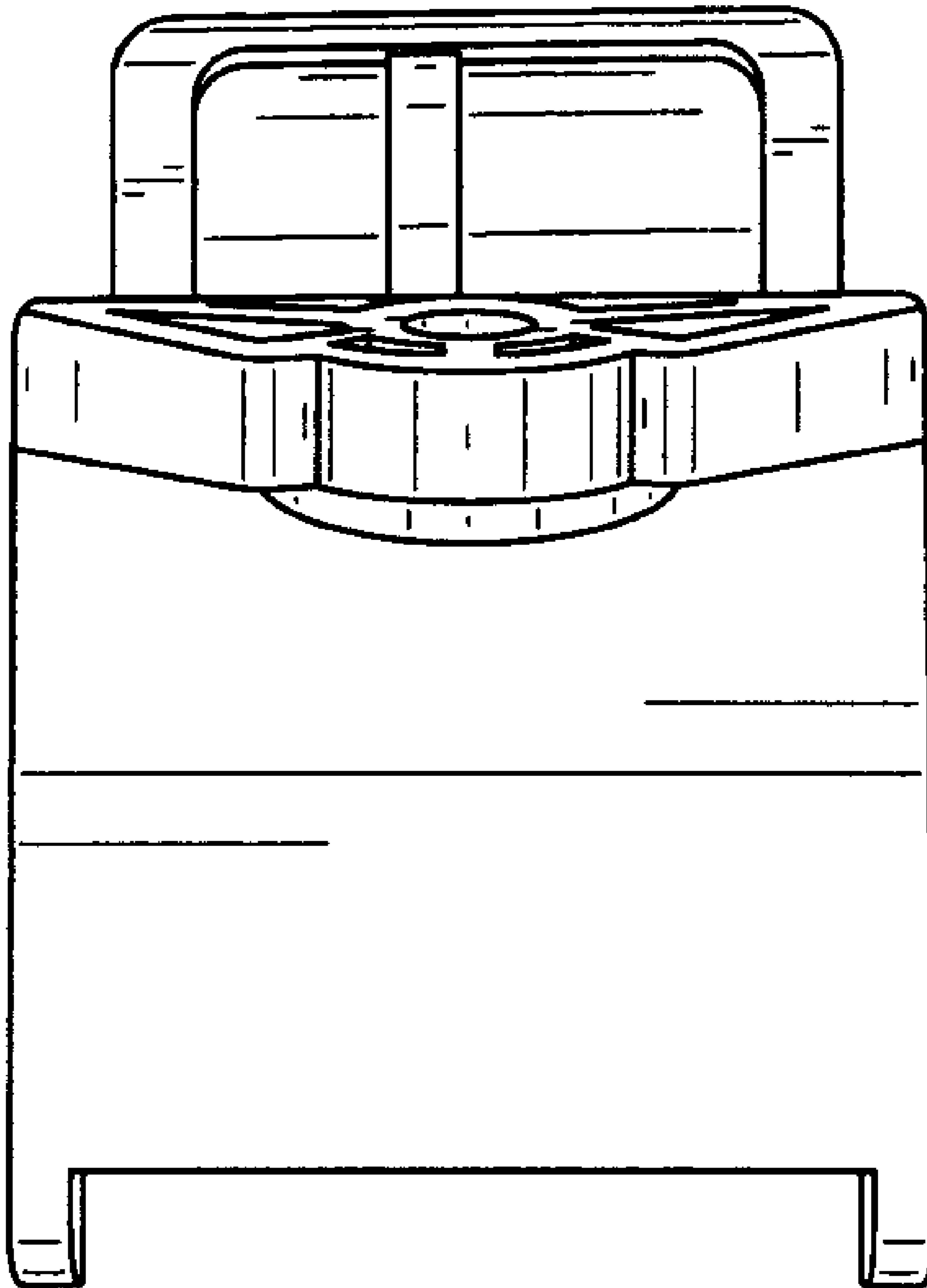


FIG. 3

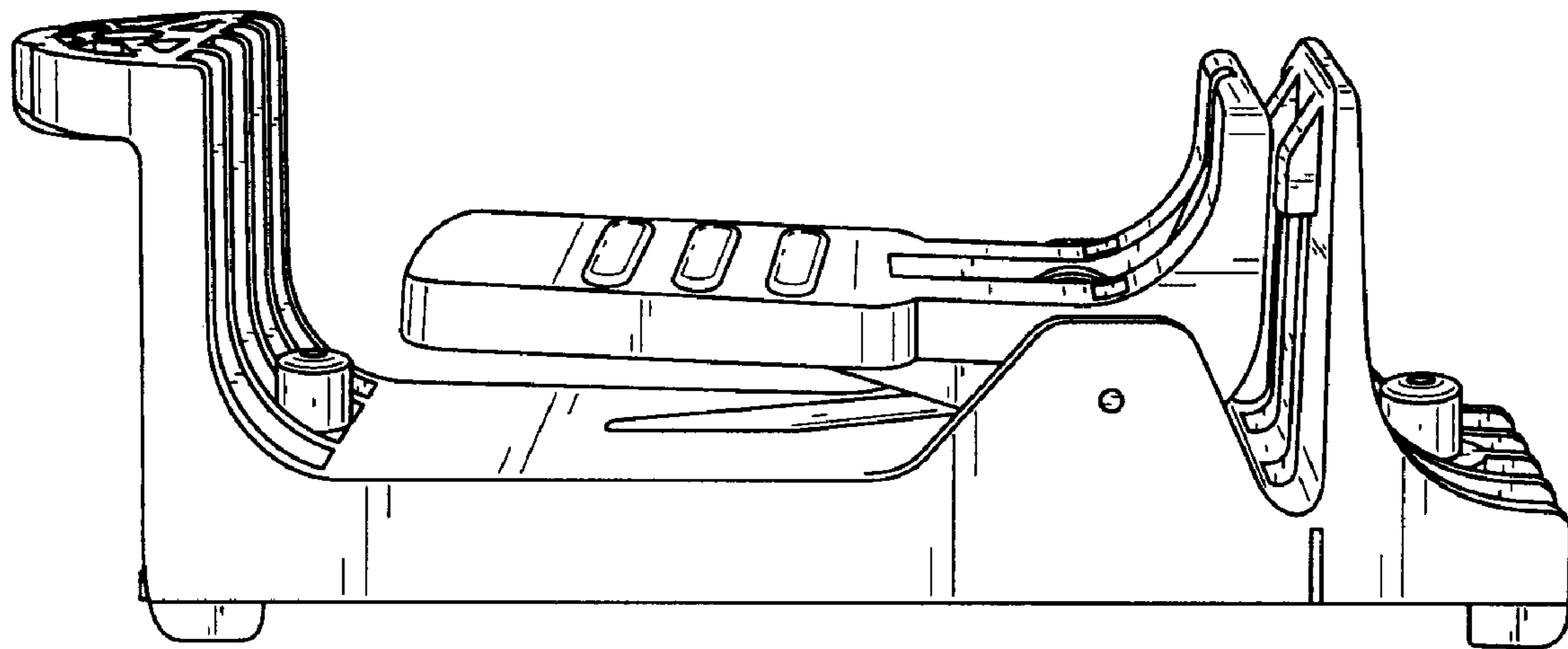


FIG. 4

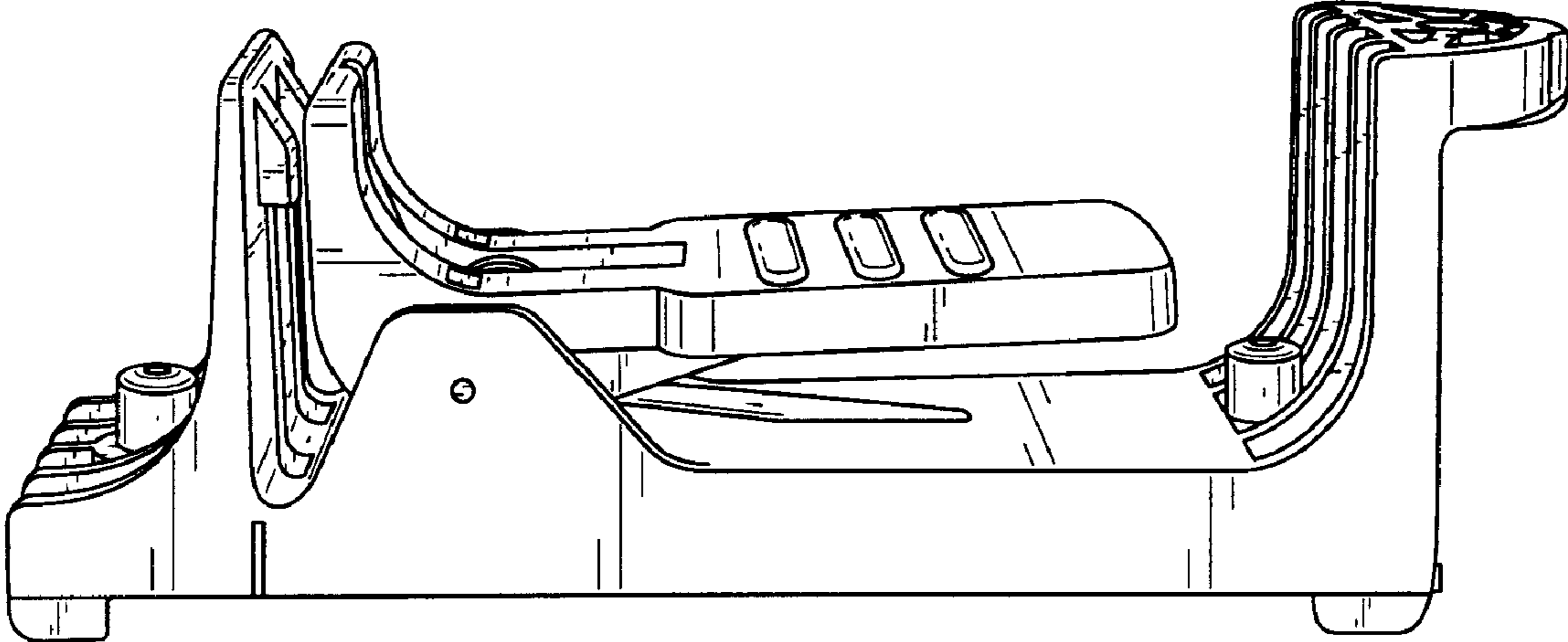


FIG. 5

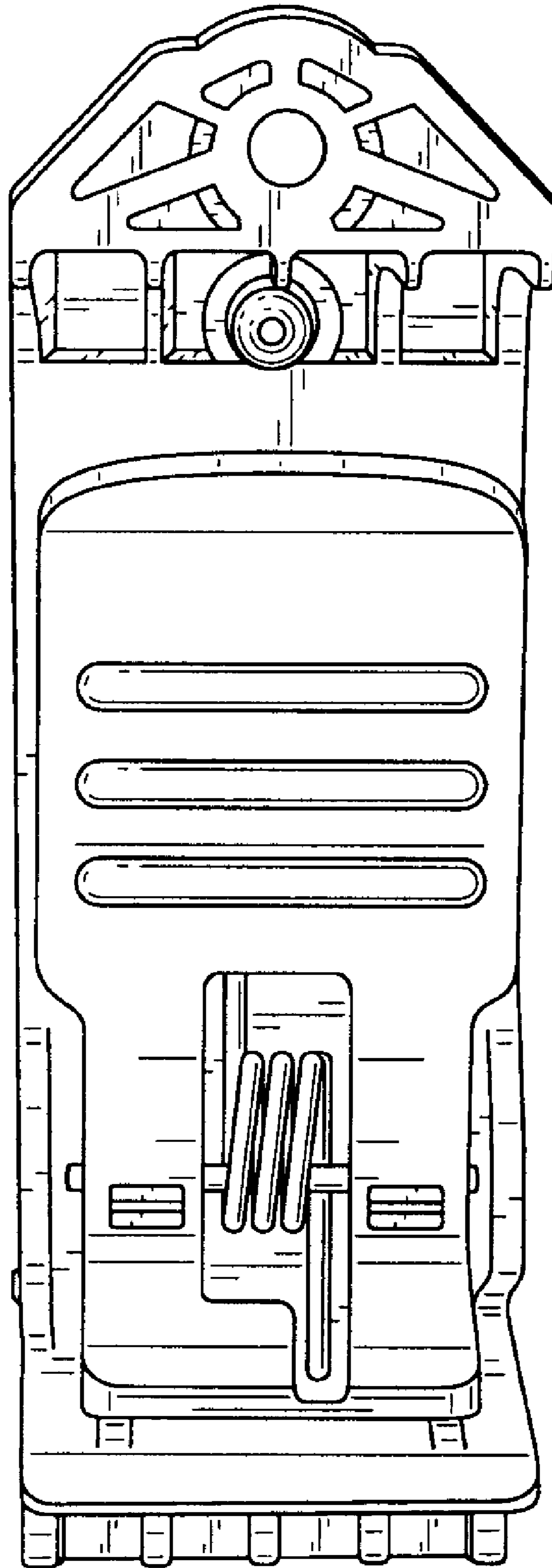


FIG. 6

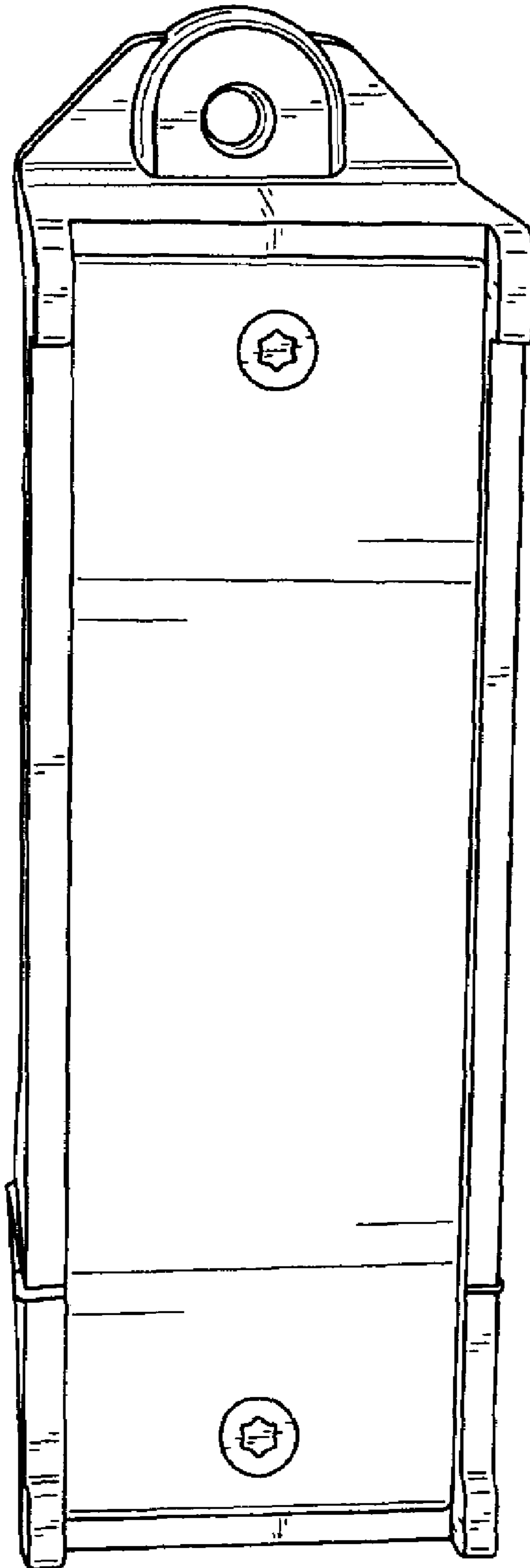


FIG. 7