



US00D548572S

(12) **United States Design Patent**
DeCosta

(10) **Patent No.:** **US D548,572 S**

(45) **Date of Patent:** **** Aug. 14, 2007**

(54) **TWO-PIECE SINGLE GANG CABLE PASS THROUGH PLATE**

(76) **Inventor:** **Tom DeCosta**, 1622 Padanaram Ave.,
New Bedford, MA (US) 02740-1004

(**) **Term:** **14 Years**

(21) **Appl. No.:** **29/259,905**

(22) **Filed:** **May 17, 2006**

(51) **LOC (8) Cl.** **11-05**

(52) **U.S. Cl.** **D8/353**

(58) **Field of Classification Search** D8/350-353;
D10/108, 123, 105; D13/169, 171, 156,
D13/174, 158, 162, 177, 184; 200/304, 330;
40/729, 732; 174/66, 67, 50, 58, 135; 220/241,
220/242, 3.8, 3.92, 3.94; 250/462.1, 466.1;
248/906

See application file for complete search history.

(56) **References Cited**

U.S. PATENT DOCUMENTS

801,536	A *	10/1905	Marshall	220/241
1,402,769	A *	1/1922	Hirshfeld	220/3.94
2,467,981	A *	4/1949	Lavoie	439/655
3,597,526	A *	8/1971	Boatwright et al.	174/56
3,729,572	A *	4/1973	Helin	174/66
3,749,815	A *	7/1973	Boatwright et al.	174/66
3,859,454	A *	1/1975	Mann	174/66
3,864,512	A *	2/1975	Meadow	174/66
4,027,097	A *	5/1977	Gillemot	174/66
D270,230	S *	8/1983	Meyer	D8/350
D270,231	S *	8/1983	Meyer	D8/350

(Continued)

Primary Examiner—Stella Reid
Assistant Examiner—Mark Goodwin

(57) **CLAIM**

The ornamental design for a two-piece single gang cable pass through plate, as shown and described.

DESCRIPTION

FIG. 1 is a front perspective view of an assembled two-piece single gang cable pass through plate showing my new design;

FIG. 2 is a top plan view of the assembled pass through plate of FIG. 1;

FIG. 3 is a bottom plan view of the assembled pass through plate of FIG. 1;

FIG. 4 is a left side view of the assembled pass through plate of FIG. 1 with the right side view being a mirror image of FIG. 4;

FIG. 5 is a left end view of the assembled pass through plate of FIG. 1 with the right end view being a mirror image of FIG. 5;

FIG. 6 is a front perspective view of the left section of the pass through plate illustrated in FIG. 1;

FIG. 7 is a front perspective view of the right section of the pass through plate illustrated in FIG. 1;

FIG. 8 is a left side view of FIG. 6 and a right side view of FIG. 7;

FIG. 9 is a left side view of FIG. 7 and a right side view of FIG. 6;

FIG. 10 is a front view of FIG. 6 and FIG. 7;

FIG. 11 is a rear view of FIG. 6 and FIG. 7;

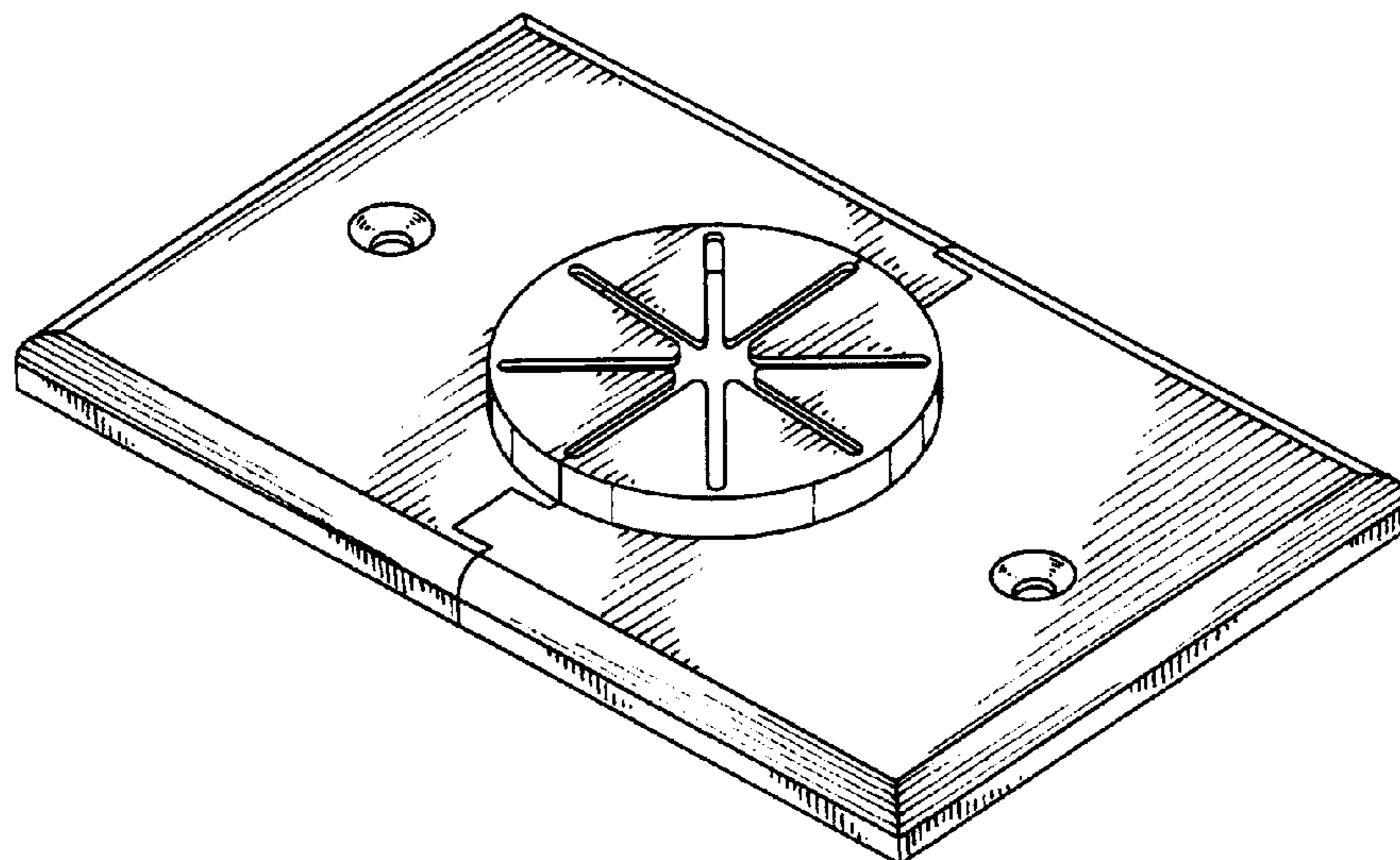
FIG. 12 is a top plan view of FIG. 6;

FIG. 13 is a bottom plan view of FIG. 6;

FIG. 14 is a top plan view of FIG. 7; and,

FIG. 15 is a bottom plan view of FIG. 7.

1 Claim, 7 Drawing Sheets



US D548,572 S

Page 2

U.S. PATENT DOCUMENTS

D270,995 S * 10/1983 Meyer	D8/350	5,981,875 A * 11/1999 Kesler et al.	174/66
4,451,106 A * 5/1984 Wiseheart et al.	439/536	6,005,189 A * 12/1999 Anker	174/66
4,691,974 A * 9/1987 Pinkerton et al.	439/147	D443,815 S 6/2001 Adriaenssens	
4,810,833 A * 3/1989 Meyers	174/67	6,596,938 B2 * 7/2003 Gilleran	174/58
5,067,907 A * 11/1991 Shotey	439/135	6,774,308 B1 * 8/2004 Troyen	174/63
5,696,350 A * 12/1997 Anker	174/66	6,881,902 B2 * 4/2005 Aoki et al.	174/72 A
5,700,978 A * 12/1997 Huff	174/66	7,112,744 B1 * 9/2006 DeCosta	174/66

* cited by examiner

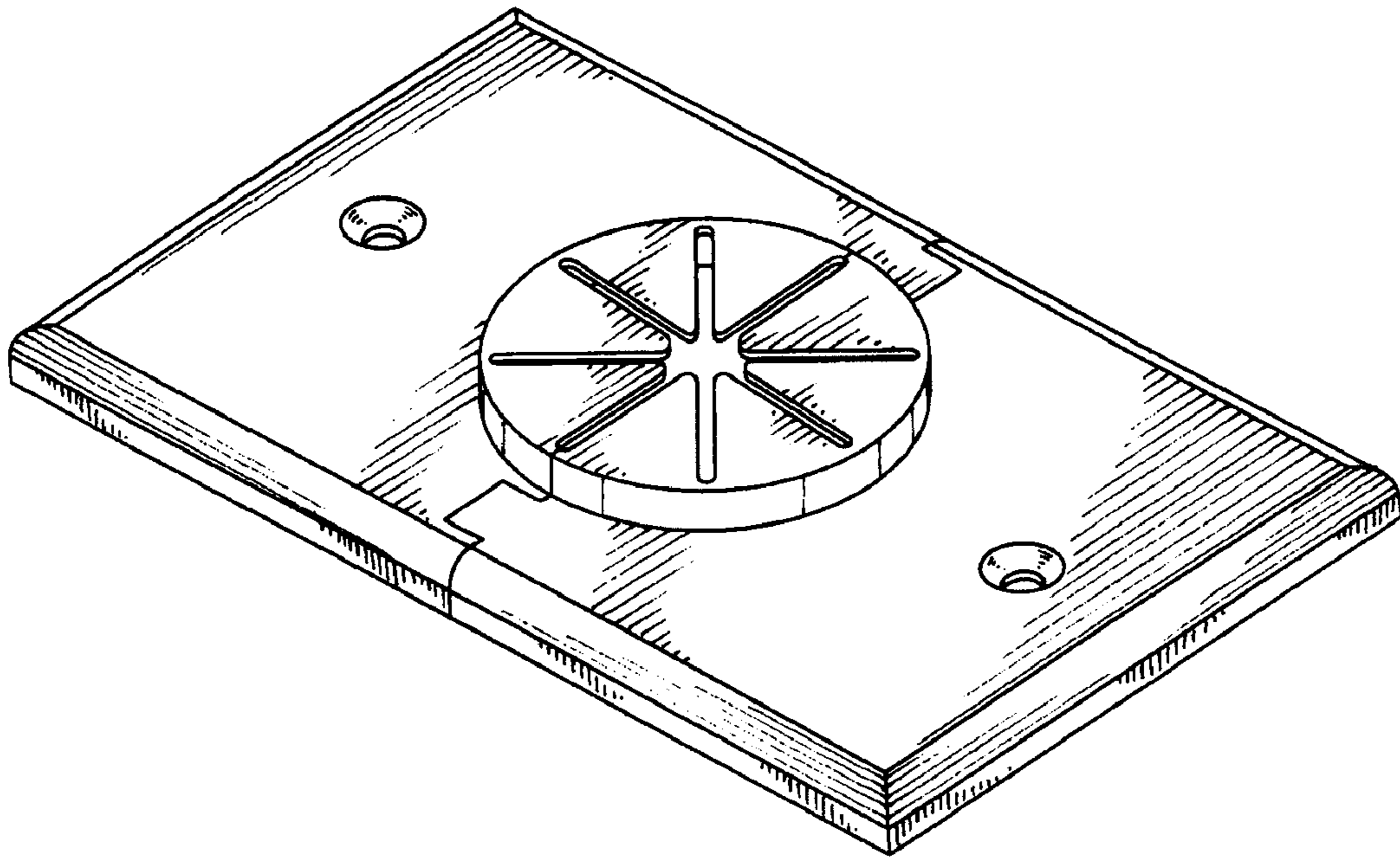


FIG. 1

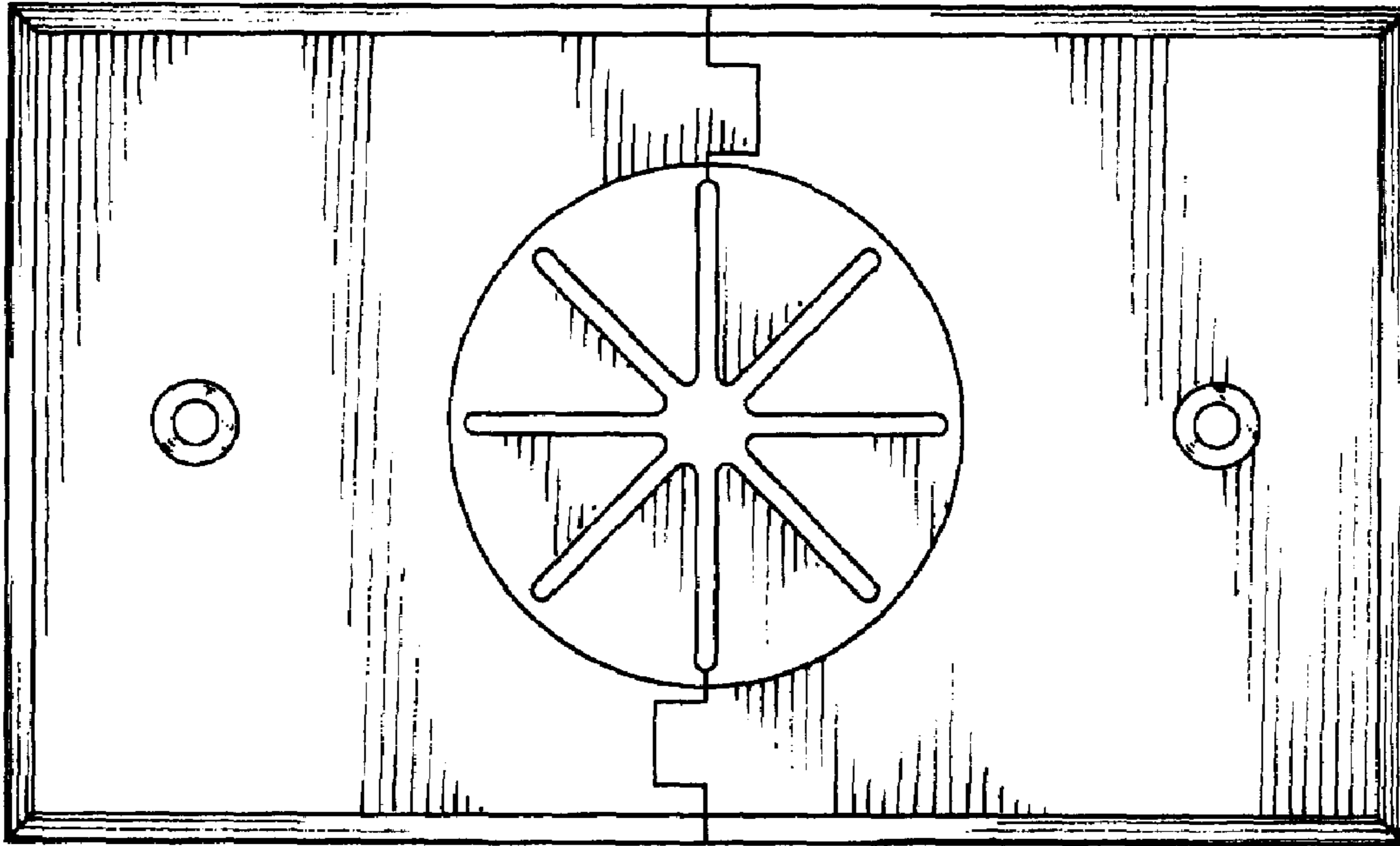


FIG. 2

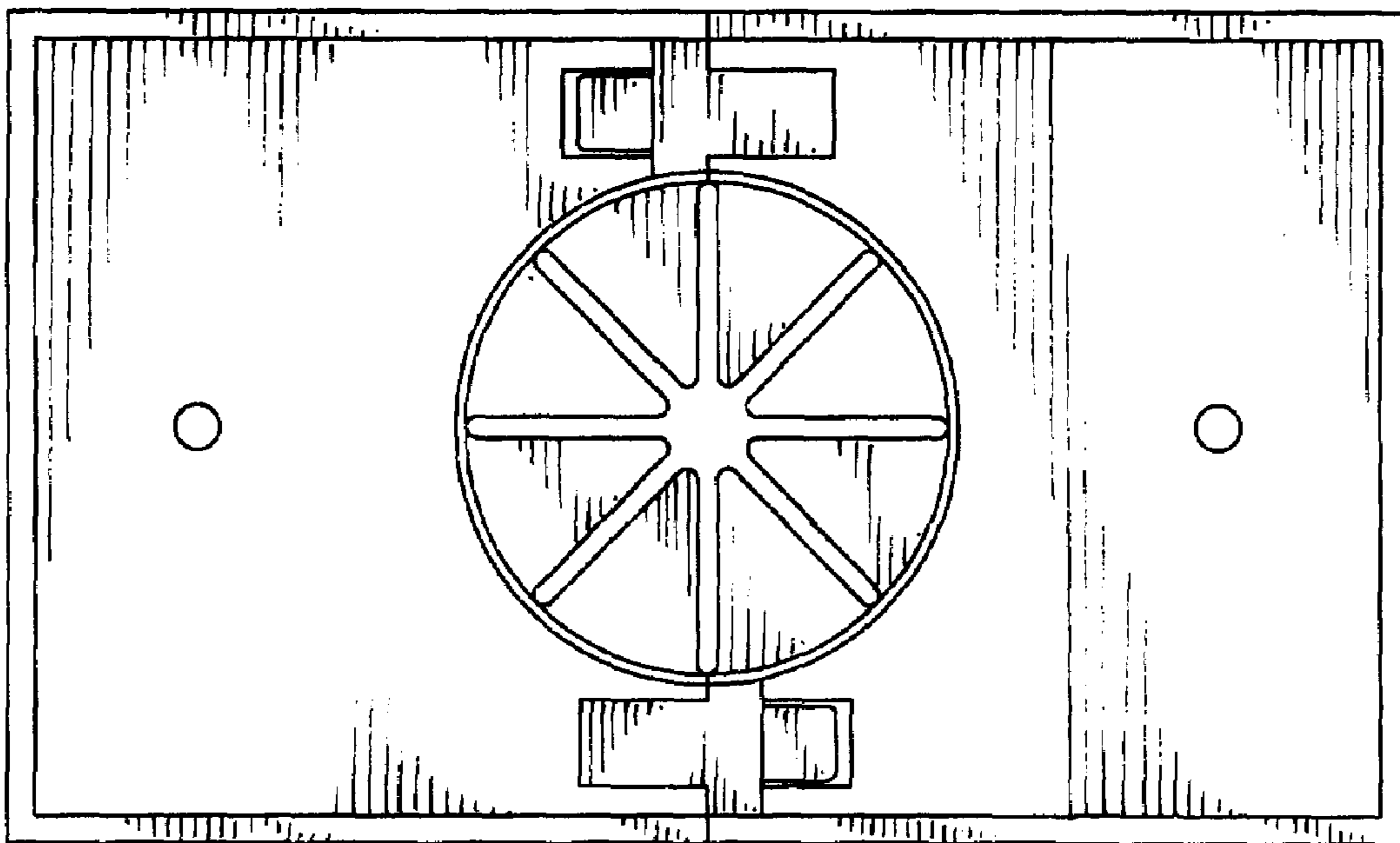


FIG. 3

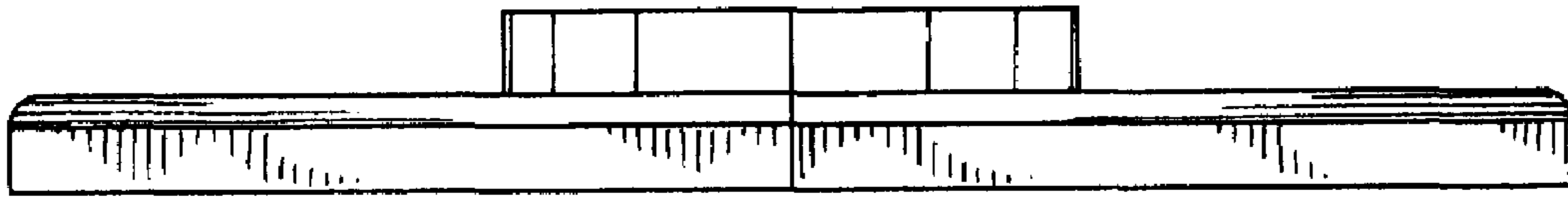


FIG. 4

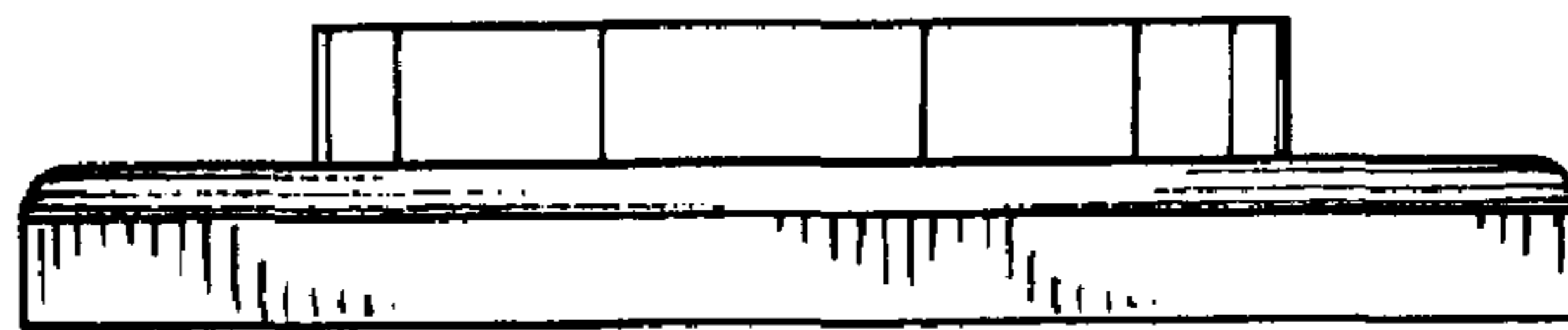


FIG. 5

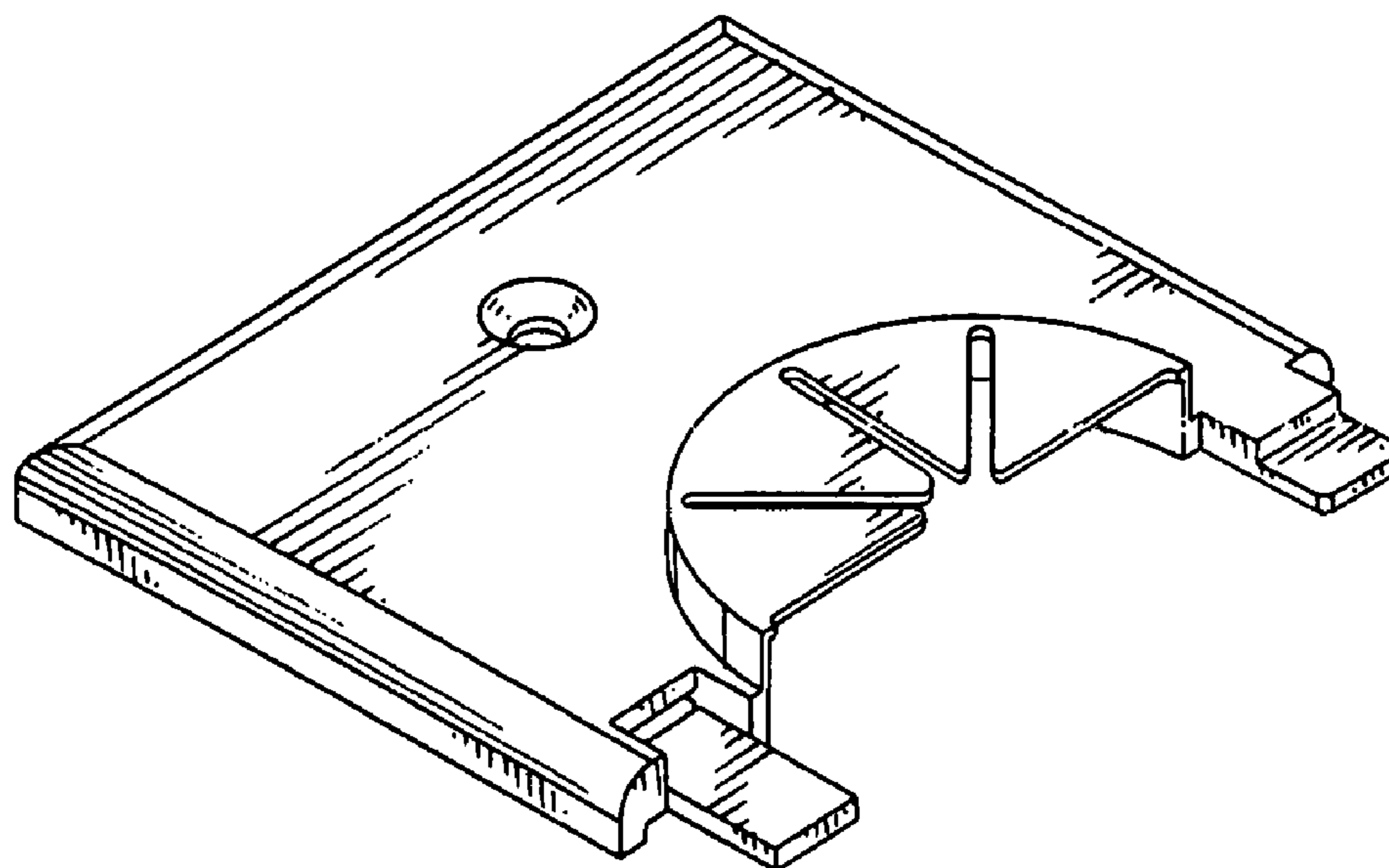


FIG. 6

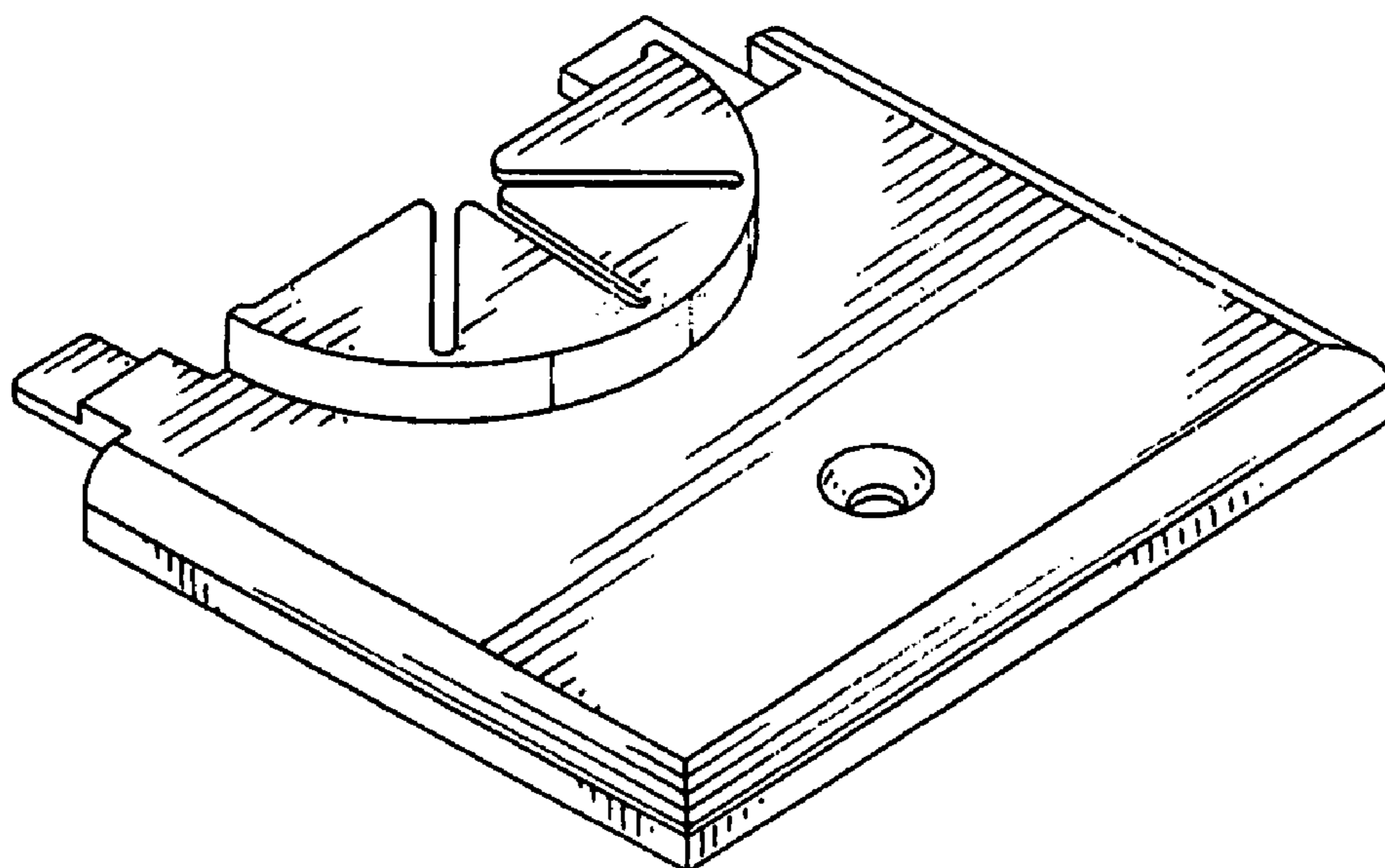


FIG. 7



FIG. 8



FIG. 9

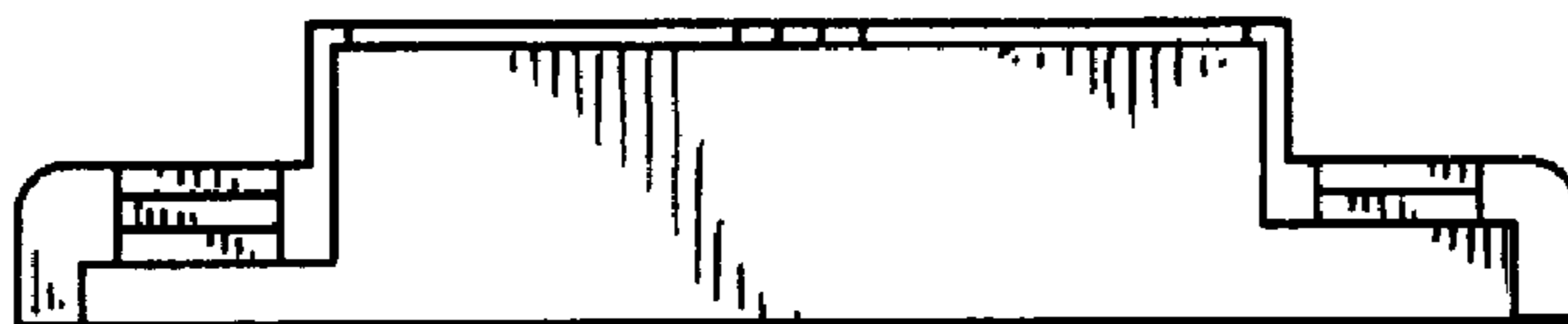


FIG. 10

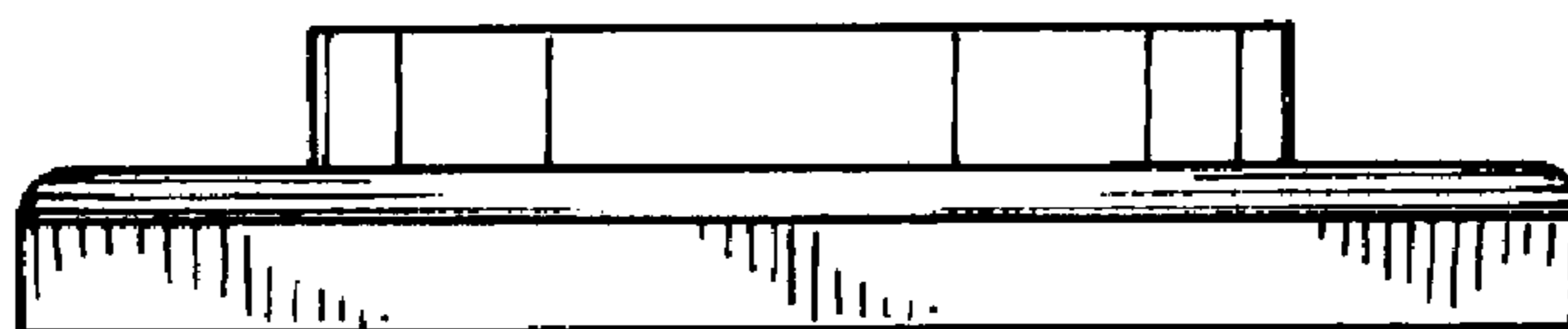


FIG. 11

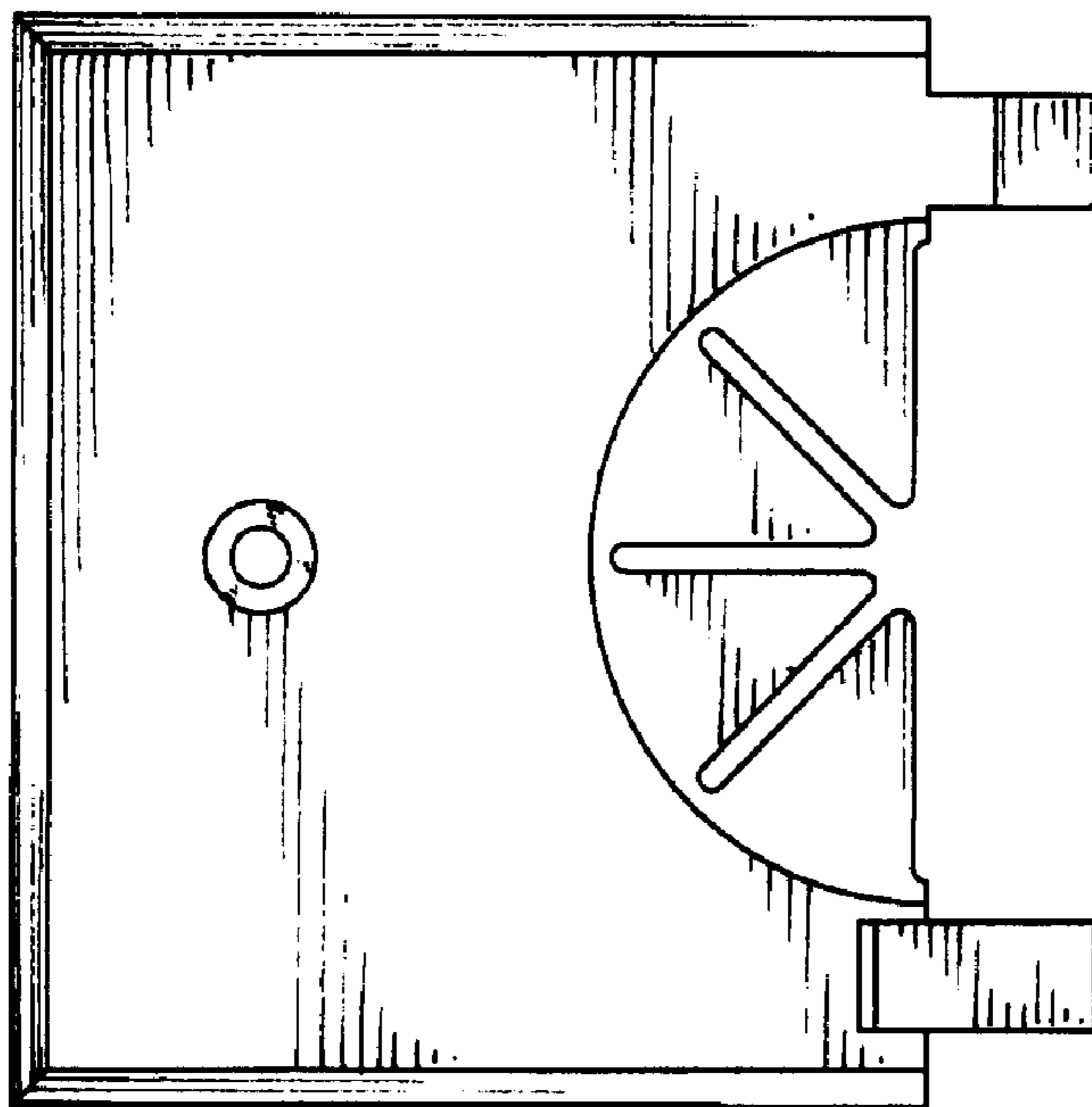


FIG. 12

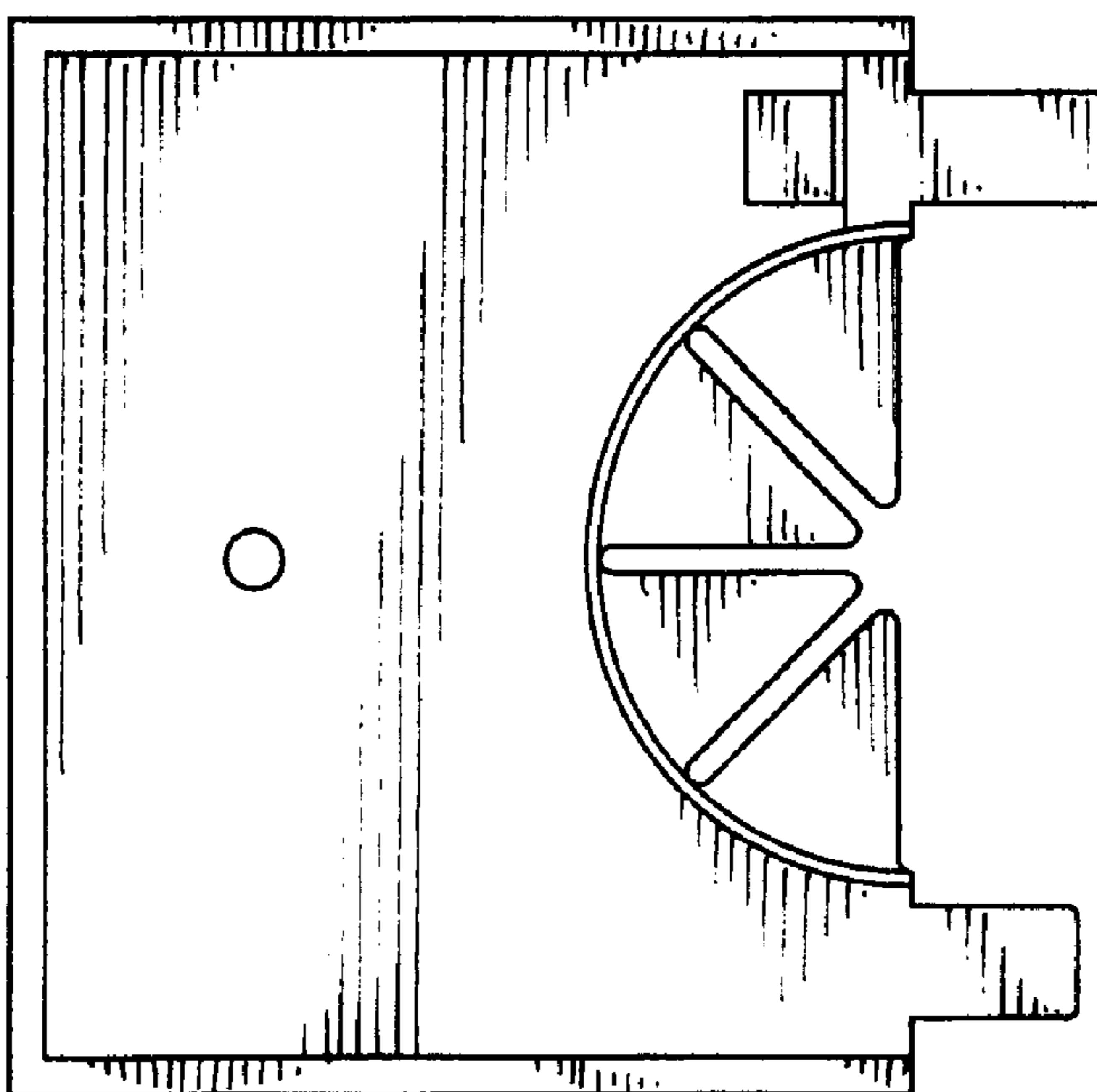


FIG. 13

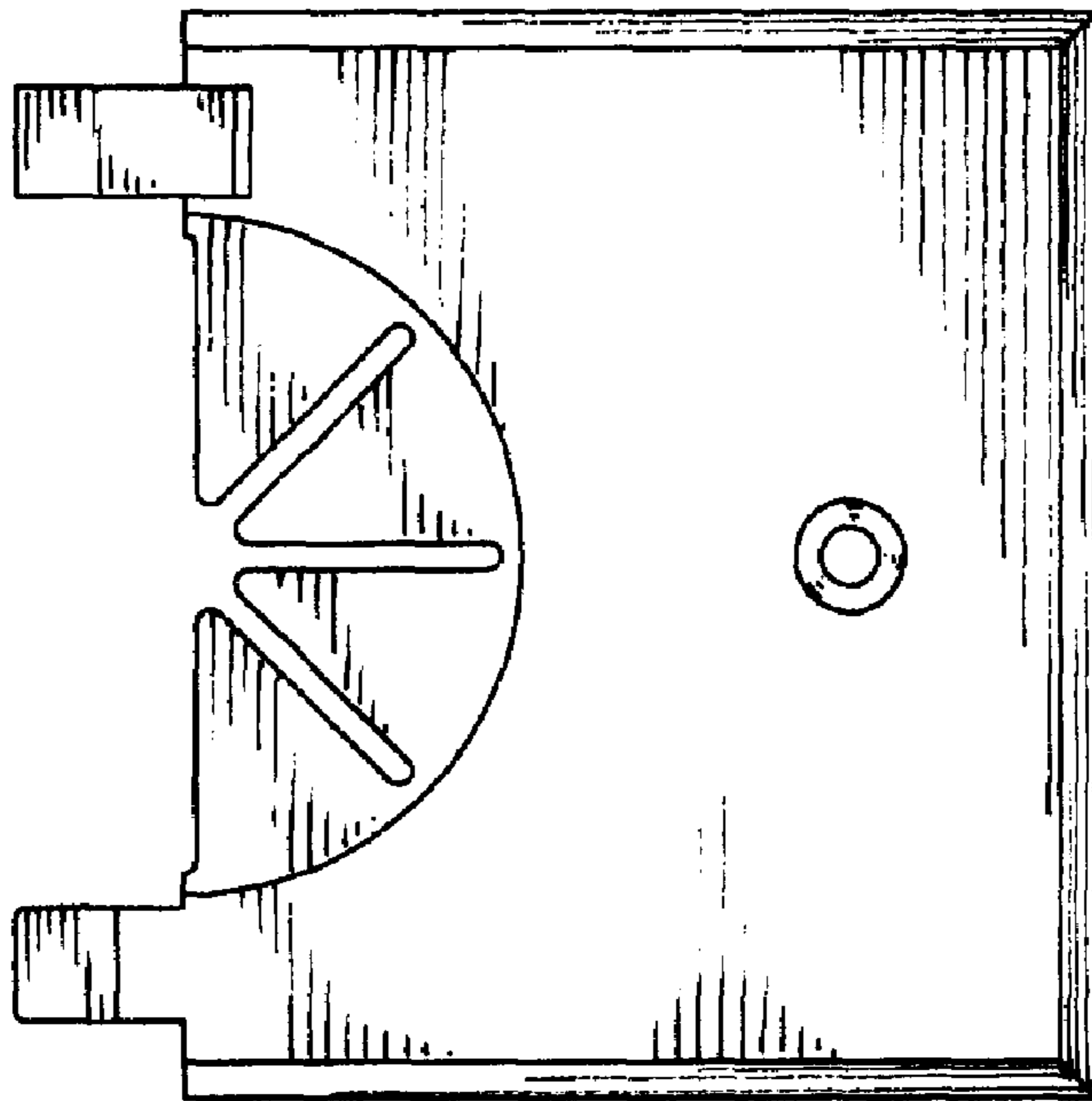


FIG. 14

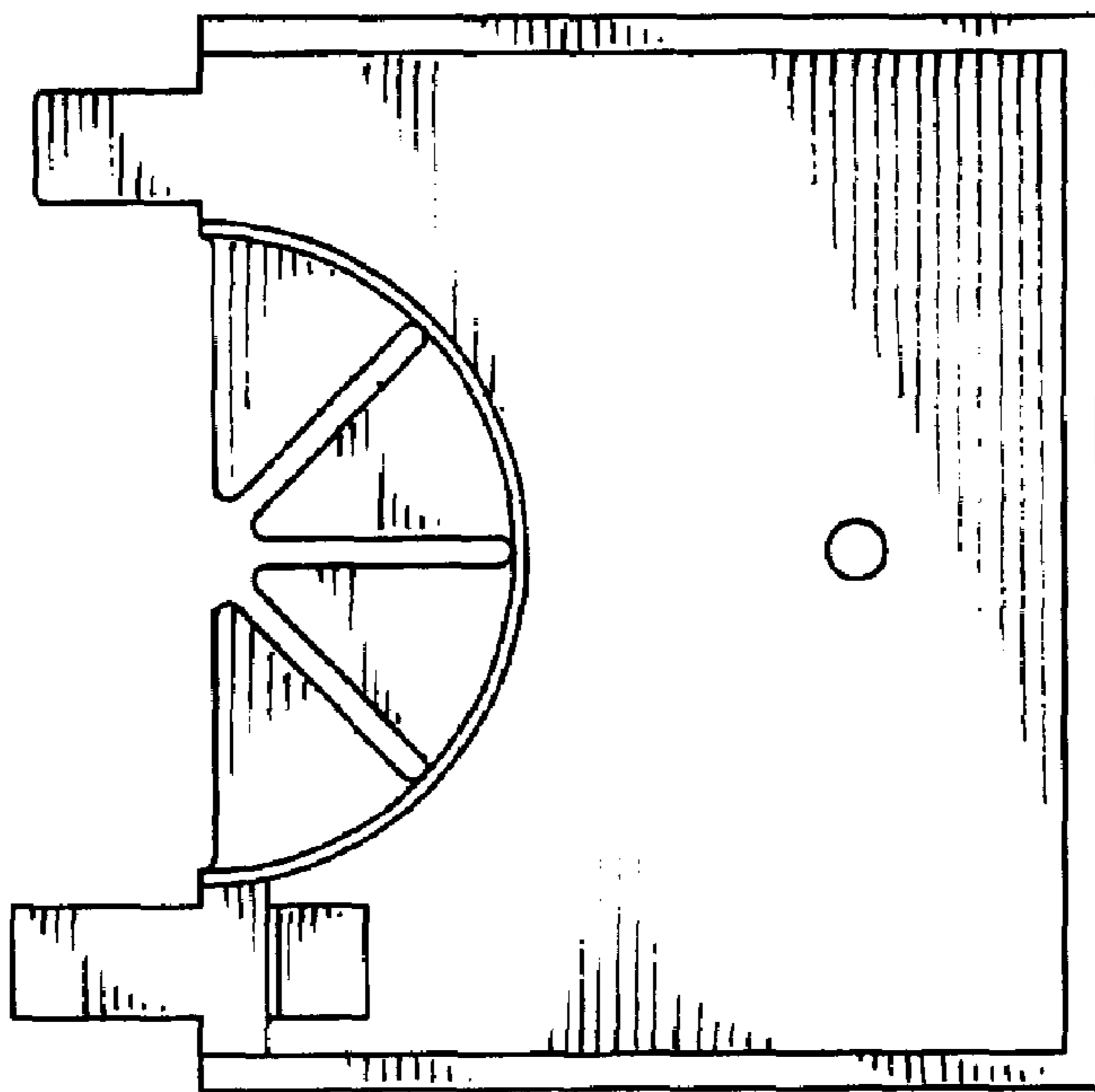


FIG. 15