

US00D548571S

(12) **United States Design Patent**
Bigelow et al.

(10) **Patent No.: US D548,571 S**

(45) **Date of Patent: ** Aug. 14, 2007**

(54) **OXYGEN SUPPLY BRACKET FOR A HOSPITAL TRANSPORT CART**

Primary Examiner—Holly H. Baynham
(74) *Attorney, Agent, or Firm*—Norman Rainer

(76) Inventors: **Warren V. Bigelow**, 5712 Auto Club Cir., Bloomington, MN (US) 55437;
Frederick B. Keen, 3028 Duport Ave., South, Minneapolis, MN (US) 55408;
Joseph J. Kraska, 11935-41 Avenue North, Plymouth, MN (US) 55441

(57) **CLAIM**

The ornamental design for an oxygen supply bracket for a hospital transport cart, as shown and described.

(**) Term: **14 Years**

DESCRIPTION

(21) Appl. No.: **29/238,167**

FIG. 1 is a perspective top and side view of an oxygen supply bracket for a hospital transport cart showing my new design;

(22) Filed: **Sep. 13, 2005**

FIG. 2 is a top view thereof;

(51) **LOC (8) Cl.** **08-05**

FIG. 3 is a front view thereof;

(52) **U.S. Cl.** **D8/349**

FIG. 4 is a right side view;

(58) **Field of Classification Search** D8/349,
D8/354, 380; D12/223; 248/300

FIG. 5 is a left side view;

See application file for complete search history.

FIG. 6 is a bottom view; and,

(56) **References Cited**

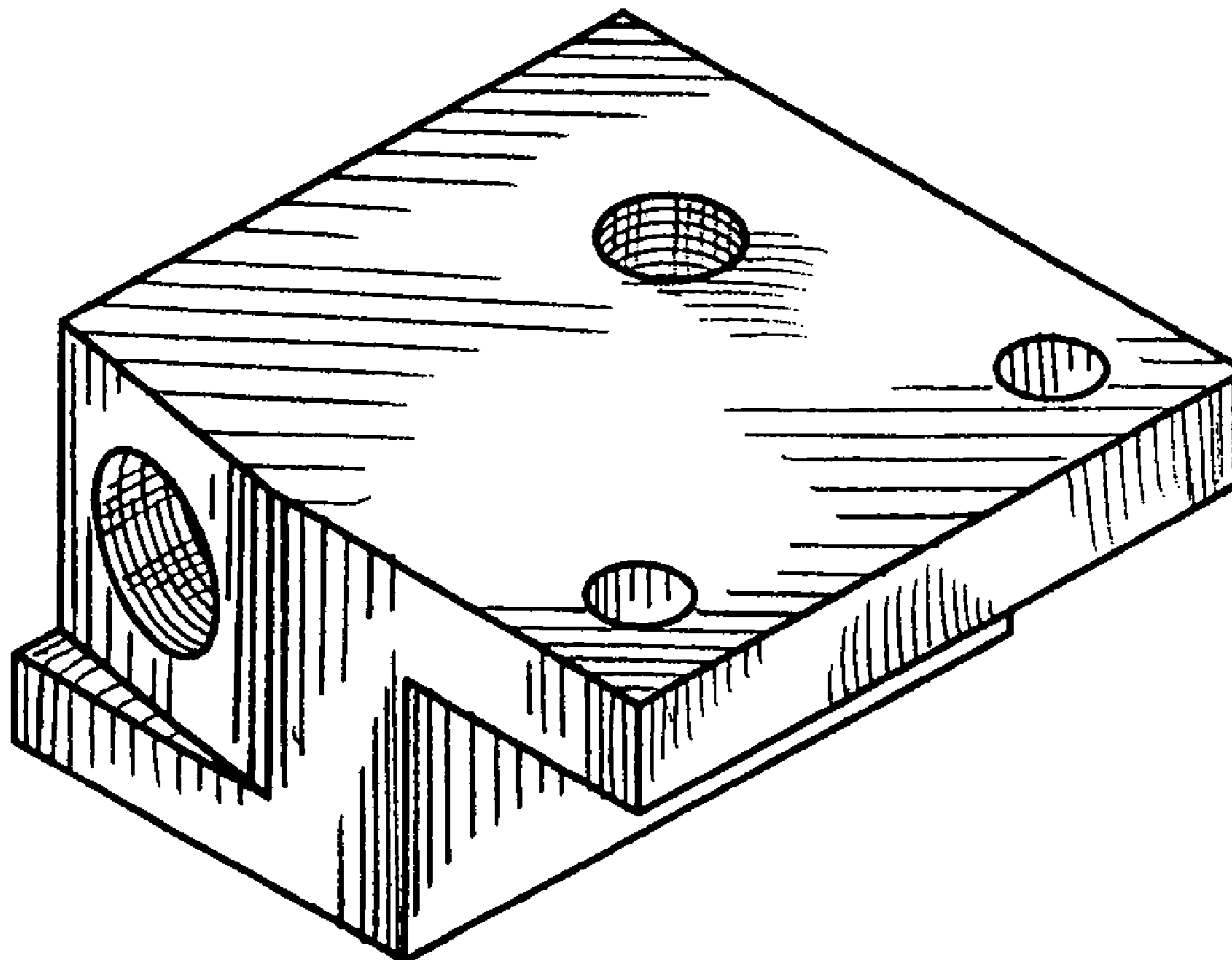
FIG. 7 is a sectional view taken in the direction of the arrows upon the line 7—7 of FIG. 2 with the broken line showing of an interactive oxygen in feed line, pressure gauge and control valve being for illustrative purposes only and forming no part of the claimed design.

U.S. PATENT DOCUMENTS

D464,866 S * 10/2002 Switz et al. D8/354
D482,598 S * 11/2003 Brass et al. D8/354

* cited by examiner

1 Claim, 2 Drawing Sheets



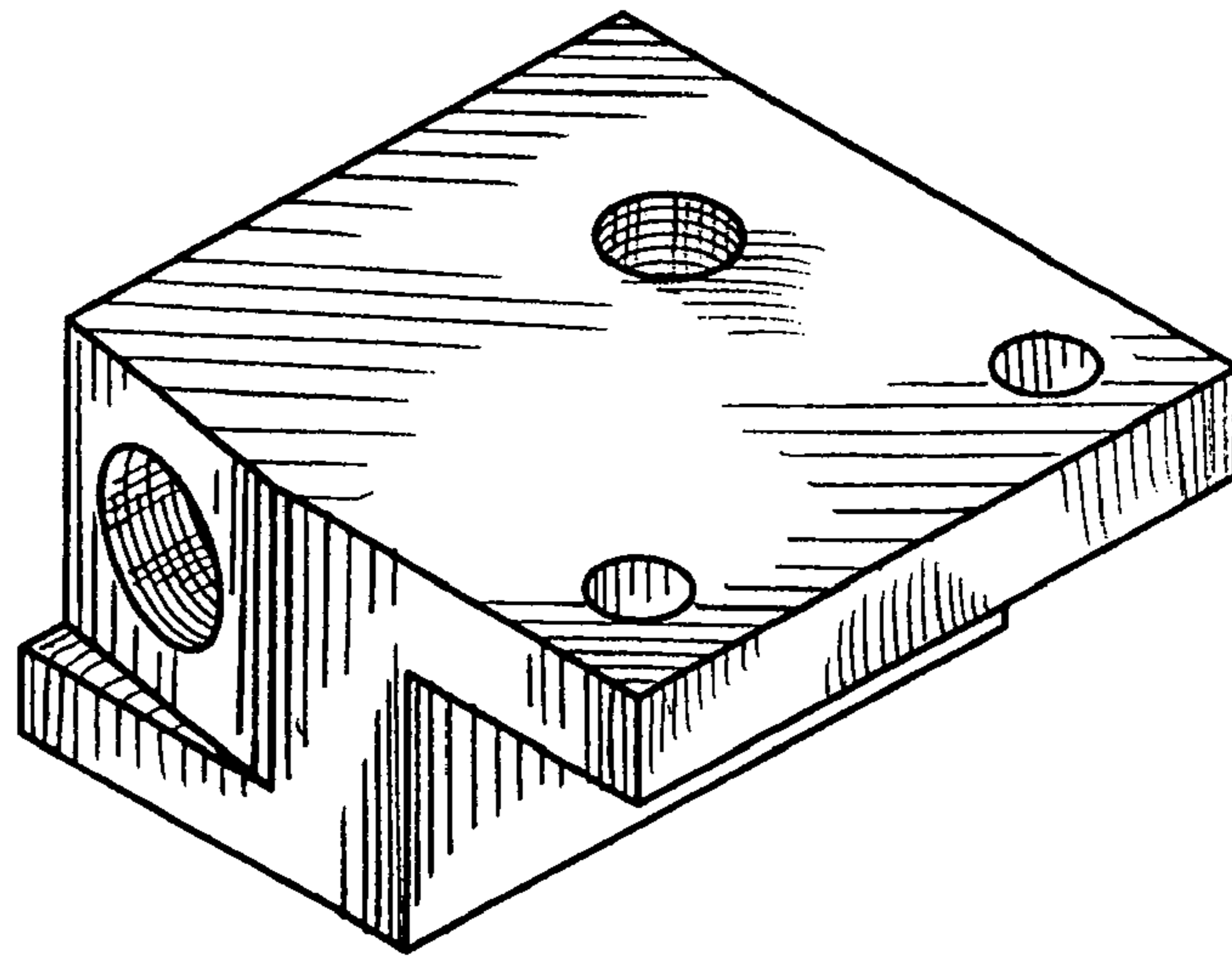


FIG. 1

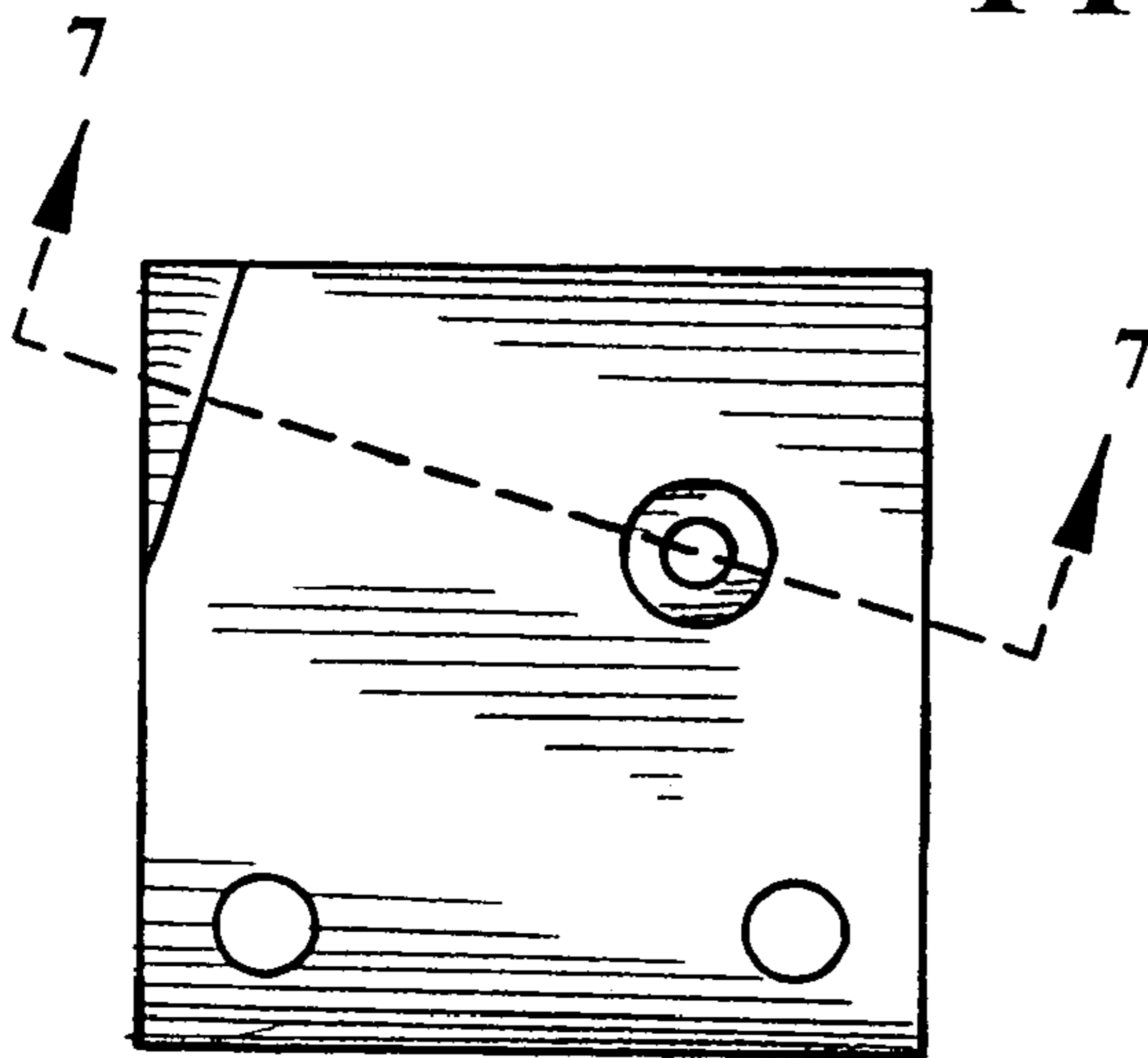


FIG. 2

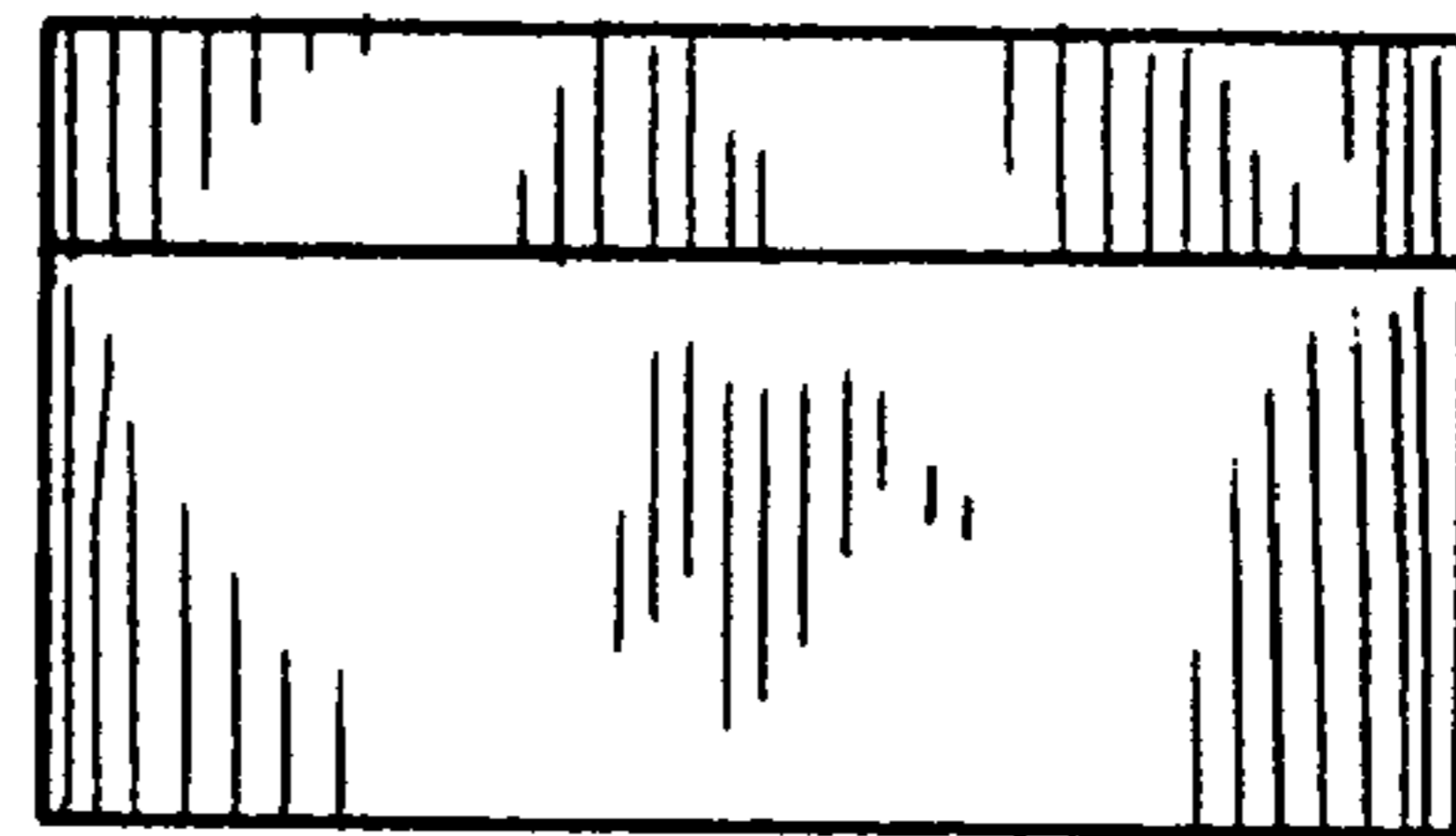


FIG. 3

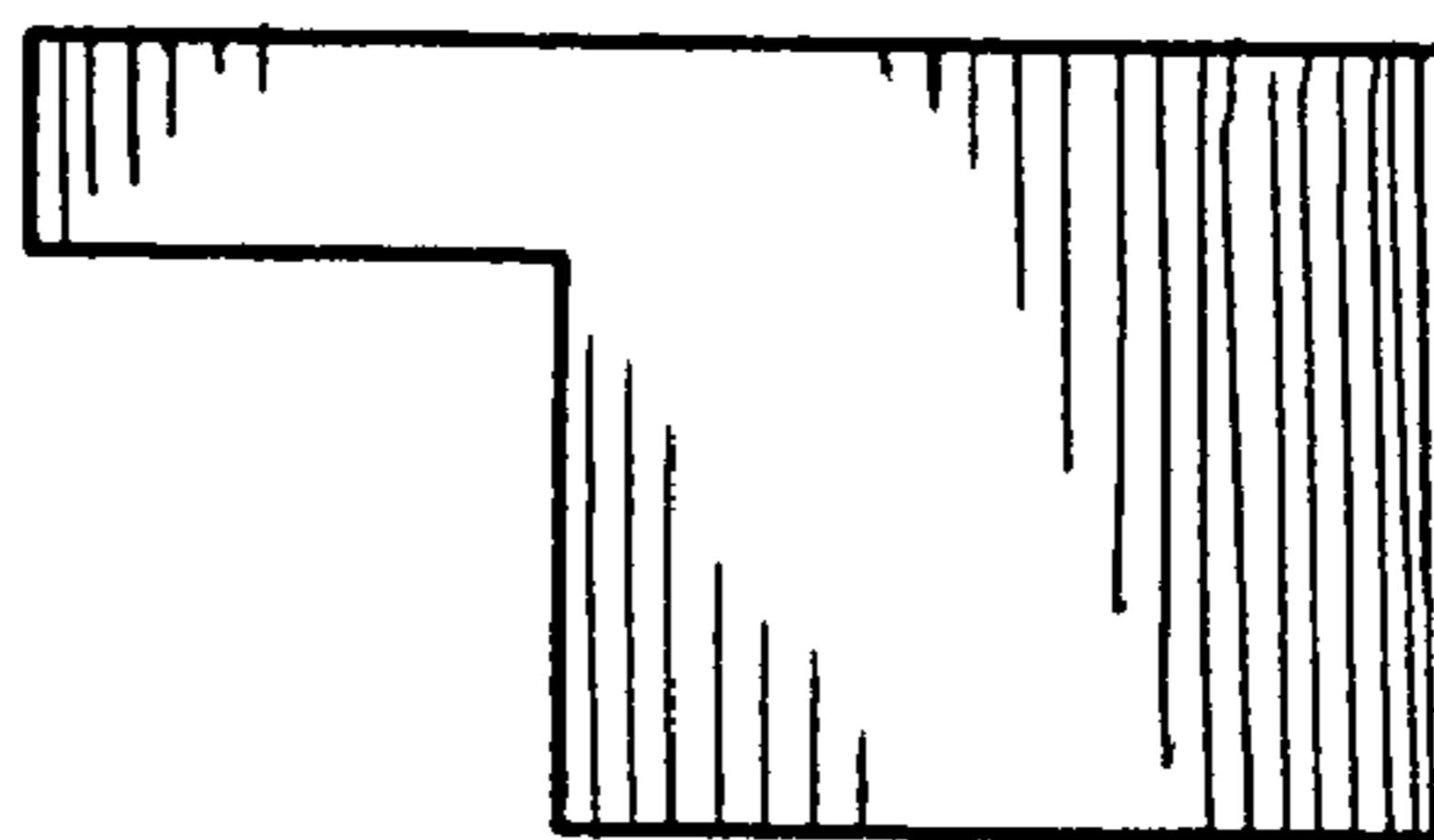


FIG. 4

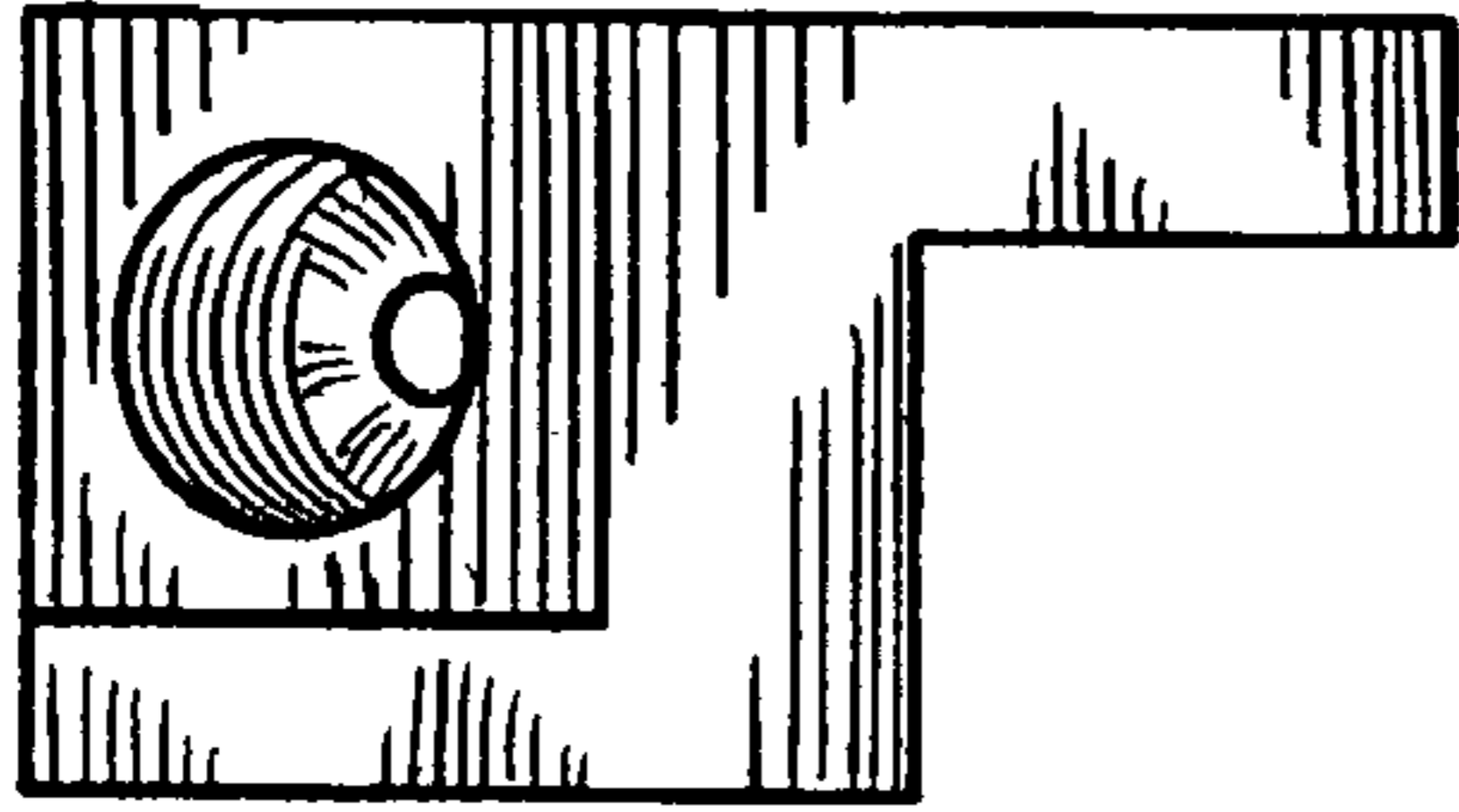


FIG. 5

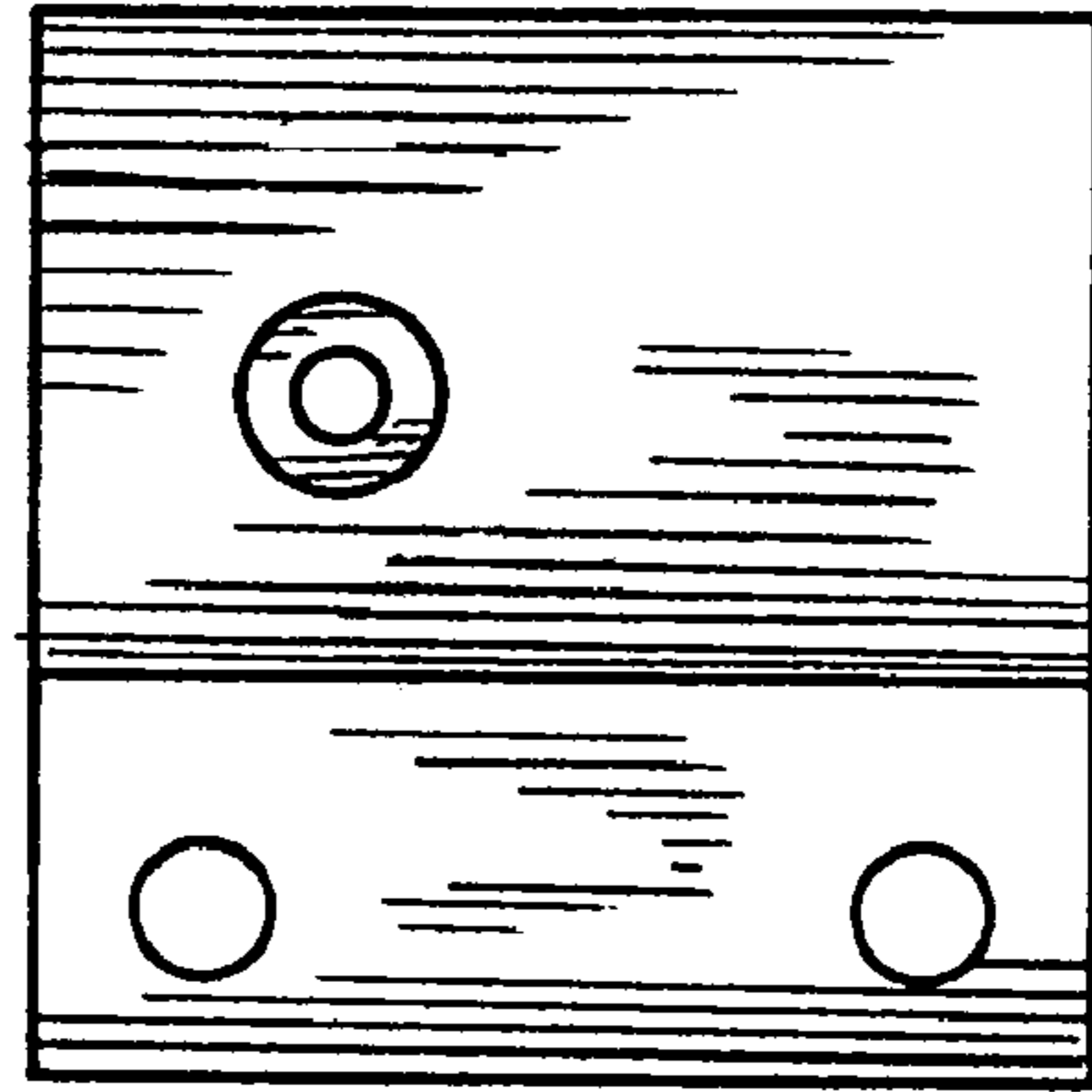


FIG. 6

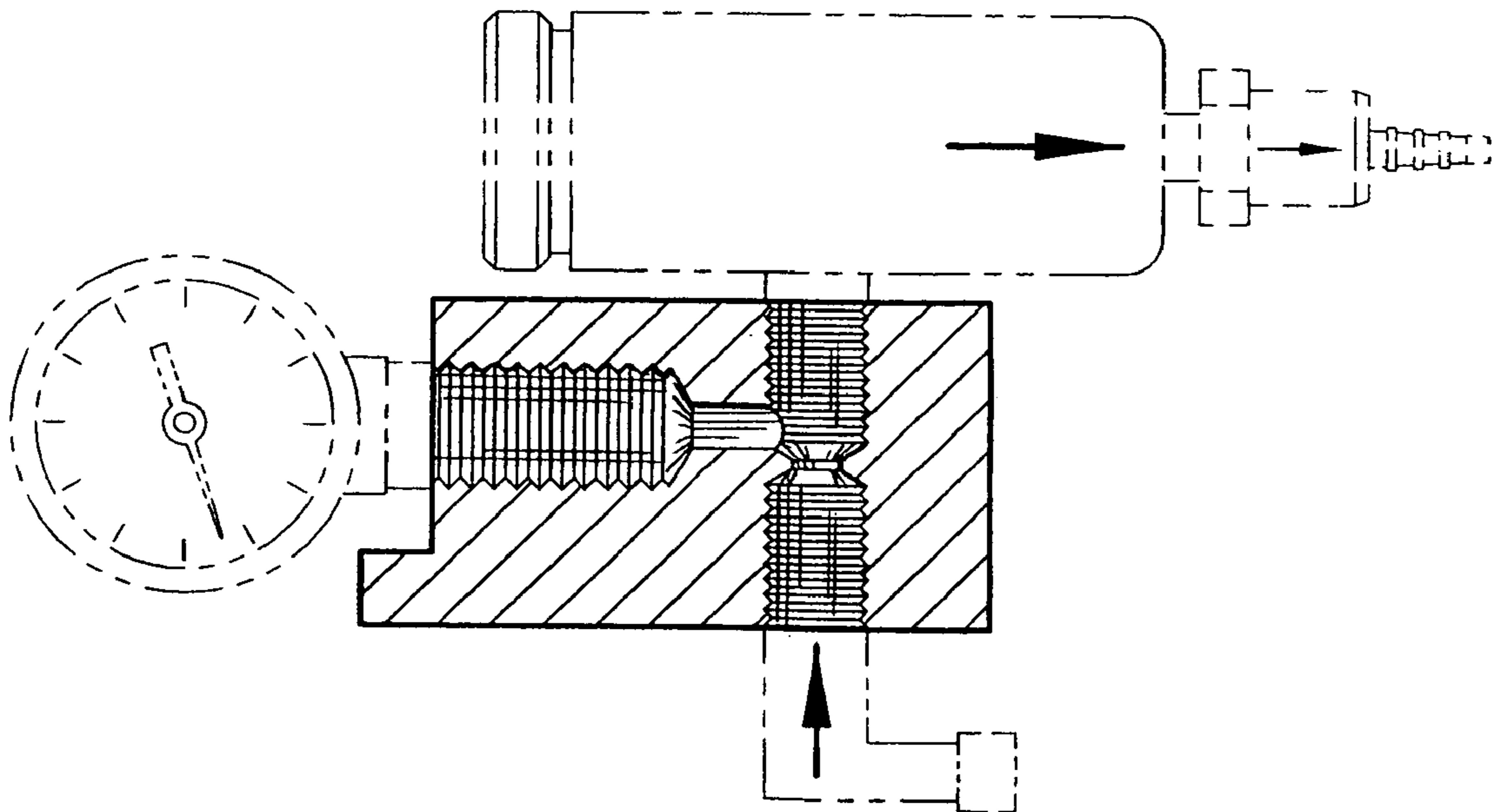


FIG. 7