



US00D548570S

(12) **United States Design Patent**
Ydreemark et al.

(10) **Patent No.:** **US D548,570 S**

(45) **Date of Patent:** **** Aug. 14, 2007**

(54) **KEY HEAD**

(75) Inventors: **Hanna Ydreemark**, Stockholm (SE);
Elisabet Broms, Stockholm (SE);
Mattias Widerstedt, Nacka (SE)

(73) Assignee: **ASSA AB**, Eskilstuna (SE)

(**) Term: **14 Years**

(21) Appl. No.: **29/271,031**

(22) Filed: **Jan. 9, 2007**

Related U.S. Application Data

(62) Division of application No. 29/225,734, filed on Mar. 21, 2005.

Foreign Application Priority Data

(30) Sep. 21, 2004 (EM) 000234109-000010005

(51) **LOC (8) Cl.** **08-07**

(52) **U.S. Cl.** **D8/347**

(58) **Field of Classification Search** D8/330-348;
70/395, 576.1, 408, 414
See application file for complete search history.

(56) **References Cited**

U.S. PATENT DOCUMENTS

3,349,589 A *	10/1967	Fricke	70/395
3,394,565 A *	7/1968	Turman	70/414
3,526,112 A *	9/1970	Herrington	70/395
D442,060 S *	5/2001	Neset et al.	D8/347
D442,061 S *	5/2001	Harris et al.	D8/347

* cited by examiner

Primary Examiner—Mitchell Siegel

(74) *Attorney, Agent, or Firm*—Sughrue Mion, PLLC

(57) **CLAIM**

The ornamental design for a key head, as shown and described.

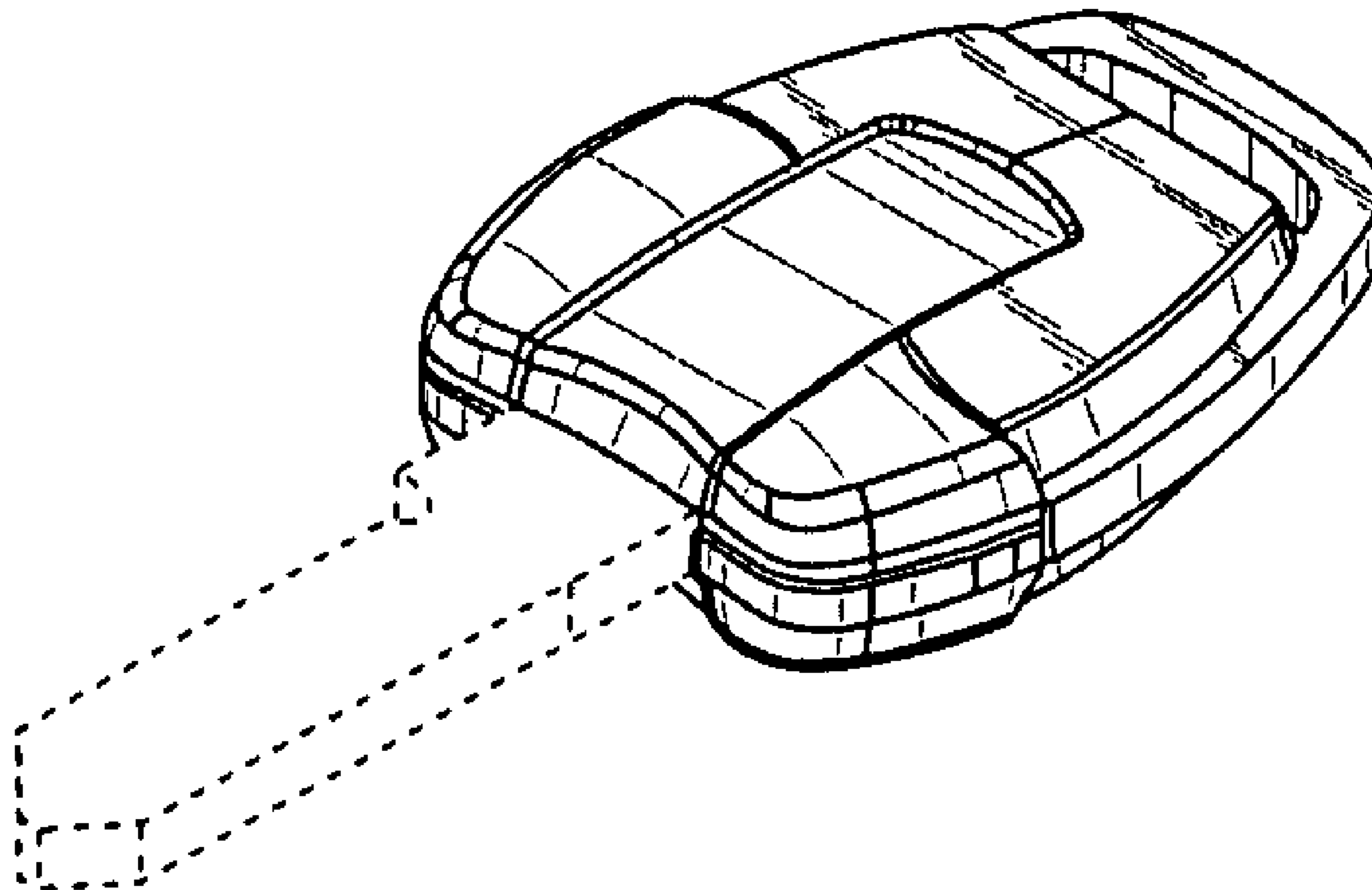
DESCRIPTION

FIG. 1 is a perspective view of one side of a key head showing our new design; and,

FIG. 2 is a perspective view of the other side thereof.

The portions shown in broken lines are for illustrative purposes only and form no part of the claimed design.

1 Claim, 1 Drawing Sheet



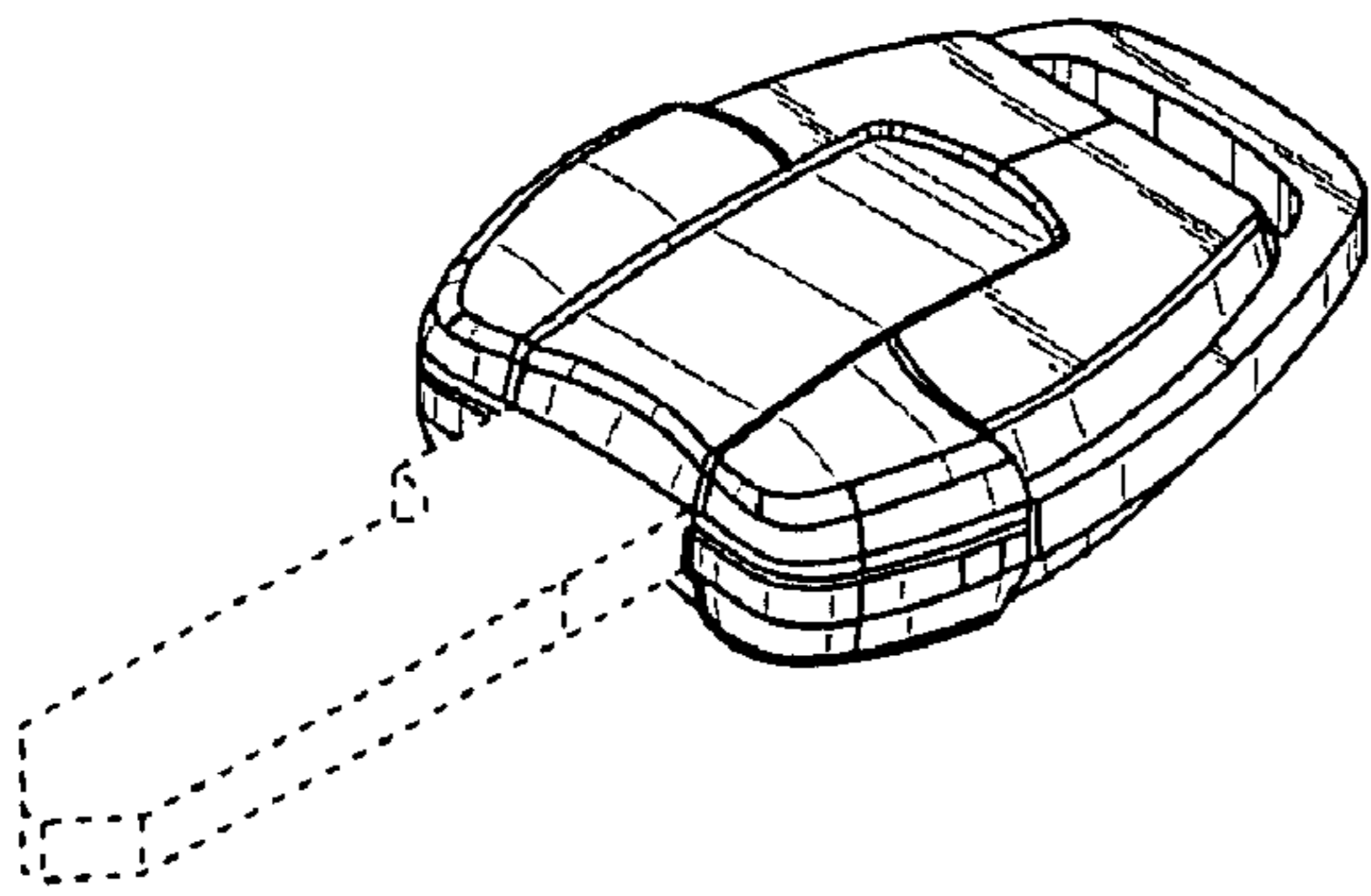


Fig. 1

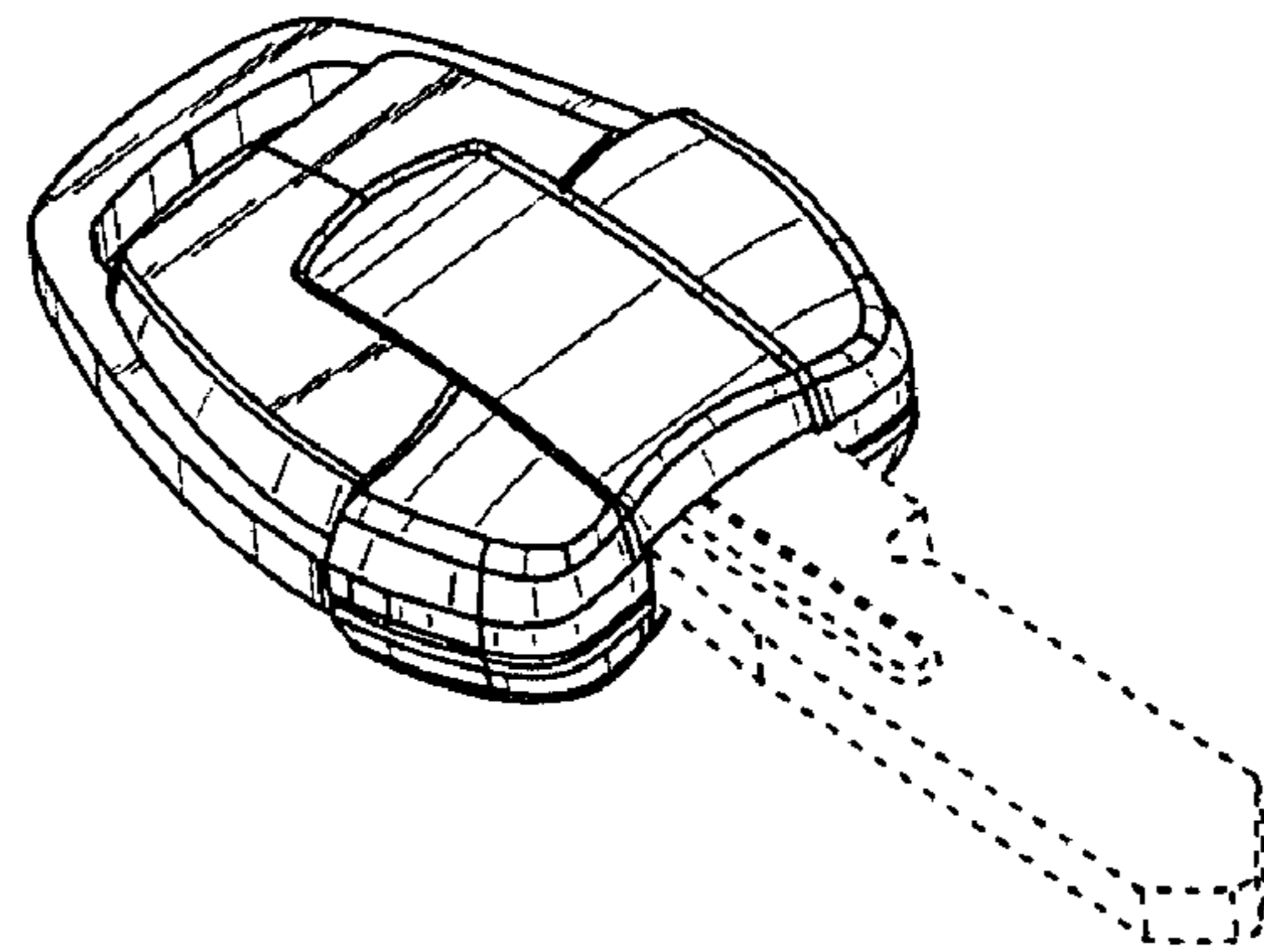


Fig. 2