

US00D548569S

(12) **United States Design Patent**
Vito

(10) **Patent No.:** **US D548,569 S**

(45) **Date of Patent:** **** Aug. 14, 2007**

(54) **SHACKLE**

(75) Inventor: **Robert A. Vito**, Berwyn, PA (US)

(73) Assignee: **Unbreakable Company**, Berwyn, PA (US)

(**) Term: **14 Years**

(21) Appl. No.: **29/271,115**

(22) Filed: **Jan. 9, 2007**

Related U.S. Application Data

(62) Division of application No. 29/210,988, filed on Aug. 10, 2004.

(51) **LOC (8) Cl.** **08-07**

(52) **U.S. Cl.** **D8/343**

(58) **Field of Classification Search** D8/330-348;
70/14, 18, 20-26, 32-35, 38 A, 38 B, 53,
70/288, 293, 459, 50, 43

See application file for complete search history.

(56) **References Cited**

U.S. PATENT DOCUMENTS

228,656 A	6/1880	Loch	
D53,141 S *	3/1919	Stone	D8/334
1,522,851 A	1/1925	Wright	
1,690,041 A	10/1928	Sundquist	
D115,761 S *	7/1939	Fraim	D8/334
D137,277 S *	2/1944	Muller-Munk	D8/334
2,375,488 A	5/1945	Olson	
2,904,985 A	9/1959	Murphy	
D240,590 S *	7/1976	Meisner	D8/334
4,224,813 A	9/1980	Hampton	

D292,869 S	11/1987	Lebrecht	
4,829,795 A	5/1989	Taylor	
D353,531 S *	12/1994	Kahonen	D8/334
D484,776 S *	1/2004	Ruan	D8/334
D491,044 S *	6/2004	Vito	D8/343

* cited by examiner

Primary Examiner—Mitchell Siegel

(74) *Attorney, Agent, or Firm*—Volpe & Koenig PC

(57) **CLAIM**

The ornamental design for a shackle, as shown and described.

DESCRIPTION

FIG. 1 is a perspective view of a shackle according to a first preferred embodiment of my new design;

FIG. 2 is a second perspective view of the shackle of FIG. 1;

FIG. 3 is a front elevational view of the shackle of FIG. 1;

FIG. 4 is a top plan view of the shackle of FIG. 1;

FIG. 5 is a right side elevational view of the shackle of FIG. 1;

FIG. 6 is a left side elevational view of the shackle of FIG. 1;

FIG. 7 is rear elevational view of the shackle of FIG. 1; and,

FIG. 8 is a bottom plan view of the shackle of FIG. 1.

The dashed lines in FIGS. 1-8 represent environment and are for illustrative purposes only and do not constitute part of the claimed design. The phantom lines in FIGS. 1-8 define the border between claimed and unclaimed matter.

1 Claim, 2 Drawing Sheets

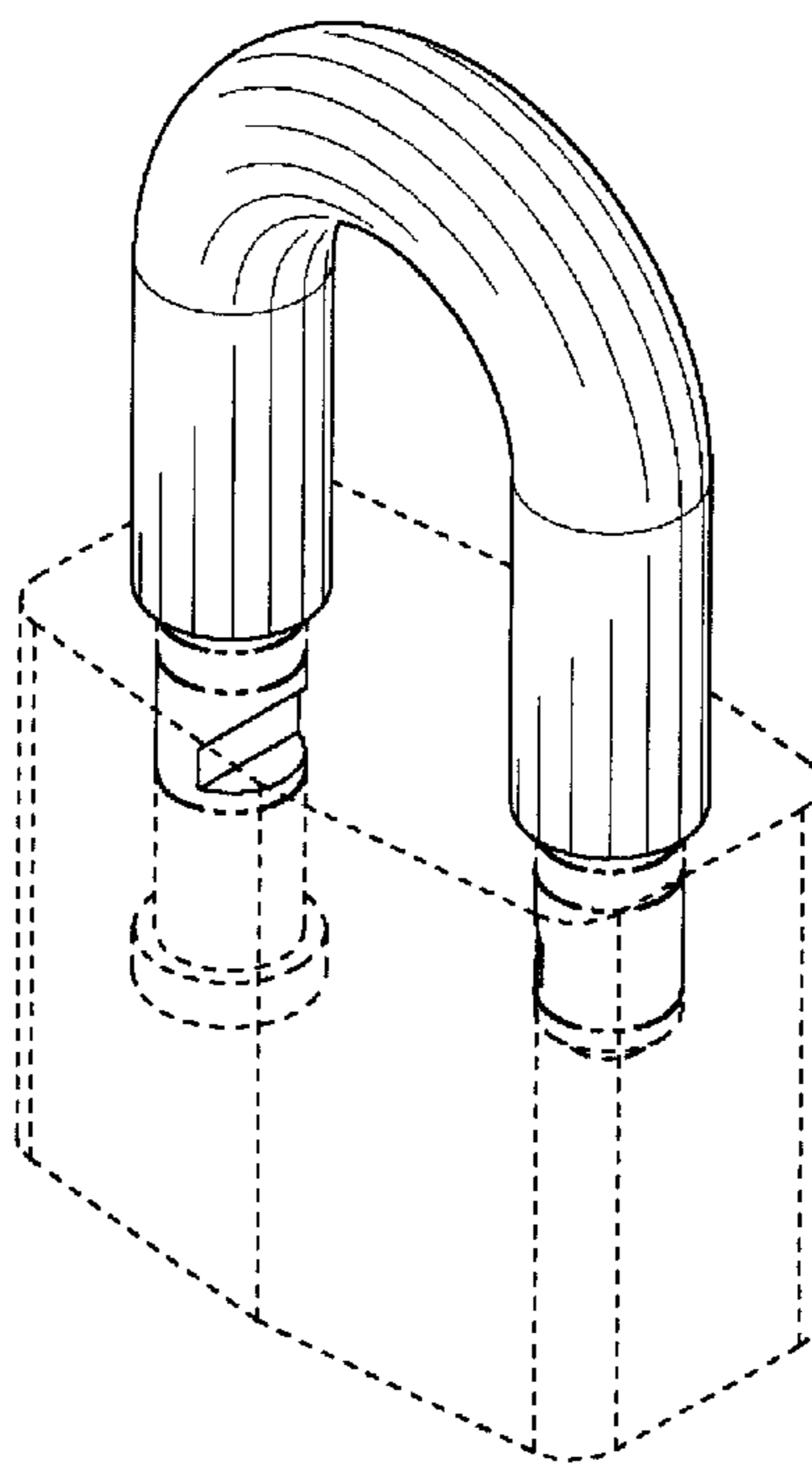


FIG. 1

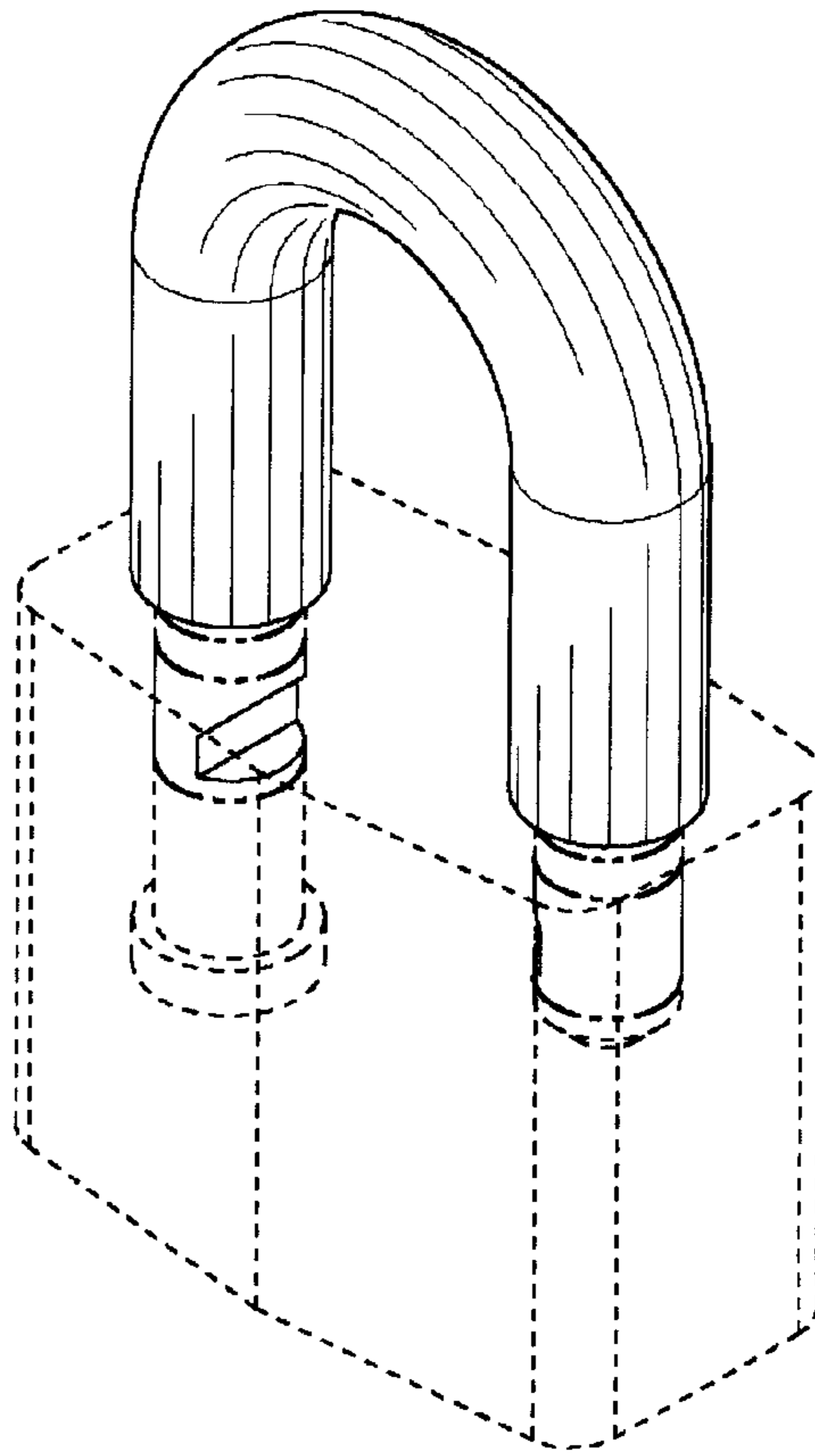


FIG. 3

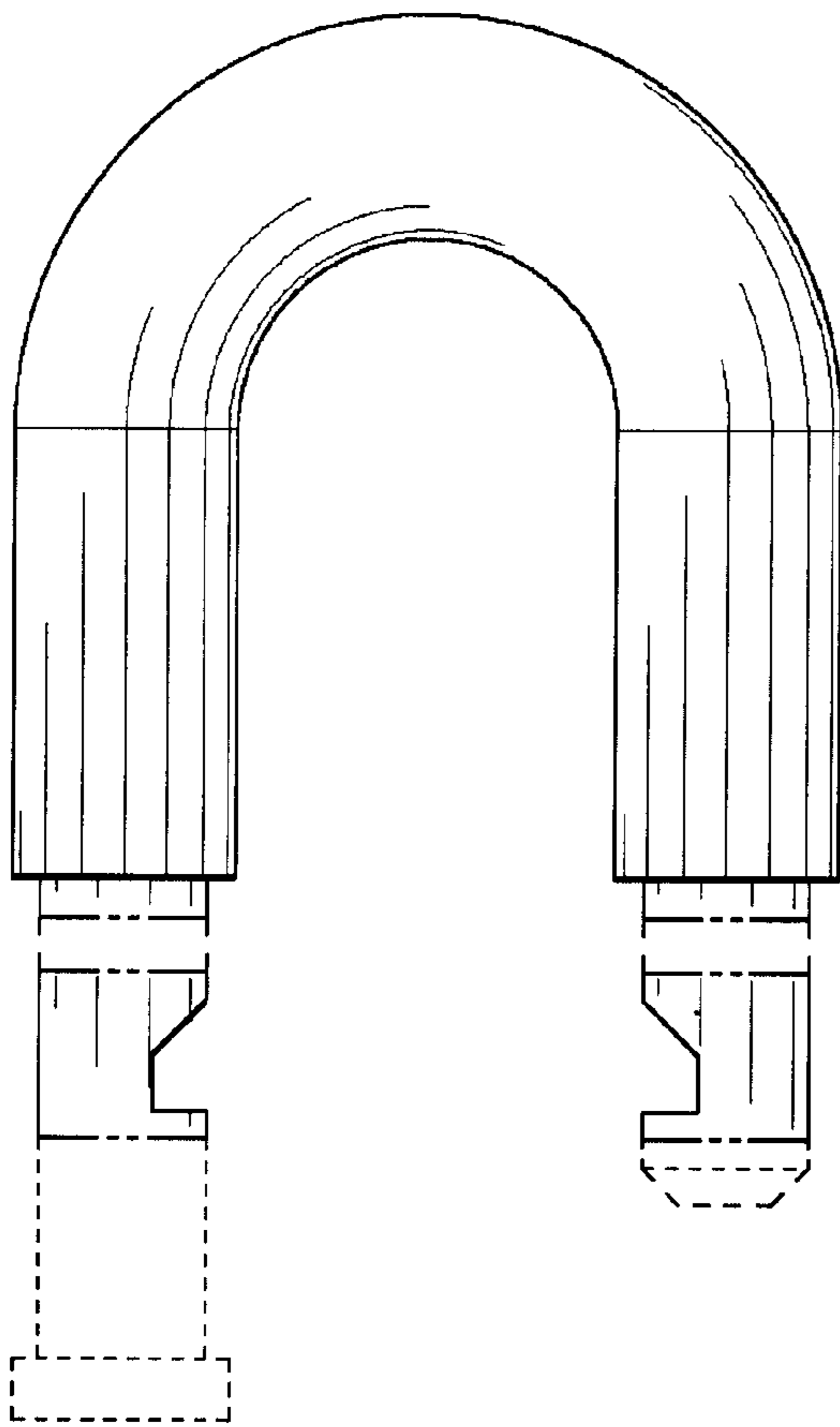


FIG. 2

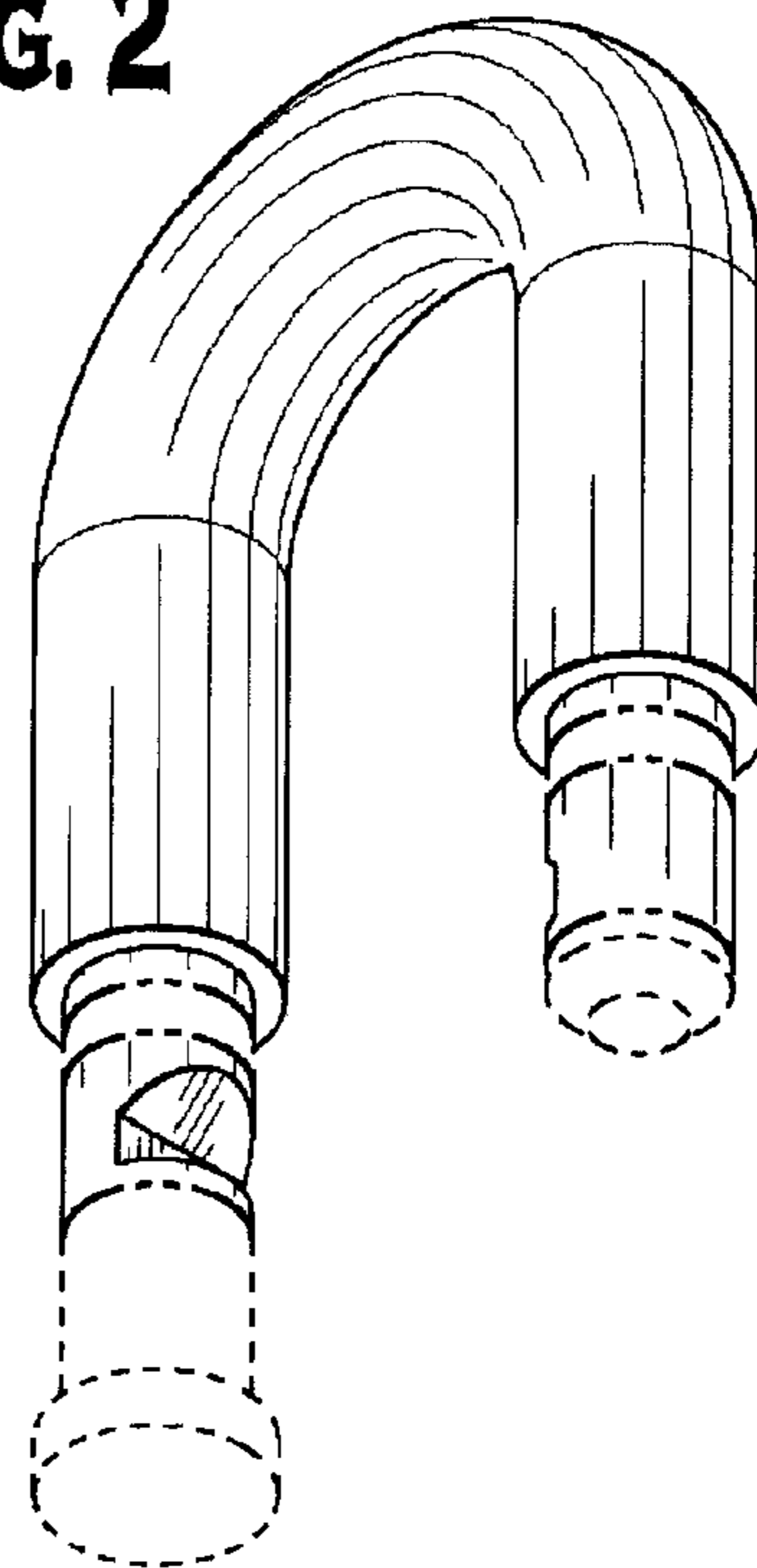
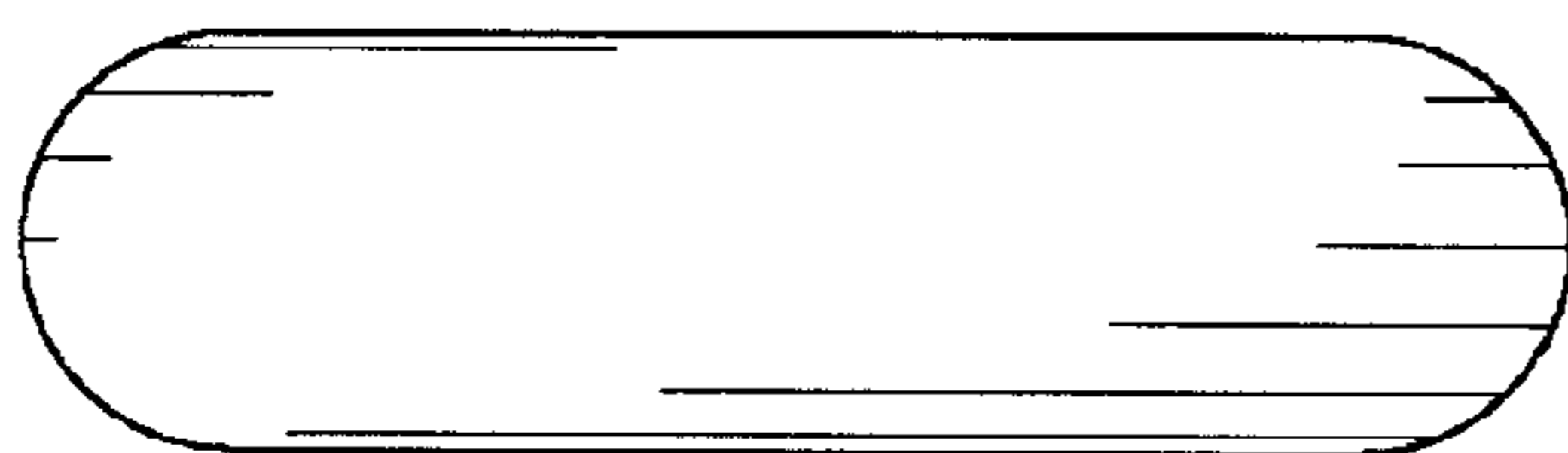


FIG. 4



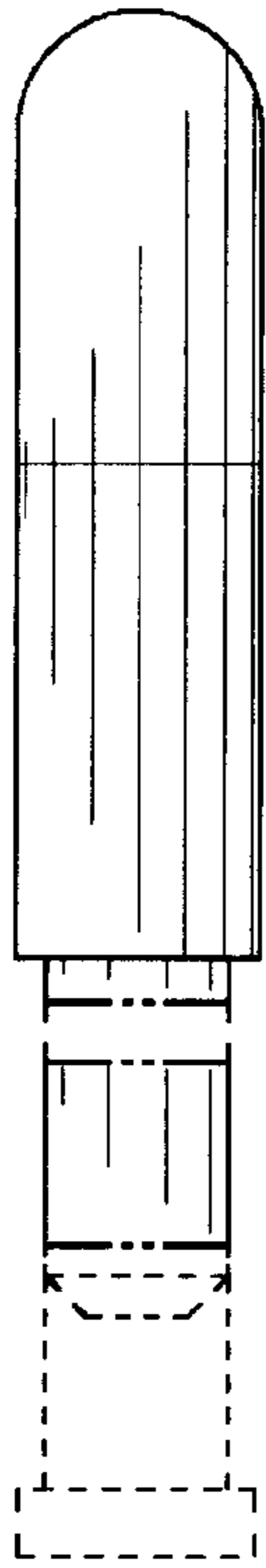


FIG. 5

FIG. 6

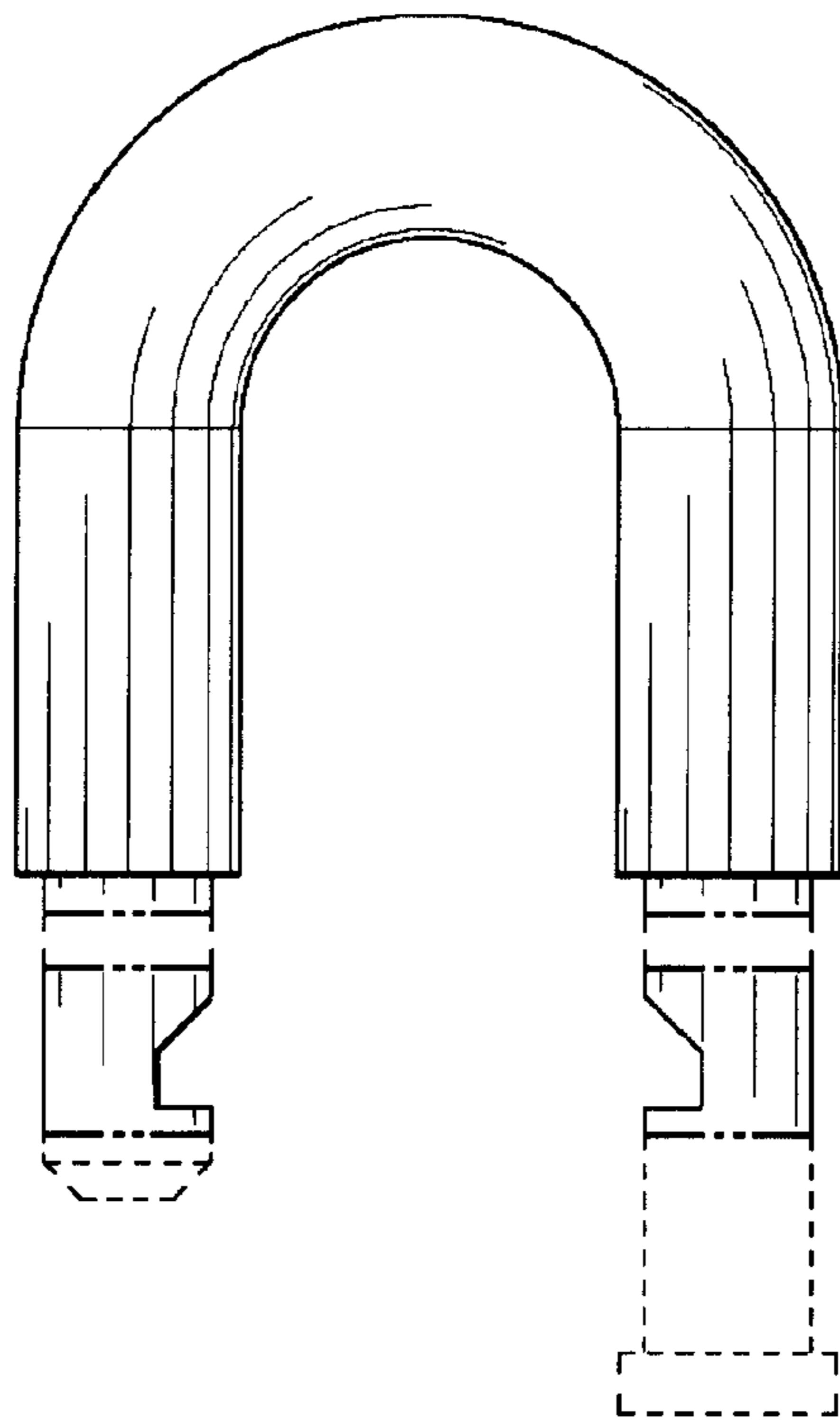
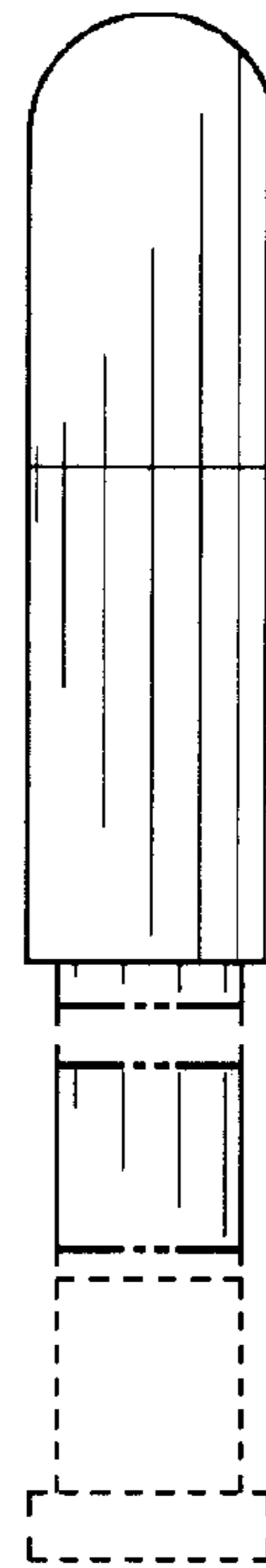


FIG. 7

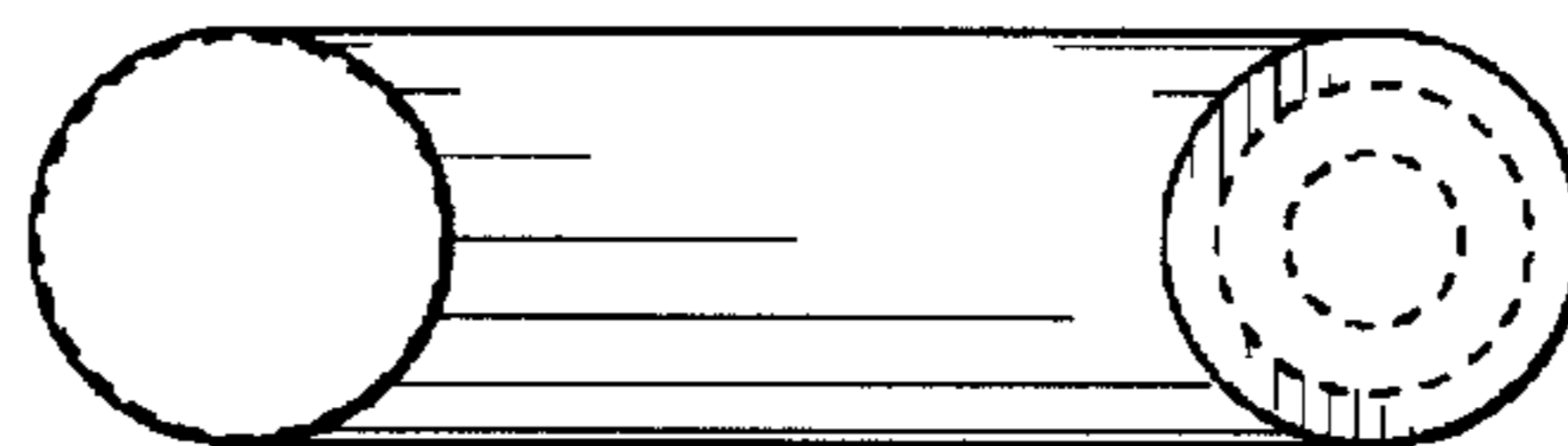


FIG. 8