

US00D548568S

(12) **United States Design Patent** (10) **Patent No.:** **US D548,568 S**
Vito (45) **Date of Patent:** **** Aug. 14, 2007**

(54) **SHACKLE**

(74) *Attorney, Agent, or Firm*—Volpe & Koenig PC

(75) Inventor: **Robert A. Vito**, Berwyn, PA (US)

(57) **CLAIM**

(73) Assignee: **Unbreakable Company**, Berwyn, PA (US)

The ornamental design for a shackle, as shown and described.

(**) Term: **14 Years**

DESCRIPTION

(21) Appl. No.: **29/270,904**

FIG. 1 is a perspective view of a shackle according to a first preferred embodiment of my new design;

(22) Filed: **Jan. 5, 2007**

FIG. 2 is a second perspective view of the shackle of FIG. 1;

Related U.S. Application Data

(60) Continuation-in-part of application No. 29/208,597, filed on Jun. 30, 2004, now Pat. No. Des. 539,114, and a division of application No. 29/210,990, filed on Aug. 10, 2004.

FIG. 3 is a front elevational view of the shackle of FIG. 1;

FIG. 4 is a top plan view of the shackle of FIG. 1;

(51) **LOC (8) Cl.** **08-07**

(52) **U.S. Cl.** **D8/343**

(58) **Field of Classification Search** D8/330–348;
70/14, 18, 20–26, 32–35, 38 A, 38 B, 53,
70/288, 293, 459, 50, 43

FIG. 5 is a right side elevational view of the shackle of FIG. 1;

FIG. 6 is a left side elevational view of the shackle of FIG. 1;

FIG. 7 is rear elevational view of the shackle of FIG. 1;

FIG. 8 is a bottom plan view of the shackle of FIG. 1;

See application file for complete search history.

FIG. 9 is a perspective view of a shackle according to a second preferred embodiment of my new design;

FIG. 10 is a second perspective view of the shackle of FIG. 9;

(56) **References Cited**

U.S. PATENT DOCUMENTS

228,656 A	6/1880	Loch	
1,522,851 A	1/1925	Wright	
1,690,041 A	10/1928	Sundquist	
2,375,488 A	5/1945	Olson	
2,904,985 A	9/1959	Murphy	
4,224,813 A	9/1980	Hampton	
D292,869 S	11/1987	Lebrecht	
4,829,795 A	5/1989	Taylor	
D520,339 S *	5/2006	Heppner	D8/343
D524,145 S *	7/2006	Heppner	D8/343
D528,401 S *	9/2006	Ruan	D8/343
D529,786 S *	10/2006	Heppner	D8/343
D533,764 S *	12/2006	Heppner	D8/343

FIG. 11 is a front elevational view of the shackle of FIG. 9;

FIG. 12 is a top plan view of the shackle of FIG. 9;

FIG. 13 is a right side elevational view of the shackle of FIG. 9;

FIG. 14 is left side elevational view of the shackle of FIG. 9;

FIG. 15 is a rear elevational view of the shackle of FIG. 9; and,

FIG. 16 is a bottom plan view of the shackle of FIG. 9.

The dashed lines in FIGS. 1-6 represent environment and are for illustrative purposes only and do not constitute part of the claimed design. The phantom lines in FIGS. 1-6 define the border between claimed and unclaimed matter.

* cited by examiner

Primary Examiner—Mitchell Siegel

1 Claim, 4 Drawing Sheets

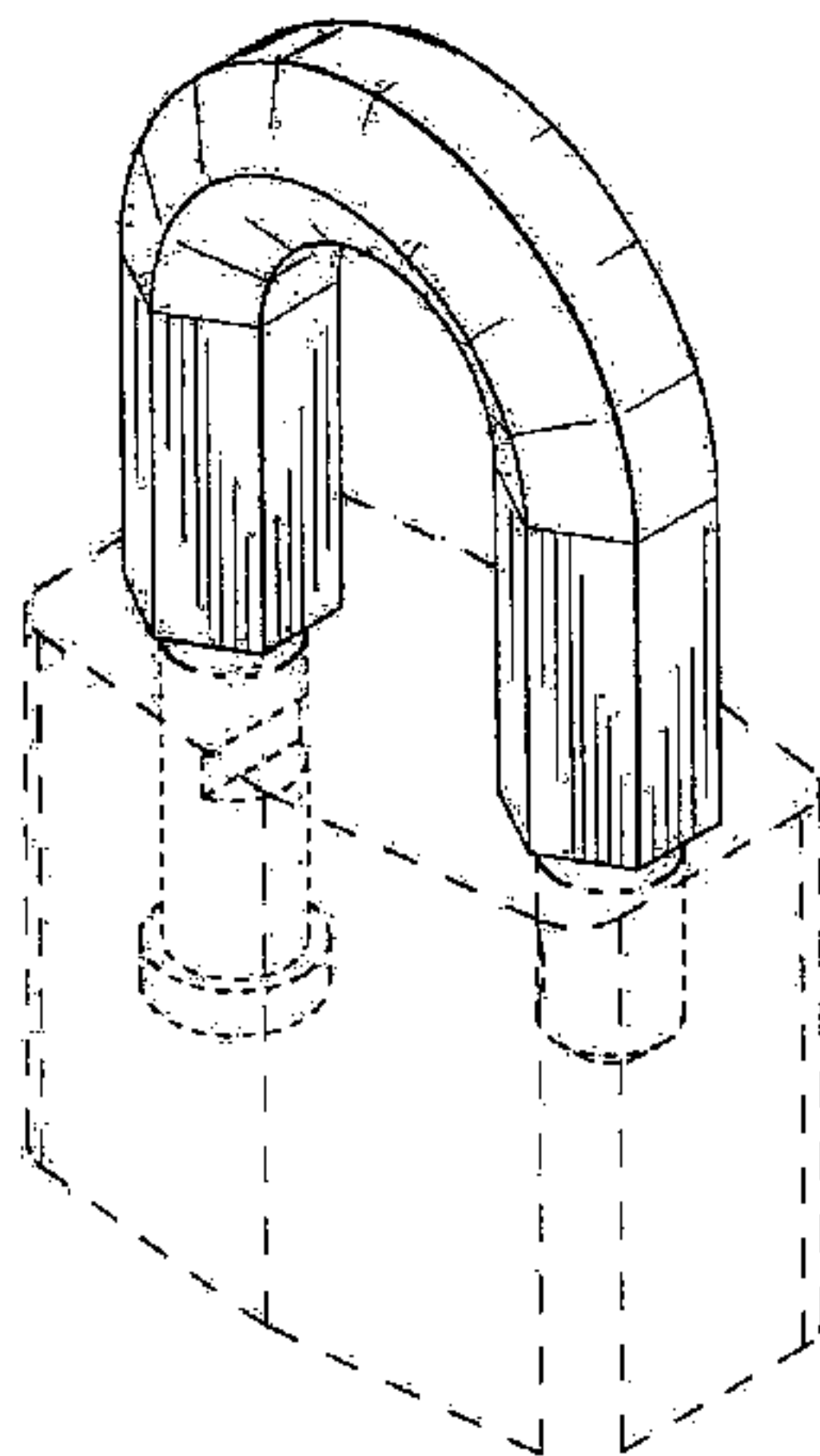


FIG. 1

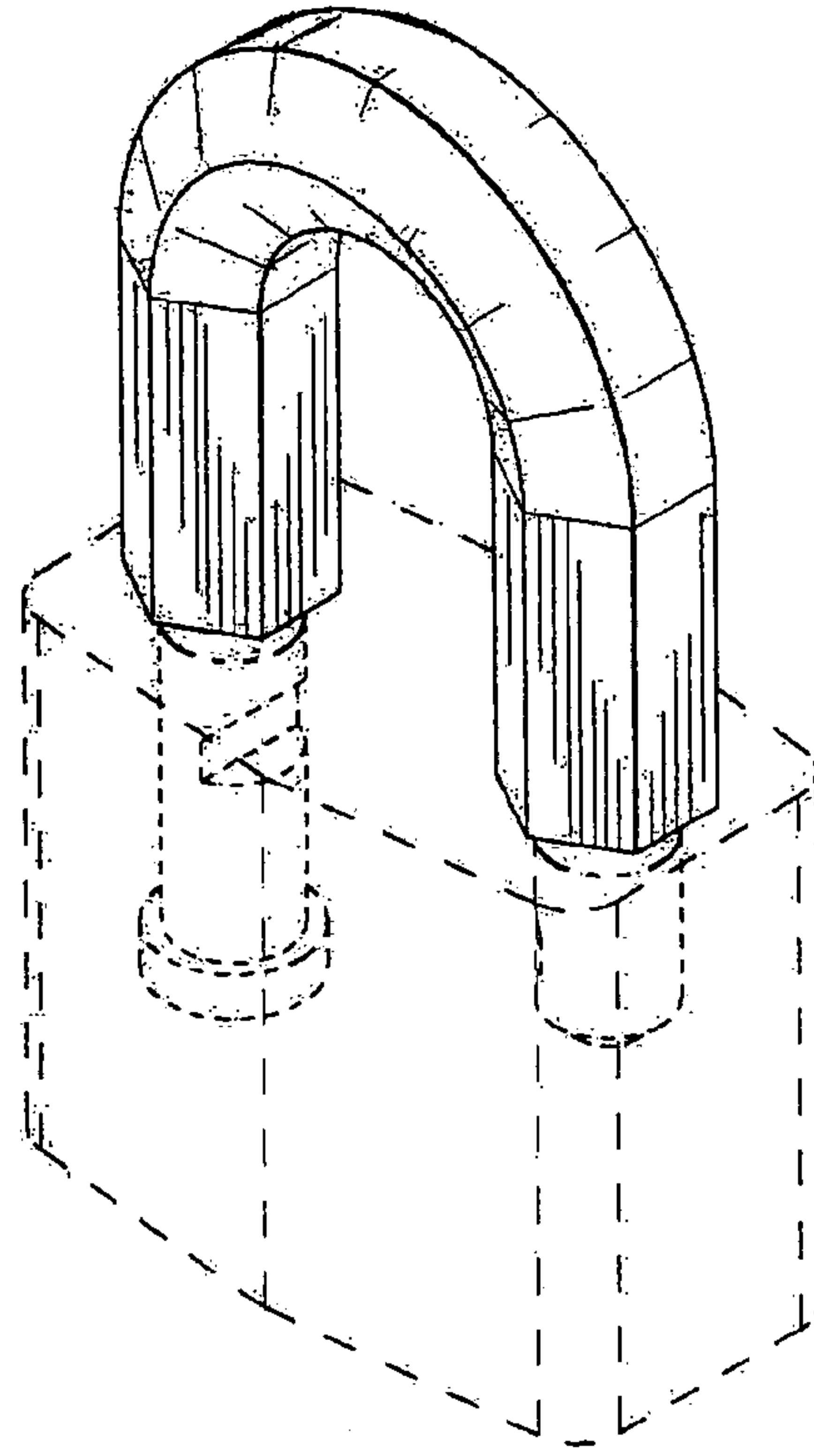


FIG. 3

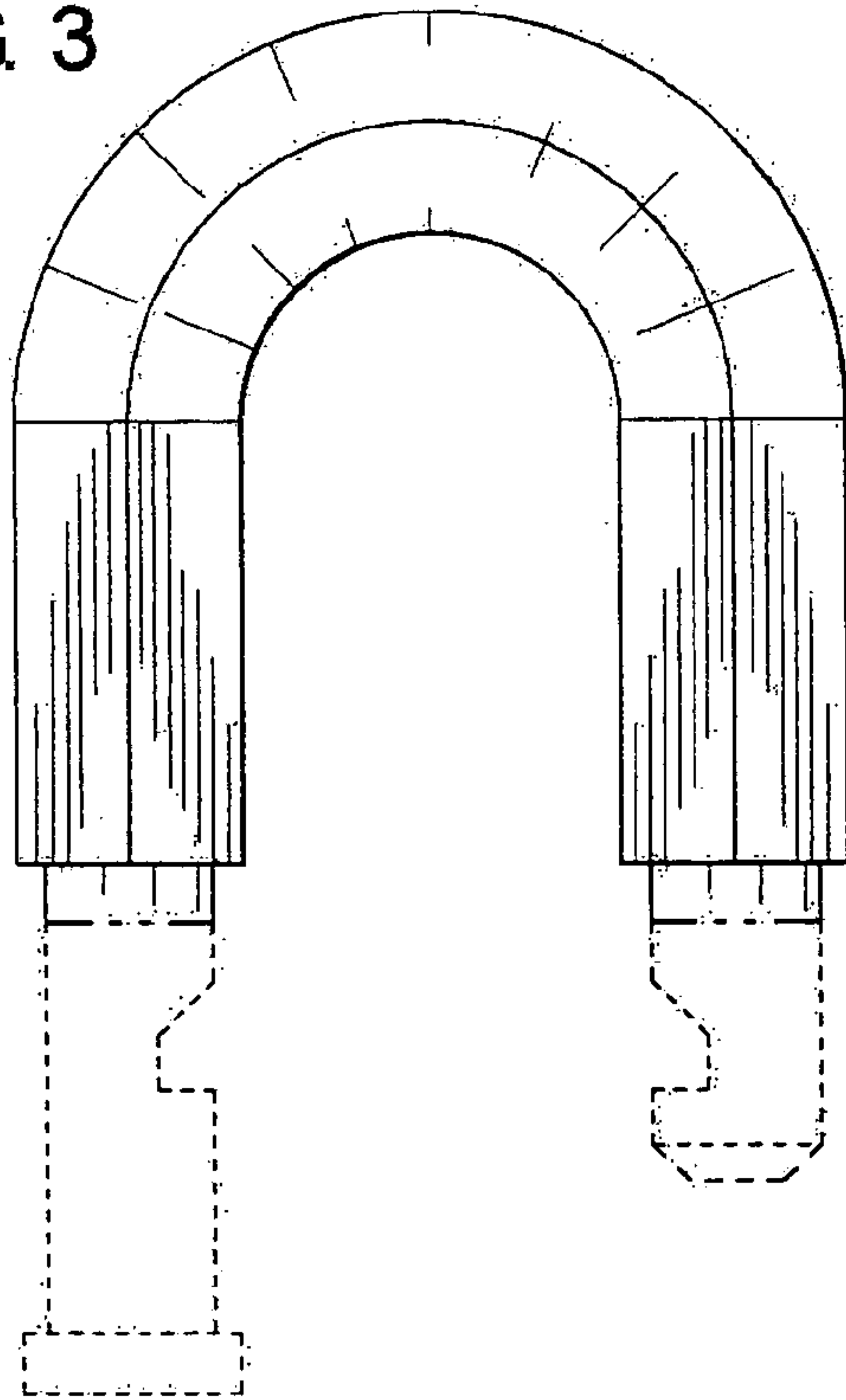


FIG. 2

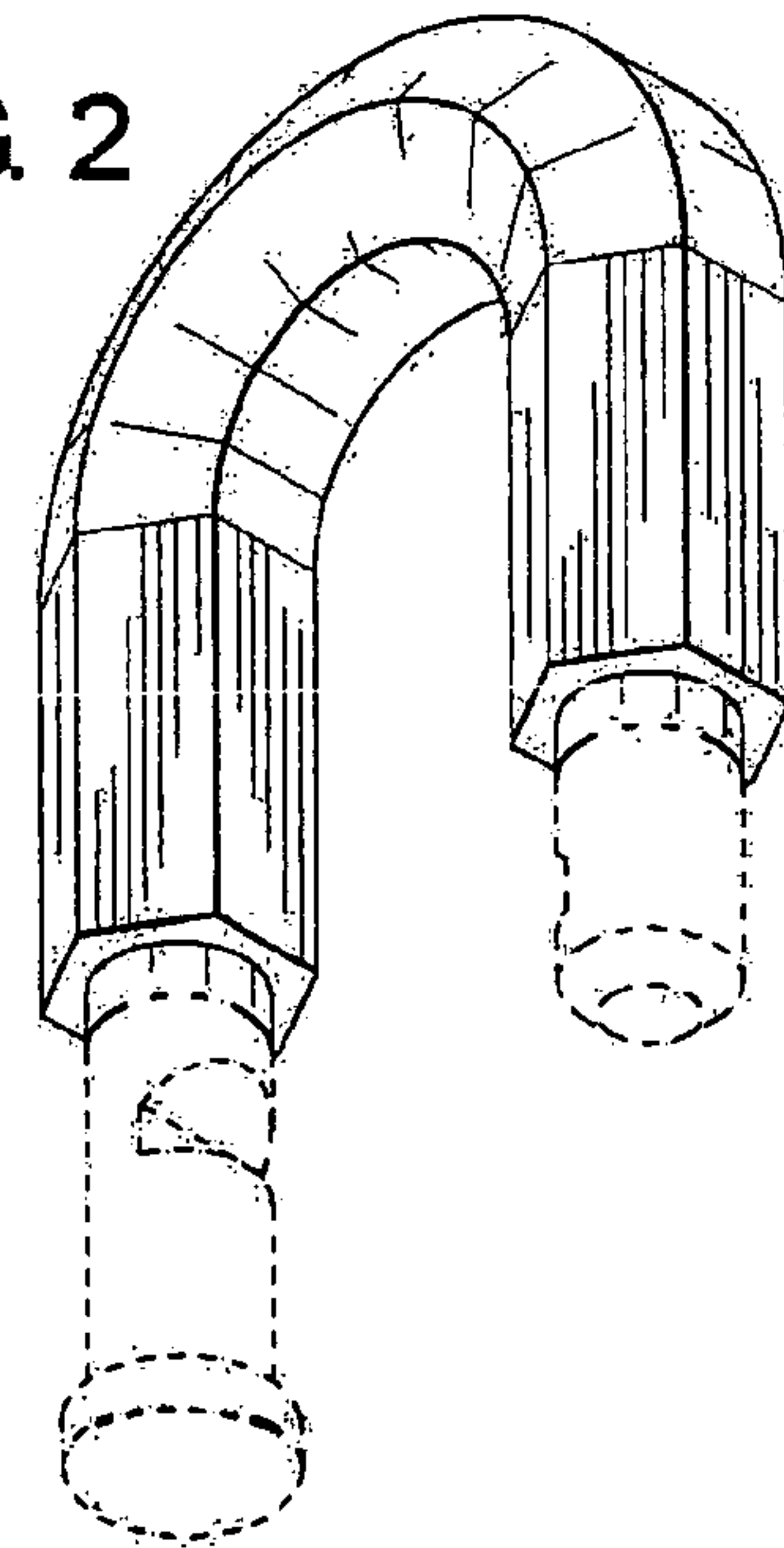
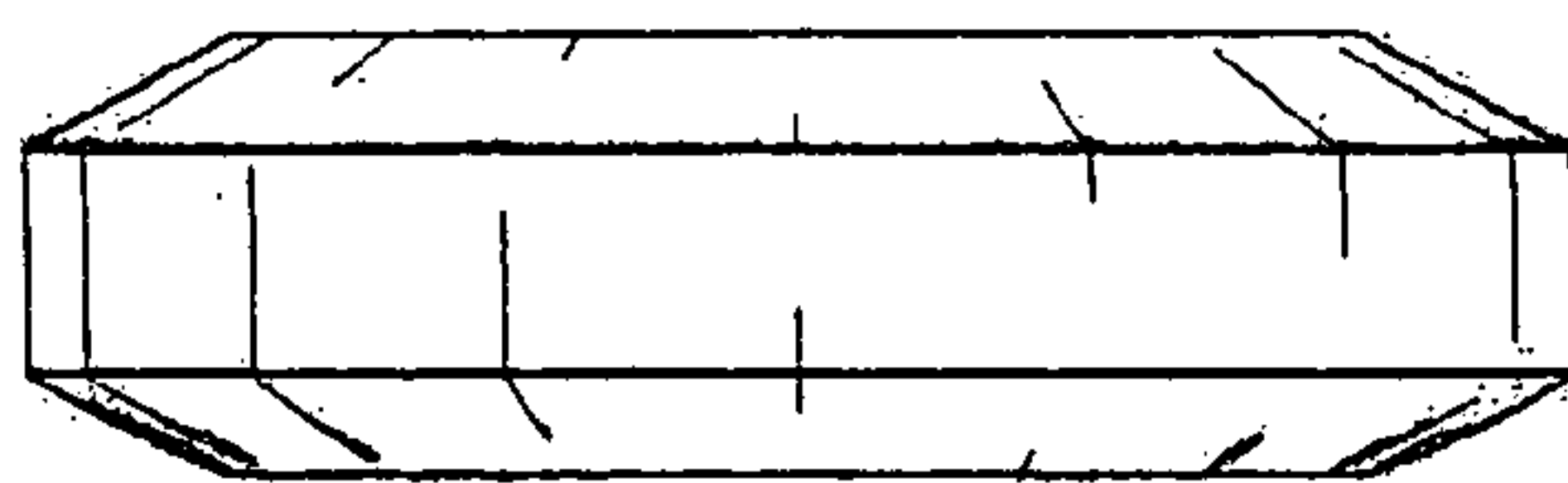


FIG. 4



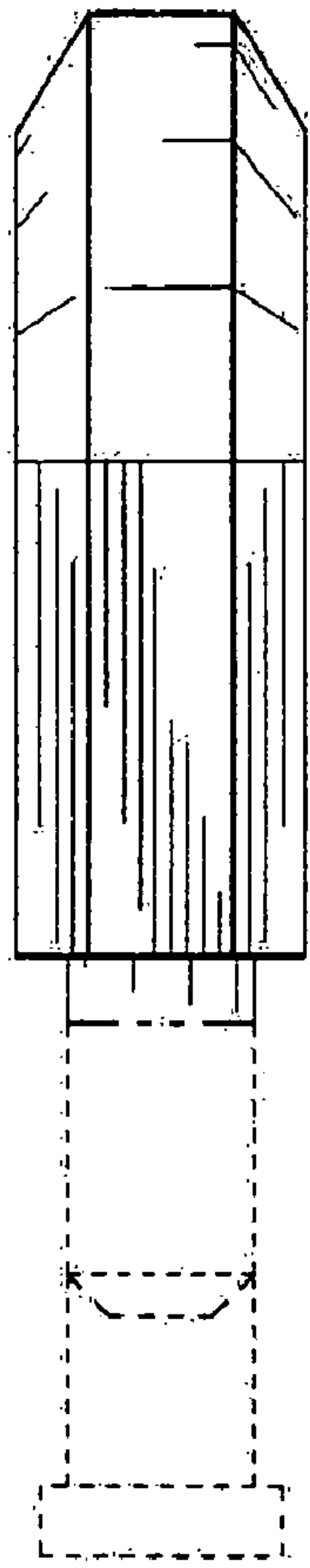


FIG. 5

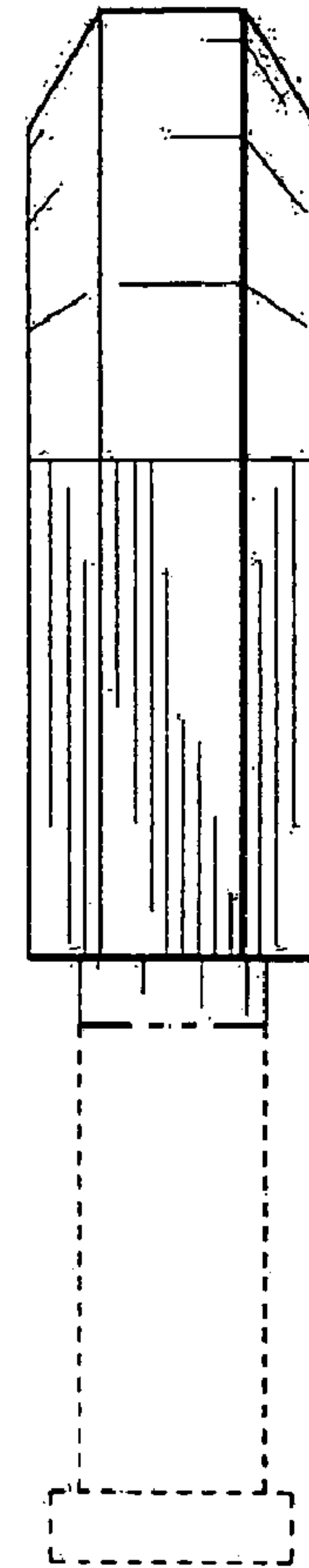


FIG. 6

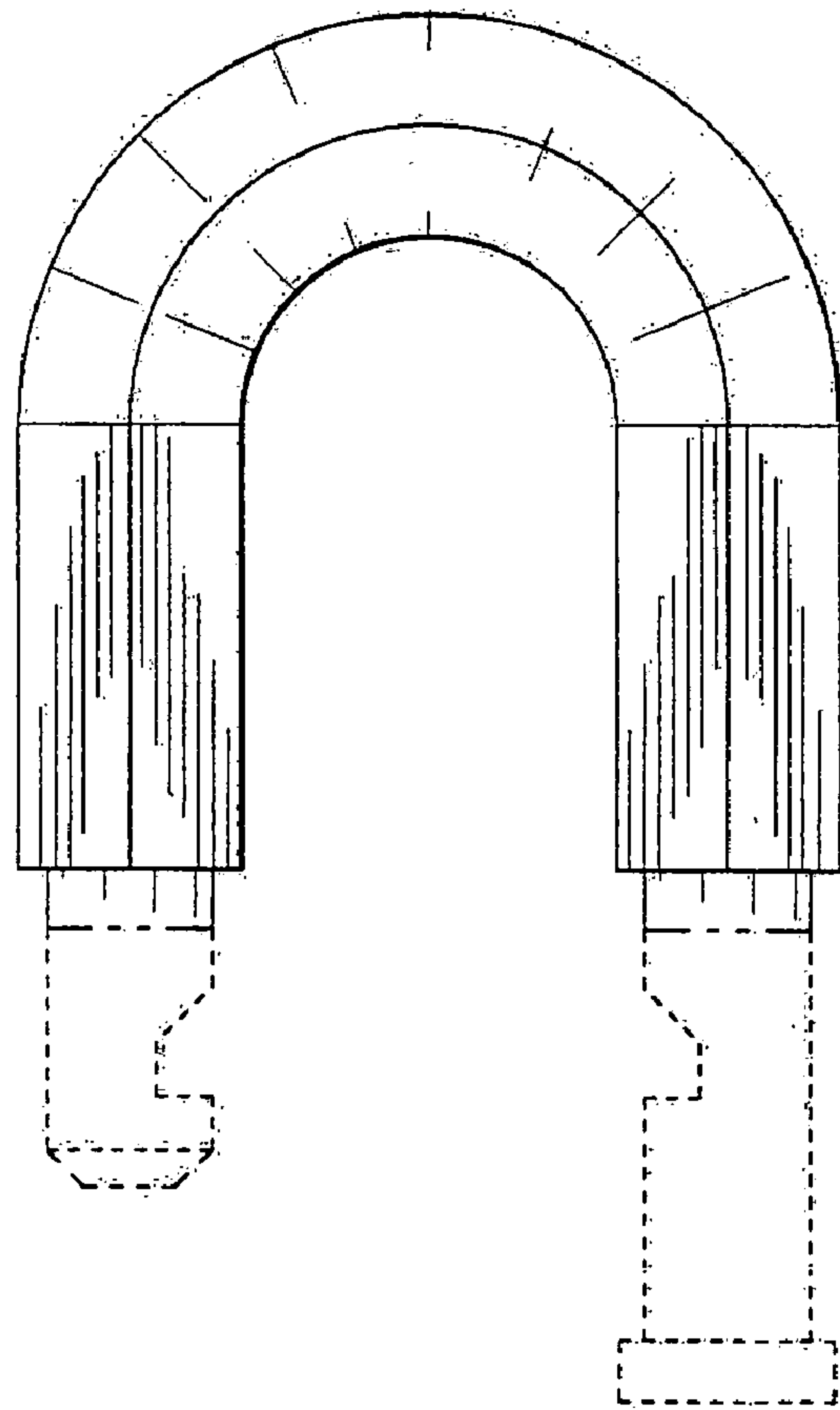


FIG. 7

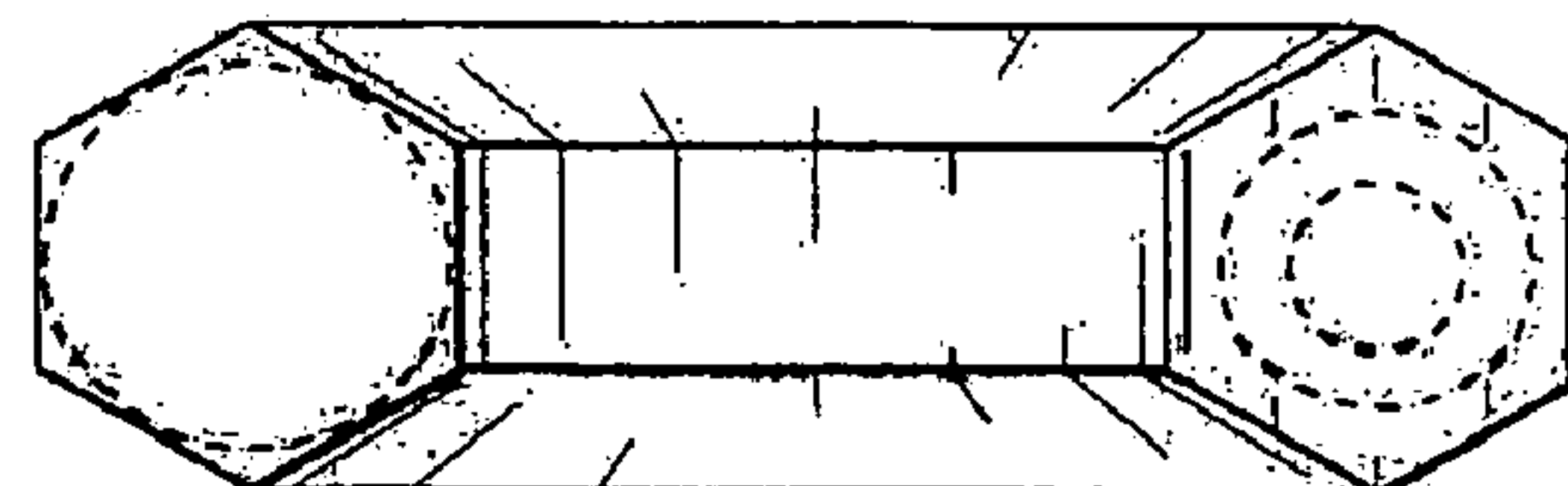


FIG. 8

FIG. 9

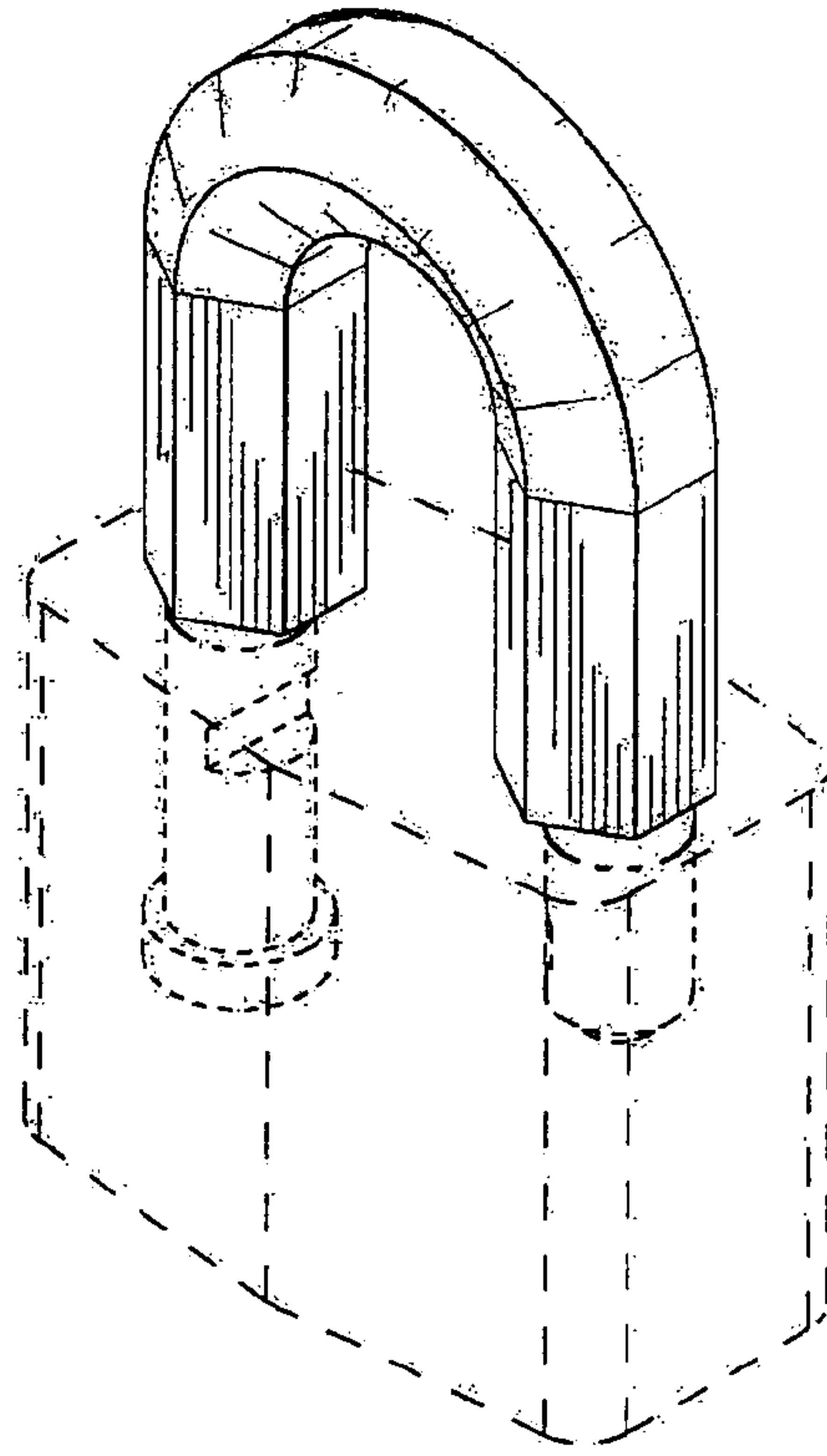


FIG. 11

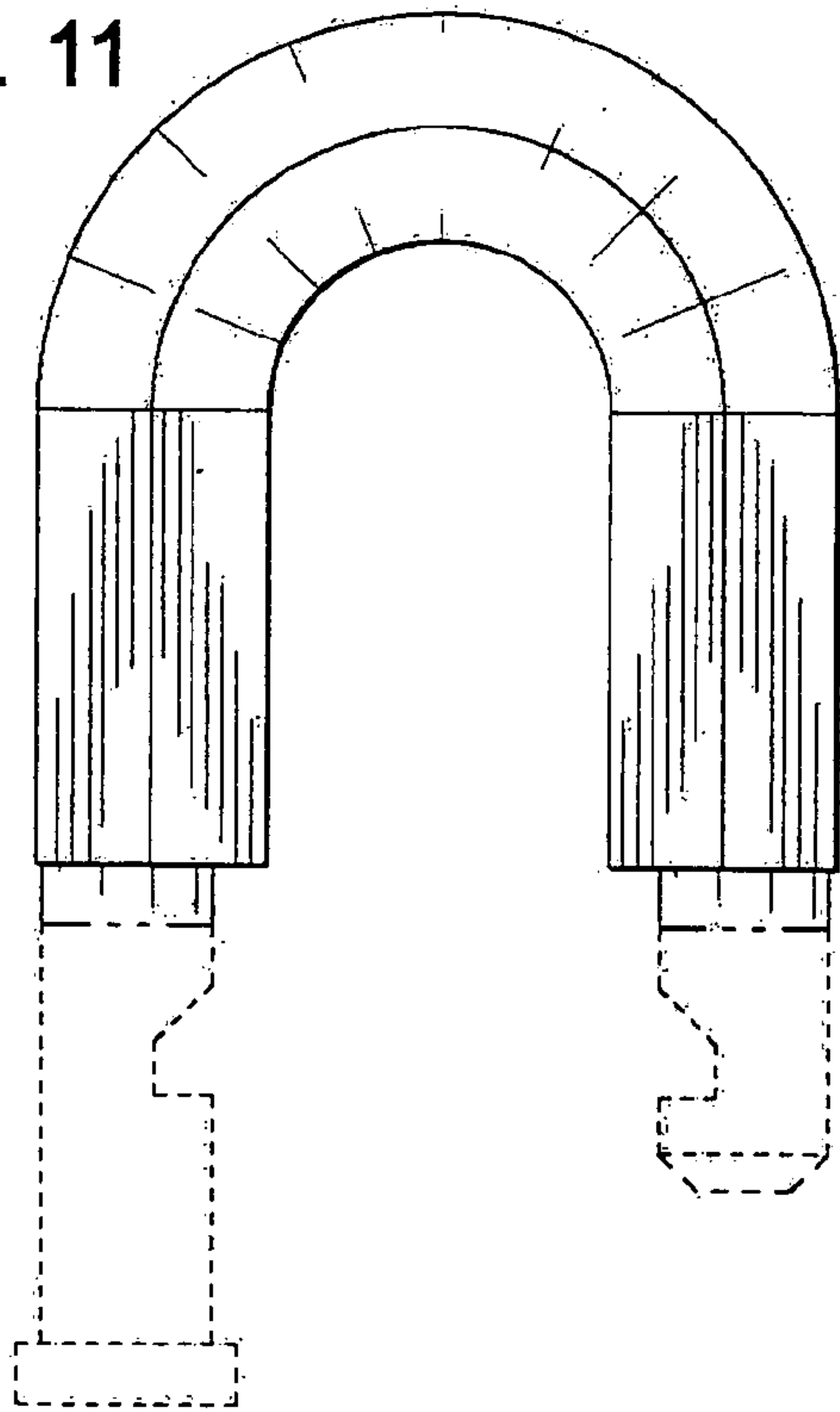


FIG. 10

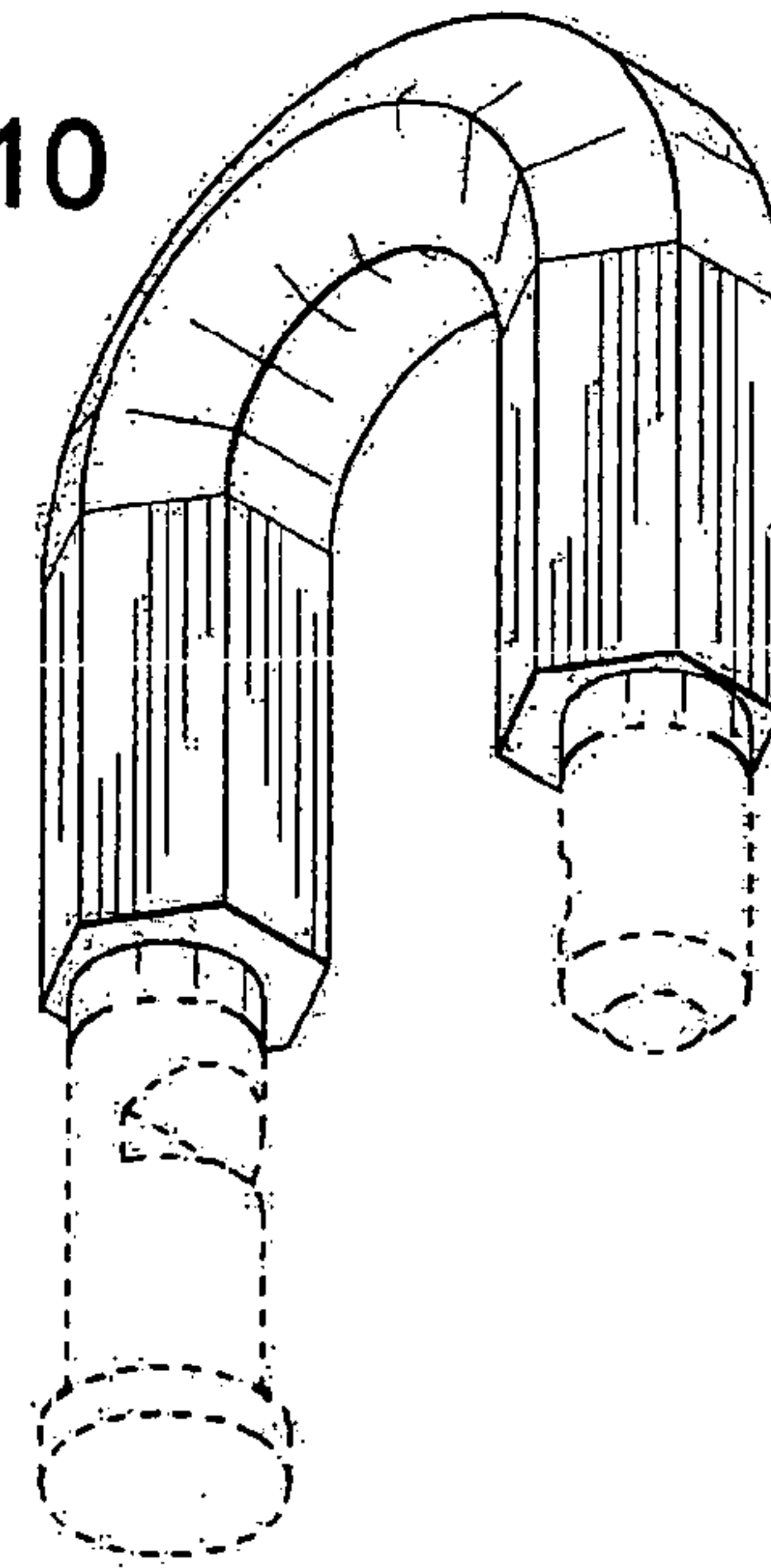
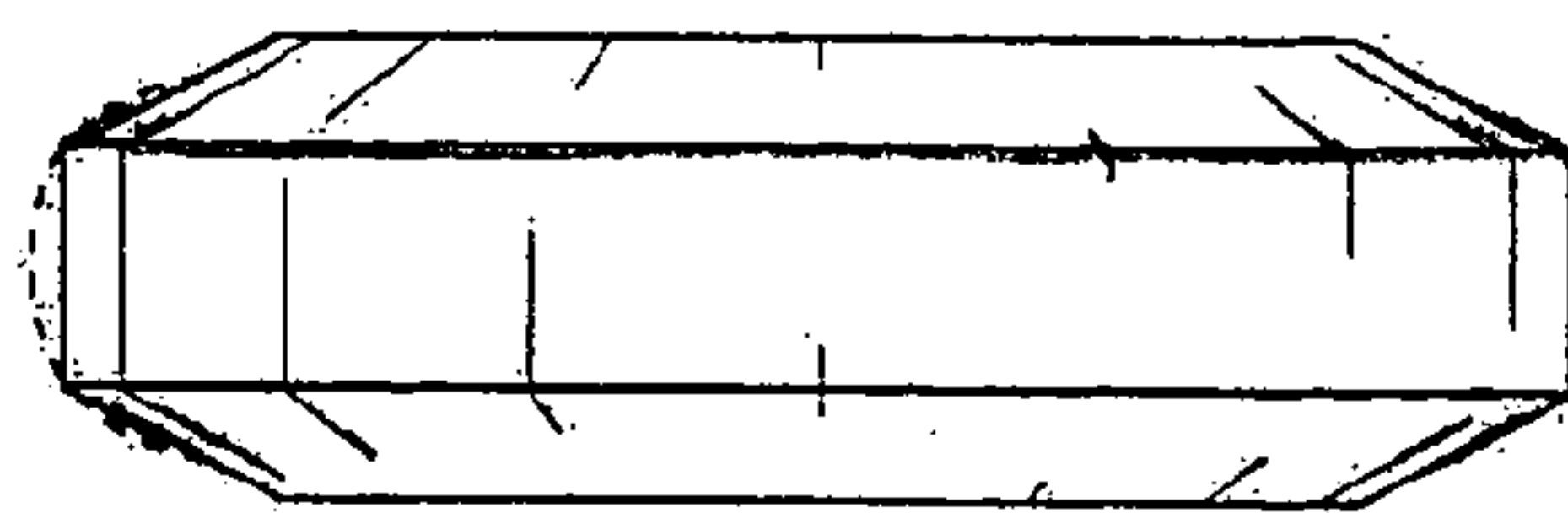


FIG. 12



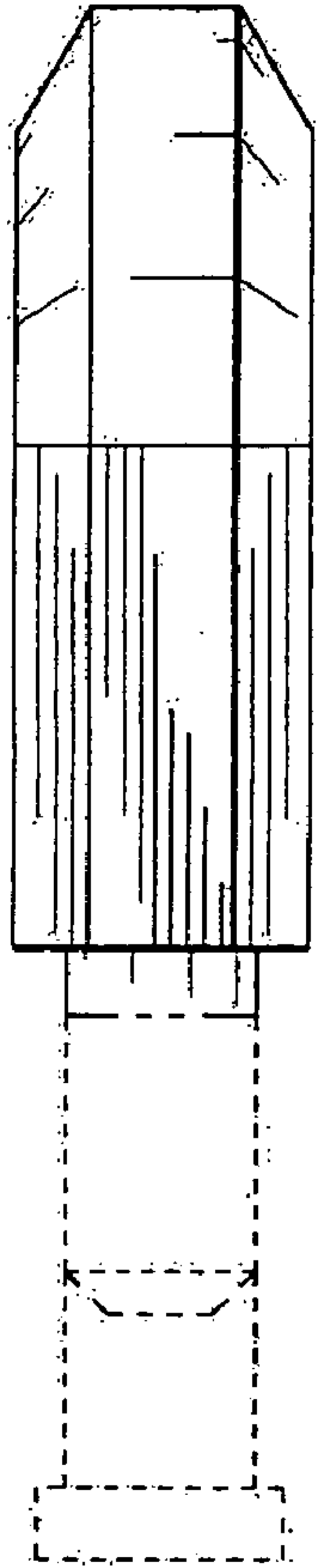


FIG. 13

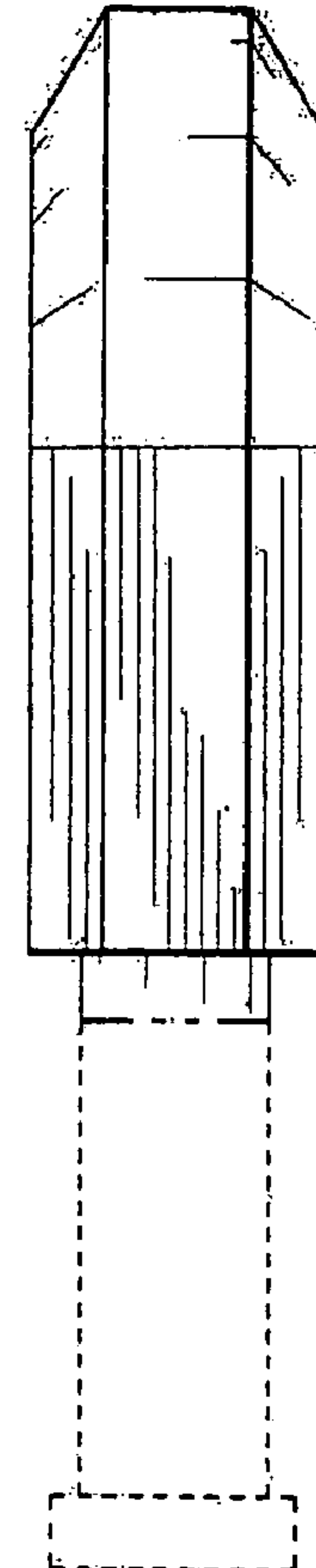


FIG. 14

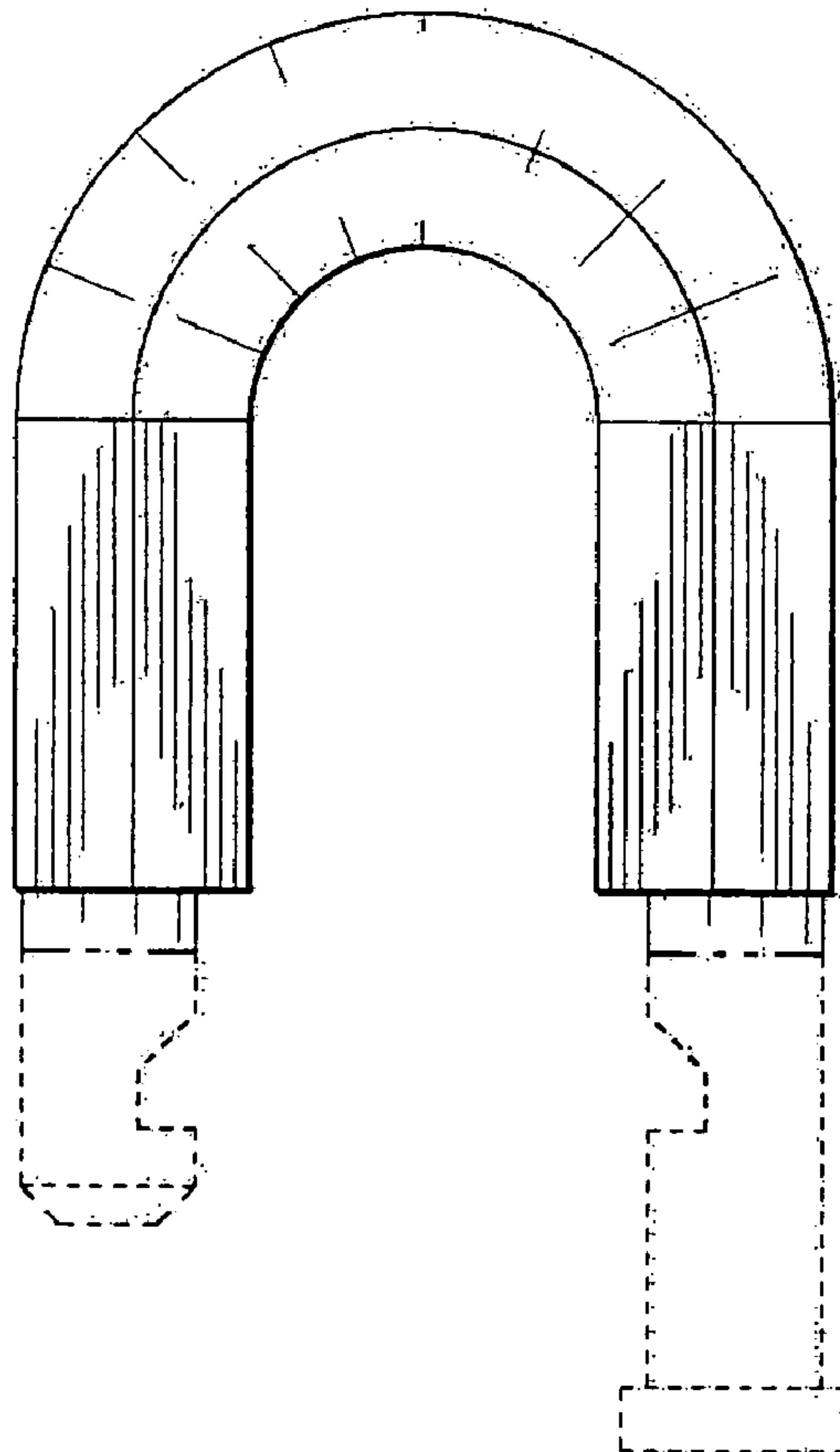


FIG. 15

FIG. 16

