

US00D548565S

(12) **United States Design Patent** (10) **Patent No.:** **US D548,565 S**  
**Vickers** (45) **Date of Patent:** **\*\* Aug. 14, 2007**

(54) **DRAW LATCH**

(57) **CLAIM**

(75) Inventor: **James H. Vickers**, Media, PA (US)

The ornamental design for a draw latch, as shown and described.

(73) Assignee: **Southco, Inc.**, Concordville, PA (US)

(\*\*) Term: **14 Years**

**DESCRIPTION**

(21) Appl. No.: **29/254,227**

FIG. 1 is a perspective view from the front left of a first embodiment of a draw latch embodying our new design;

(22) Filed: **Feb. 16, 2006**

FIG. 2 is a perspective view from the front right thereof;

(51) **LOC (8) Cl.** ..... **08-07**

FIG. 3 is a right side view thereof;

(52) **U.S. Cl.** ..... **D8/331**

FIG. 4 is a left side view thereof;

(58) **Field of Classification Search** ..... D8/330-348;  
D11/215-218, 200, 201, 231; 24/170, 176,  
24/191-193, 198, 200; 292/95, 113, 137,  
292/194, 200-203

FIG. 5 is a top view thereof;

FIG. 6 is a front view thereof;

See application file for complete search history.

FIG. 7 is a perspective view from the front left of a second embodiment of a draw latch embodying our new design;

FIG. 8 is a perspective view from the front right of the draw latch of FIG. 7;

(56) **References Cited**

**U.S. PATENT DOCUMENTS**

FIG. 9 is a perspective view from the rear of the draw latch of FIG. 7;

D187,492 S *	3/1960	Humphies	.....	D8/338
D188,469 S *	7/1960	Humphies	.....	D8/338
3,030,137 A *	4/1962	Tomkinson et al.	.....	292/113
4,540,206 A	9/1985	Frame et al.		
4,705,308 A	11/1987	Bisbing		
4,890,869 A	1/1990	Langkamp, Jr.		

FIG. 10 is a right side view of the draw latch of FIG. 7;

FIG. 11 is a left side view of the draw latch of FIG. 7;

FIG. 12 is a top view of the draw latch of FIG. 7;

FIG. 13 is a front view of the draw latch of FIG. 7; and,

FIG. 14 is a rear view of the draw latch of FIG. 7.

(Continued)

**OTHER PUBLICATIONS**

Southco, Inc. Handbook 2003, front and back covers and color pp. 169-199.

Southco, Inc. Handbook 2005, front and back covers and color pp. 66-83.

Color copies of photographs from www.adamhall.com, Feb. 2006.

Color copies of photographs from www.adamhall.com, May 2006.

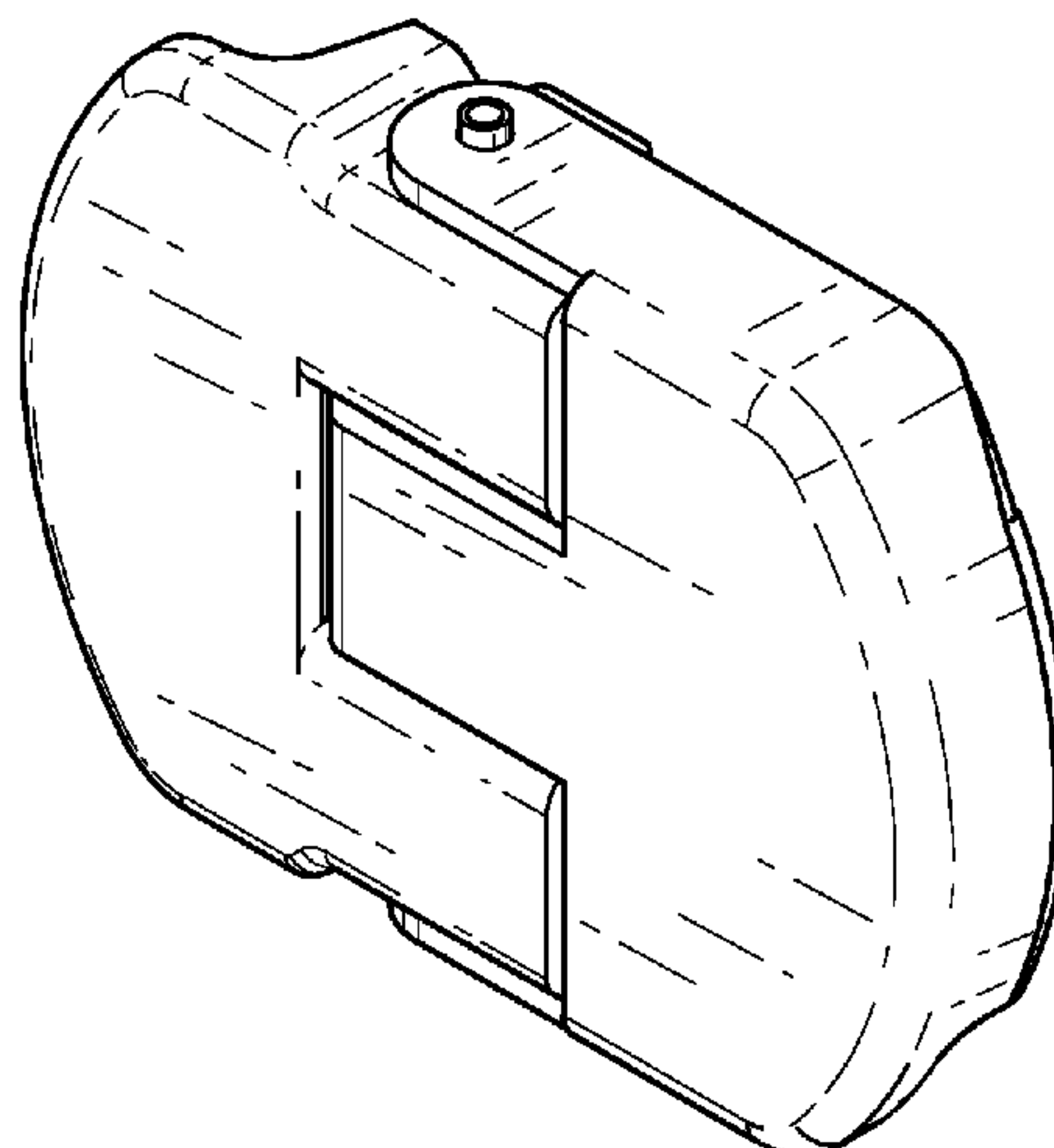
Color copies of photographs from www.adamhall.com, Feb. 2006 and May 2006.

The bottom view of the first and second embodiments of the draw latch shown in the drawing figures does not form part of the claimed design. The rear view of the first embodiment of the draw latch shown in drawing FIGS. 1-6 does not form part of the claimed design. The drawings filed herewith are informal drawings that contain computer generated tangent lines provided to aid in the visualization of the three dimensional surface contours of the illustrated article. The tangent lines will be replaced by surface shading where appropriate when formal drawings are submitted.

*Primary Examiner*—Mitchell Siegel

(74) *Attorney, Agent, or Firm*—Paul & Paul

**1 Claim, 5 Drawing Sheets**



# US D548,565 S

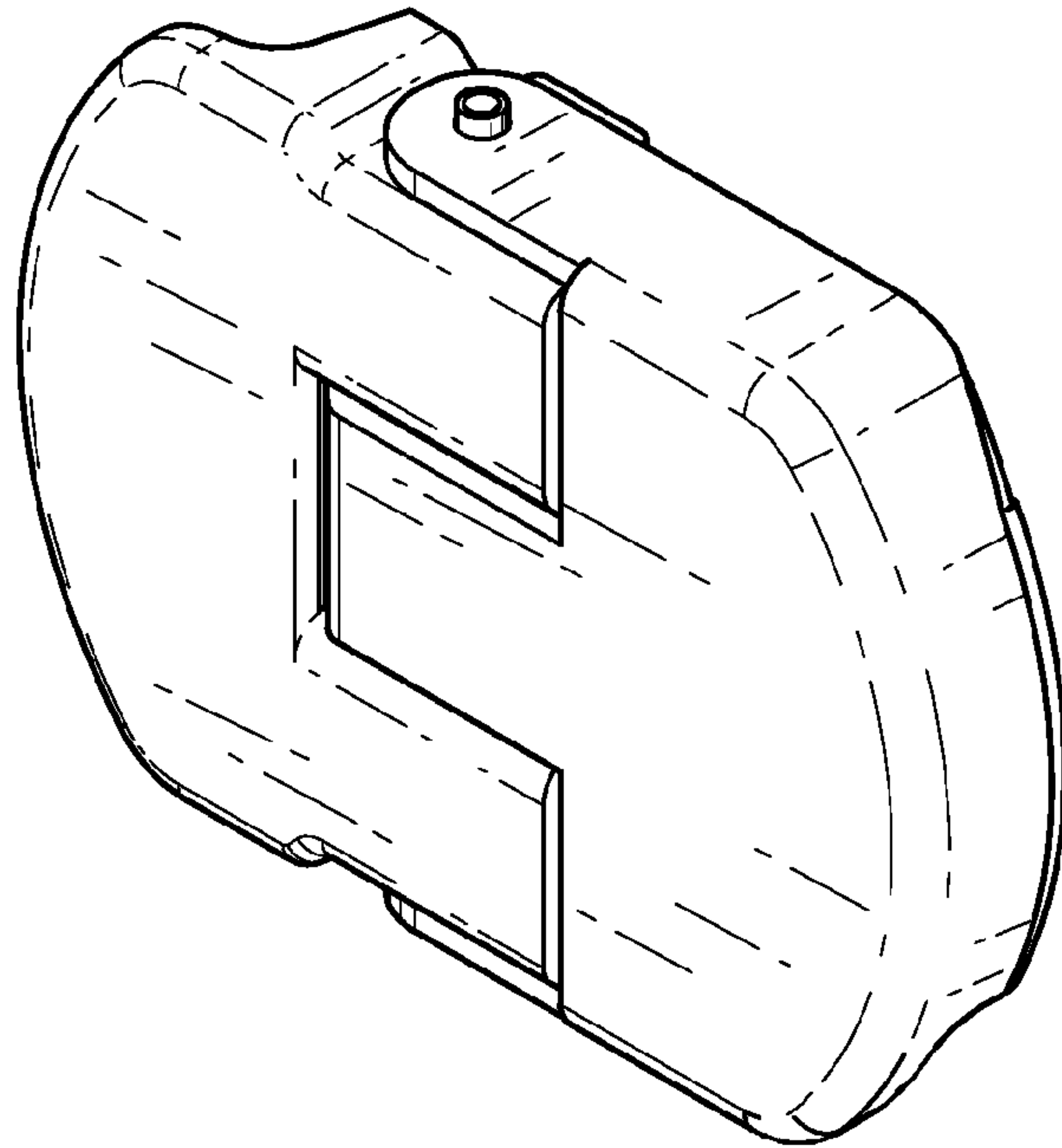
Page 2

---

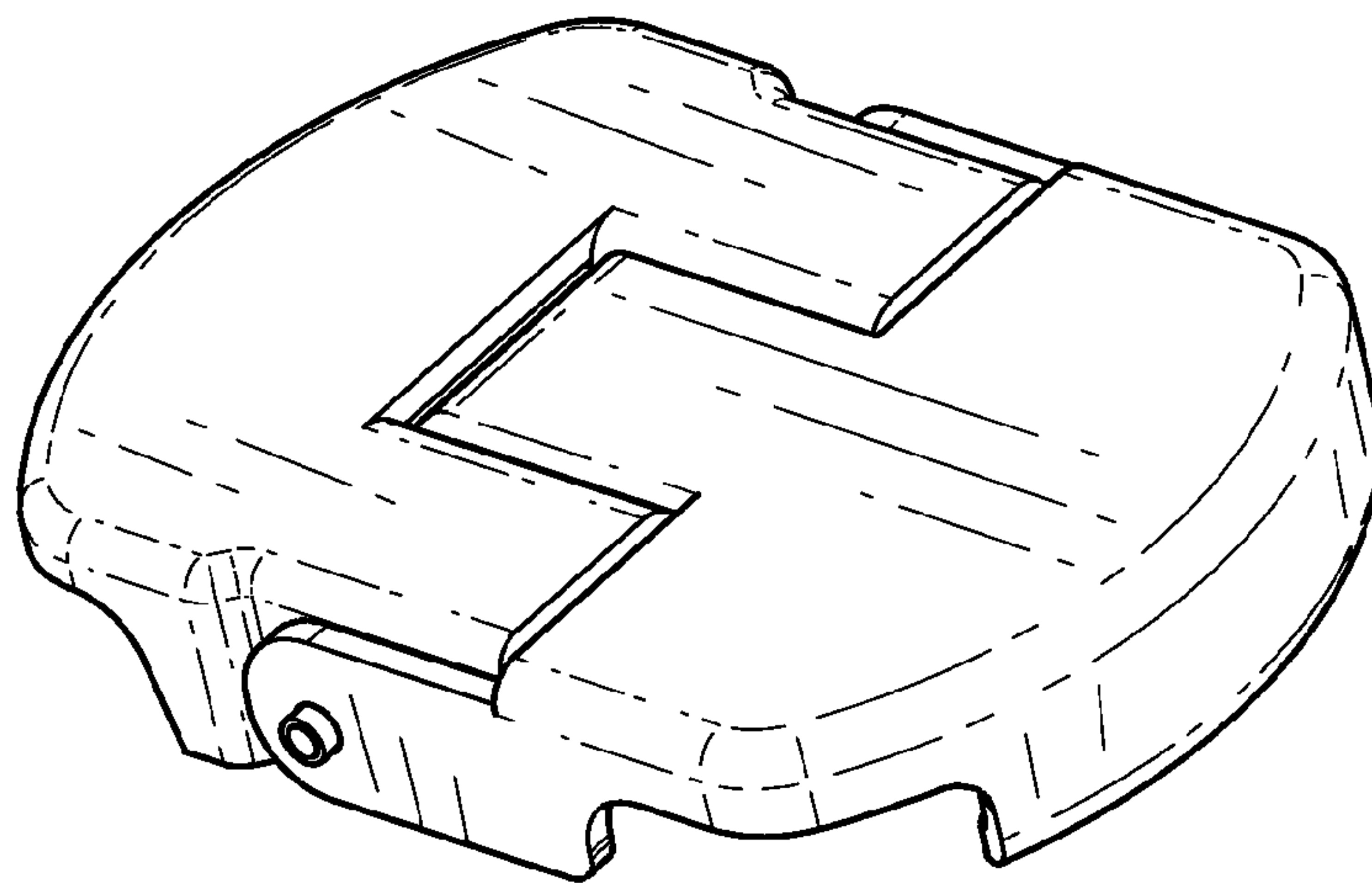
## U.S. PATENT DOCUMENTS

5,271,649	A	12/1993	Gromotka				
D362,413	S *	9/1995	Takimoto .....	D11/216			
5,452,926	A *	9/1995	Takimoto .....	292/113			
5,478,125	A	12/1995	Gromotka				
D366,856	S *	2/1996	Takimoto .....	D11/218			
D370,619	S *	6/1996	Hall et al. ....	D8/338			
D371,954	S	7/1996	Ford et al.				
D374,806	S	10/1996	Ford et al.				
D377,141	S	1/1997	Ford et al.				
D377,446	S	1/1997	Ford et al.				
5,655,799	A *	8/1997	Takimoto .....	292/113			
5,667,258	A *	9/1997	Takimoto .....	292/113			
6,076,865	A	6/2000	Sokurenko et al.				
6,179,350	B1	1/2001	Ely et al.				
6,257,631	B1	7/2001	Sokurenko et al.				
6,457,750	B1	10/2002	Sokurenko et al.				
D533,434	S *	12/2006	Riblett et al. ....	D8/331			

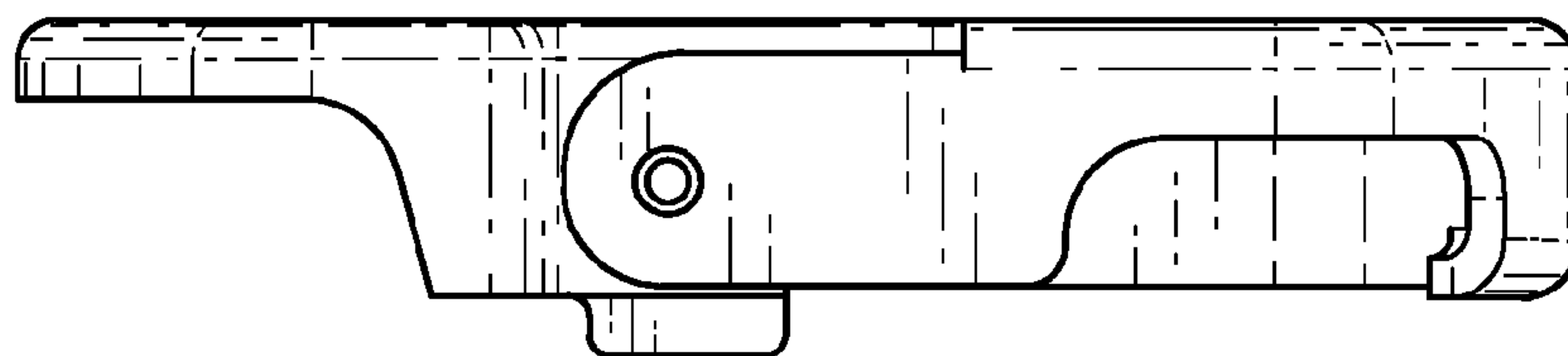
\* cited by examiner



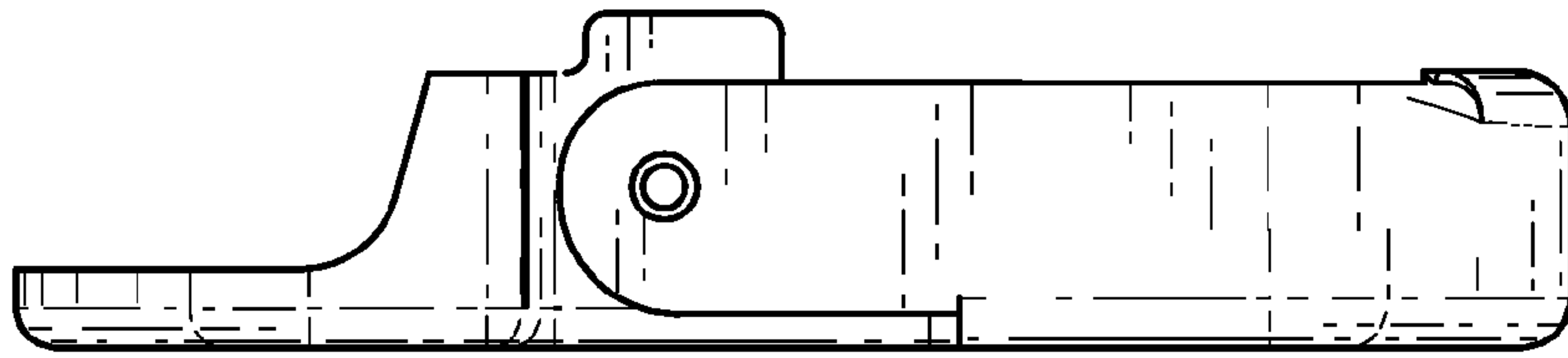
*FIG. 1*



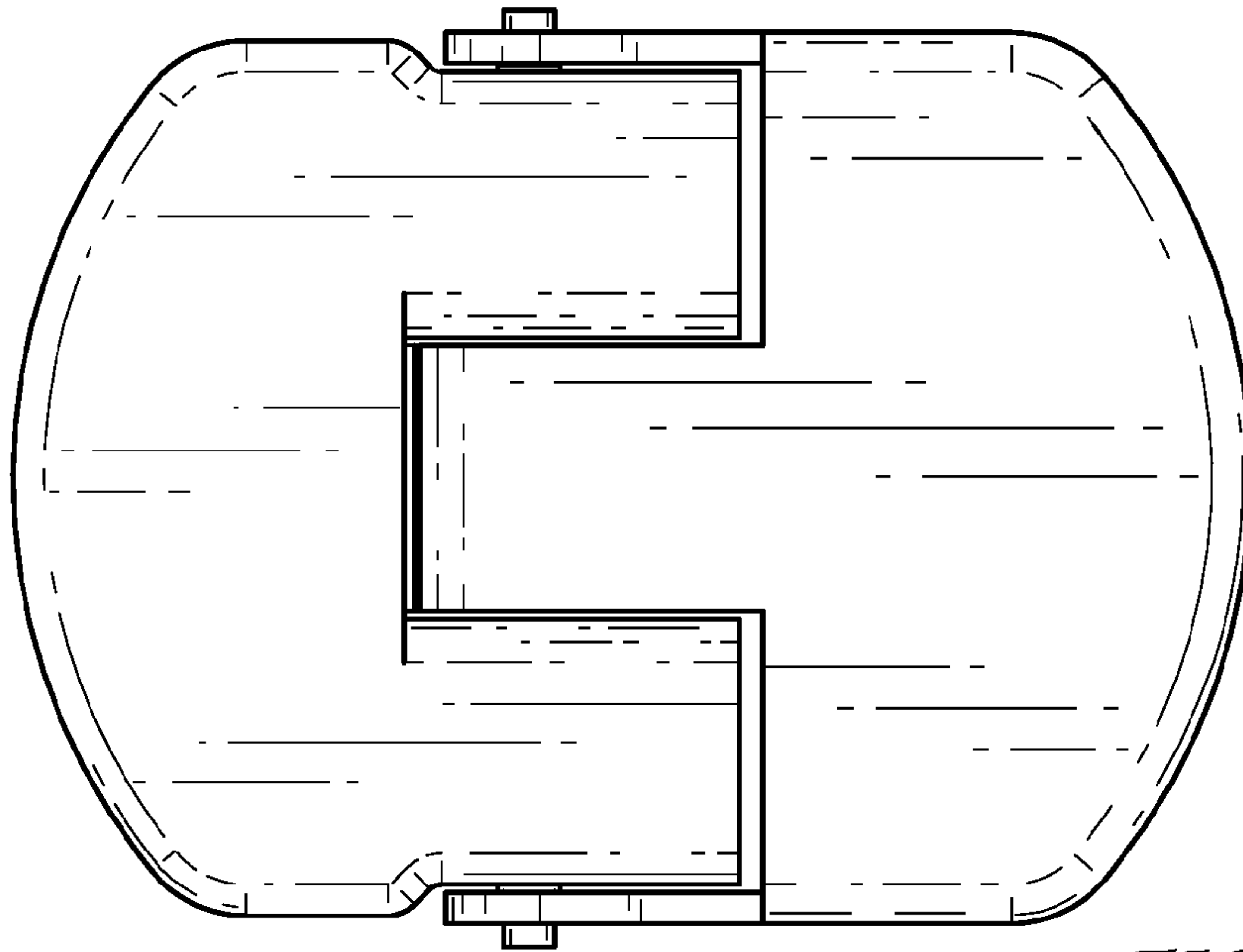
*FIG. 2*



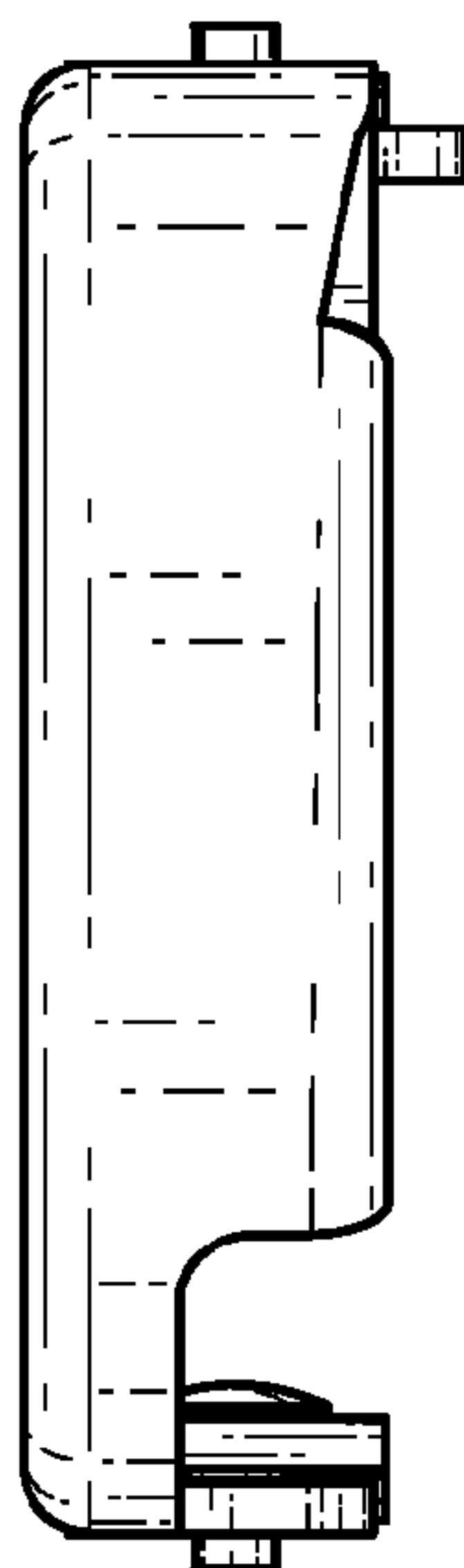
*FIG. 3*



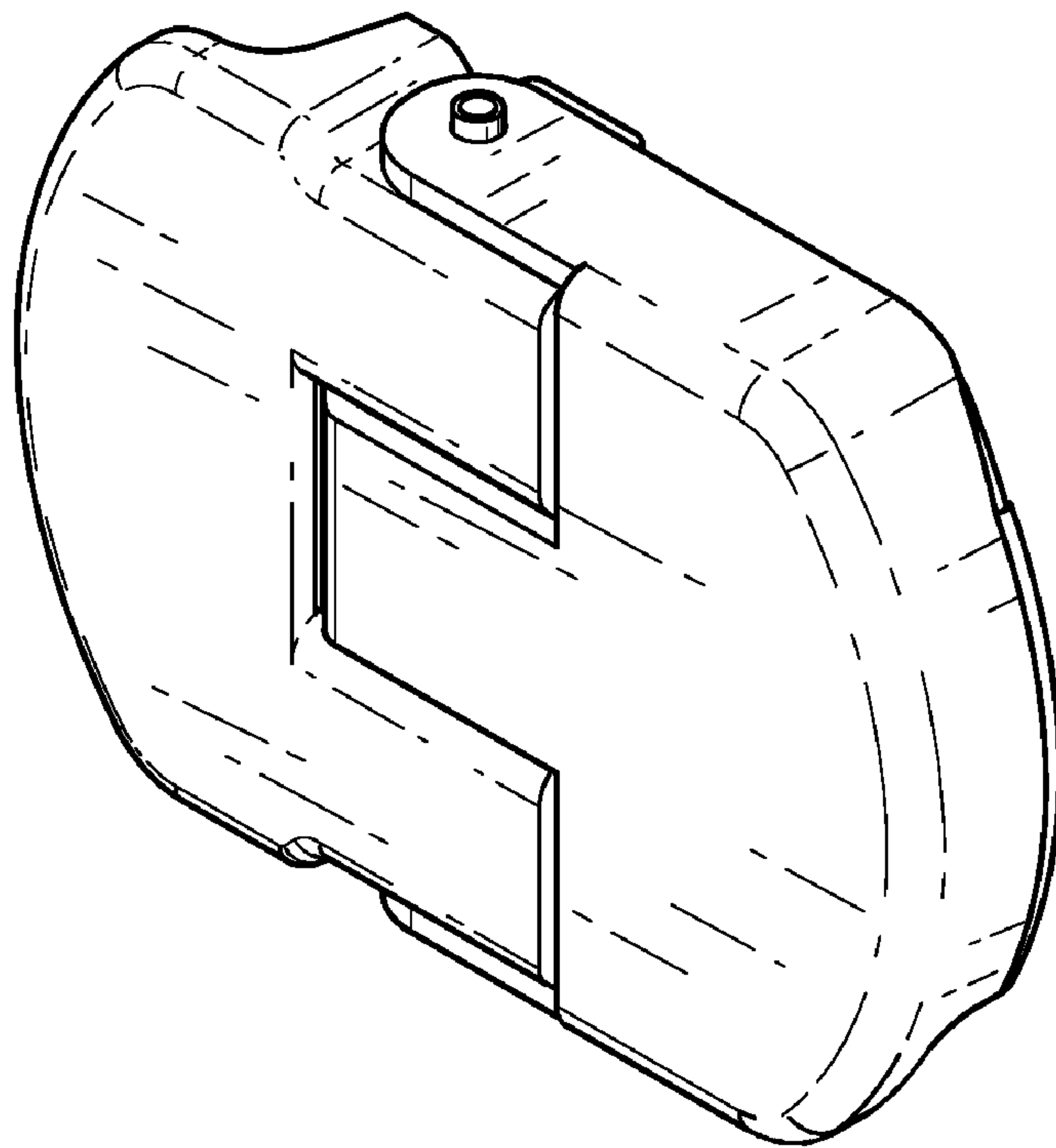
*FIG. 4*



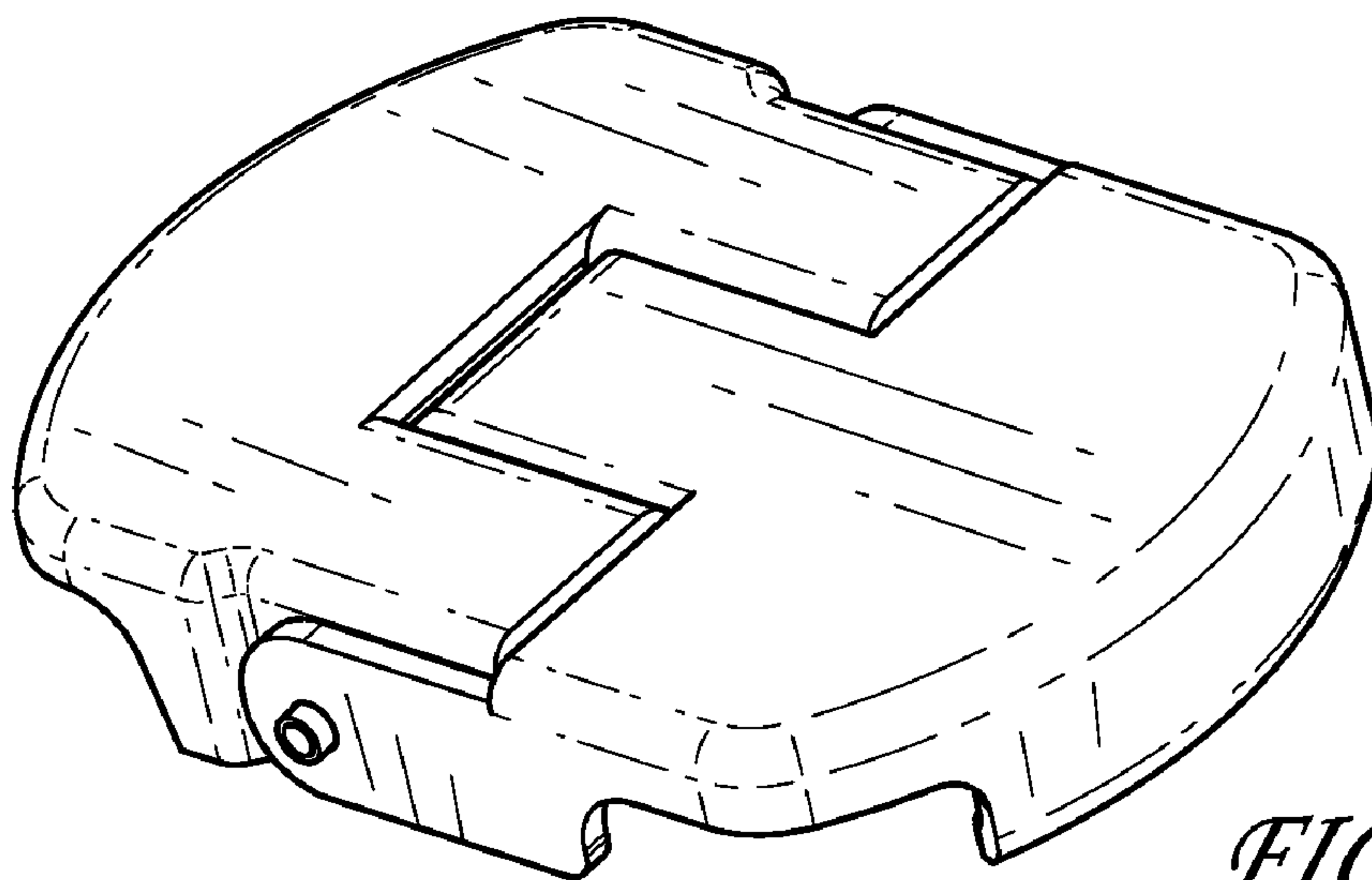
*FIG. 5*



*FIG. 6*

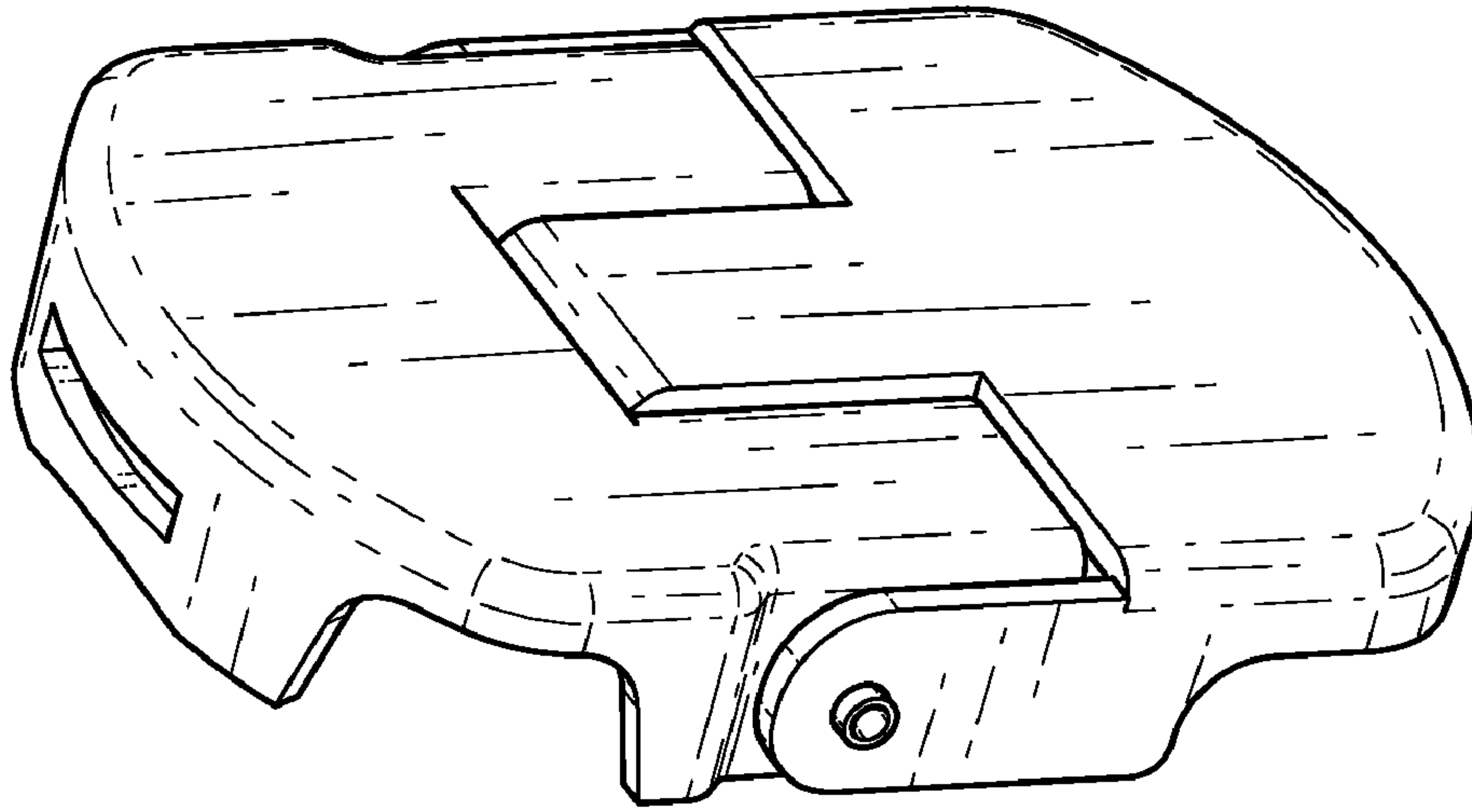


*FIG. 7*

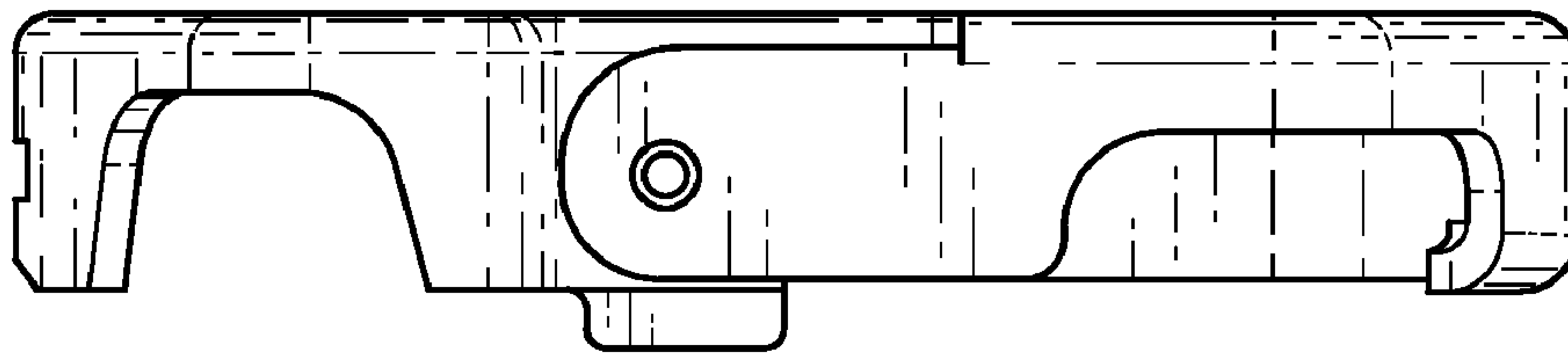


*FIG. 8*

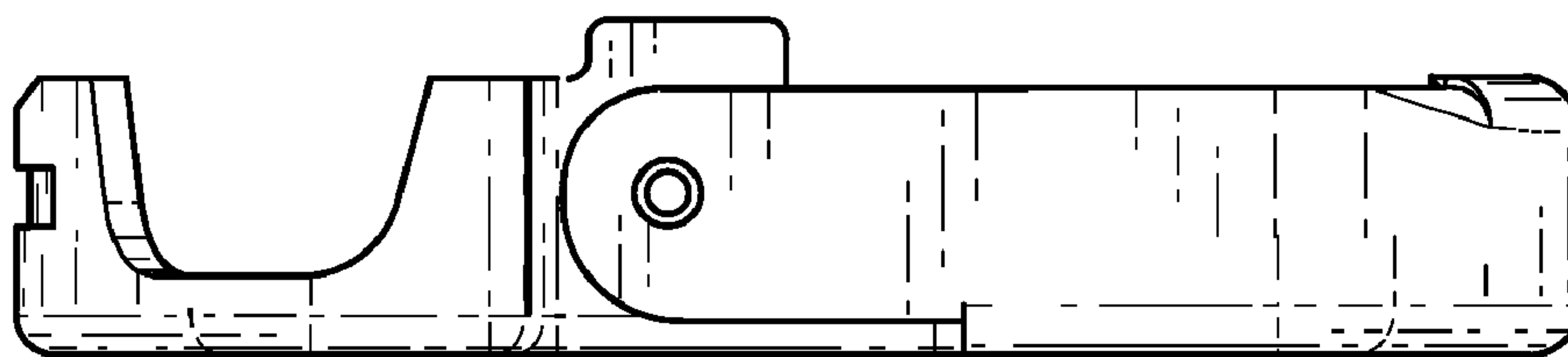




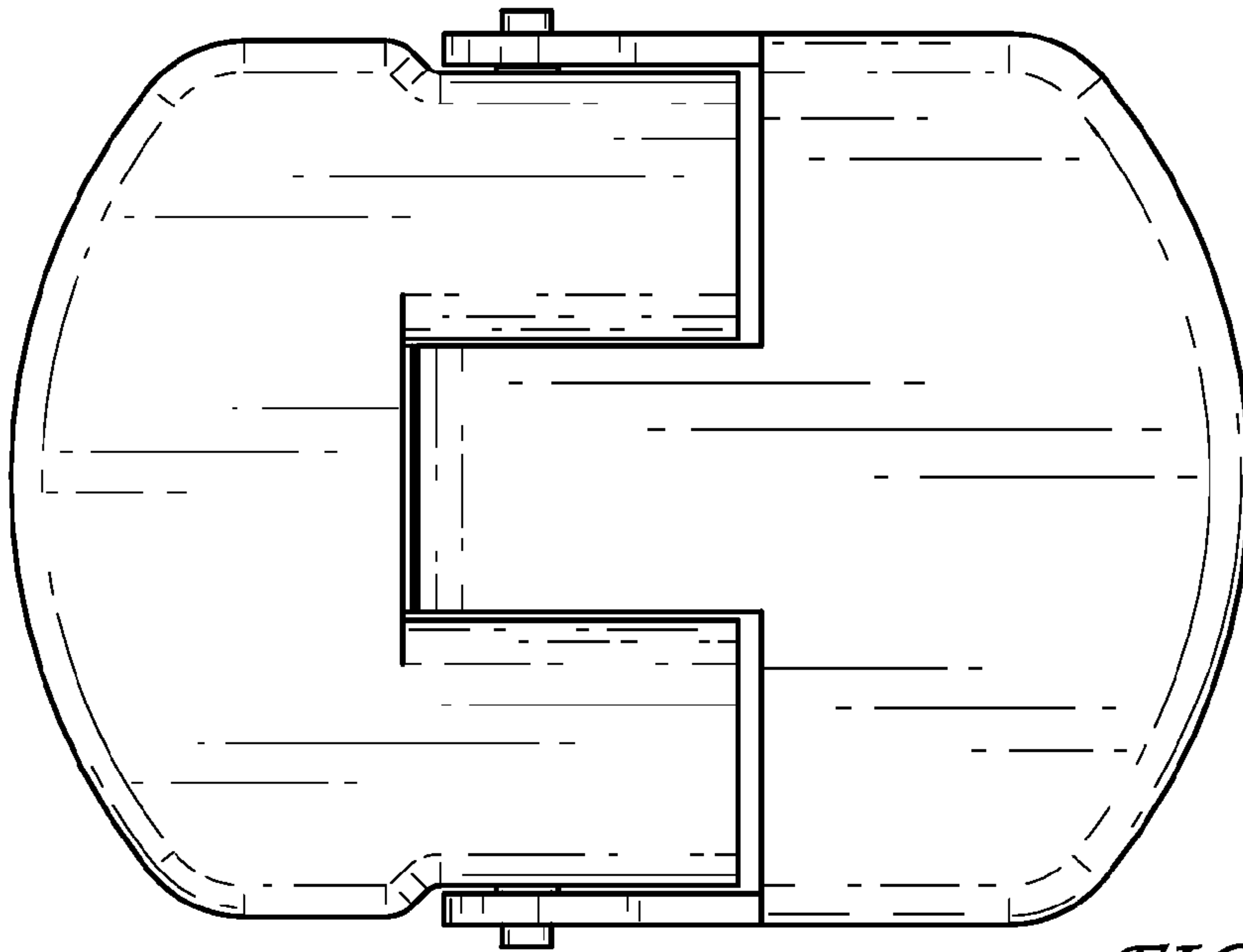
*FIG. 9*



*FIG. 10*

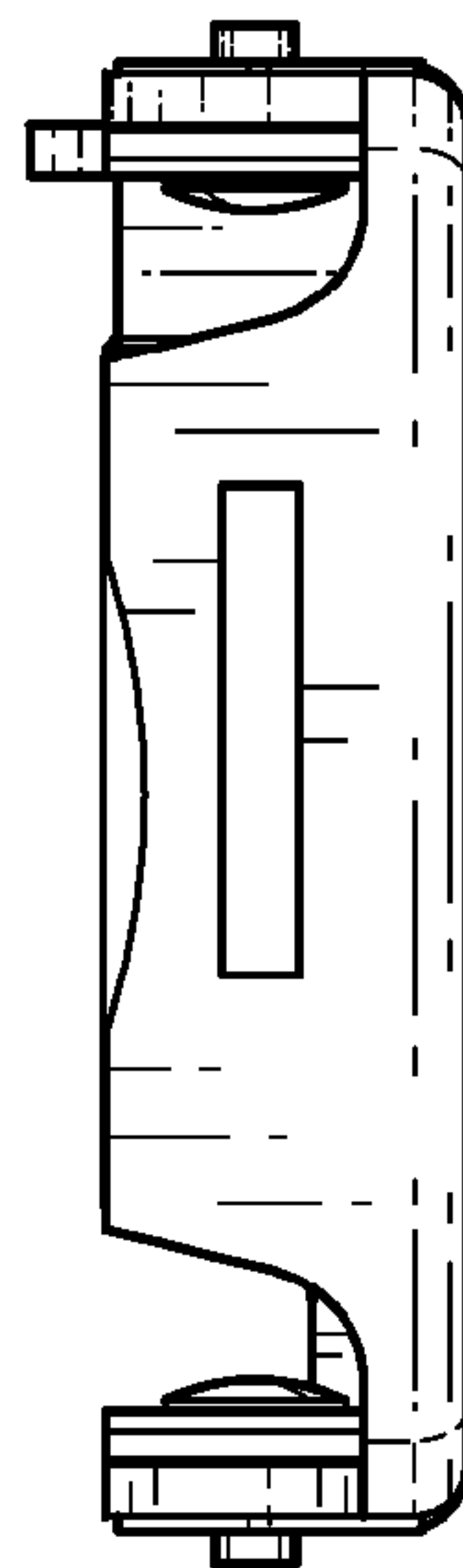
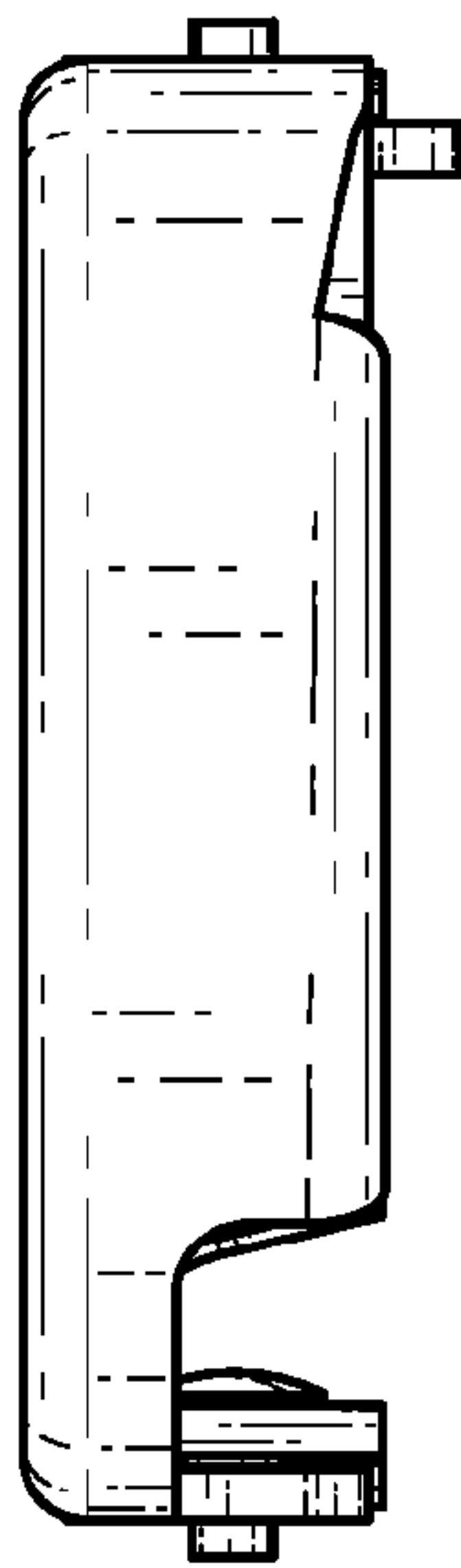


*FIG. 11*



*FIG. 12*

*FIG. 13*



*FIG. 14*