

US00D548564S

(12) **United States Design Patent**
Frantz

(10) **Patent No.:** **US D548,564 S**

(45) **Date of Patent:** **** Aug. 14, 2007**

(54) **HEX-HEAD LOCK**

D526,546 S * 8/2006 Jirele et al. D8/29

(76) Inventor: **Donald R. Frantz**, c/o Frantz Machine Products, Inc., 1785 S. Johnson Rd., New Berlin, WI (US) 53146

* cited by examiner

Primary Examiner—Mitchell Siegel
(74) *Attorney, Agent, or Firm*—Joseph S. Heino; Patrick M. Bergin

(**) Term: **14 Years**

(21) Appl. No.: **29/248,374**

(57) **CLAIM**

(22) Filed: **Aug. 11, 2006**

The ornamental design for a lock, as shown and described.

(51) **LOC (8) Cl.** **08-07**

DESCRIPTION

(52) **U.S. Cl.** **D8/331**

(58) **Field of Classification Search** D8/29,
D8/330–348; 81/121.1, 436, 186; 70/229–232,
70/14, 34, 258, 181, 91, 23; 301/35, 62,
301/111, 122.5; 411/427, 910, 432, 368;
292/86, 156, 119, 42

FIG. 1 is a left side, top and front perspective view of the lock showing my new design and showing the lock in the “locked” position;

FIG. 2 is a top plan view thereof, the bottom plan view being a mirror image;

See application file for complete search history.

FIG. 3 is a front view thereof;

(56) **References Cited**

FIG. 4 is a left side elevational view thereof, the right side elevational view being a mirror image; and

U.S. PATENT DOCUMENTS

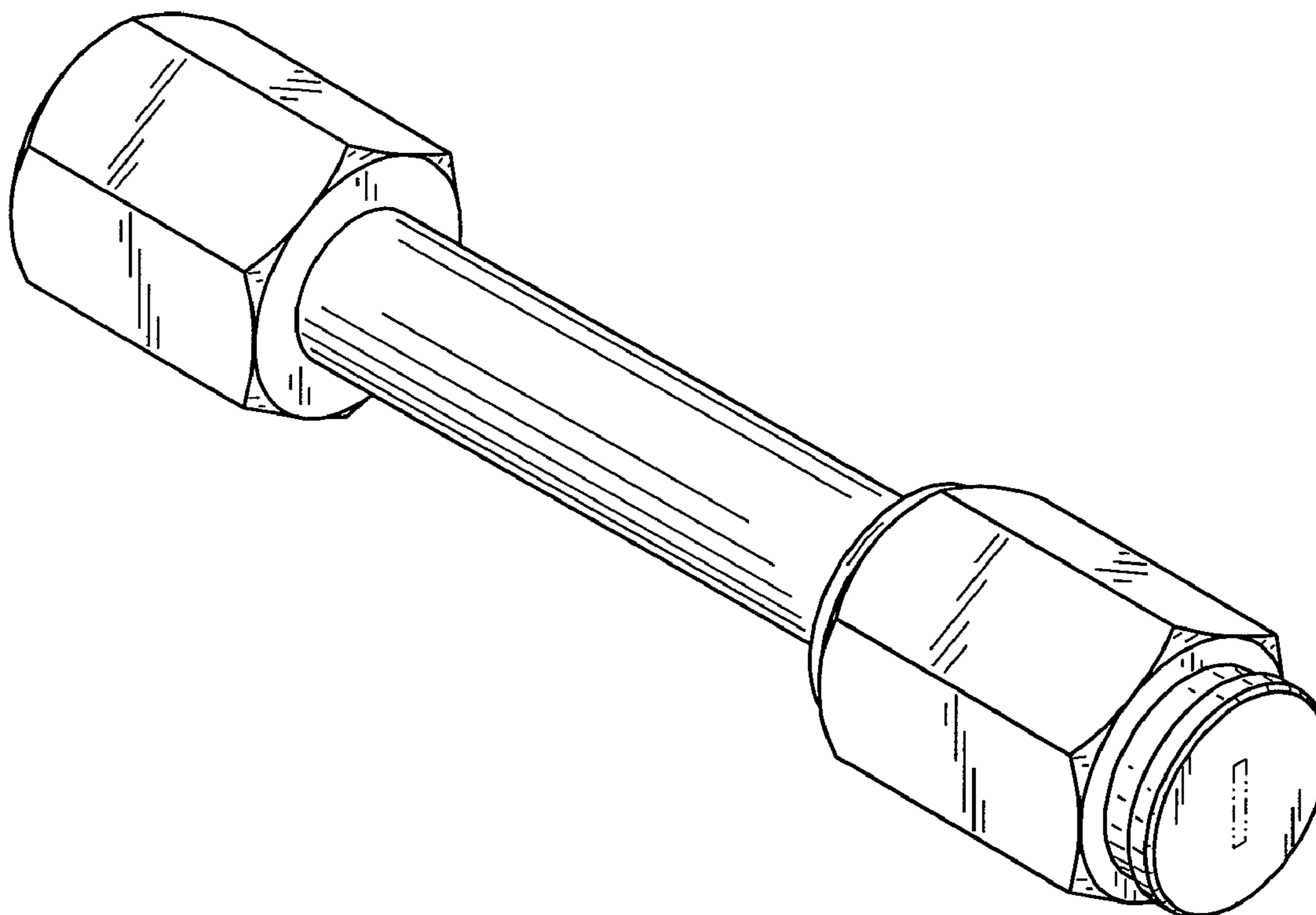
FIG. 5 is a rear view thereof.

| | | | | | | |
|-----------|---|---|---------|----------|-------|---------|
| 4,711,106 | A | * | 12/1987 | Johnson | | 70/34 |
| 4,869,633 | A | * | 9/1989 | Hayashi | | 411/368 |
| D422,898 | S | * | 4/2000 | Hussaini | | D8/397 |
| D444,050 | S | * | 6/2001 | Wyers | | D8/341 |
| D446,111 | S | * | 8/2001 | Hussaini | | D8/397 |
| D447,043 | S | * | 8/2001 | Wyers | | D8/339 |
| D461,392 | S | * | 8/2002 | Zapushek | | D8/331 |
| D484,773 | S | * | 1/2004 | Wyers | | D8/330 |

FIG. 6 is a top plan view of the lock showing my new design and showing the lock in the “unlocked” position, the bottom plan view being a mirror image; and,

FIG. 7 is a left side elevational view thereof, the right side elevational view being a mirror image.

1 Claim, 4 Drawing Sheets



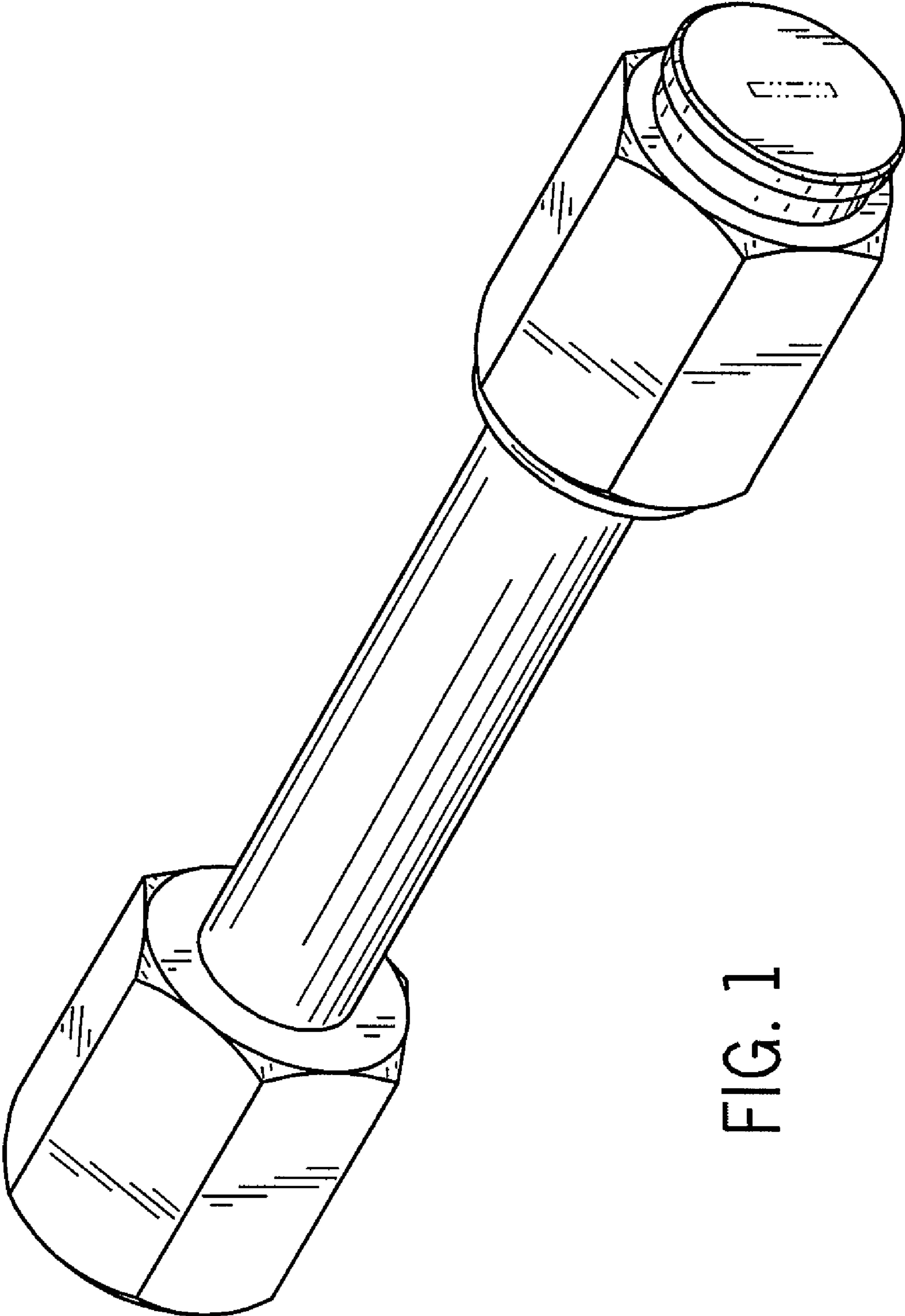


FIG. 1

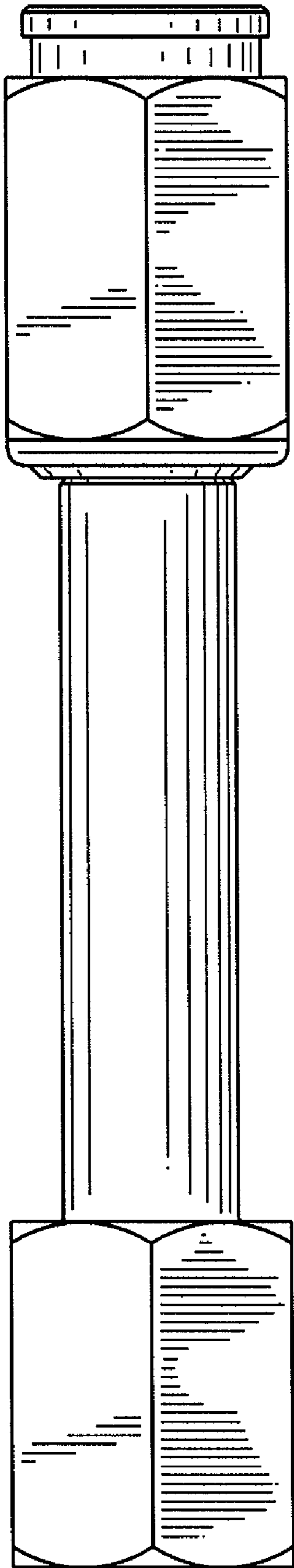


FIG. 2

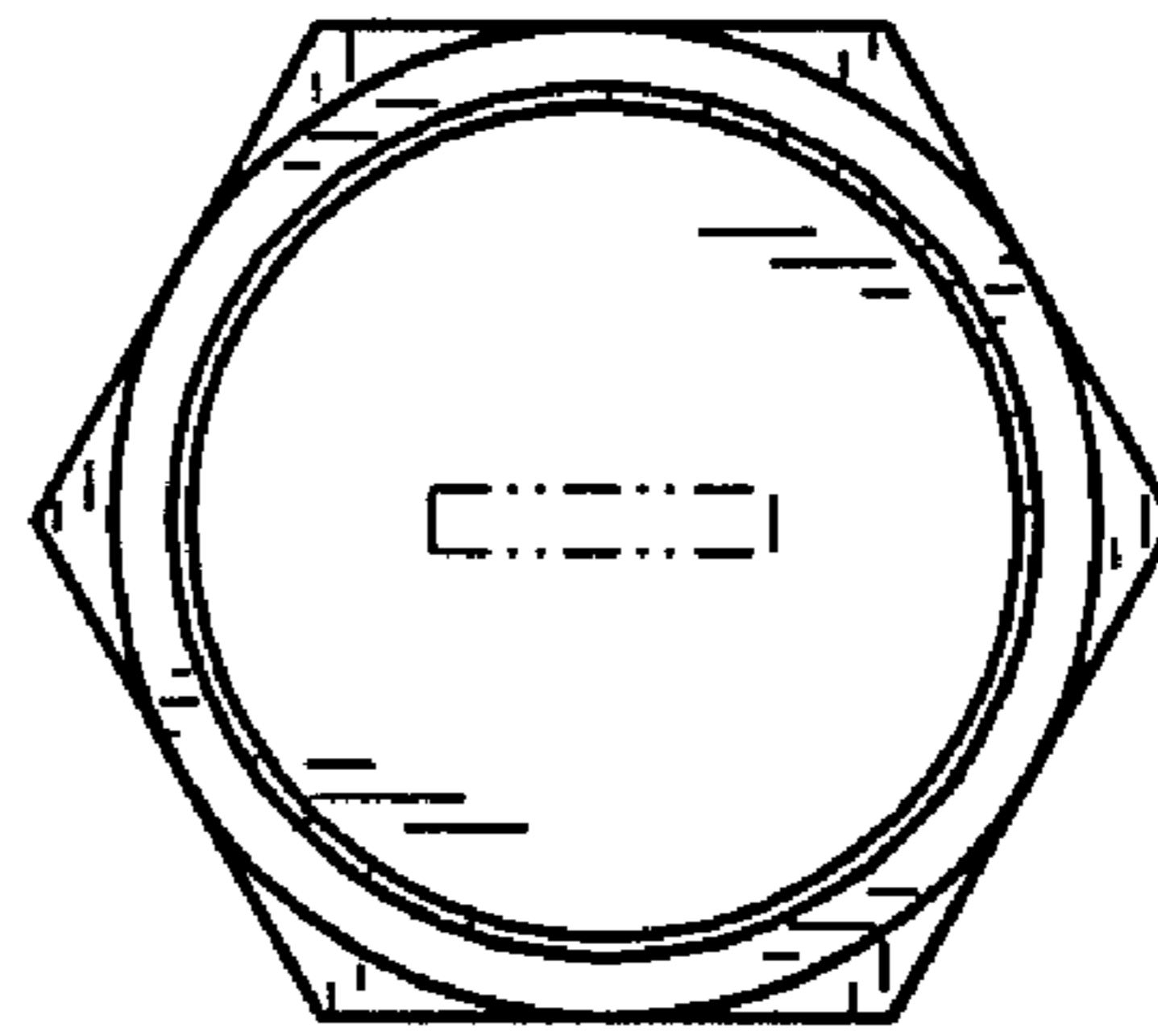


FIG. 3

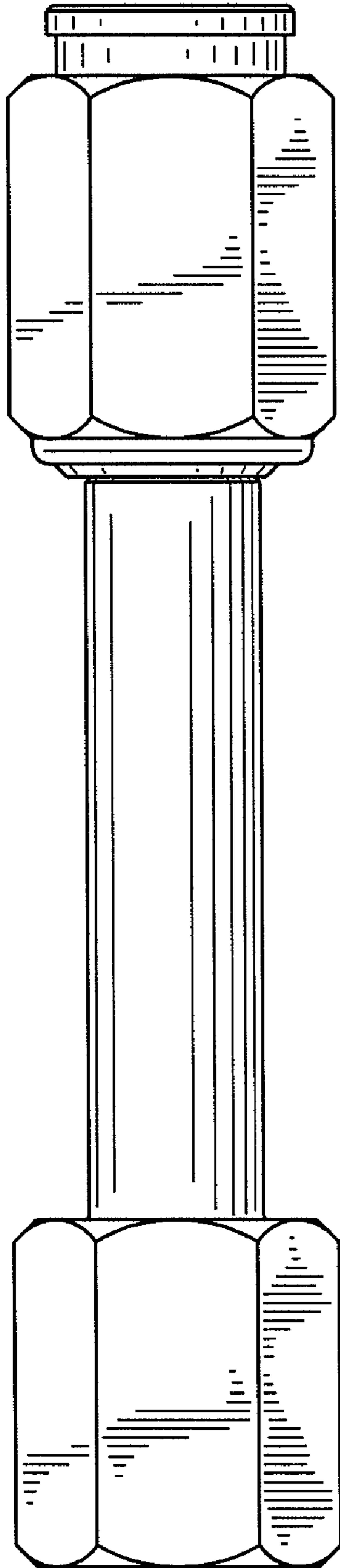


FIG. 4

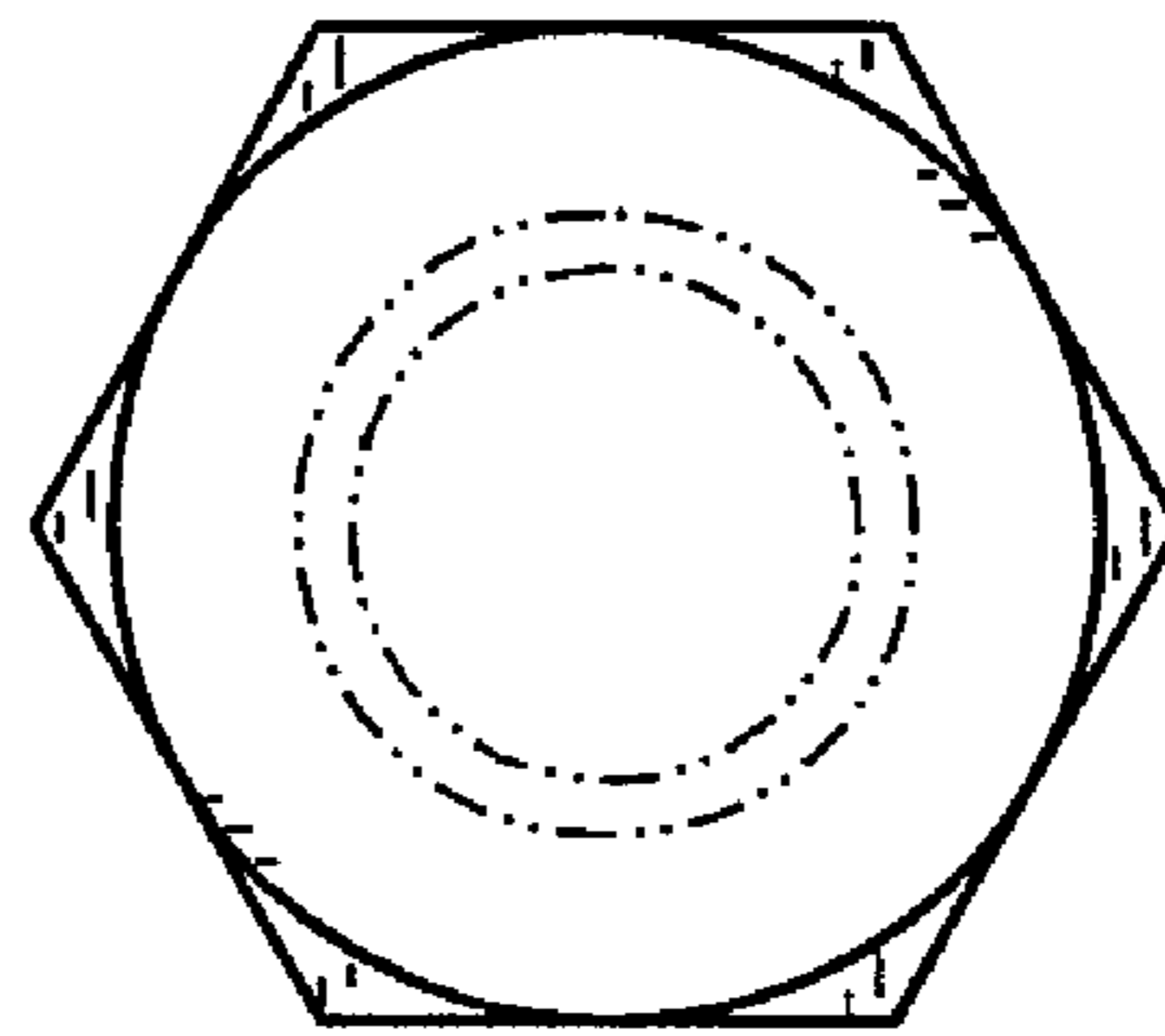


FIG. 5

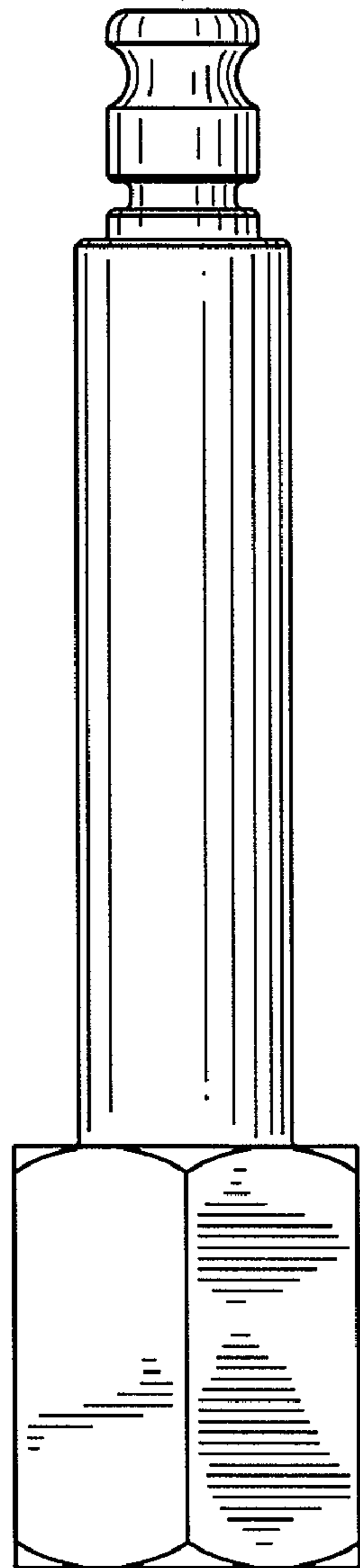
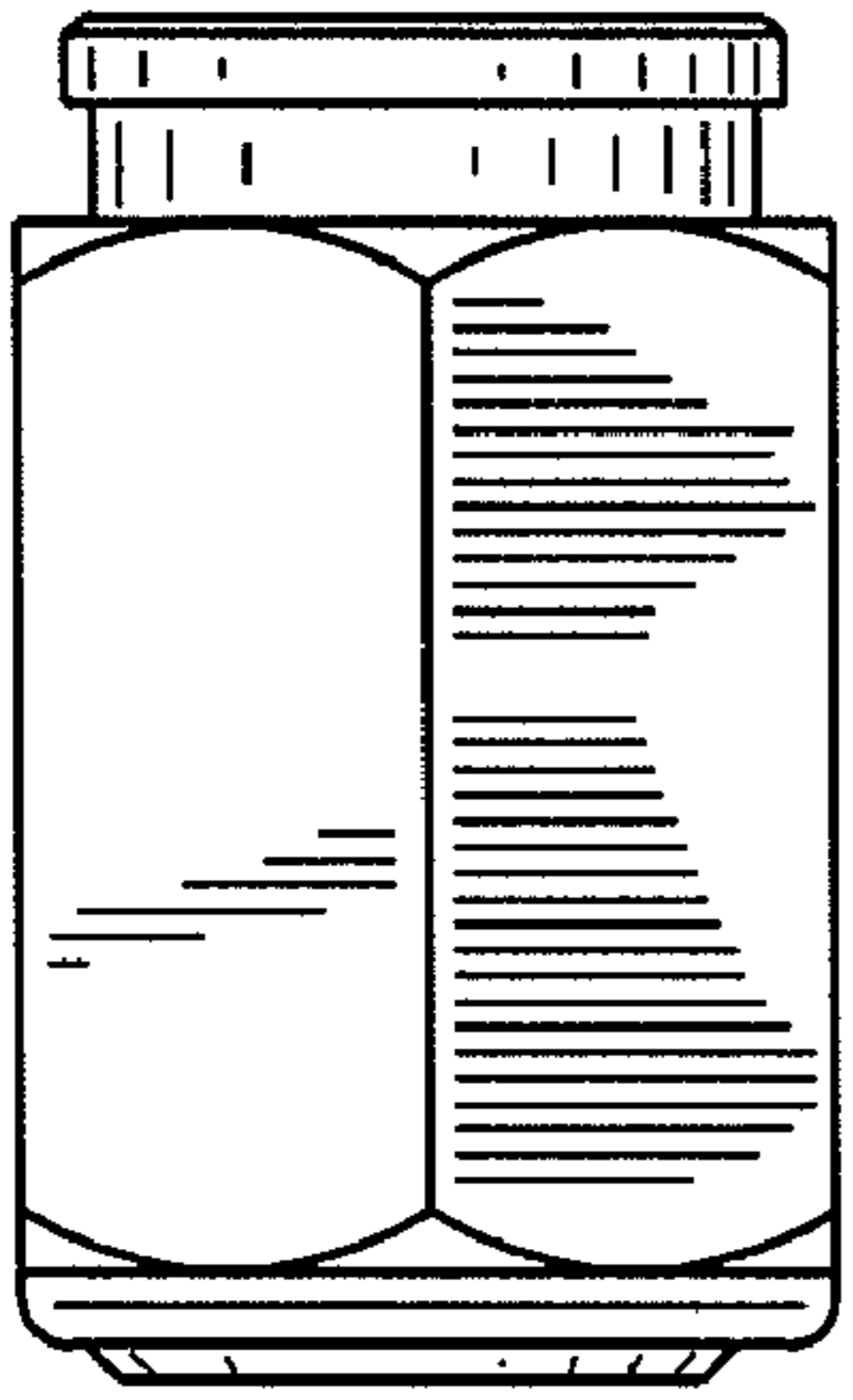


FIG. 6

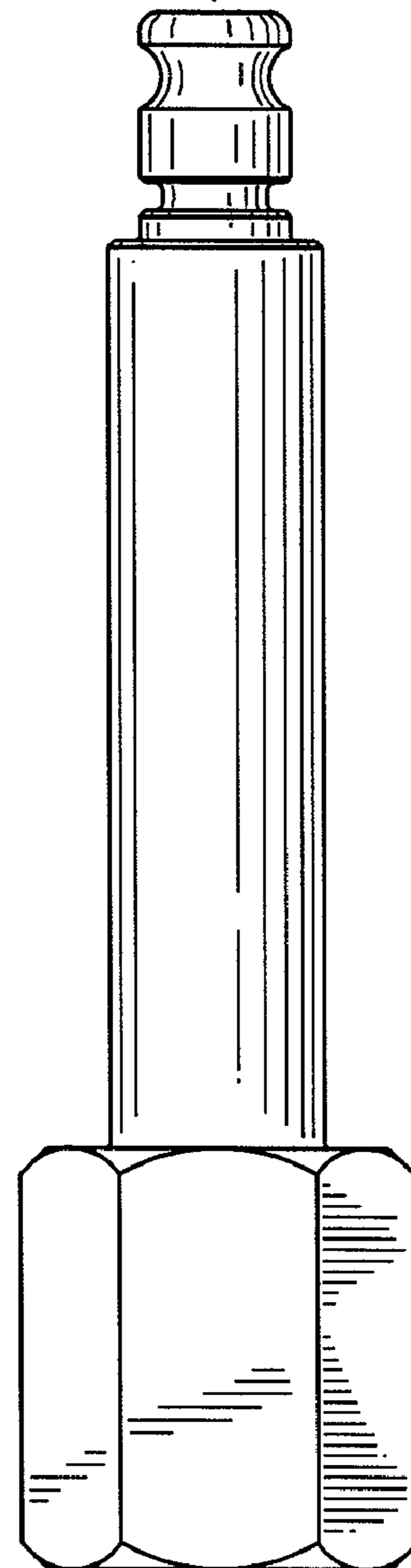
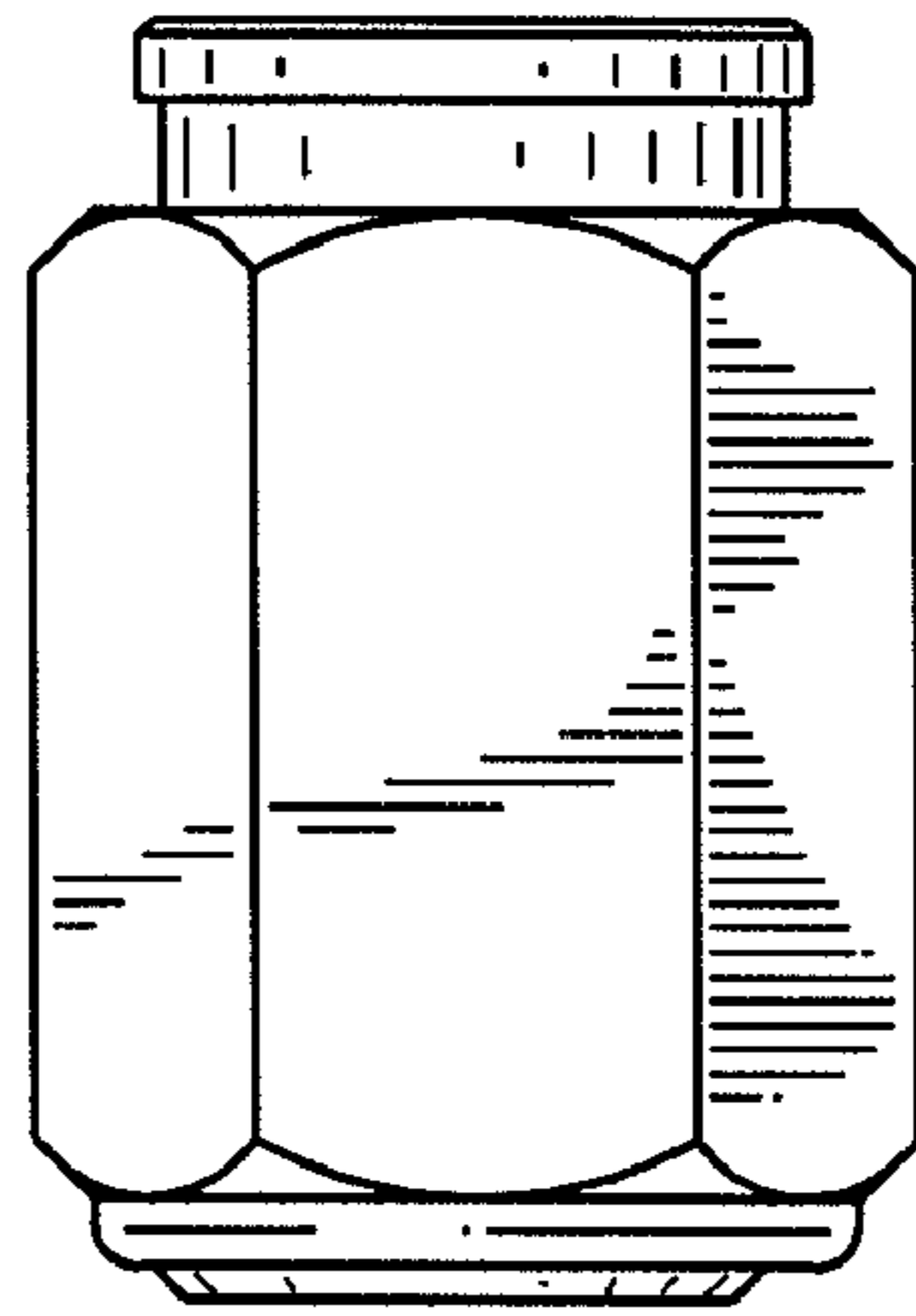


FIG. 7