



US00D548563S

(12) **United States Design Patent**
Hoernig

(10) **Patent No.:** **US D548,563 S**

(45) **Date of Patent:** **** Aug. 14, 2007**

(54) **HANDLE**

(75) Inventor: **Victor Hoernig**, Lowell, IN (US)

(73) Assignee: **Masco Corporation of Indiana**,
Indianapolis, IN (US)

(**) Term: **14 Years**

(21) Appl. No.: **29/259,378**

(22) Filed: **May 8, 2006**

(51) **LOC (8) Cl.** **08-06**

(52) **U.S. Cl.** **D8/308**

(58) **Field of Classification Search** D8/300,
D8/301, 302, 307, 308, 310, 311; D23/242,
D23/243, 250, 252, 254; 4/675-678; 16/110.1,
16/412, 429, 432; 137/801
See application file for complete search history.

(56) **References Cited**

U.S. PATENT DOCUMENTS

1,833,669	A *	11/1931	Birdsall	292/347
D315,087	S *	3/1991	Jans	D8/308
D375,785	S *	11/1996	Spano et al.	D23/252
D379,847	S *	6/1997	Kohler, Jr.	D23/252

D414,247	S *	9/1999	Kolada et al.	D23/252
D462,421	S *	9/2002	Hundley	D23/252
D516,677	S *	3/2006	Haug et al.	D23/242
D531,702	S *	11/2006	Haug et al.	D23/252

* cited by examiner

Primary Examiner—Paula A. Greene

(74) *Attorney, Agent, or Firm*—Kwadjo Adusei-Poku; Lloyd D. Doigan

(57) **CLAIM**

The ornamental design for a handle, as shown and described.

DESCRIPTION

FIG. 1 is a front perspective view of a handle showing my new design;

FIG. 2 is a right side elevational view thereof;

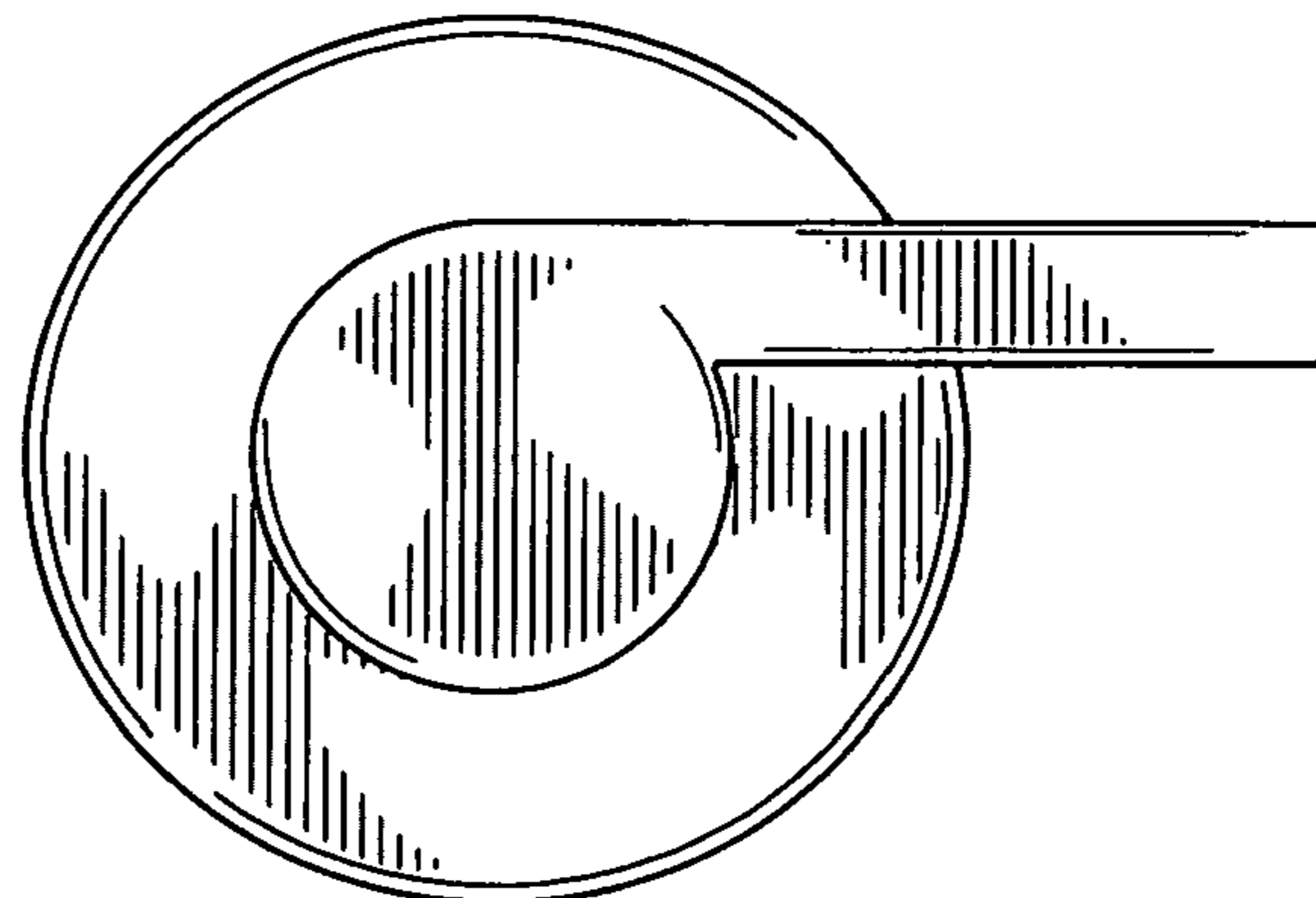
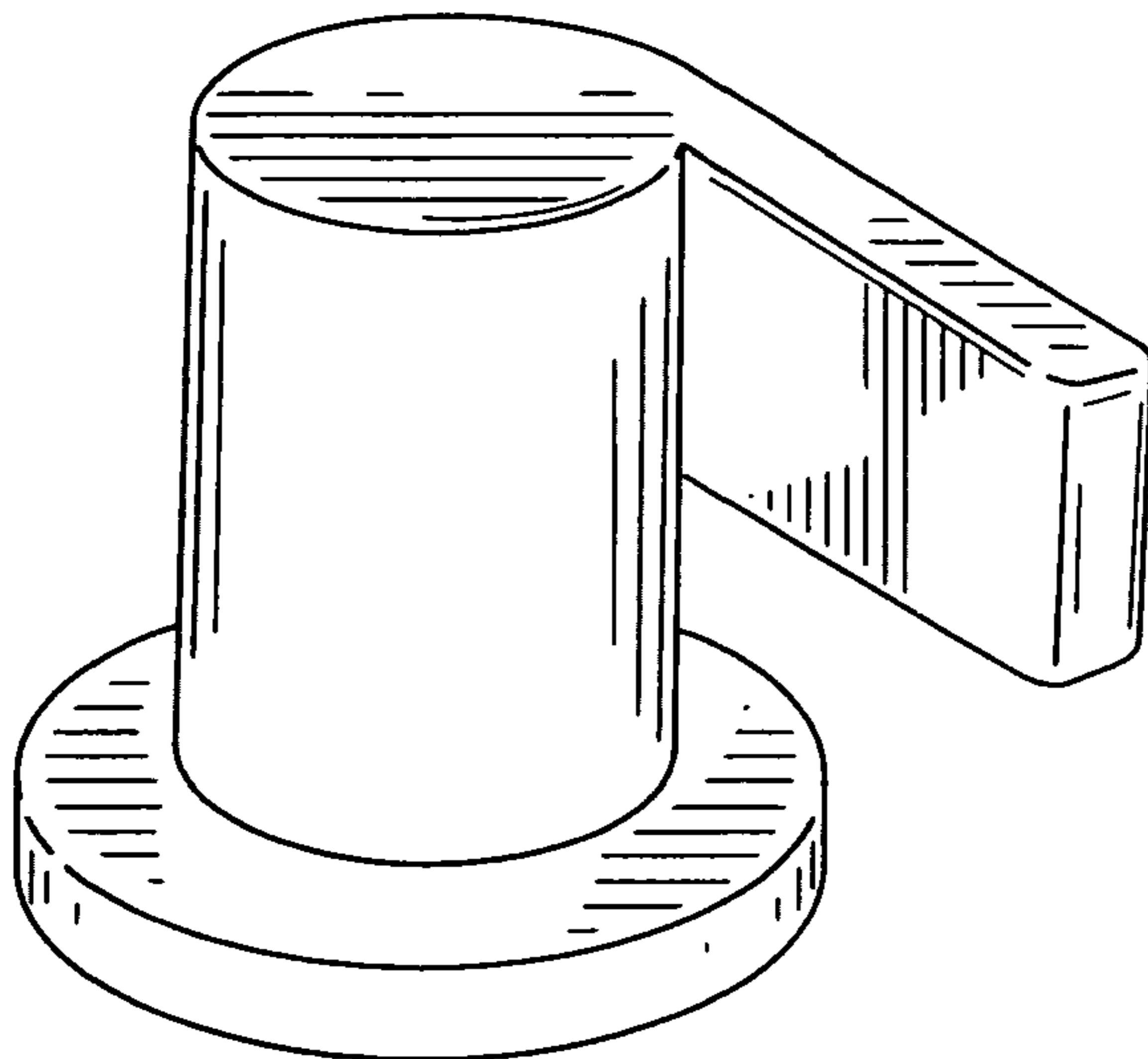
FIG. 3 is a left side elevational view thereof;

FIG. 4 is a front elevational view thereof;

FIG. 5 is a rear elevational view thereof; and,

FIG. 6 is a front end elevational view, the undisclosed opposite end is not part of the claimed design.

1 Claim, 6 Drawing Sheets



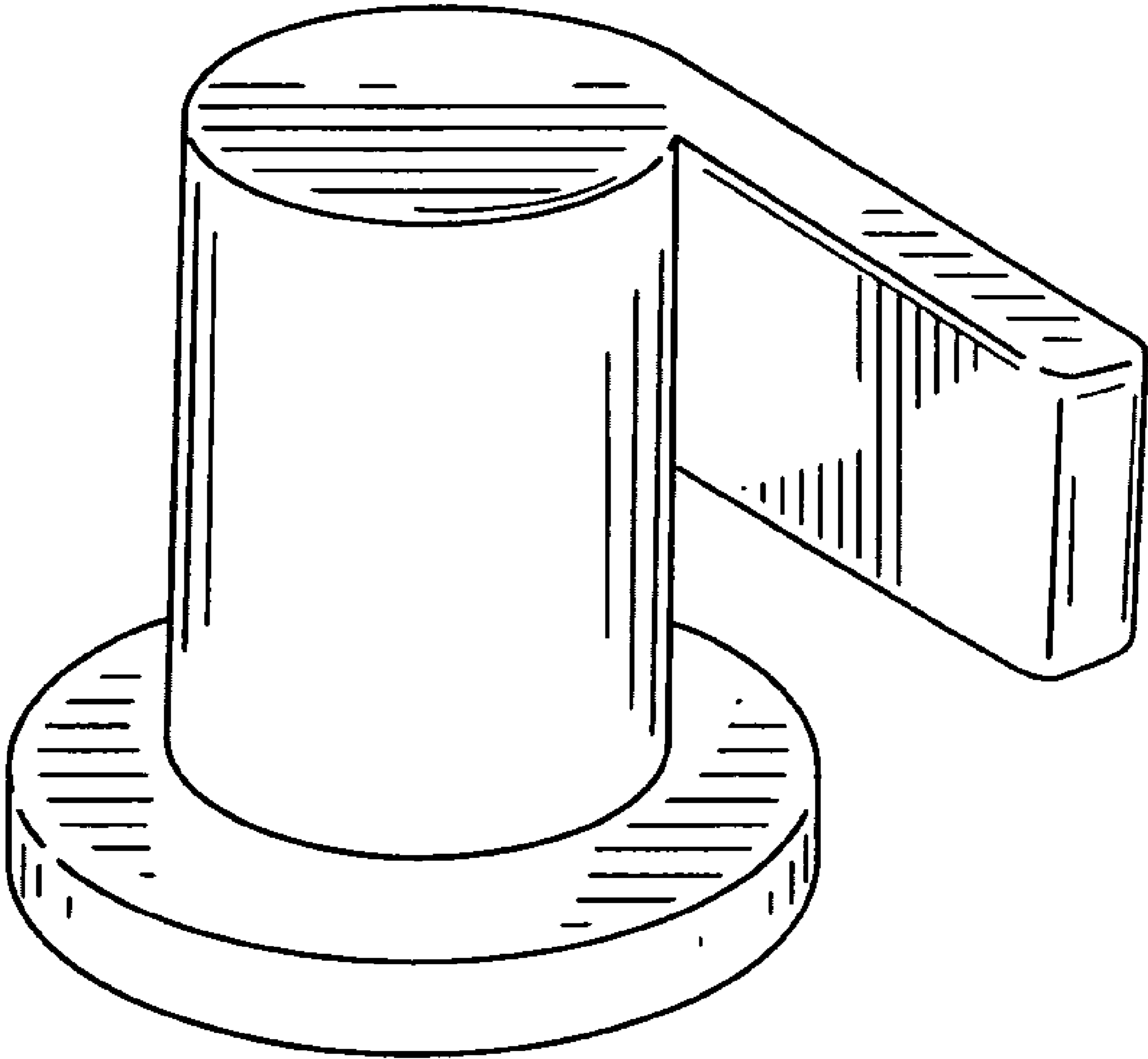


FIG. 1

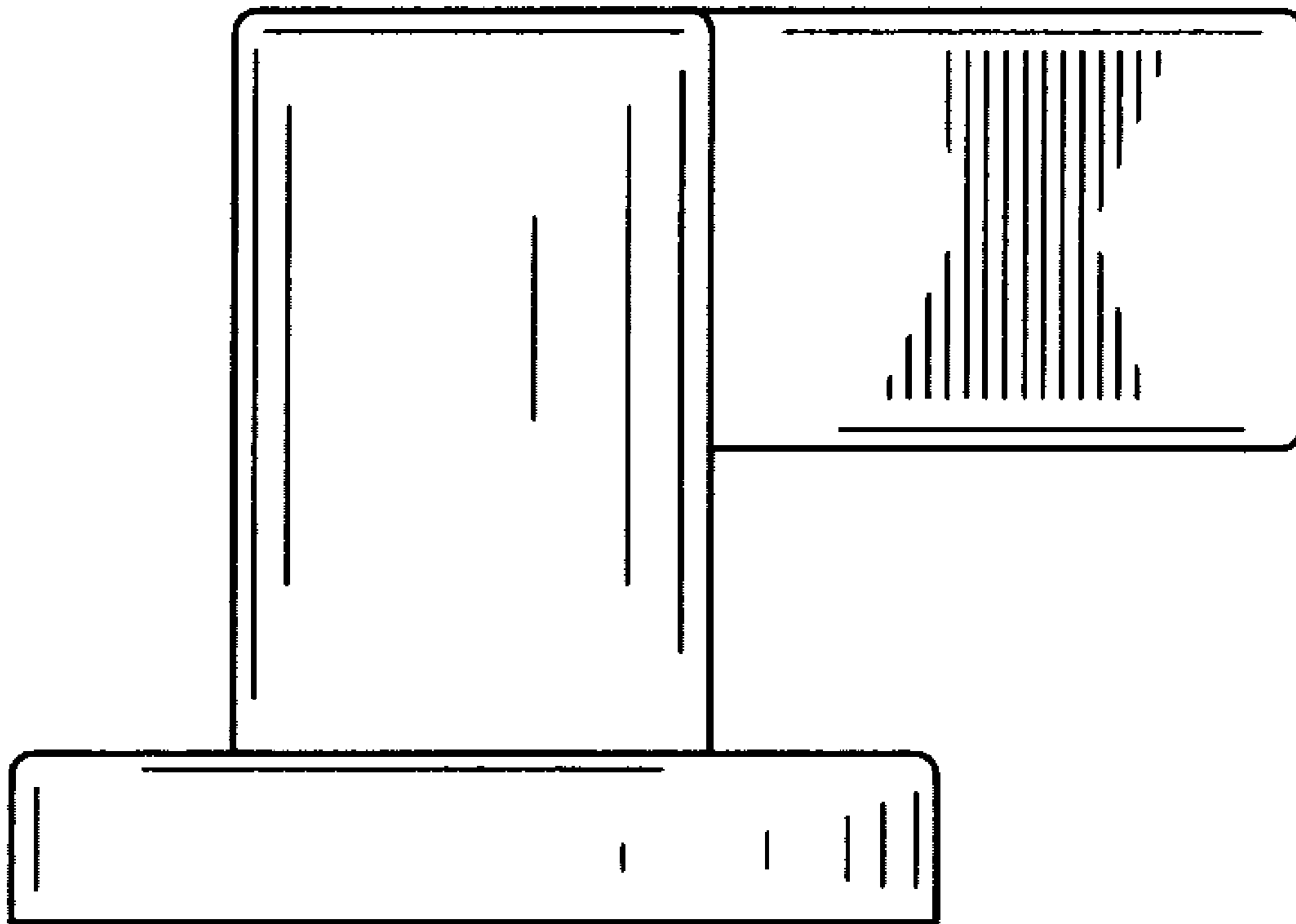


FIG. 2

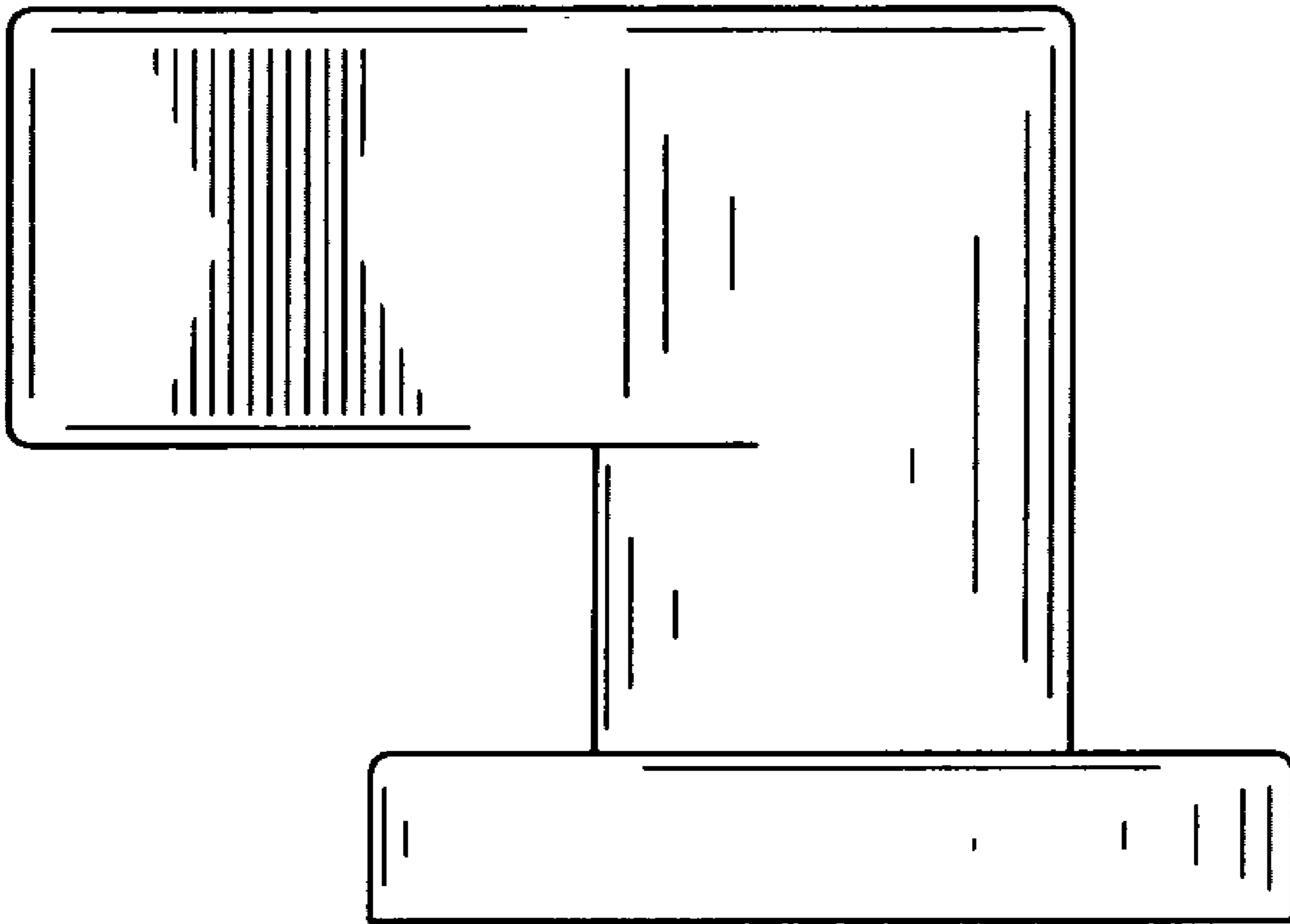


FIG. 3

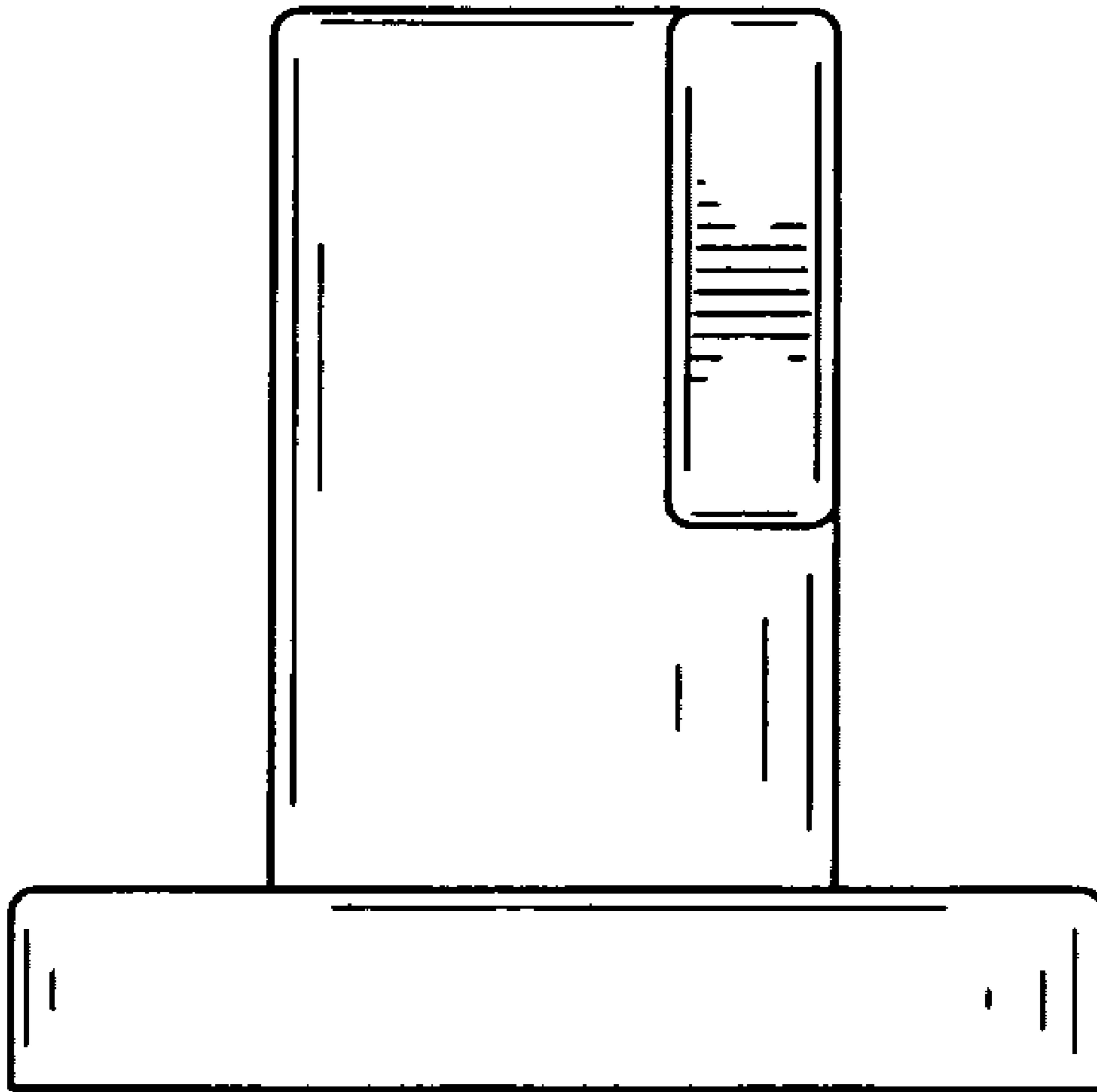


FIG. 4

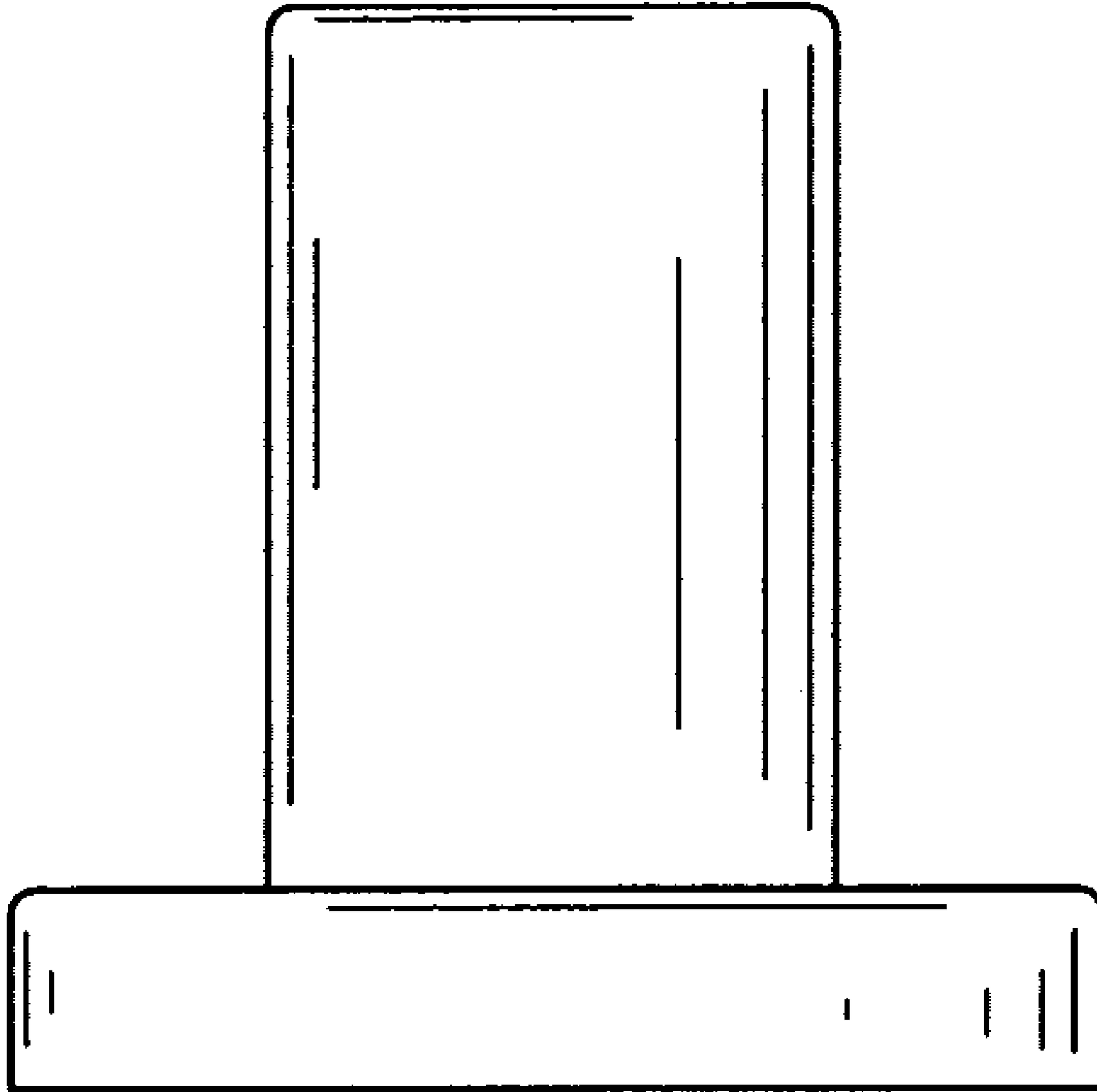


FIG. 5

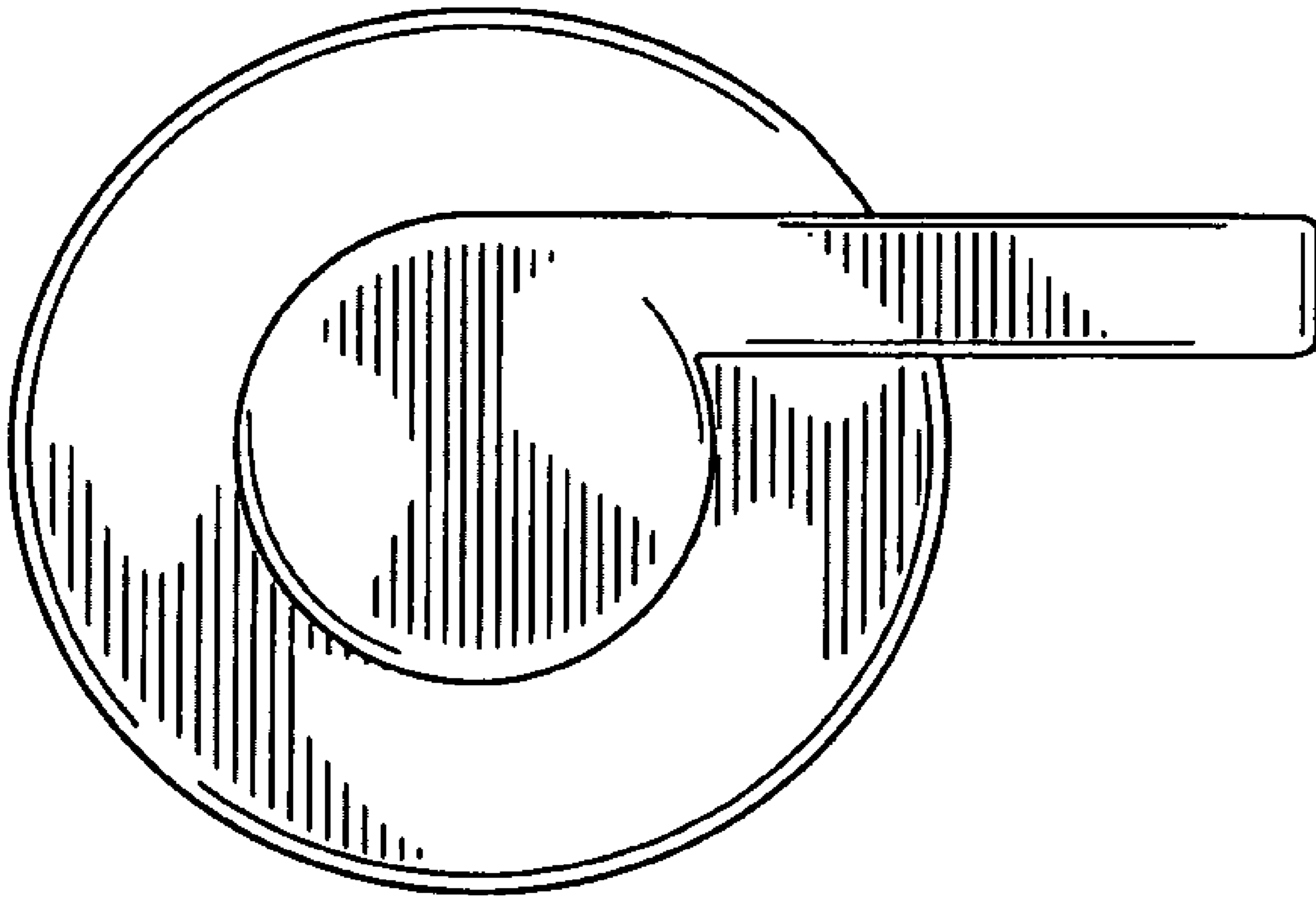


FIG. 6