

US00D548560S

(12) **United States Design Patent**
Weinerman et al.

(10) **Patent No.:** **US D548,560 S**

(45) **Date of Patent:** **** Aug. 14, 2007**

(54) **FRONT PORTIONS OF A COMBINATION
HANDLE AND HOUSING ASSEMBLY**

(75) Inventors: **Lee S. Weinerman**, Medina, OH (US);
Michael J. Hollingsworth, Brookpark,
OH (US)

(73) Assignee: **The Eastern Company**, Cleveland, OH
(US)

(**) Term: **14 Years**

(21) Appl. No.: **29/251,227**

(22) Filed: **Jan. 5, 2006**

Related U.S. Application Data

(63) Continuation-in-part of application No. 29/226,005,
filed on Mar. 23, 2005.

(51) **LOC (8) Cl.** **08-06**

(52) **U.S. Cl.** **D8/301; D8/306**

(58) **Field of Classification Search** D8/301-302,
D8/306-307, 336-339, 350-353, 401; 70/141,
70/208, 210; 292/170, 175, 165, 224, 140-143,
292/240-242, 358-359, DIG. 2, DIG. 3,
292/DIG. 30, DIG. 31; 84/95.2

See application file for complete search history.

(56) **References Cited**

U.S. PATENT DOCUMENTS

| | | | |
|-------------|--------|----------------------|---------|
| D119,418 S | 3/1940 | Anderson et al. | D8/306 |
| 2,402,348 A | 6/1946 | Schroeder | 292/164 |
| 2,729,089 A | 1/1956 | Pelcin | 70/151 |
| 2,735,706 A | 2/1956 | Pelcin | 292/34 |
| 2,991,904 A | 7/1961 | Carideo | 220/44 |
| 3,333,878 A | 8/1967 | Pelcin | 292/37 |
| 3,457,744 A | 7/1969 | Bisbing | 70/82 |
| 3,953,061 A | 4/1976 | Hansen et al. | 292/5 |
| 4,370,874 A | 2/1983 | Munn | 70/204 |

| | | | |
|-------------|---------|-----------------------|--------|
| 4,641,865 A | 2/1987 | Pastva | 292/5 |
| 4,706,478 A | 11/1987 | Swan et al. | 70/208 |
| 4,714,283 A | 12/1987 | Dignan | 292/48 |
| 4,838,054 A | 6/1989 | Weinerman et al. | 70/208 |
| 4,892,338 A | 1/1990 | Weinerman et al. | 292/35 |
| D316,365 S | 4/1991 | Hansen et al. | D8/331 |

(Continued)

OTHER PUBLICATIONS

Eberhard Catalog #109, pp. 102-104, Eberhard Manufacturing Co,
Cleveland, Ohio 44149 Showing Products 9000-SS, 9001-SS &
Related Items, © 2004.

(Continued)

Primary Examiner—Paula A. Greene

(74) *Attorney, Agent, or Firm*—David A. Burge

(57) **CLAIM**

We claim the ornamental design for front portions of a
combination handle and housing assembly, as shown and
described.

DESCRIPTION

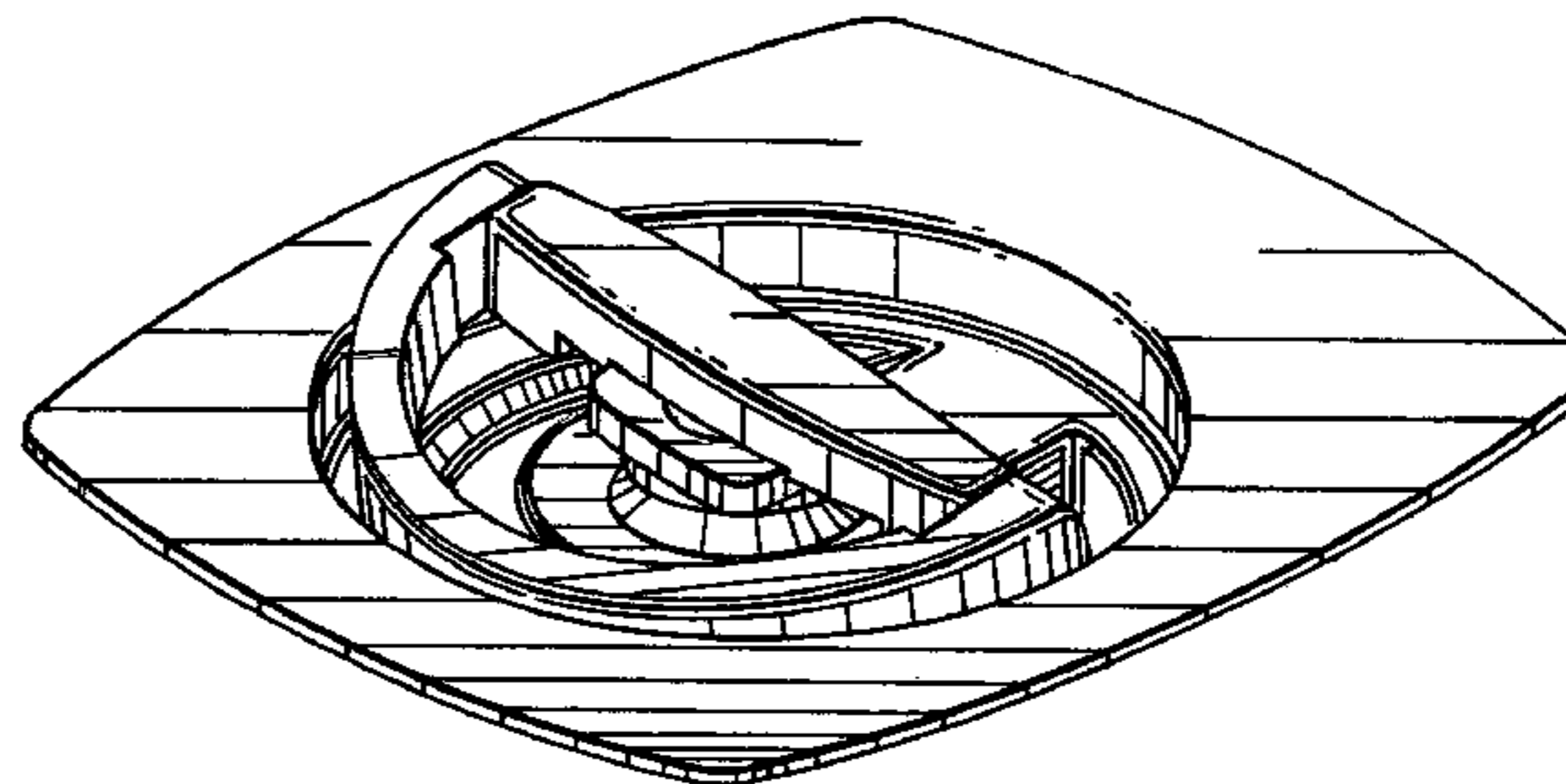
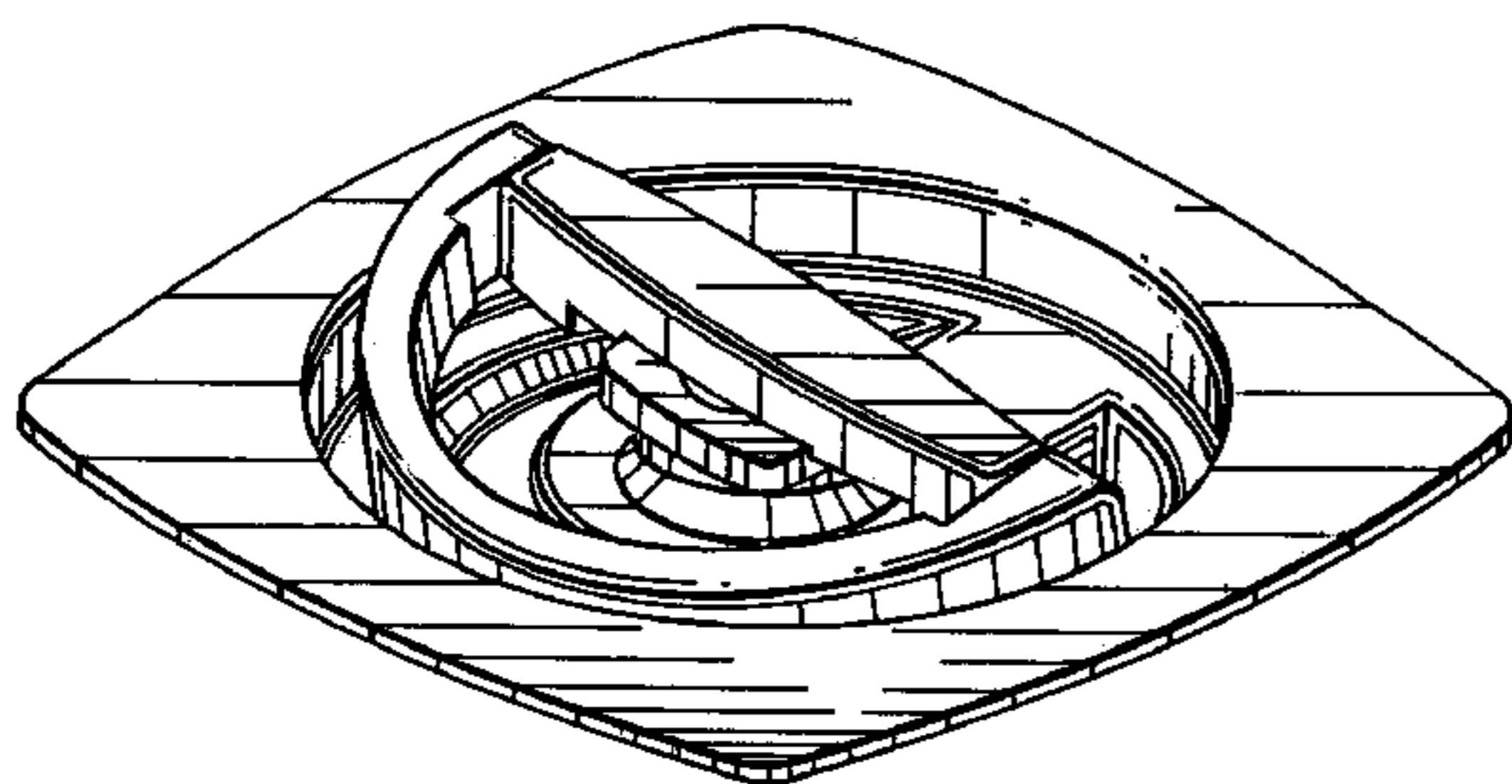
FIG. 1 is a perspective view of front portions of a combi-
nation handle and housing assembly showing our new
design, the undisclosed sides are not part of the claimed
design;

FIG. 2 is a front elevational view thereof, the undisclosed
rear is not part of the claimed design;

FIG. 3 is a perspective view of a second embodiment of front
portions of a combination handle and housing assembly
showing our new design, the undisclosed sides are not part
of the claimed design; and,

FIG. 4 is a front elevational view thereof, the undisclosed
rear is not part of the claimed design.

1 Claim, 2 Drawing Sheets



US D548,560 S

Page 2

U.S. PATENT DOCUMENTS

| | | | | | | | |
|--------------|---------|-------------------|---------|--------------|---------|------------------|-----------|
| 5,015,019 A | 5/1991 | Razdolsky | 292/200 | 6,513,353 B1 | 2/2003 | Weinerman et al. | 70/208 |
| D317,398 S | 6/1991 | Hansen et al. | D8/336 | 6,530,250 B1 | 3/2003 | Linares et al. | 70/208 |
| 5,052,869 A | 10/1991 | Hansen, II | 410/111 | 6,532,778 B2 | 3/2003 | Molzer et al. | 70/208 |
| D323,776 S | 2/1992 | Hansen | D8/338 | 6,623,052 B2 | 9/2003 | Hansen | 292/336.3 |
| D323,970 S | 2/1992 | Schlack | D8/341 | D484,024 S | 12/2003 | Teskey et al. | D8/331 |
| D328,231 S | 7/1992 | Hansen | D8/301 | 6,666,053 B2 | 12/2003 | Sadler | 70/210 |
| 5,526,660 A | 6/1996 | Bennett et al. | 70/208 | D488,994 S | 4/2004 | Hansen | D8/350 |
| 5,585,578 A | 12/1996 | Shimotori | 84/95.2 | D490,292 S | 5/2004 | Hansen | D8/352 |
| 5,595,076 A | 1/1997 | Weinerman et al. | 70/208 | 6,952,940 B2 | 10/2005 | Molzer et al. | 70/210 |
| D389,393 S | 1/1998 | Hansen | D8/310 | D520,328 S | 5/2006 | Hansen | D8/301 |
| 5,938,248 A | 8/1999 | Vickers et al. | 292/36 | D523,726 S * | 6/2006 | Weinerman et al. | D8/307 |
| 5,984,383 A | 11/1999 | Parikh et al. | 292/121 | 7,124,475 B2 | 10/2006 | Jeffries | 16/445 |
| D427,882 S | 7/2000 | Wytcherley et al. | D8/331 | | | | |
| D442,844 S | 5/2001 | Mirick | D8/301 | | | | |
| D456,237 S | 4/2002 | Sokurenko et al. | D8/307 | | | | |
| 6,490,895 B1 | 12/2002 | Weinerman et al. | 70/208 | | | | |
| D469,678 S | 2/2003 | Teskey | D8/301 | | | | |

OTHER PUBLICATIONS

Eberhard Catalog #107, pp. 67-69, Eberhard Manufacturing Co., Cleveland, Ohio 44149 Showing Products 9000-SS, 9001-SS & Related Items © 1996.

* cited by examiner

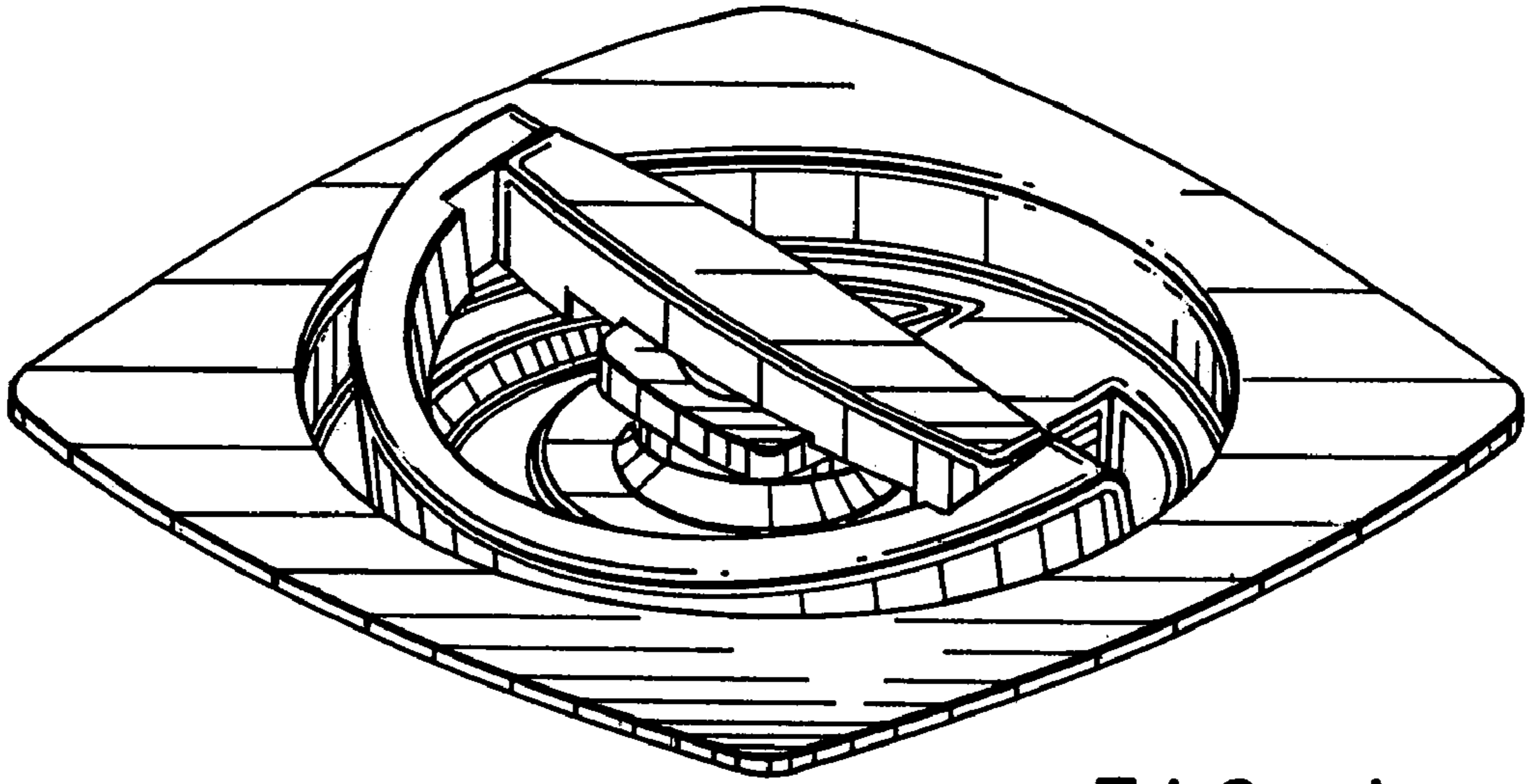


FIG. 1

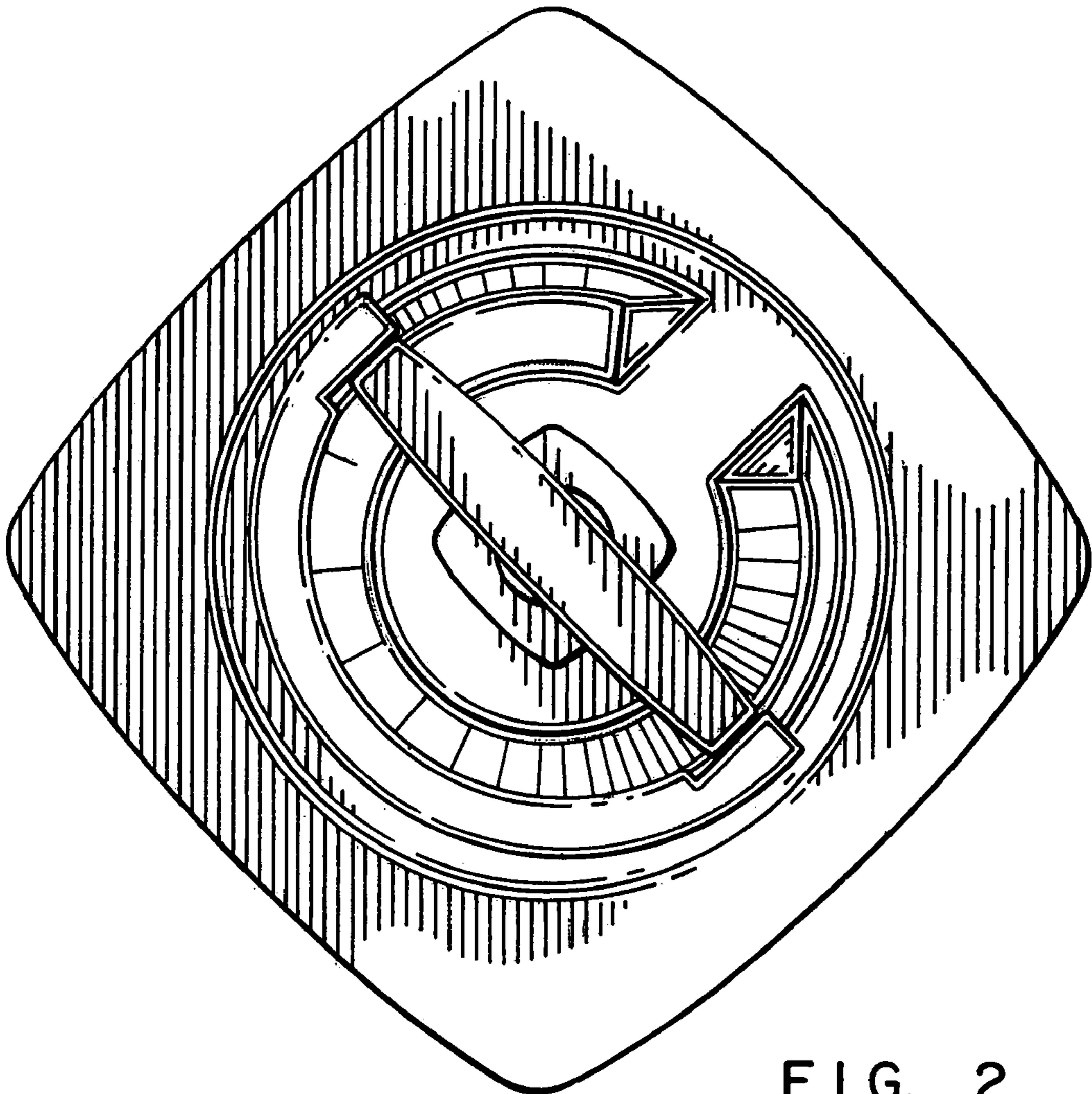


FIG. 2

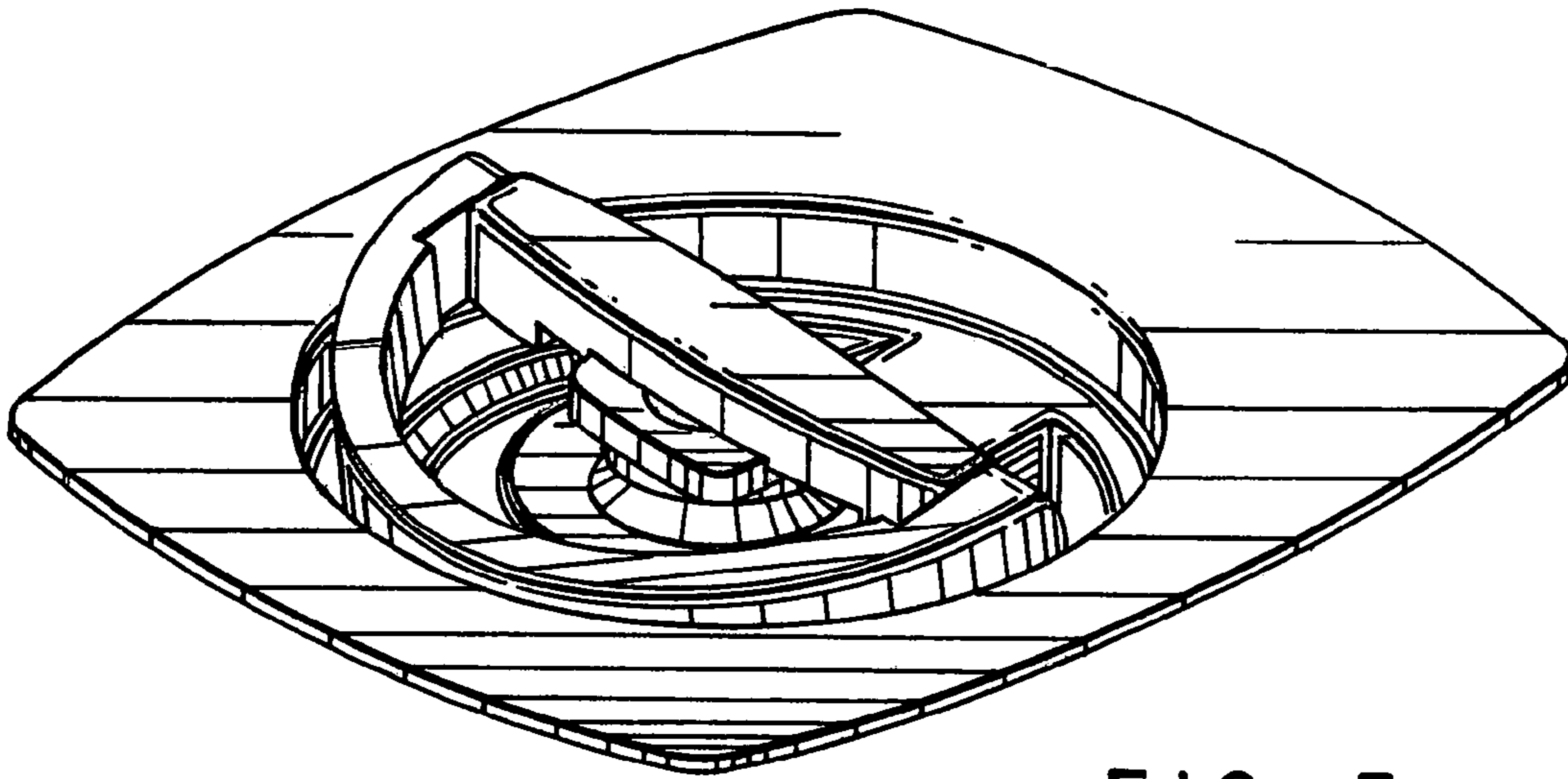


FIG. 3

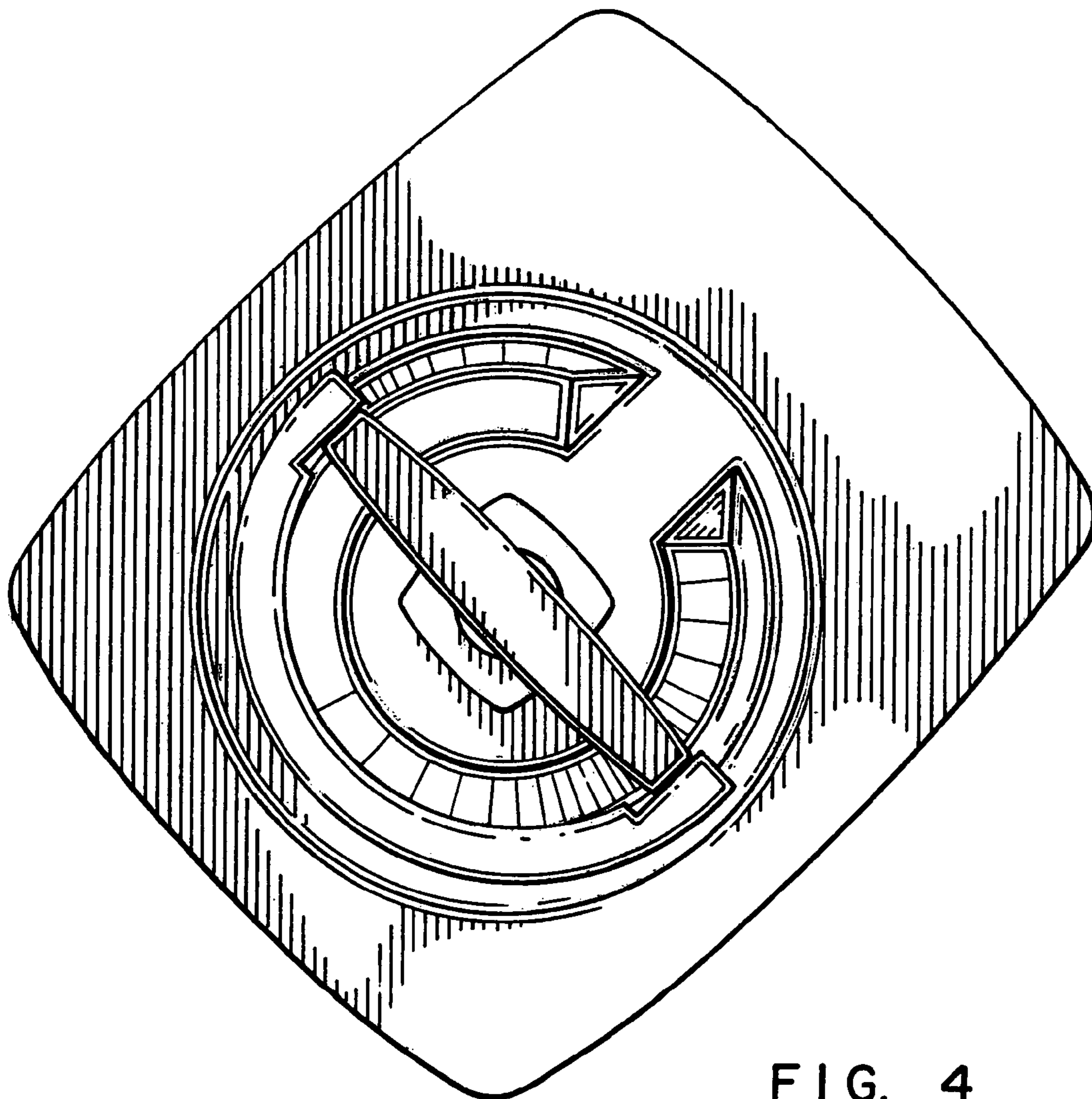


FIG. 4