

US00D548559S

(12) **United States Design Patent** (10) **Patent No.:** **US D548,559 S**
Panasik et al. (45) **Date of Patent:** **** Aug. 14, 2007**

(54) **PORTION OF A TOOL HOUSING**

(75) Inventors: **Cheryl L. Panasik**, Elburn, IL (US);
Kevin M. Tucker, Chicago, IL (US);
Norbert K. Kolodziej, Park Ridge, IL
(US); **Yongping Gong**, Glenview, IL
(US); **James W. Robinson**, Mundelein,
IL (US)

(73) Assignee: **Illinois Tool Works Inc.**, Glenview, IL
(US)

(**) Term: **14 Years**

(21) Appl. No.: **29/212,438**

(22) Filed: **Sep. 1, 2004**

(51) **LOC (8) Cl.** **08-05**

(52) **U.S. Cl.** **D8/69**

(58) **Field of Classification Search** D8/14.1,
D8/61, 62, 63, 64, 65, 66, 67, 68, 69, 70;
81/57.11, 429, 464, 465, 466, 469, 489; 173/13,
173/169, 178, 213, 217; 227/8, 114, 120,
227/130, 136, 142; 310/50; 408/20, 124,
408/125, 234, 241 R; 451/358
See application file for complete search history.

(56) **References Cited**

U.S. PATENT DOCUMENTS

D211,207 S * 5/1968 Bader D8/69
3,568,908 A * 3/1971 Bader 227/136
D307,234 S * 4/1990 Fushiya et al. D8/69
D387,259 S * 12/1997 Braddock et al. D8/69
D387,260 S * 12/1997 Hattori D8/69
D421,884 S * 3/2000 Hattori D8/69
6,164,510 A * 12/2000 Deieso et al. 227/8
6,205,894 B1 * 3/2001 Tanaka 227/8
6,357,534 B1 * 3/2002 Buetow et al. 173/217
D474,386 S * 5/2003 Arai D8/68
6,679,412 B1 * 1/2004 Thomas et al. 227/120

D509,418 S * 9/2005 Leasure D8/68
D518,698 S * 4/2006 Thomas et al. D8/69
D520,321 S * 5/2006 Hattori et al. D8/69
7,143,920 B2 * 12/2006 Panasik et al. 227/120
2003/0034377 A1 * 2/2003 Porth et al. 227/10
2006/0043141 A1 * 3/2006 Panasik et al. 227/130
2006/0261128 A1 * 11/2006 Wen 227/120

OTHER PUBLICATIONS

Paslode-Pneumatic-Roofing Coil Nailer-3175/44RCU, <http://www.paslode.com/products/toolcatalog/3175-44RCU.html>, printed Aug. 31, 2004.

* cited by examiner

Primary Examiner—T. Chase Nelson

(74) *Attorney, Agent, or Firm*—Greer, Burns & Crain, Ltd.;
Lisa M. Soltis; Mark W. Croll

(57) **CLAIM**

The ornamental design for a portion of a tool housing, as shown and described.

DESCRIPTION

FIG. 1 is a top perspective view of the portion of a tool housing of the present invention;

FIG. 2 is a right side view thereof;

FIG. 3 is a top view thereof;

FIG. 4 is a front view thereof;

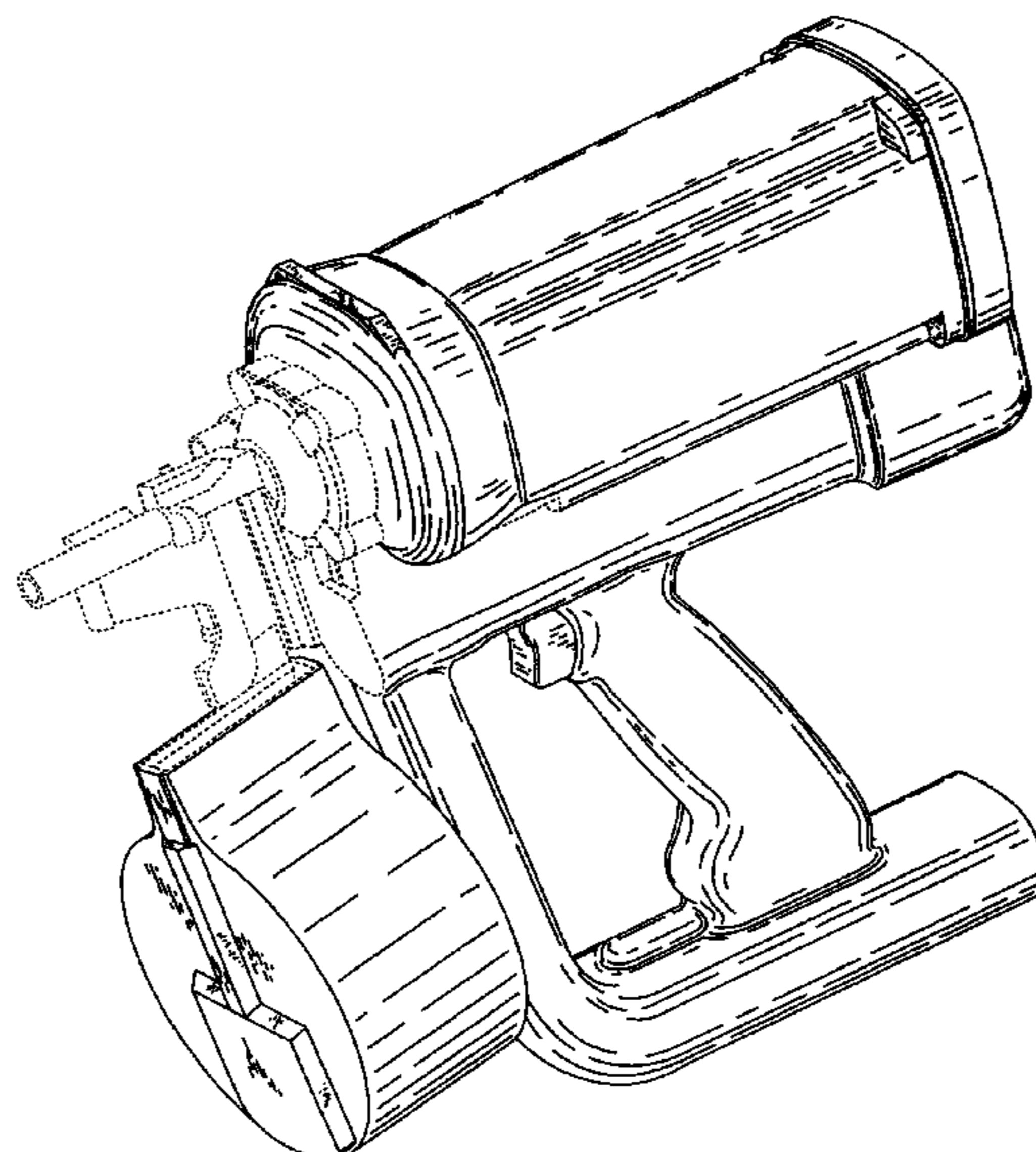
FIG. 5 is a rear view of the present portion of a tool housing; and,

FIG. 6 is a bottom view thereof.

The complete appearance of the claimed design, including the left side view, is depicted in FIGS. 1–6.

The subject matter depicted in broken lines is shown for environment purposes only and does not form part of the claimed design.

1 Claim, 3 Drawing Sheets



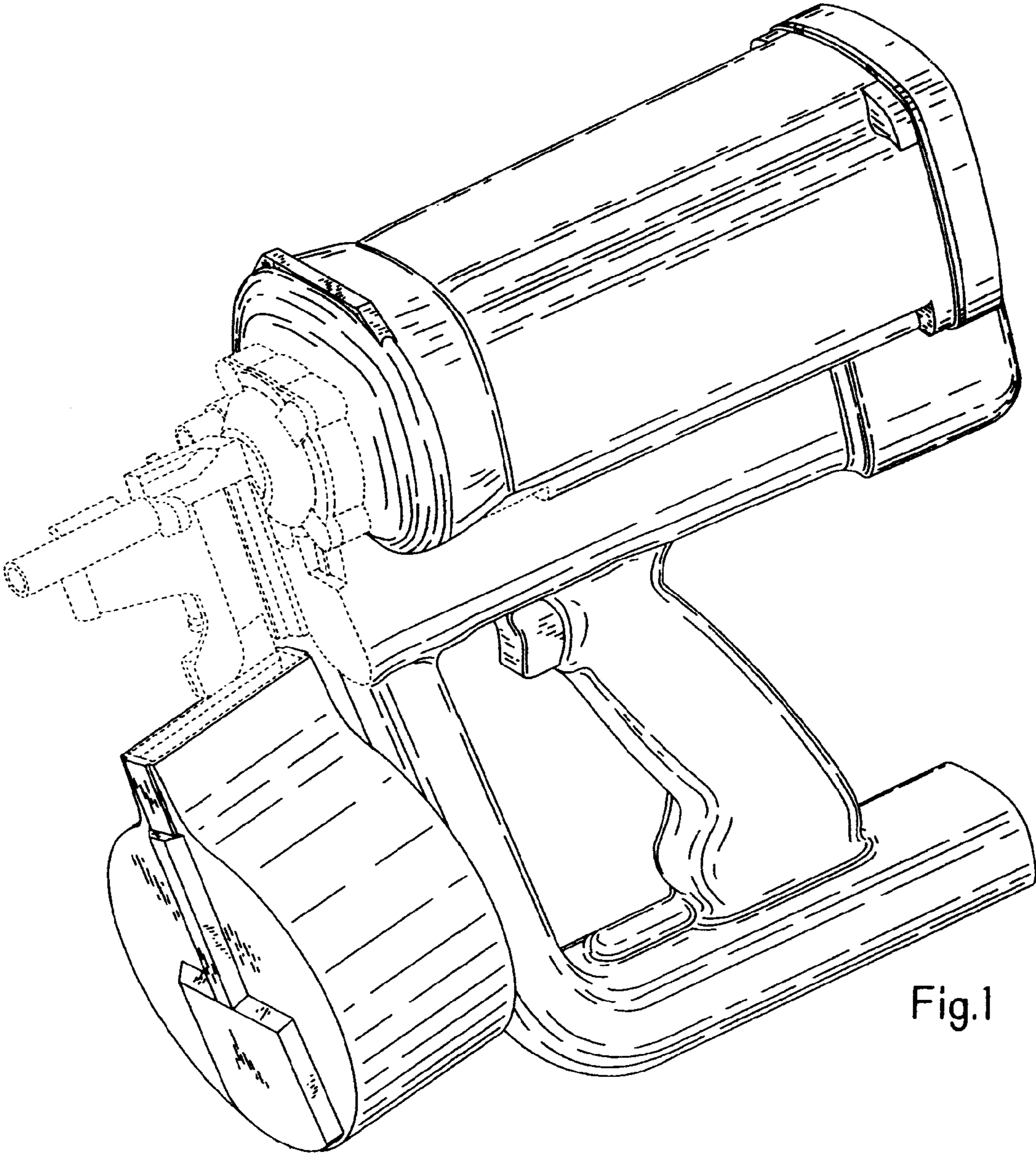
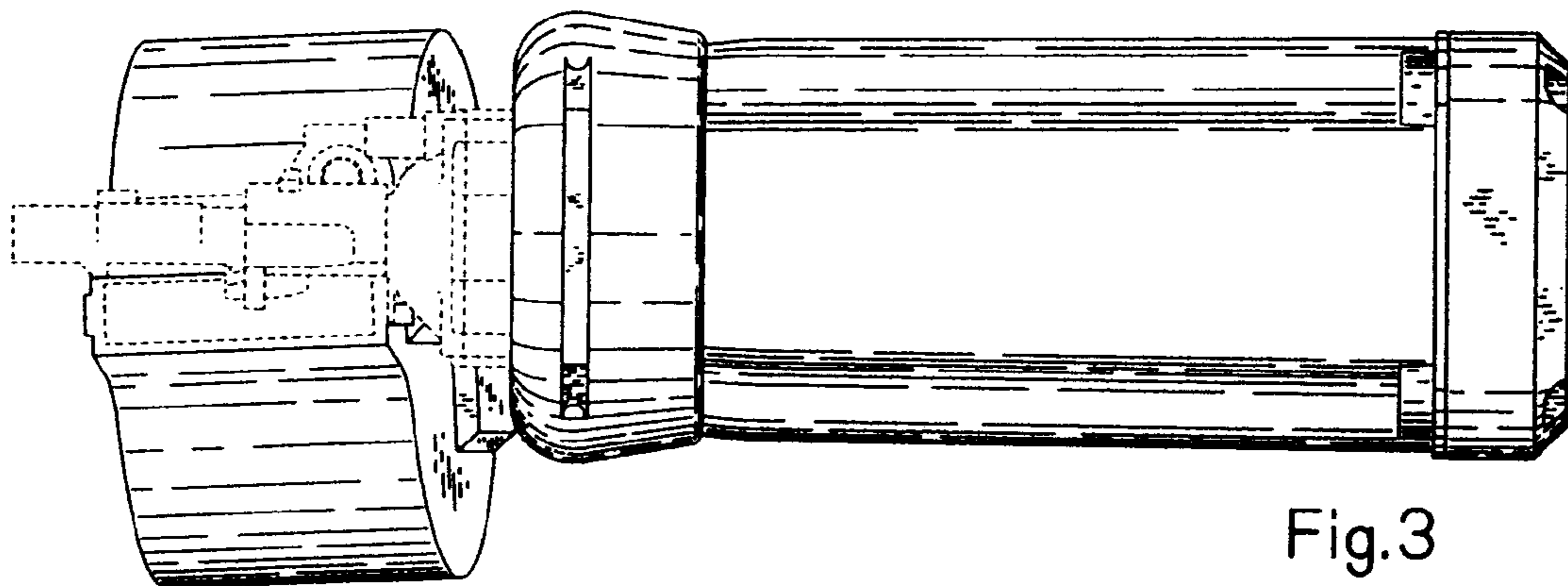
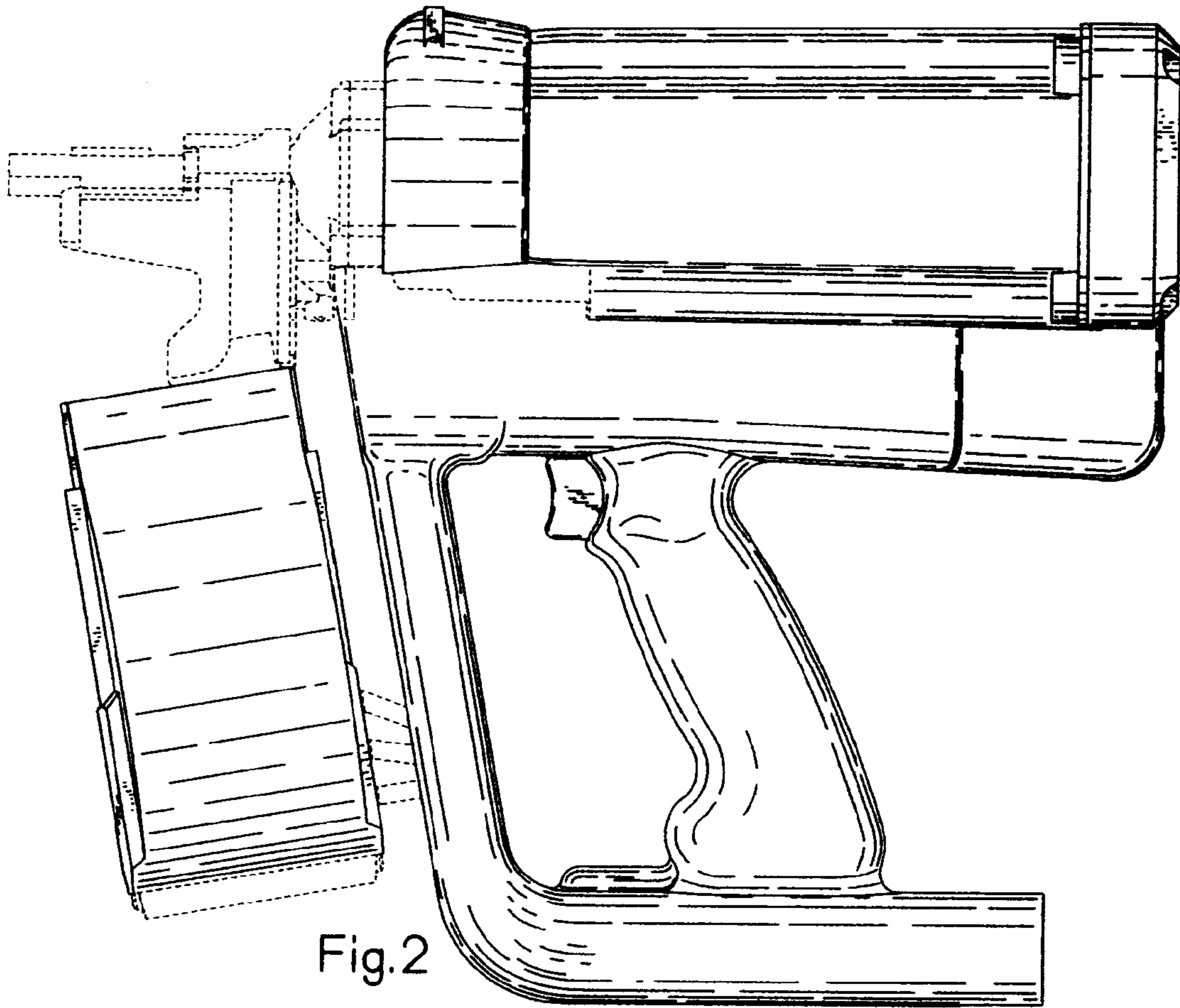


Fig.1



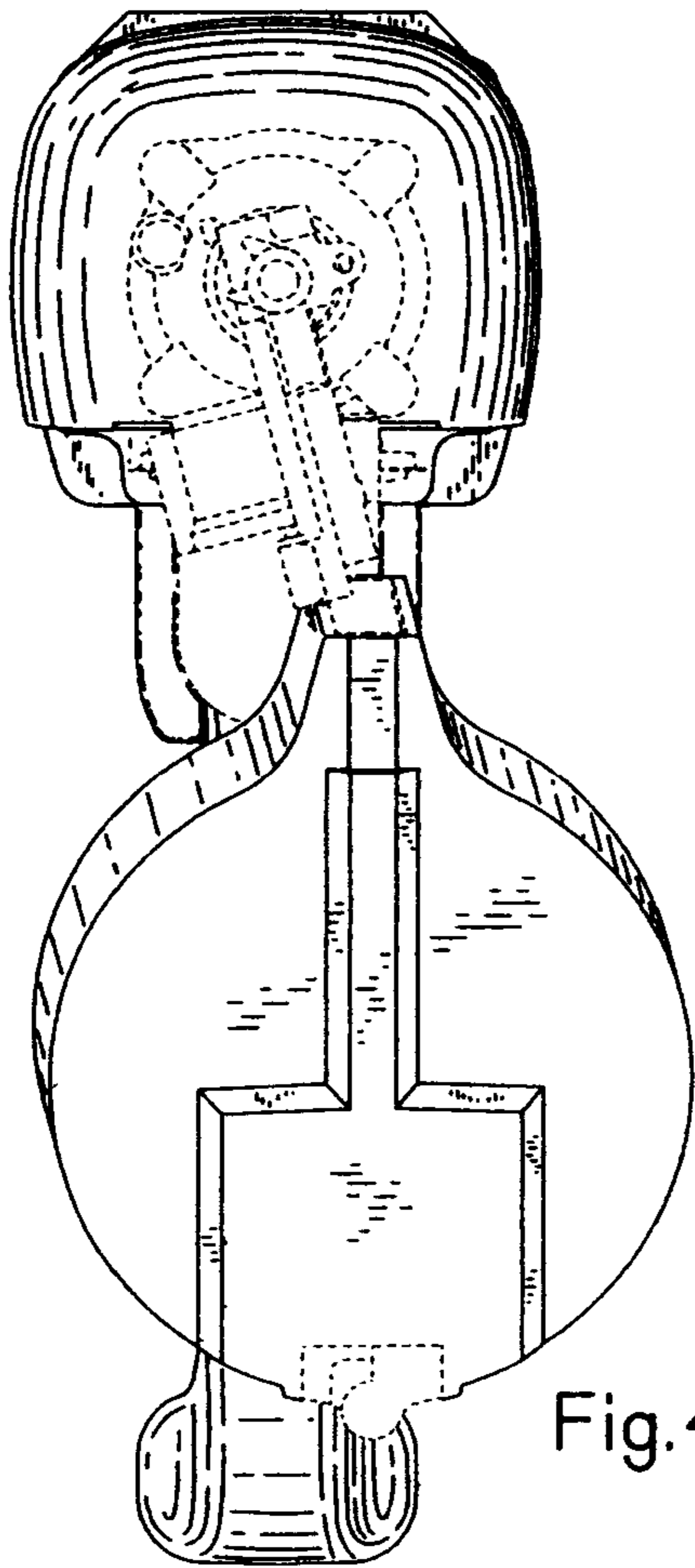


Fig. 4

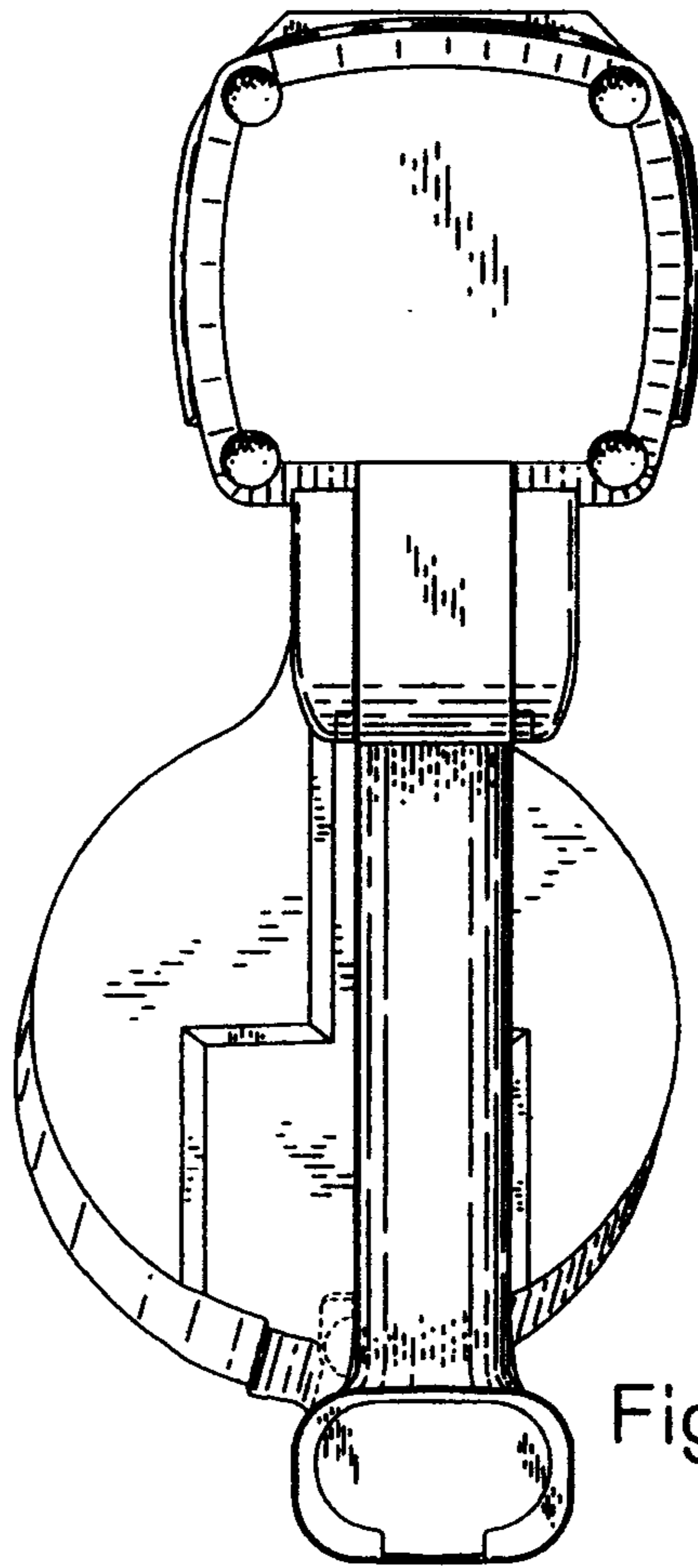


Fig. 5

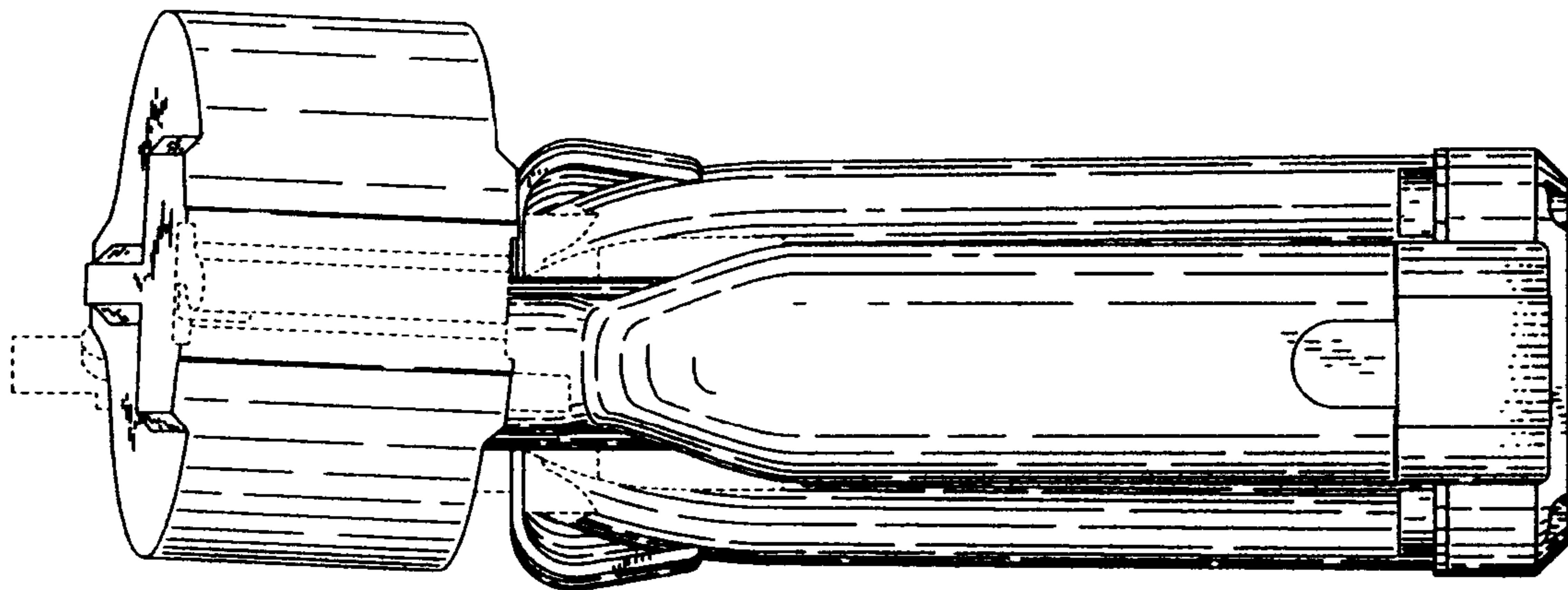


Fig. 6