

US00D548556S

(12) **United States Design Patent**
Stratford

(10) **Patent No.: US D548,556 S**

(45) **Date of Patent: ** Aug. 14, 2007**

(54) **1/4 SHEET SANDER**

(75) Inventor: **Mark Stratford**, Darlington (GB)

(73) Assignee: **Black & Decker Inc.**, Newark, DE
(US)

(**) Term: **14 Years**

(21) Appl. No.: **29/265,641**

(22) Filed: **Sep. 6, 2006**

(30) **Foreign Application Priority Data**

Mar. 22, 2006 (EM) 000499157

(51) **LOC (8) Cl.** **08-01**

(52) **U.S. Cl.** **D8/62**

(58) **Field of Classification Search** D8/67,
D8/62, 61; D32/15, 17, 19; D4/102; 451/456,
451/451, 359, 358, 357, 356, 355, 354, 353,
451/351, 344

See application file for complete search history.

(56) **References Cited**

U.S. PATENT DOCUMENTS

D310,007 S *	8/1990	Saito et al.	D8/62
D317,244 S *	6/1991	Bunyea	D8/62
D323,963 S *	2/1992	Bunyea	D8/62
D329,362 S *	9/1992	Saito et al.	D8/62
D335,618 S *	5/1993	Mogaki	D8/62
D352,437 S *	11/1994	Chunn et al.	D8/62
D376,304 S *	12/1996	Clowers et al.	D8/62
D408,245 S *	4/1999	Evans et al.	D8/62
D448,262 S *	9/2001	Heun	D8/62

D476,543 S *	7/2003	Wu	D8/62
D478,488 S *	8/2003	Bruno et al.	D8/62
D498,399 S *	11/2004	Wu	D8/62
D507,731 S *	7/2005	Robson	D8/62
D509,722 S *	9/2005	Wikle et al.	D8/62
D527,235 S *	8/2006	Aglassinger	D8/62
D530,579 S *	10/2006	Waldron	D8/62

* cited by examiner

Primary Examiner—Cathron C. Brooks

Assistant Examiner—Austin Murphy

(74) *Attorney, Agent, or Firm*—Wesley W. Muller; Bruce Shapiro

(57) **CLAIM**

The ornamental design for 1/4 sheet sander, as shown and described.

DESCRIPTION

FIG. 1 a front perspective view of a 1/4 sheet sander according to the present invention;

FIG. 2 is a view from the left side of the 1/4 sheet sander of FIG. 1;

FIG. 3 is a view from the right side of the 1/4 sheet sander of FIG. 1;

FIG. 4 is a front view of the 1/4 sheet sander of FIG. 1;

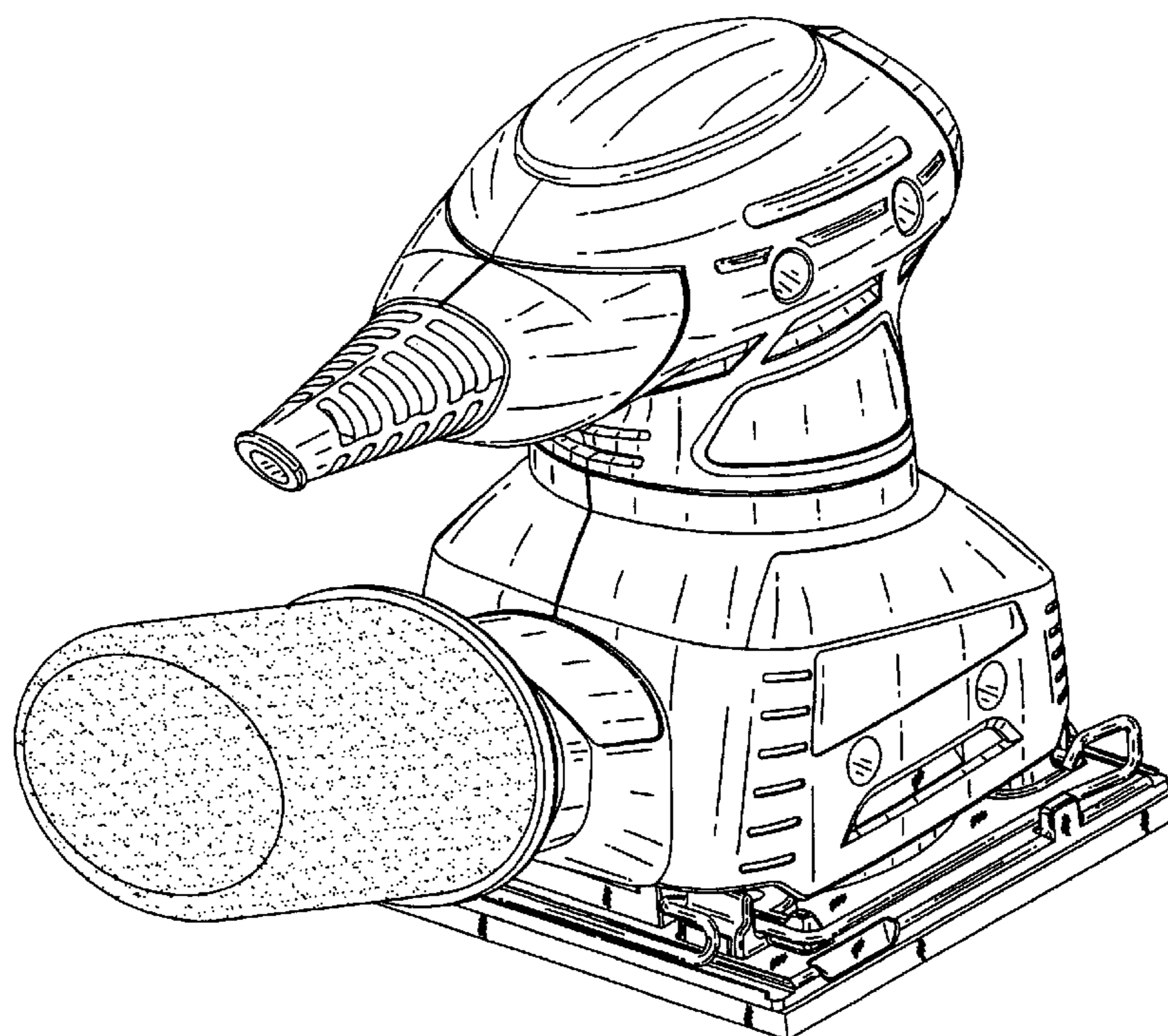
FIG. 5 is a rear view of the 1/4 sheet sander of FIG. 1;

FIG. 6 is plan view of the 1/4 sheet sander of FIG. 1;

FIG. 7 is a bottom view of the 1/4 sheet sander of FIG. 1; and,

FIG. 8 is a rear perspective view of the 1/4 sheet sander.

1 Claim, 7 Drawing Sheets



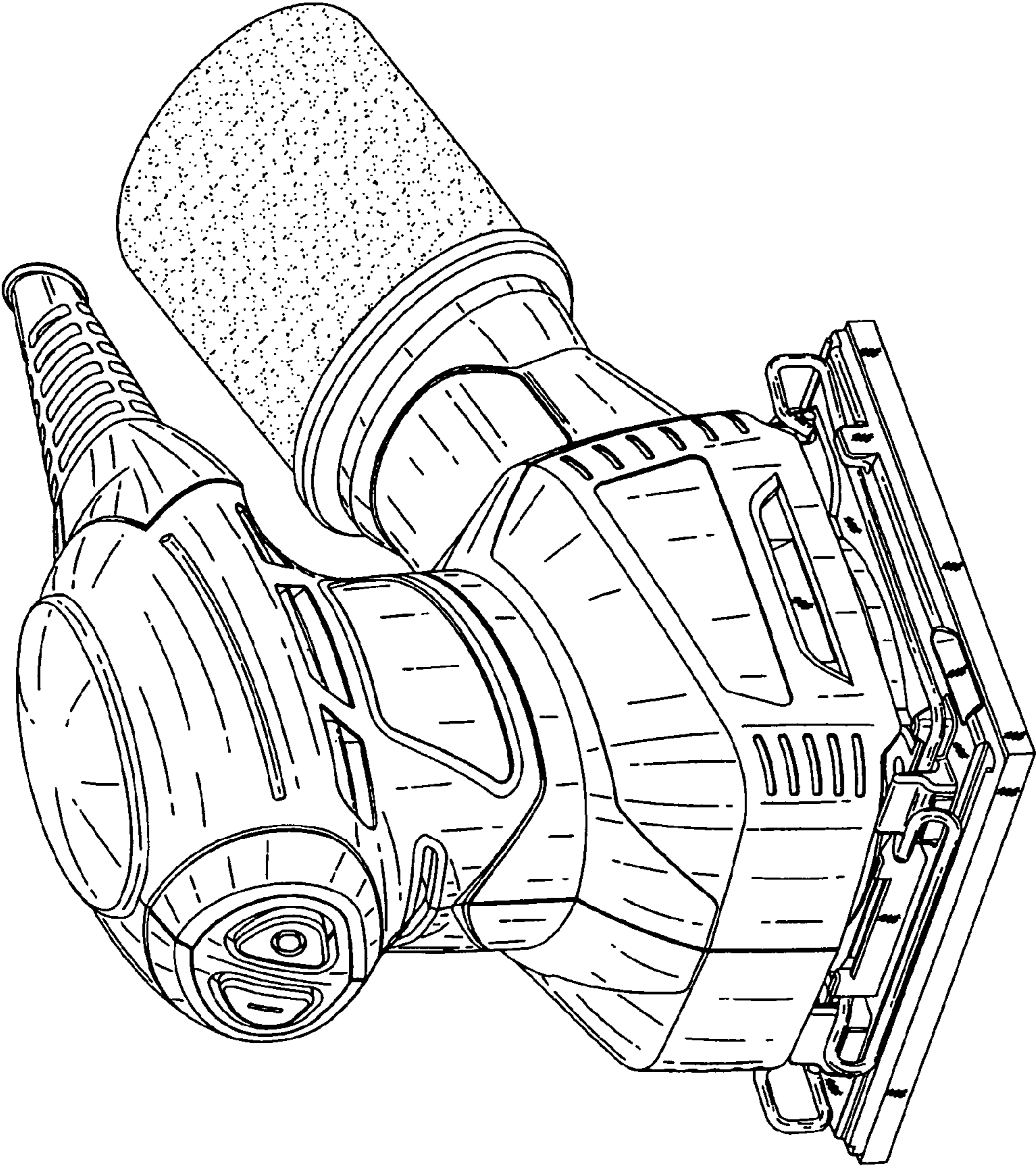


FIG.1

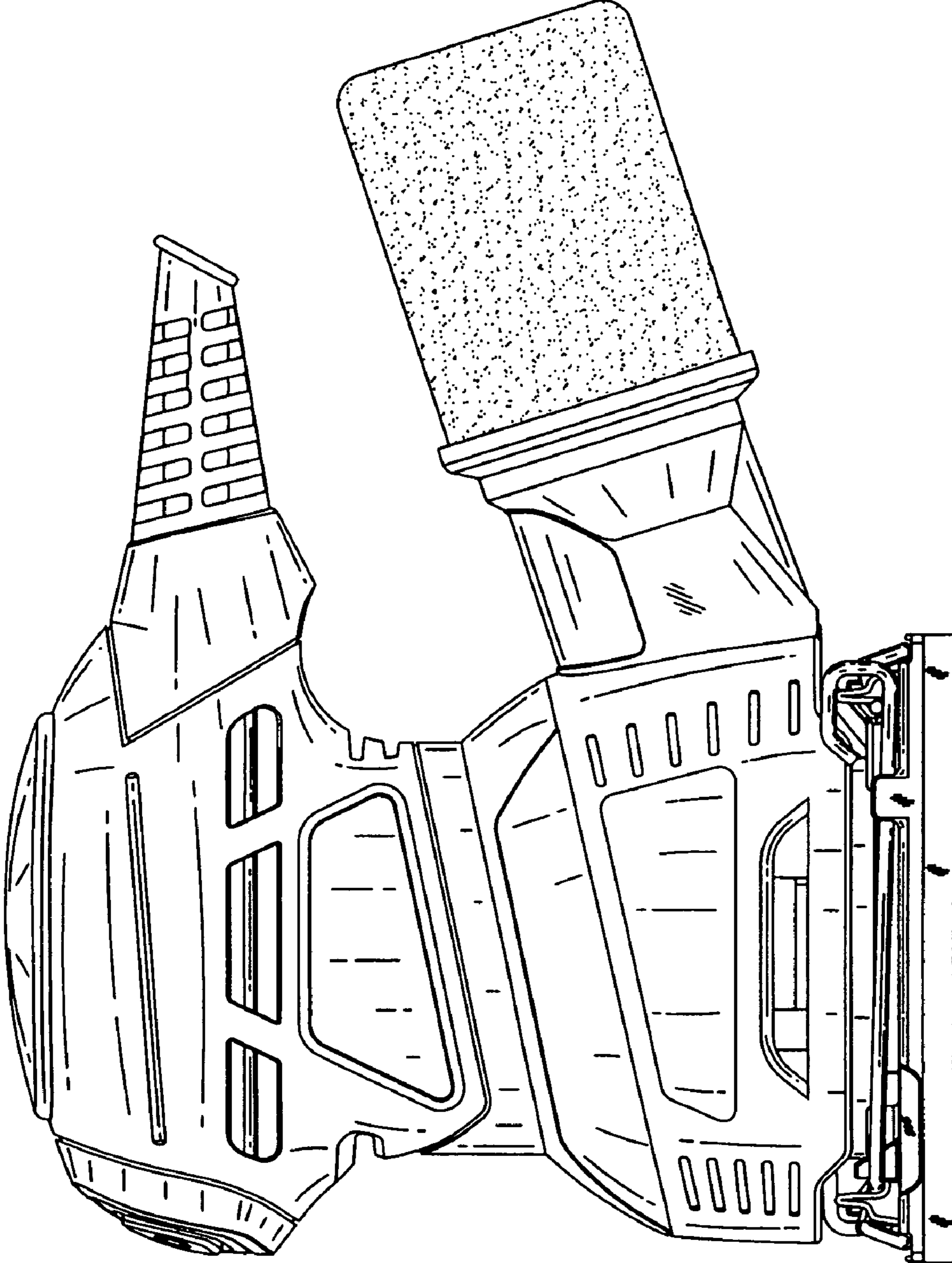


FIG.2

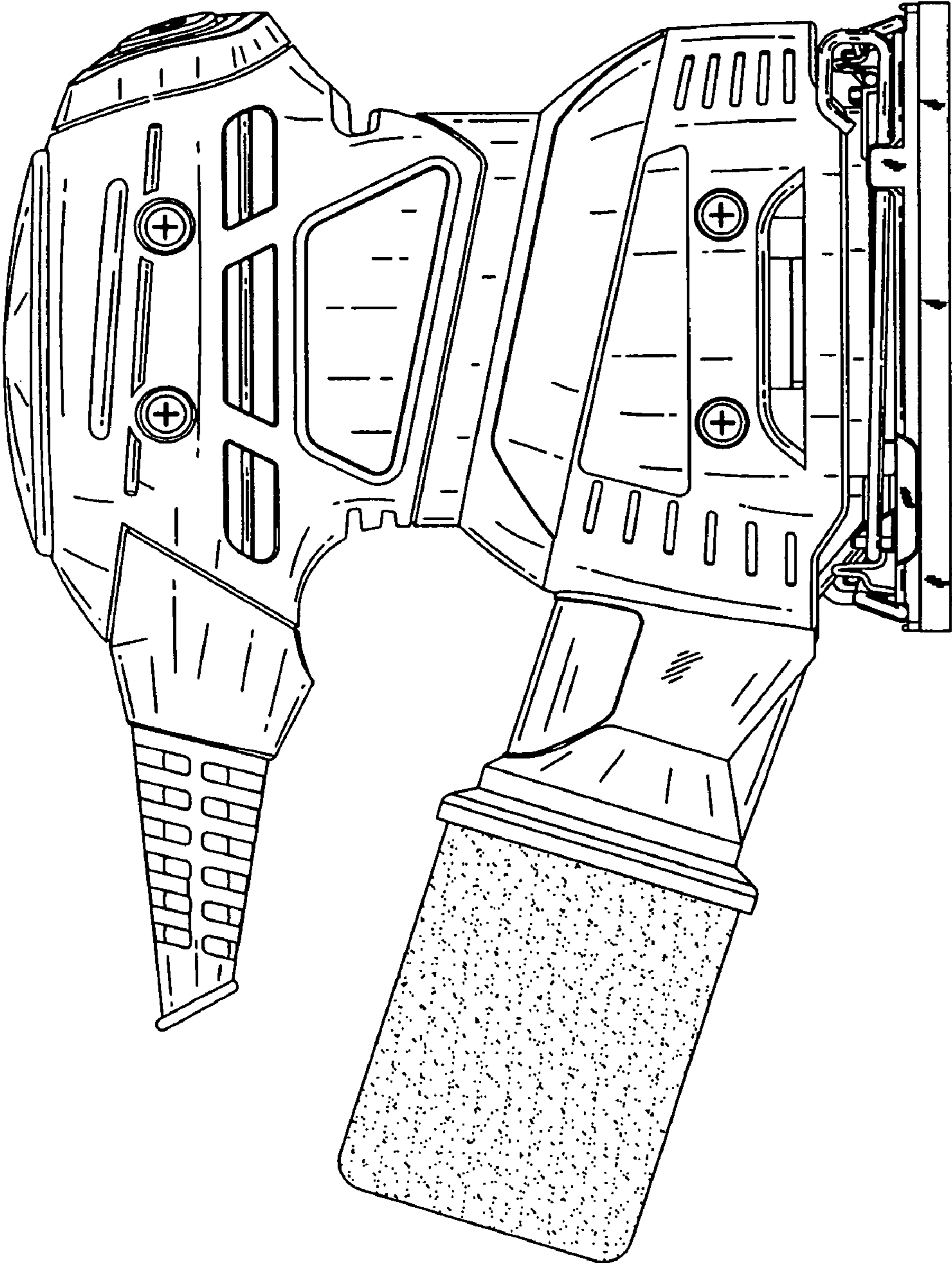


FIG.3

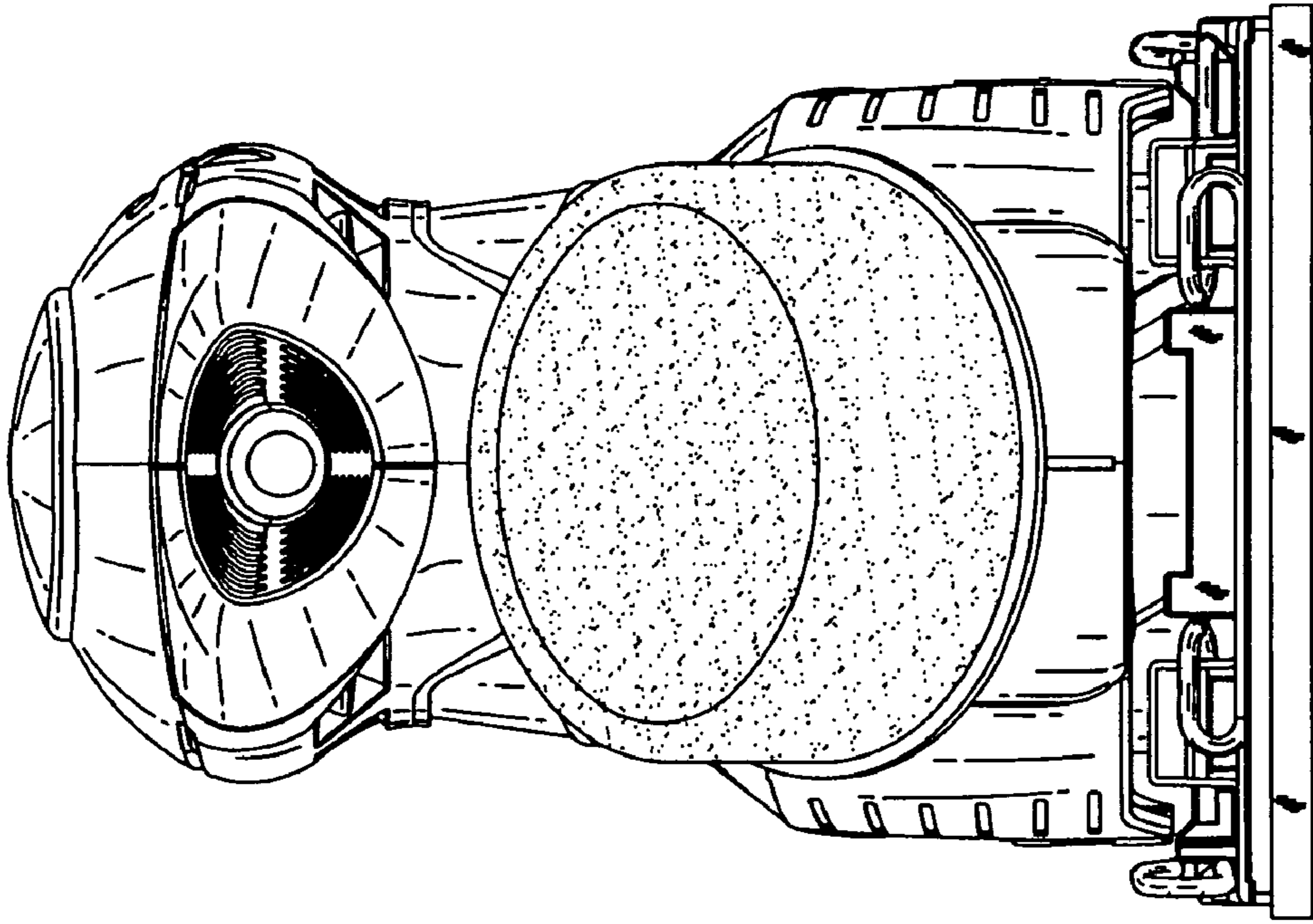


FIG.5

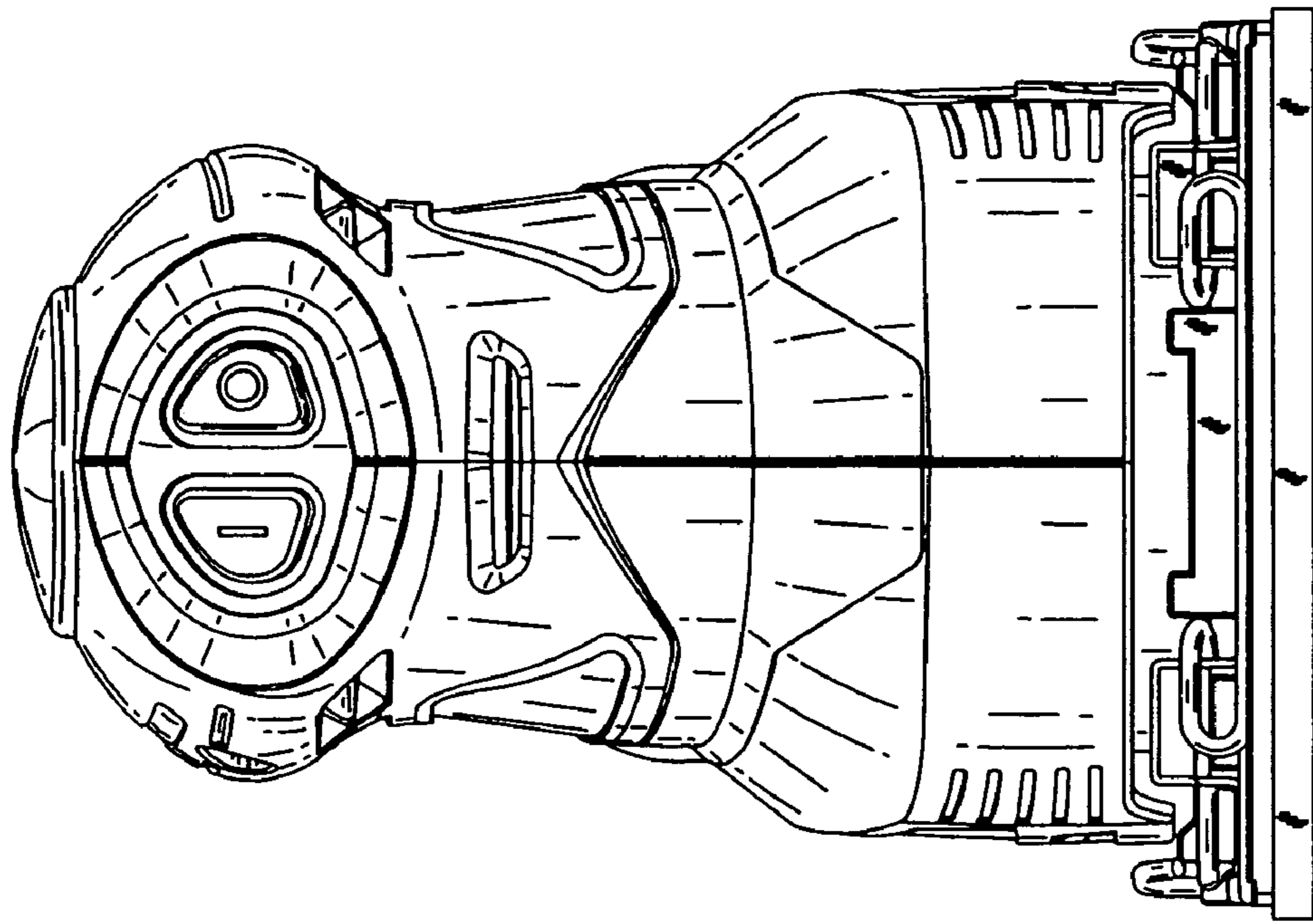


FIG.4

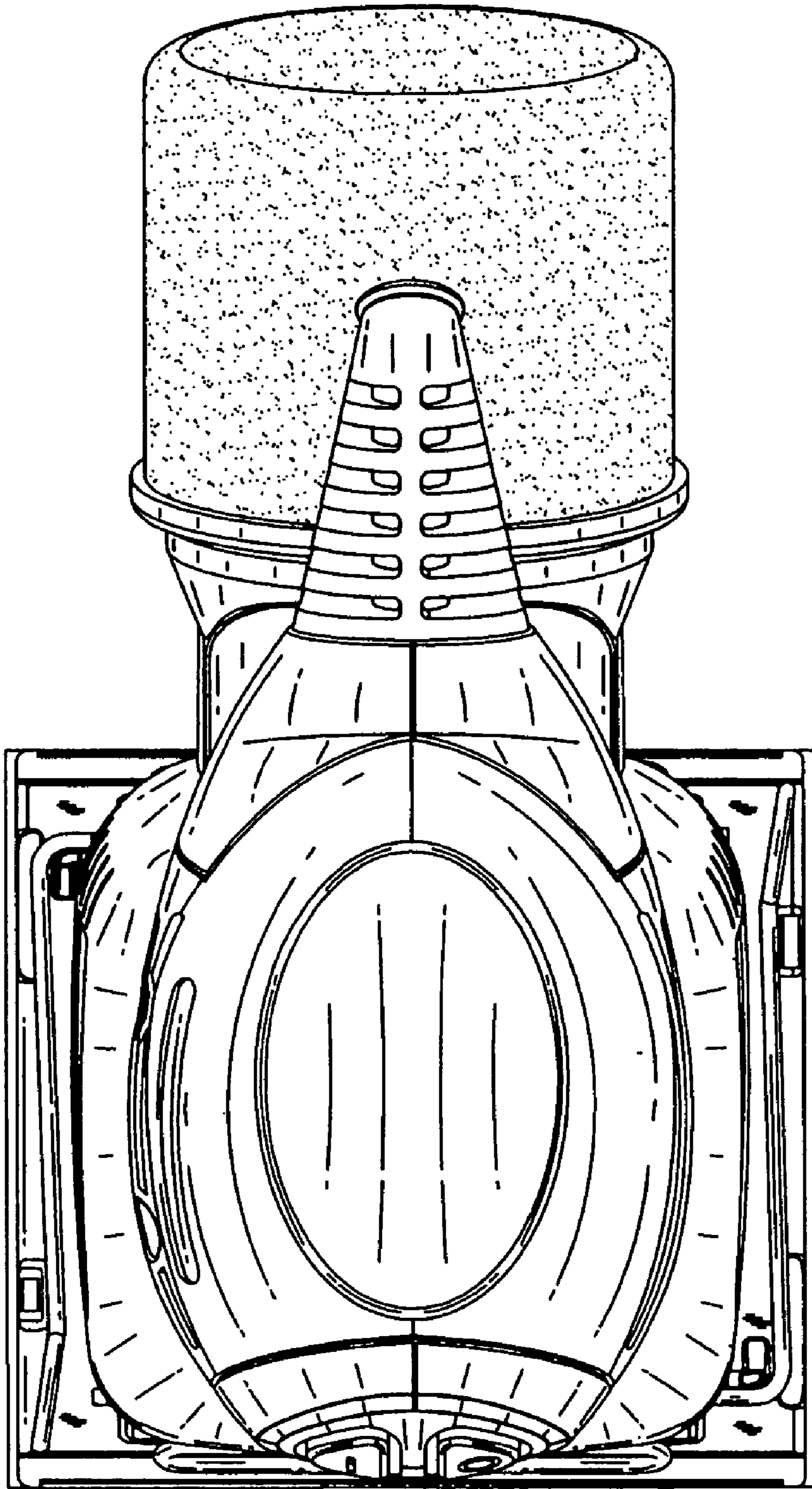


FIG.6

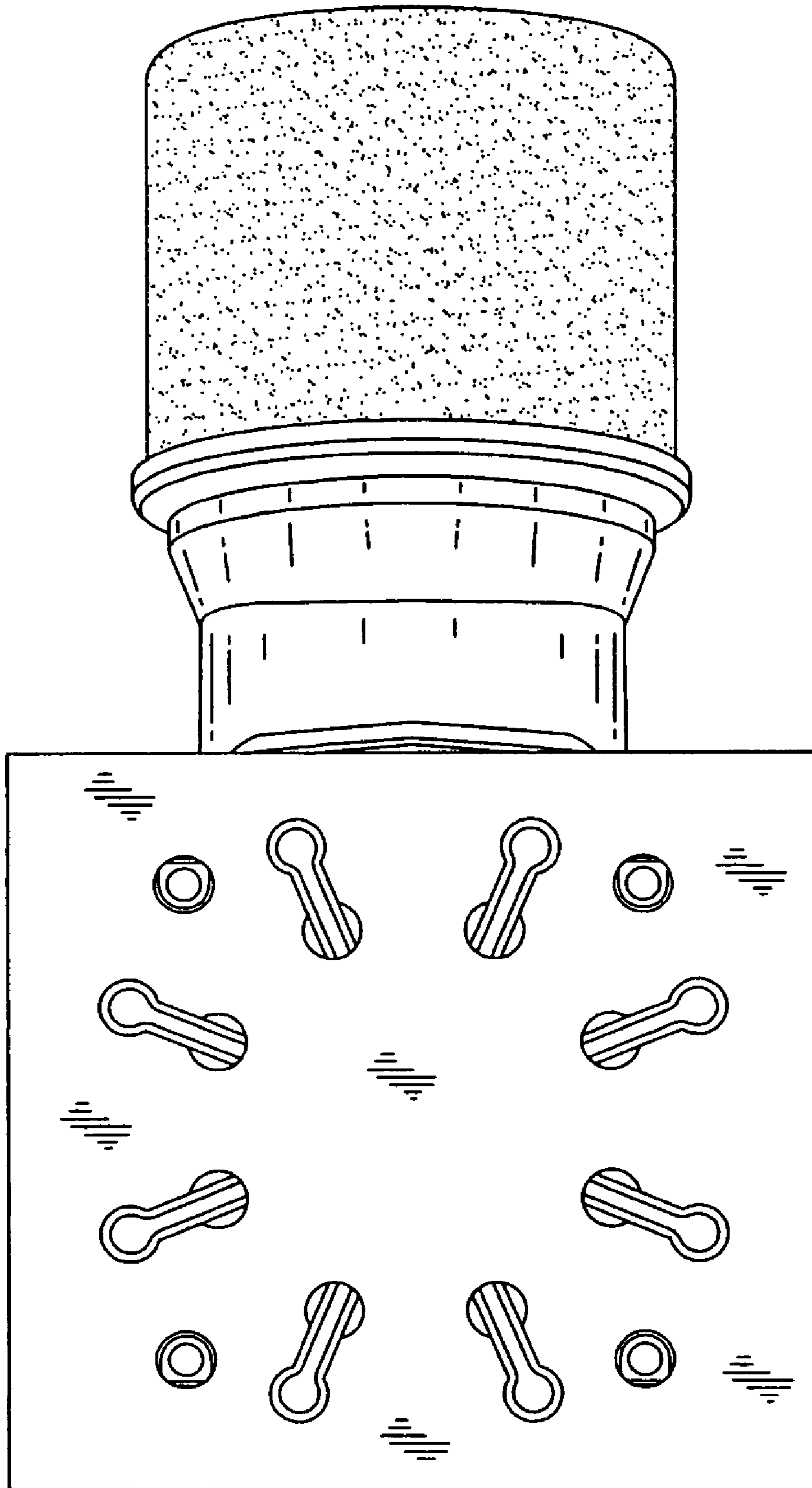


FIG.7

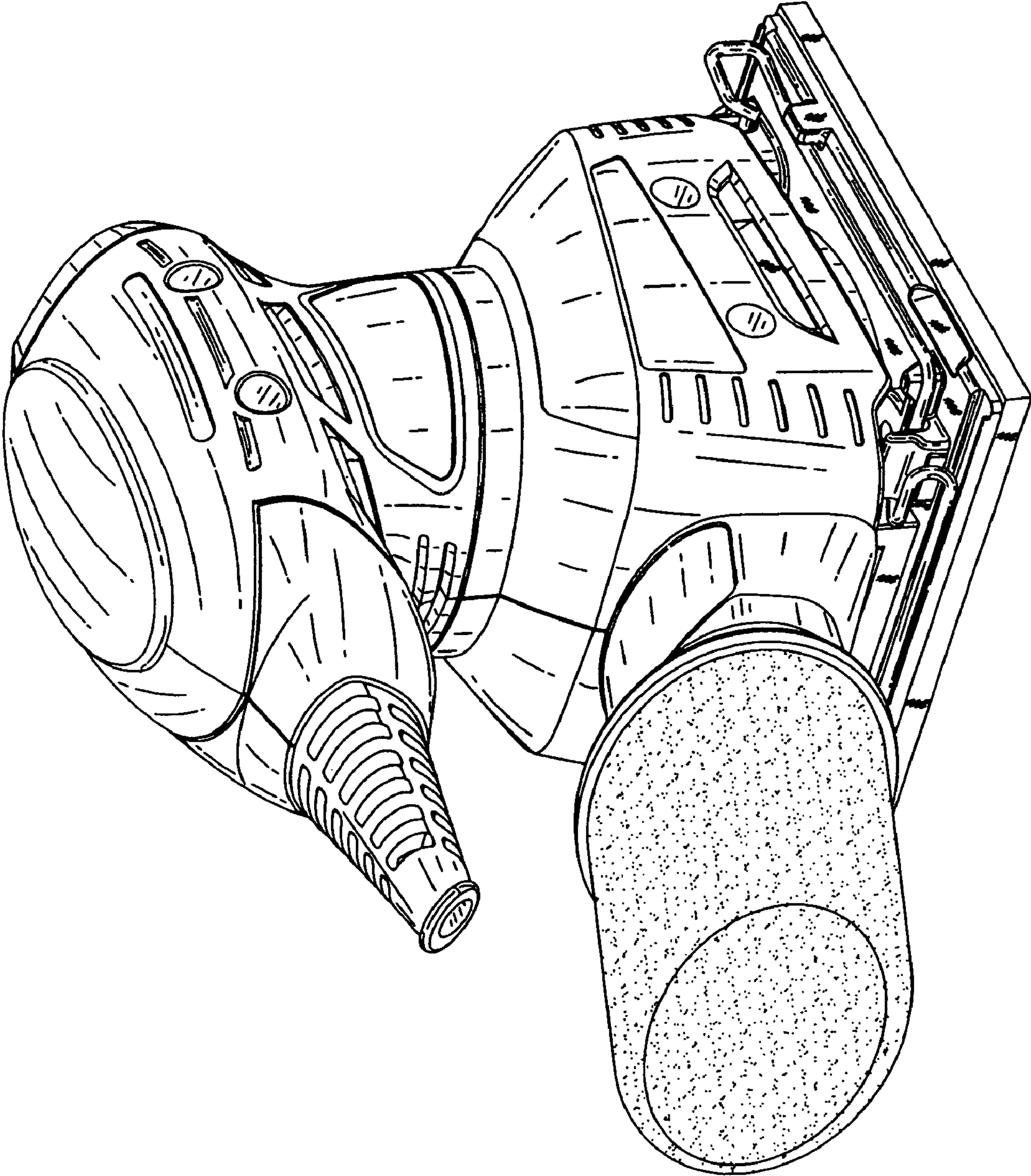


FIG.8