

US00D548554S

(12) **United States Design Patent**
Miyazaki

(10) **Patent No.:** **US D548,554 S**

(45) **Date of Patent:** **** Aug. 14, 2007**

(54) **WIRE INSULATION STRIPPING TOOL**

(75) Inventor: **Mitsuhiko Miyazaki**, Osaka (JP)

(73) Assignee: **Hakko Corporation**, Osaka (JP)

(**) Term: **14 Years**

(21) Appl. No.: **29/233,090**

(22) Filed: **Jun. 27, 2005**

(51) **LOC (8) Cl.** **08-05**

(52) **U.S. Cl.** **D8/51**

(58) **Field of Classification Search** D8/14,
D8/30, 51, 61; 219/221, 227-235; 81/9.4,
81/9.41-9.44; 30/90.1-91.2, 123.5-123.7,
30/123

See application file for complete search history.

(56) **References Cited**

U.S. PATENT DOCUMENTS

2,768,276	A *	10/1956	Arntzen	81/9.44
3,107,287	A *	10/1963	Schechter	81/9.4
3,143,635	A *	8/1964	Hooker	219/221
3,237,489	A *	3/1966	Trethewey et al.	81/9.44
5,257,555	A *	11/1993	Saunders et al.	81/9.44
D381,880	S *	8/1997	LaValley et al.	D8/29.2
D491,030	S *	6/2004	Mituhiko	D8/30
6,750,431	B2 *	6/2004	Miyazaki	219/234
6,972,396	B2 *	12/2005	Miyazaki	219/229

OTHER PUBLICATIONS

HOTweezers, Series 4 Limited.

* cited by examiner

Primary Examiner—Alan P. Douglas

Assistant Examiner—Deanna Fluegeman

(74) *Attorney, Agent, or Firm*—Squire, Sanders & Dempsey LLP

(57) **CLAIM**

The ornamental design for wire insulation stripping tool, as shown and described.

DESCRIPTION

FIG. 1 is a perspective view of wire insulation stripping tool;

FIG. 2 is a front view thereof;

FIG. 3 is a rear view thereof;

FIG. 4 is a left side view thereof;

FIG. 5 is a right side view thereof;

FIG. 6 is a top view thereof; and,

FIG. 7 is a bottom view thereof.

The portion shown by broken lines is for illustrative purposes only and forms no part of the claimed design. The dashed lines show a borderline between the claimed design and other portion.

1 Claim, 4 Drawing Sheets

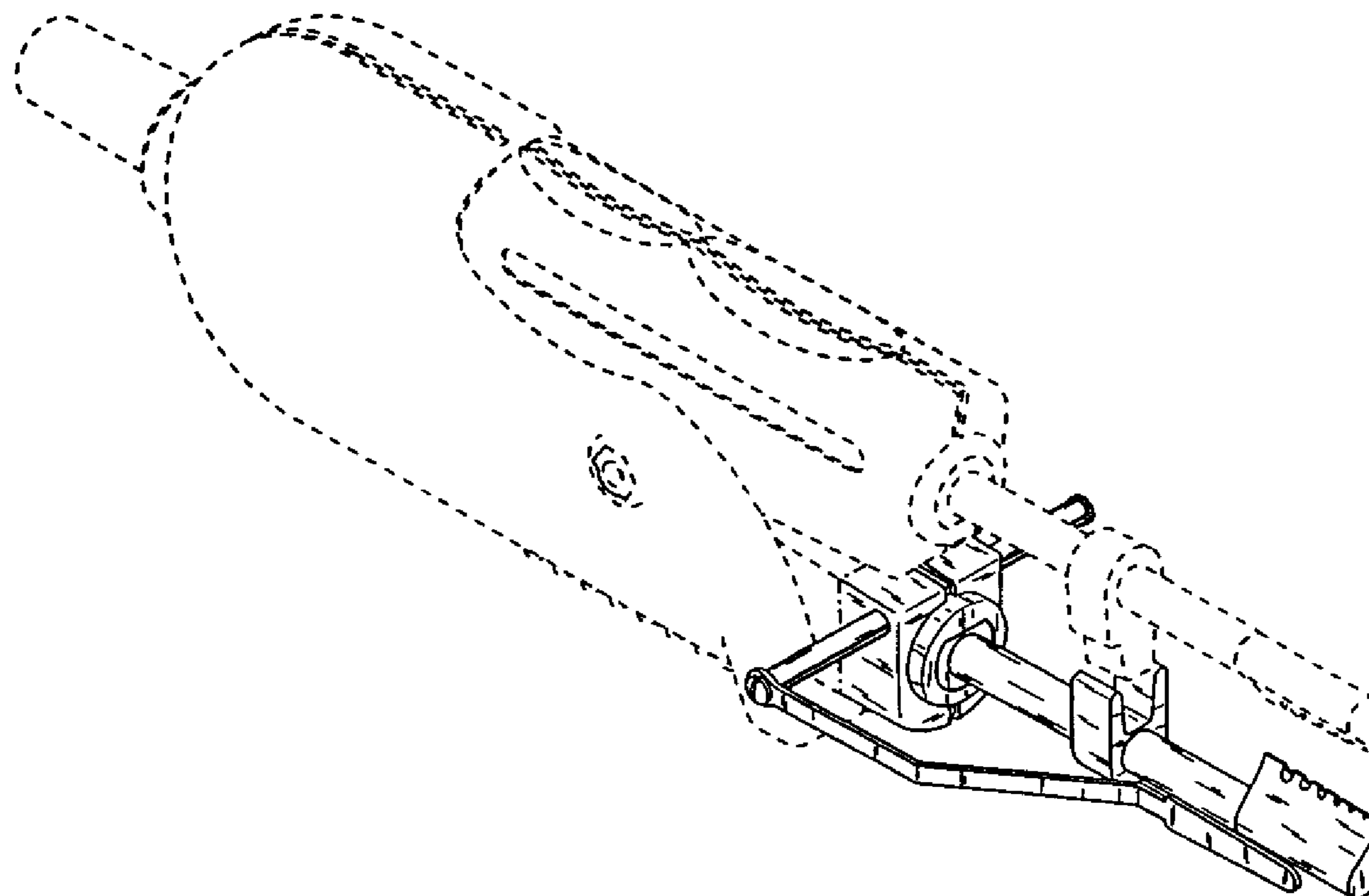


Fig. 1

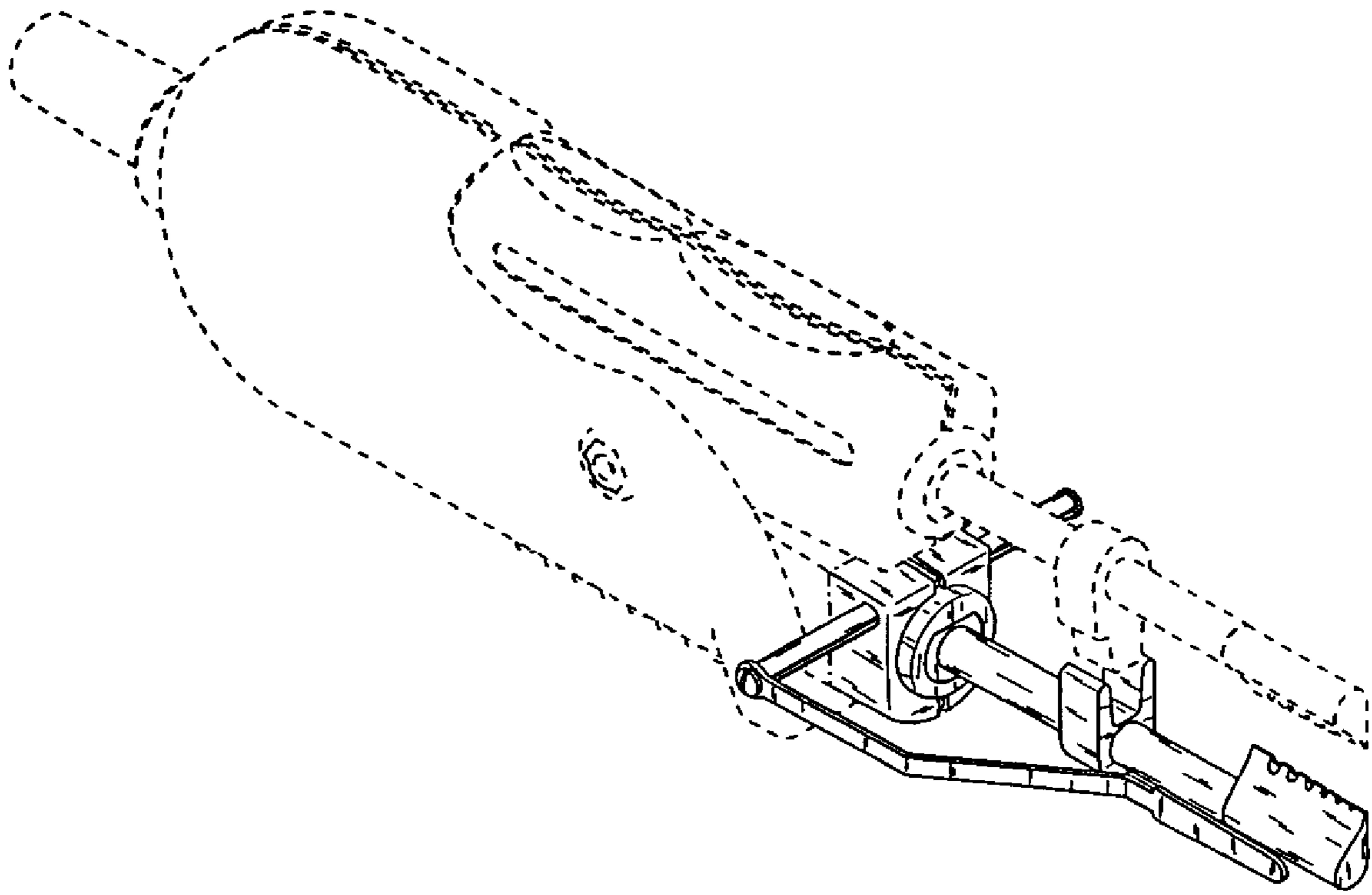


Fig. 2

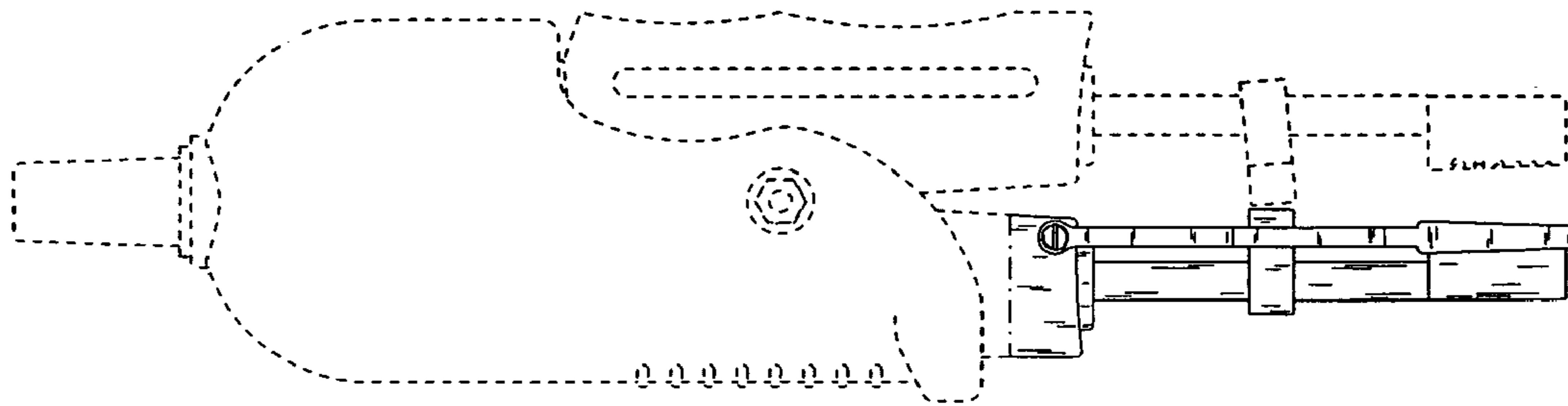


Fig. 3

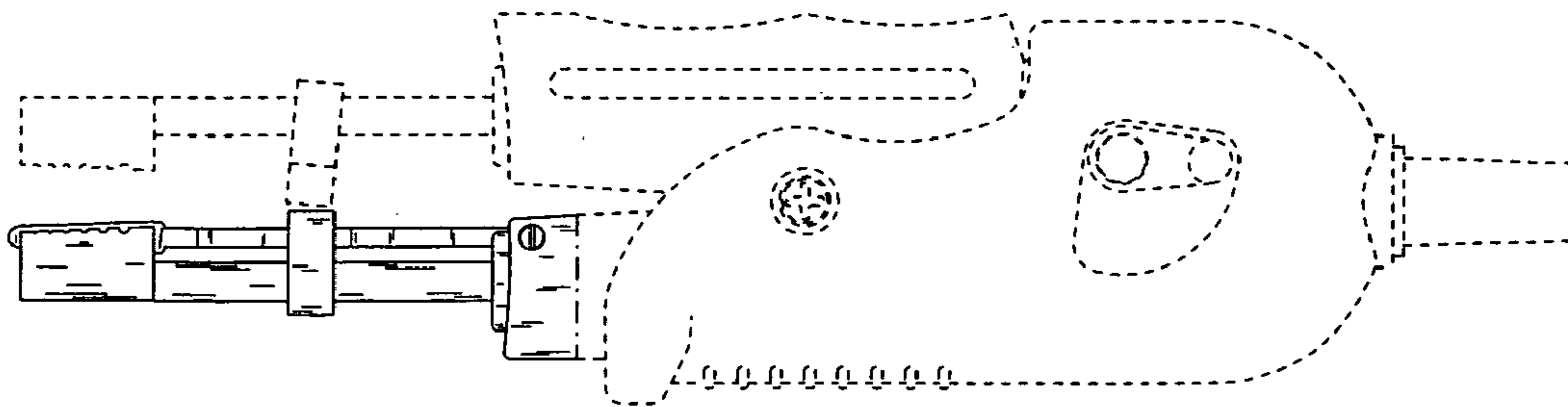


Fig. 4

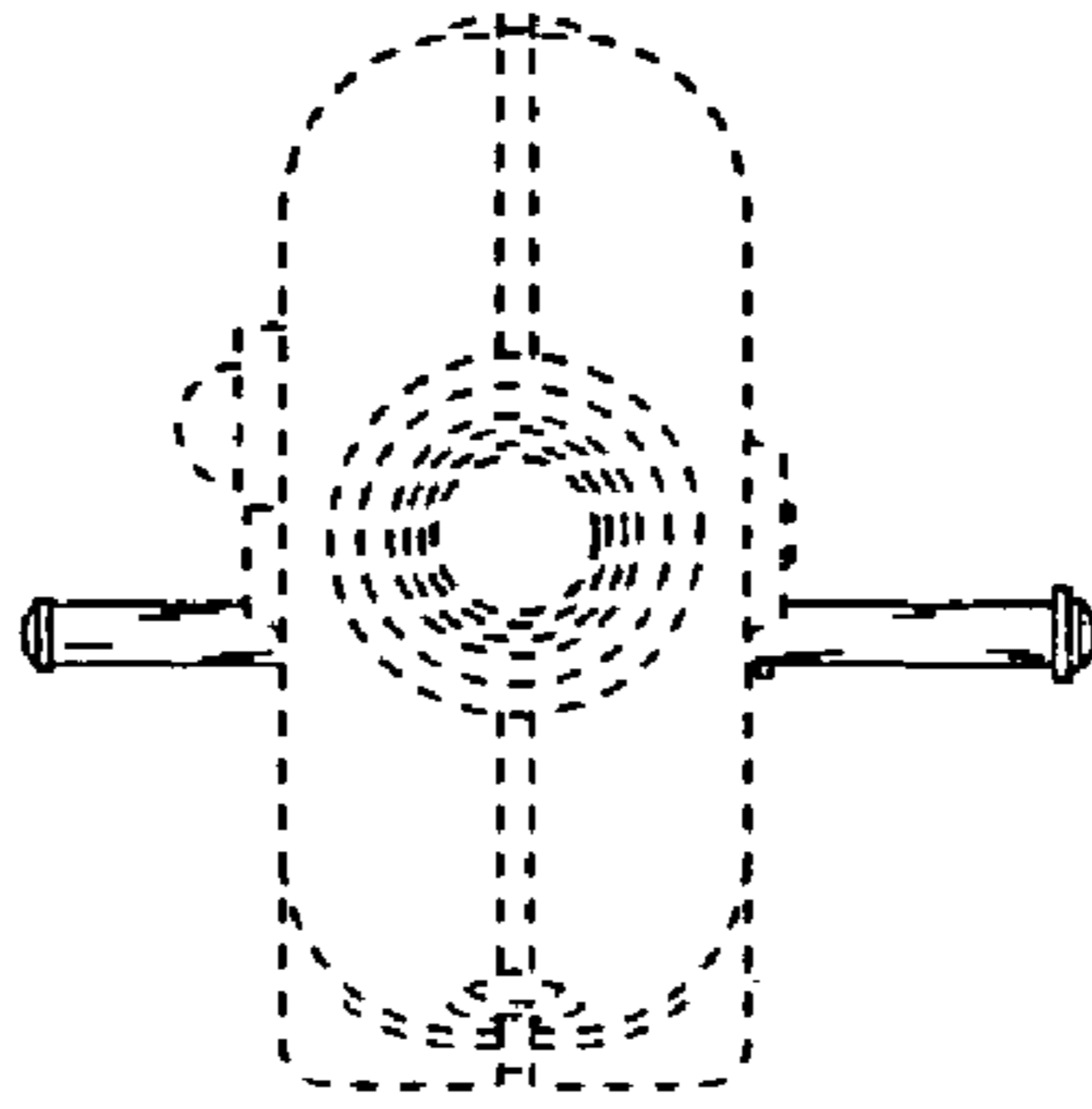


Fig. 5

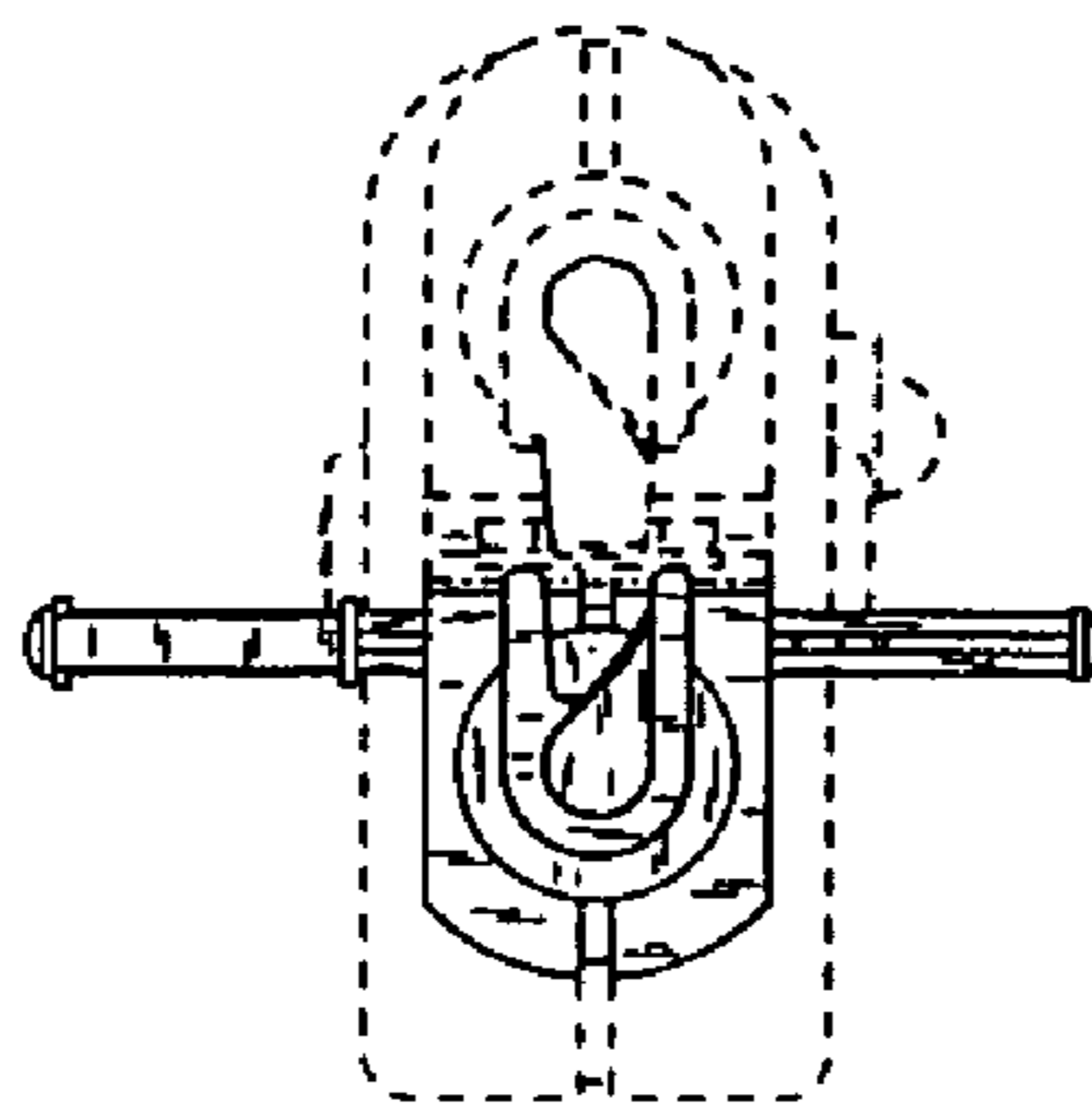


Fig. 6

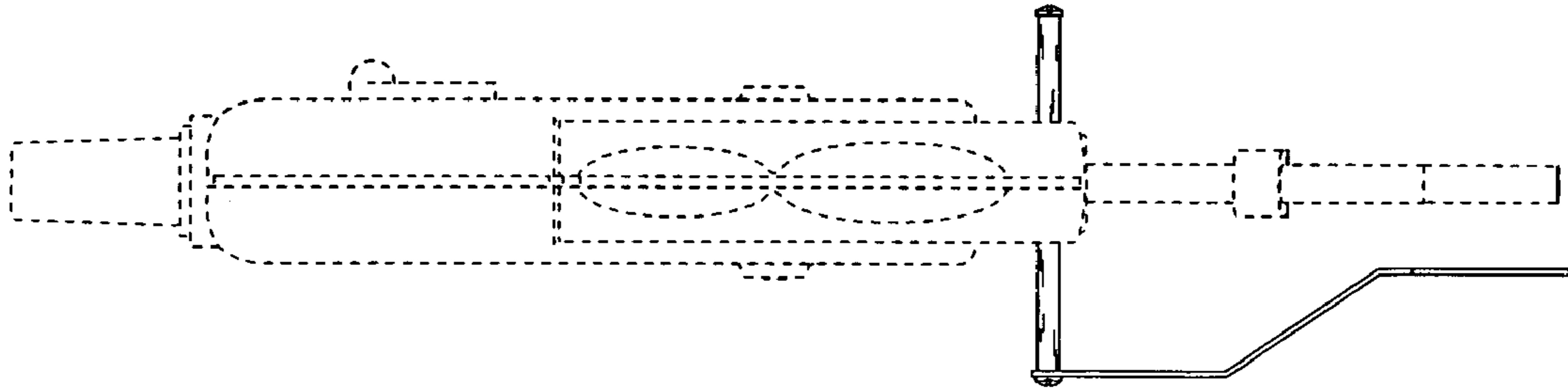


Fig. 7

