

US00D548551S

(12) **United States Design Patent**
Lopano et al.

(10) **Patent No.:** **US D548,551 S**

(45) **Date of Patent:** **** Aug. 14, 2007**

(54) **CAULK GUN**

(75) Inventors: **Daniel N. Lopano**, Towson, MD (US);
Gabriel E. Concari, Eldersburg, MD
(US)

(73) Assignee: **Black & Decker Inc.**, Newark, DE
(US)

(**) Term: **14 Years**

(21) Appl. No.: **29/252,142**

(22) Filed: **Jan. 19, 2006**

(51) **LOC (8) Cl.** **08-05**

(52) **U.S. Cl.** **D8/14.1**

(58) **Field of Classification Search** D8/14,
D8/14.1, 29.1, 51, 61, 68; 222/333, 325,
222/326, 327, 330, 390

See application file for complete search history.

(56) **References Cited**

U.S. PATENT DOCUMENTS

3,987,939	A *	10/1976	Pedone et al.	222/325
4,615,469	A	10/1986	Kishi et al.	
D290,681	S	7/1987	Pudwill	
D328,555	S	8/1992	Keller	
5,300,029	A *	4/1994	Denance	604/117
D348,811	S *	7/1994	Albers	D8/14.1
D361,247	S	8/1995	Snetting et al.	
5,450,988	A *	9/1995	Jerde	222/333
D378,338	S *	3/1997	Acciville et al.	D8/14.1
D382,456	S *	8/1997	Granville, Jr.	D8/14.1
5,762,239	A *	6/1998	Cossette	222/326
6,152,333	A *	11/2000	Binder	222/333
6,241,130	B1 *	6/2001	Heiberger	222/325
6,311,871	B1 *	11/2001	Binder	222/145.6
6,321,945	B1	11/2001	Girouard et al.	
D463,962	S	10/2002	Gollaway	
6,488,180	B1	12/2002	Bayat	
D493,344	S	7/2004	Watson	
D499,624	S	12/2004	Concari et al.	
D508,643	S	8/2005	Concari et al.	

6,926,177	B1 *	8/2005	Scott et al.	222/390
7,063,240	B1 *	6/2006	Niswonger	222/391
2002/0108971	A1	8/2002	Lafond	

FOREIGN PATENT DOCUMENTS

DE	M 88 03 222	11/1988
DE	M 89 04 689	7/1989

(Continued)

Primary Examiner—Philip S. Hyder

(74) *Attorney, Agent, or Firm*—Mehul R. Jani; Adan Ayala

(57) **CLAIM**

The ornamental design for a caulk gun, as shown and described.

DESCRIPTION

FIG. 1 is a perspective view of a caulk gun showing the new design.

FIG. 2 is a front view thereof.

FIG. 3 is a rear view thereof.

FIG. 4 is a right side view thereof.

FIG. 5 is a left side view thereof.

FIG. 6 is a top plan view thereof.

FIG. 7 is a bottom plan view thereof.

FIG. 8 is a perspective view of a second embodiment of a caulk gun showing the new design.

FIG. 9 is a front view of a second embodiment thereof.

FIG. 10 is a rear view of a second embodiment thereof.

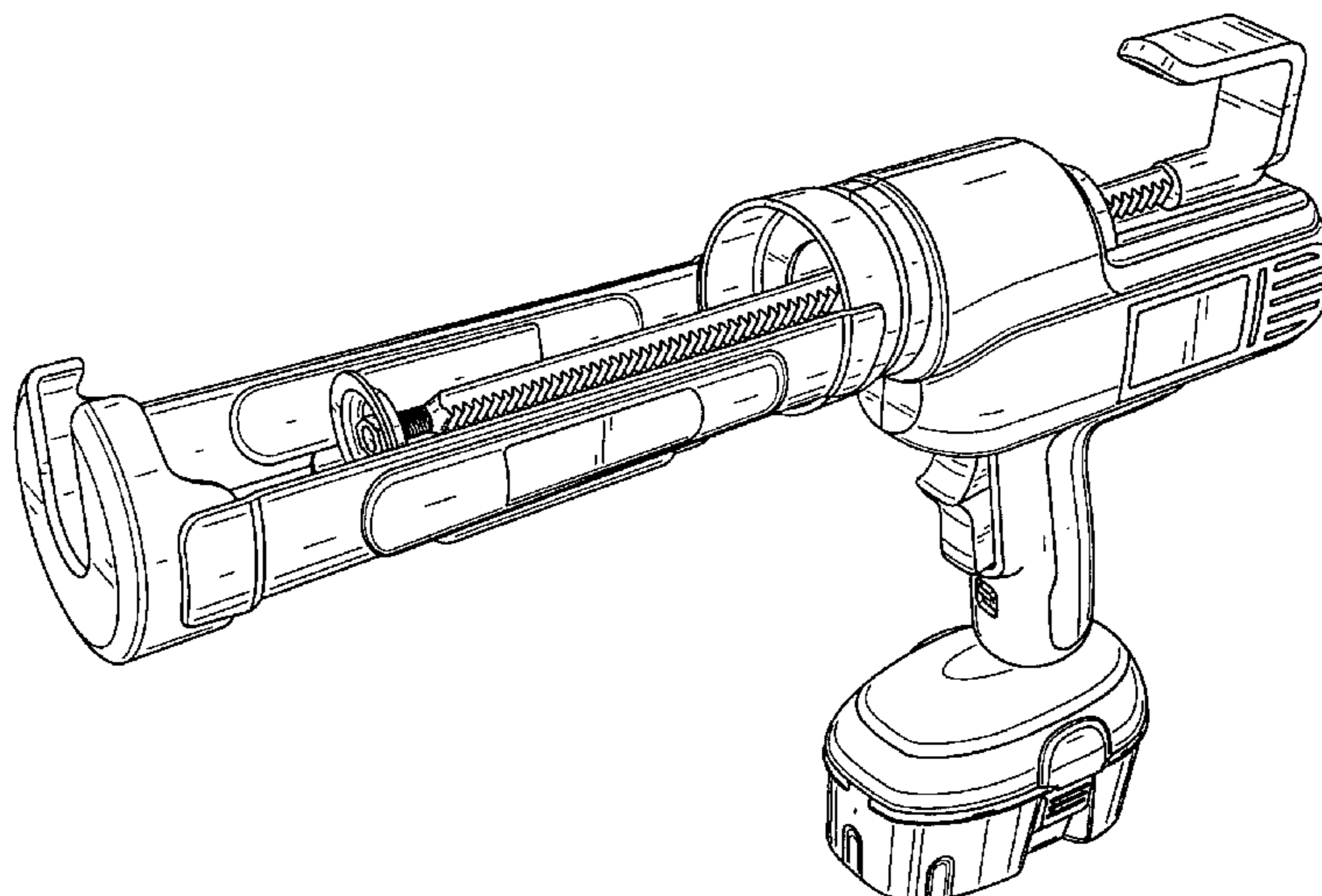
FIG. 11 is a right side view of a second embodiment thereof.

FIG. 12 is a left side view of a second embodiment thereof; and,

FIG. 13 is a top plan view of a second embodiment thereof.

The broken lines that define the bounds of the claimed design form no part thereof.

1 Claim, 10 Drawing Sheets



US D548,551 S

Page 2

FOREIGN PATENT DOCUMENTS					
			DE	M 98 01 699	2/1998
			WO	DM/015 445	12/1989
DE	M 92 01 669	2/1992	WO	DM/045 912	11/1998
DE	M 95 00 539	1/1995	WO	DM/059857	5/2002
DE	M 95 03 696	4/1995			
DE	M 95 04 125	5/1995			
DE	M 96 09 059	10/1996			

* cited by examiner

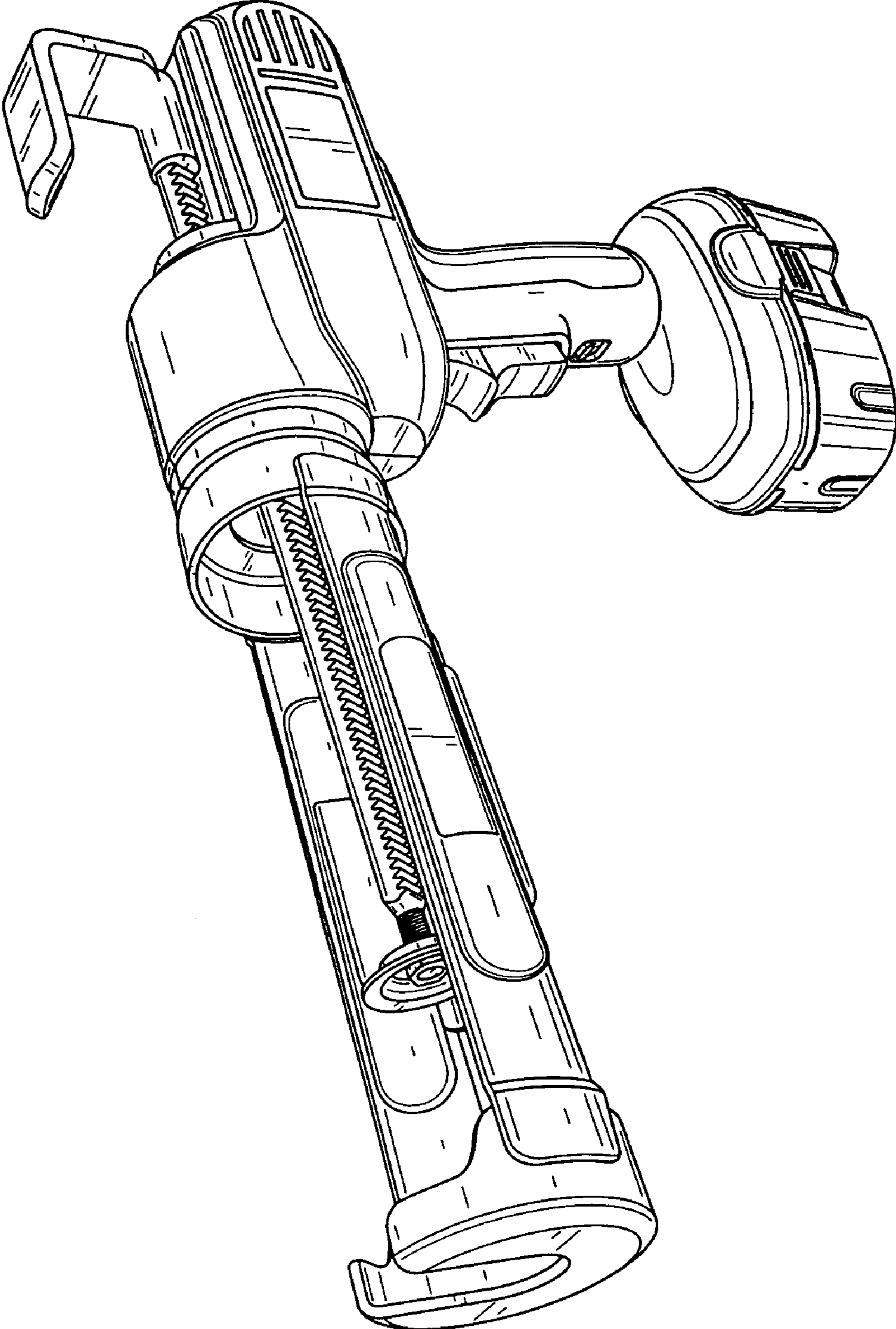


FIG. 1

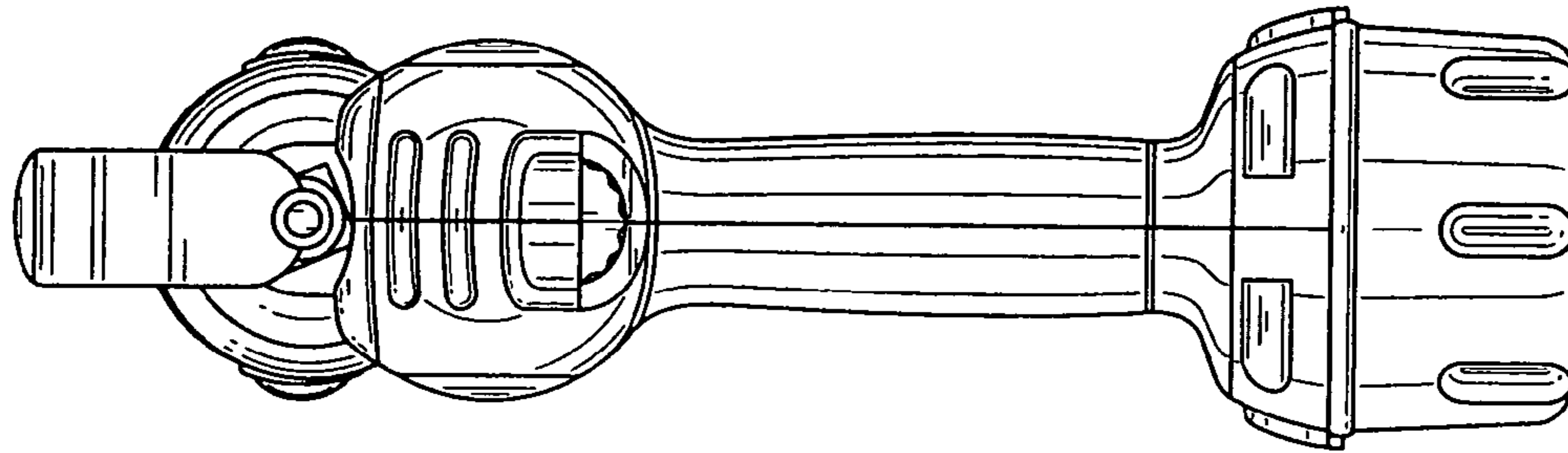


FIG. 3

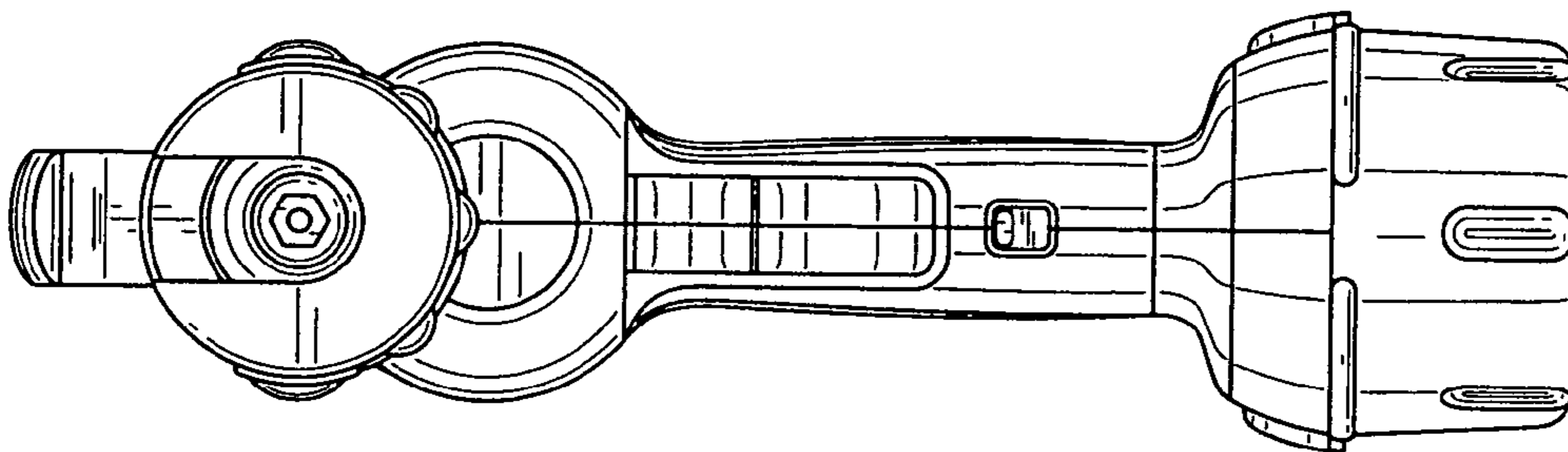


FIG. 2

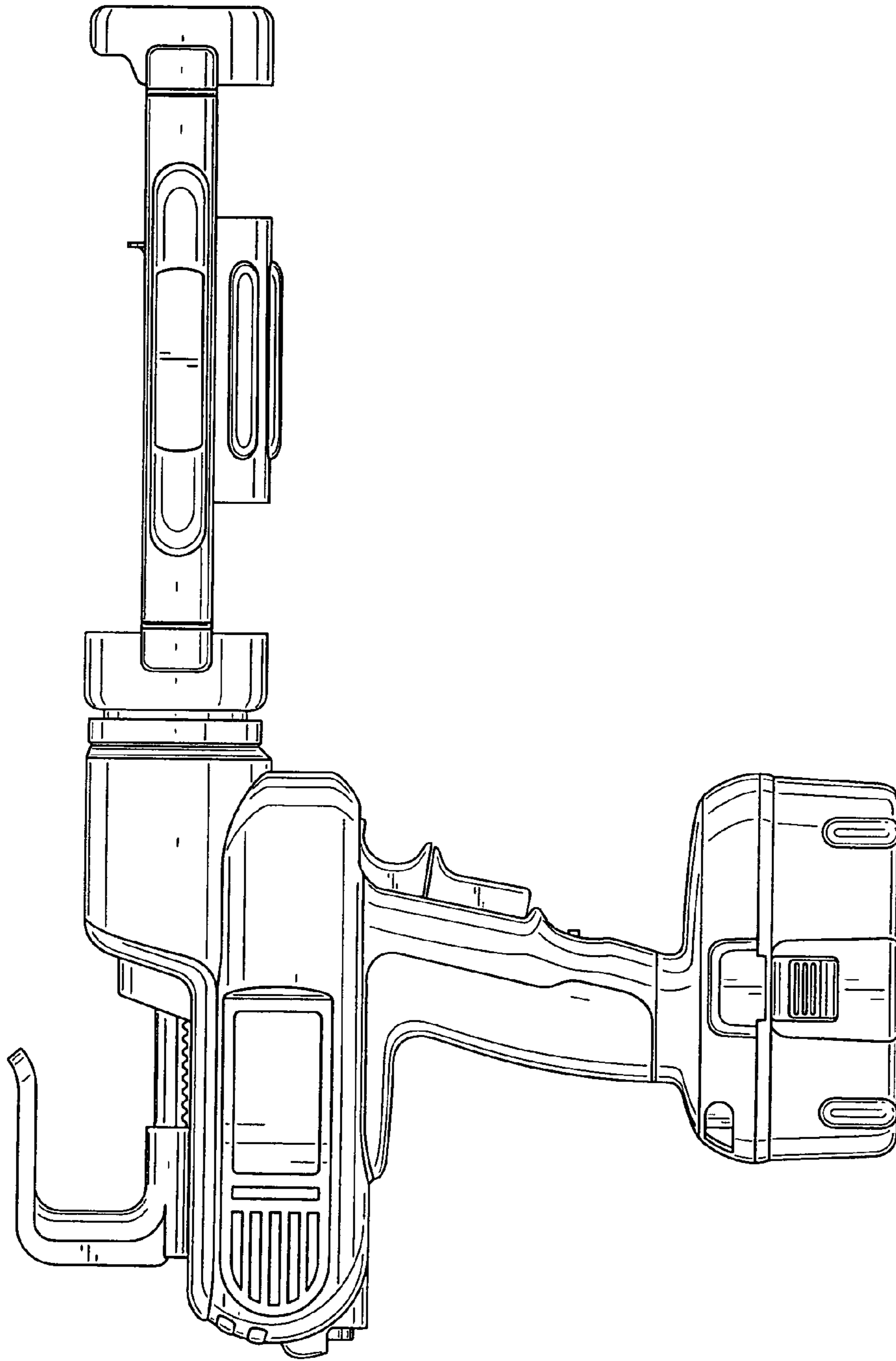


FIG. 4

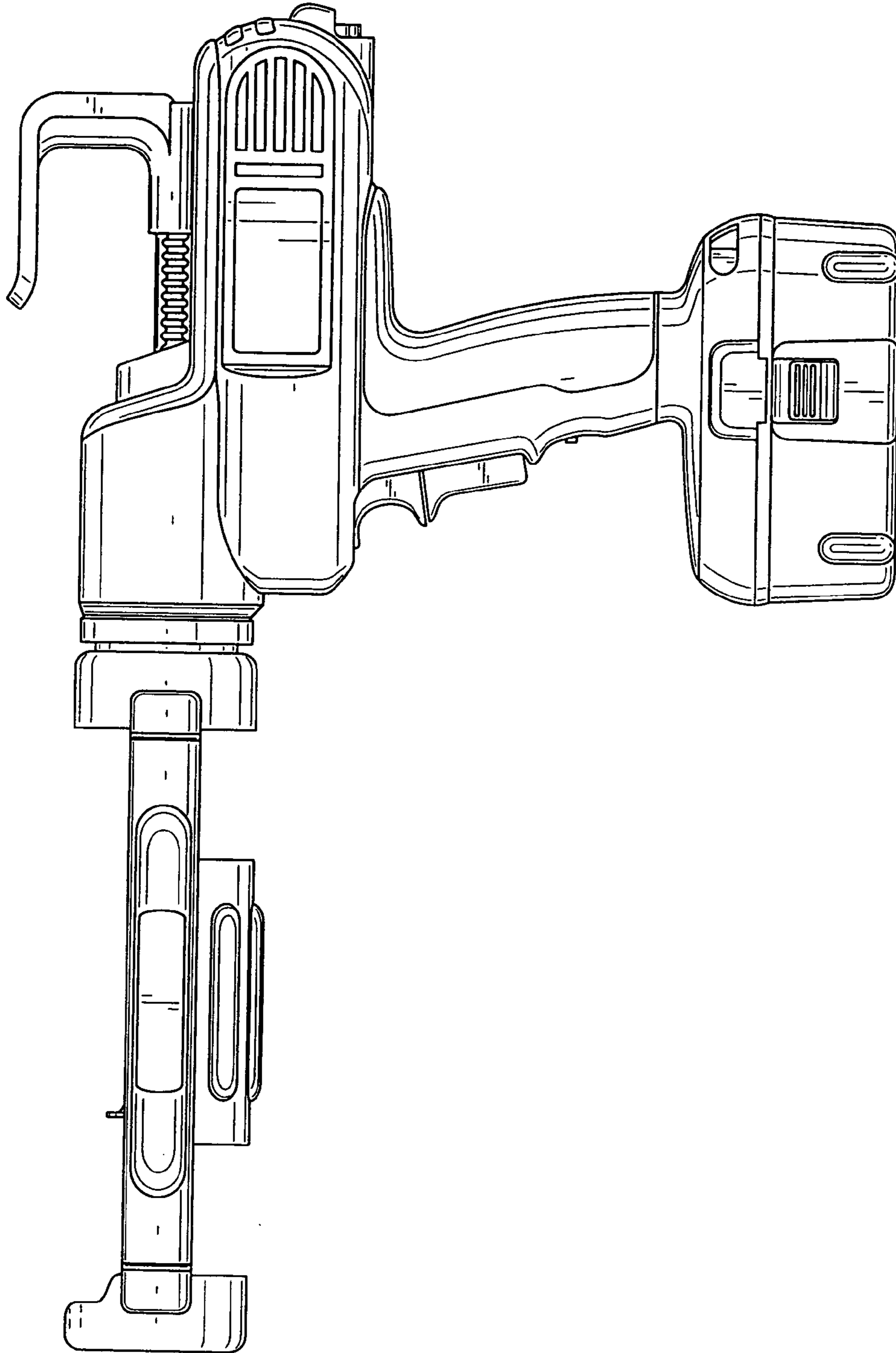


FIG. 5

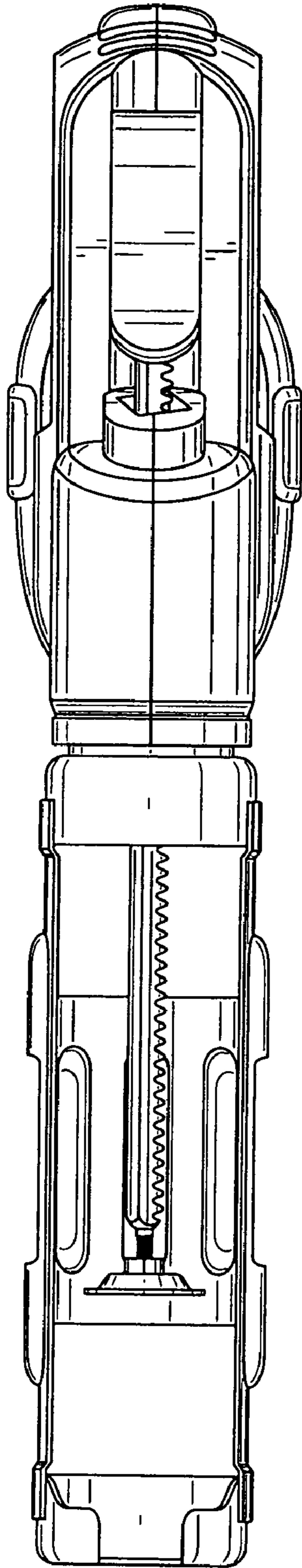


FIG. 6

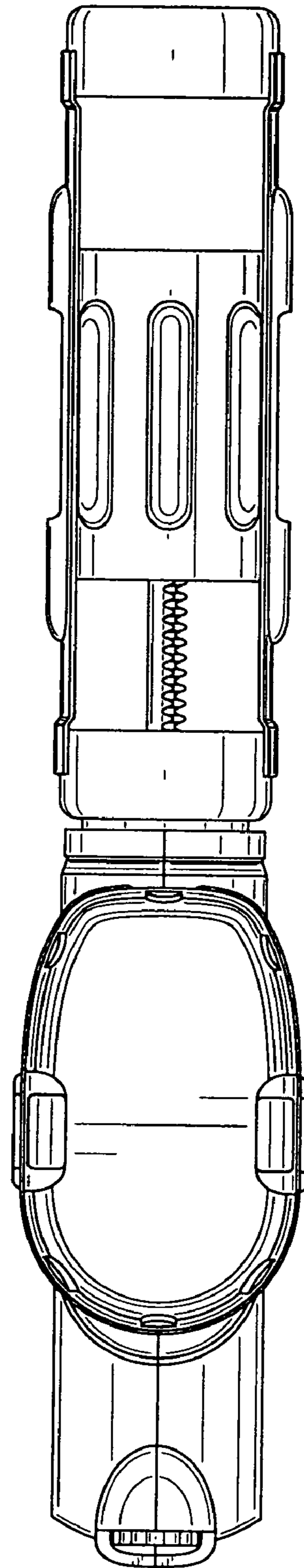


FIG. 7

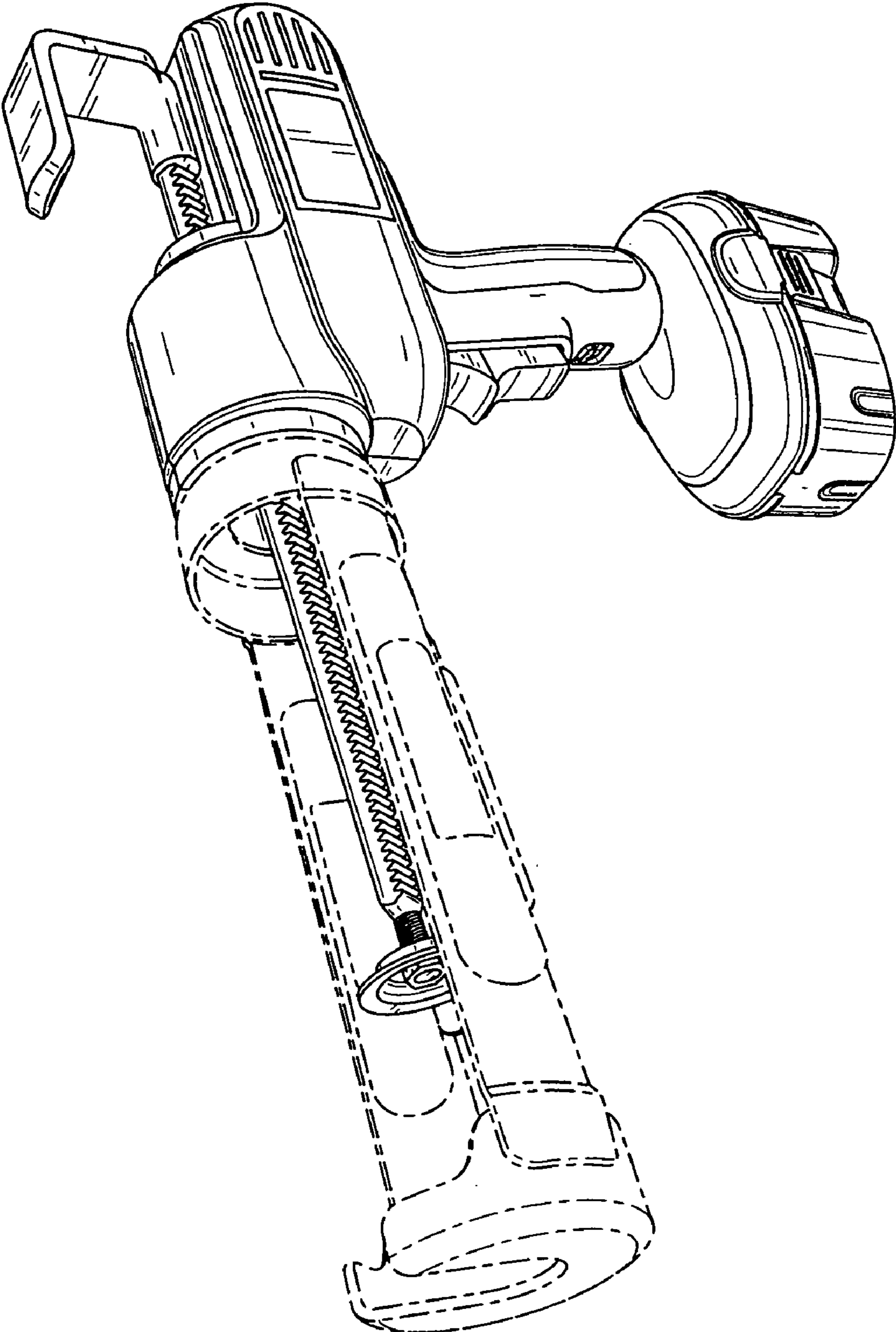


FIG. 8

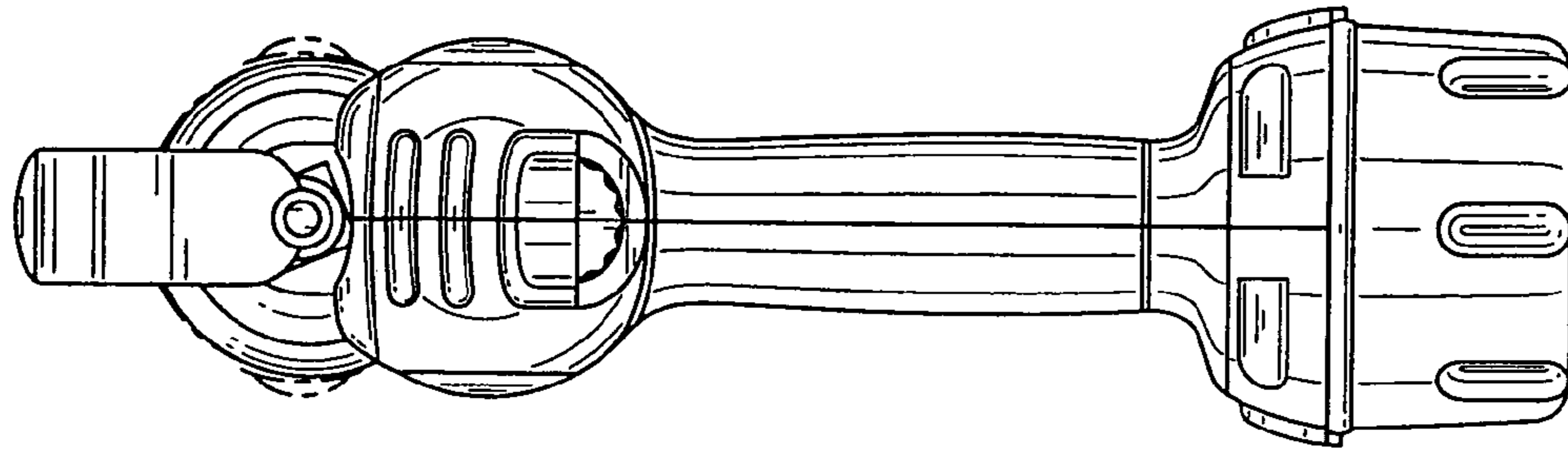


FIG. 10

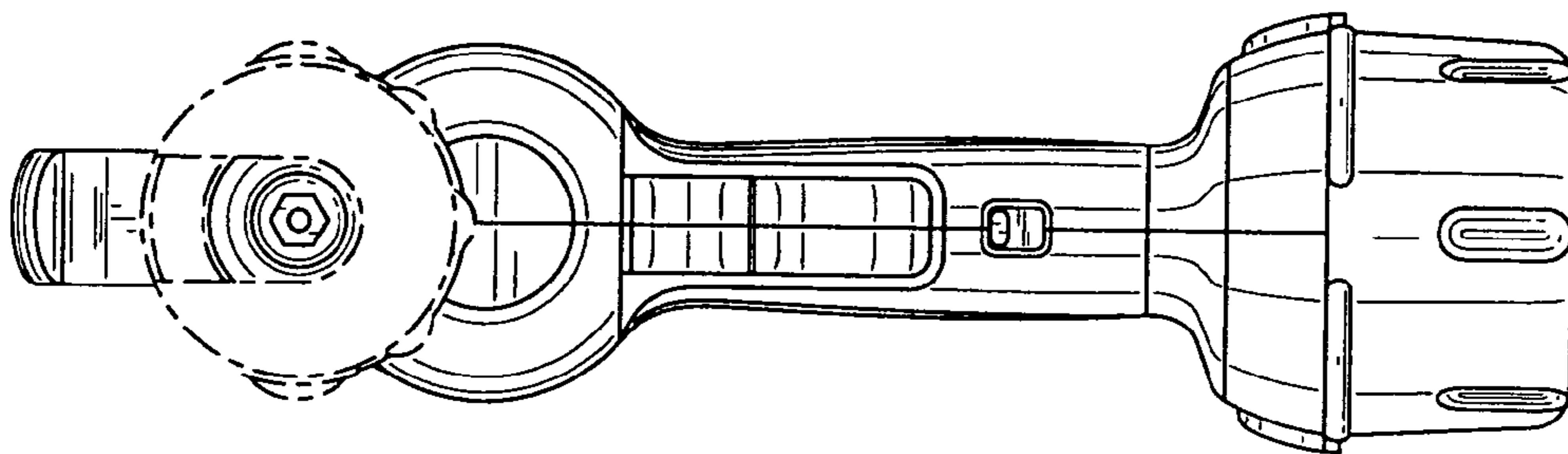


FIG. 9

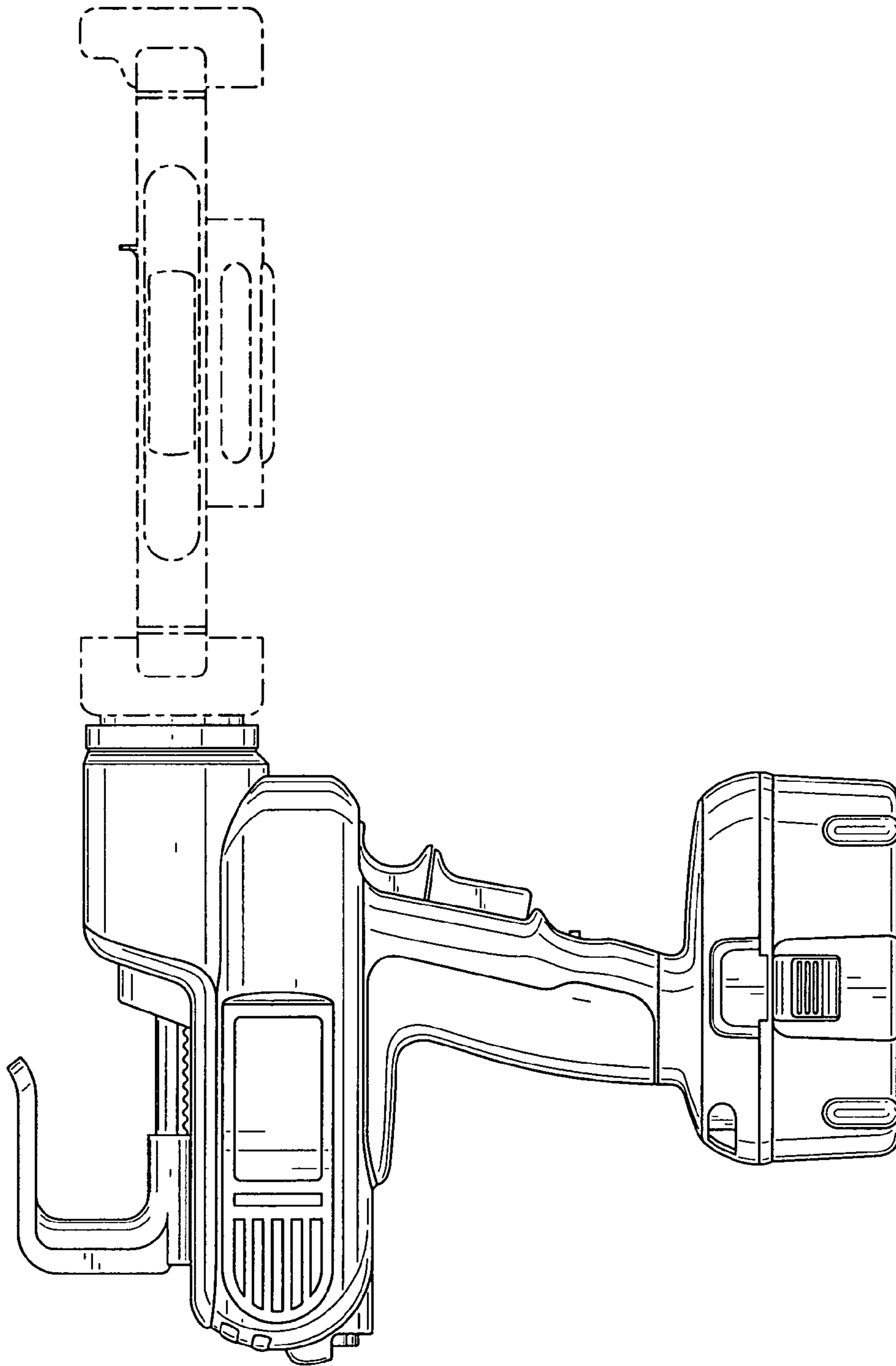


FIG. 11

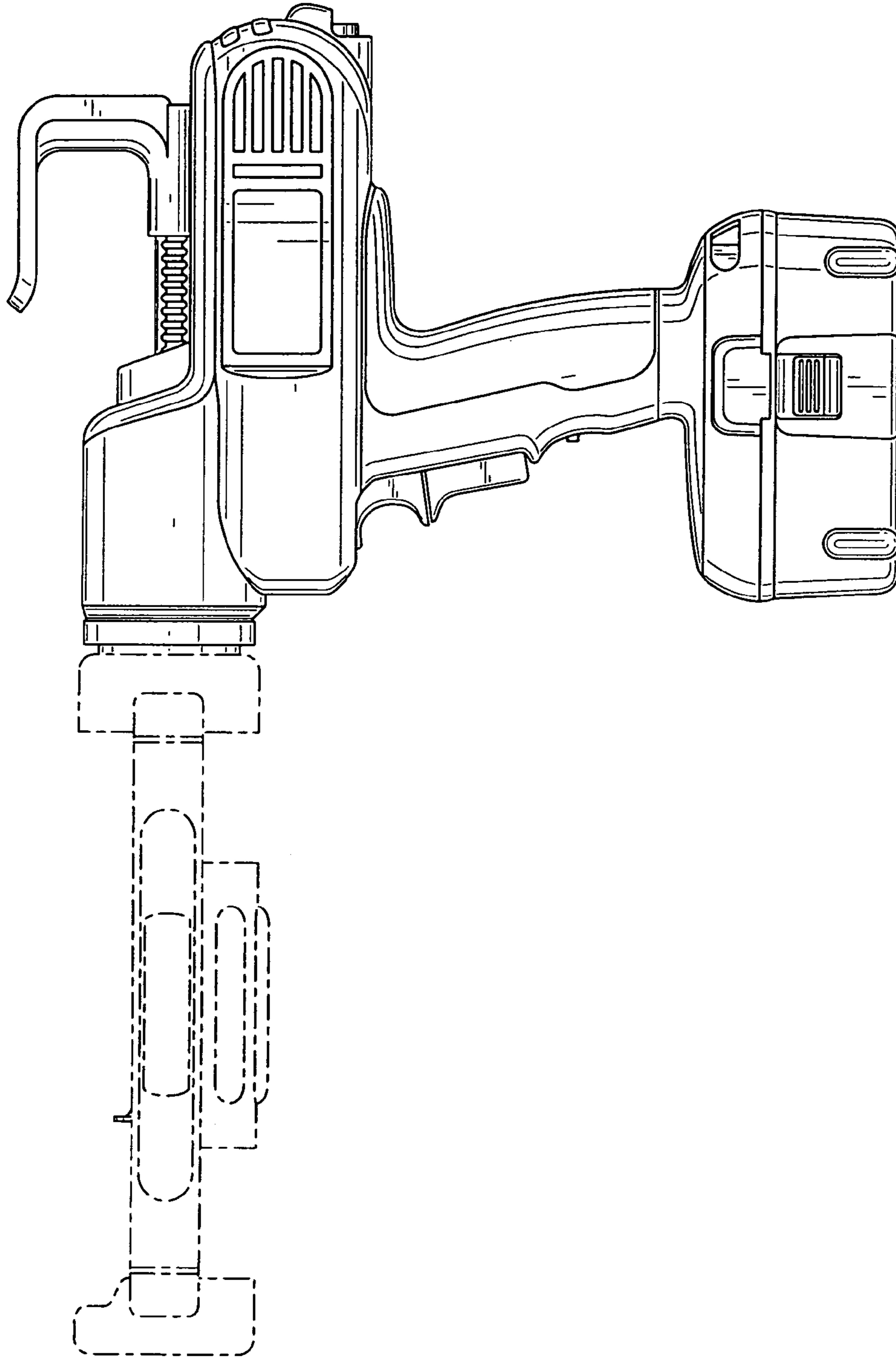


FIG. 12

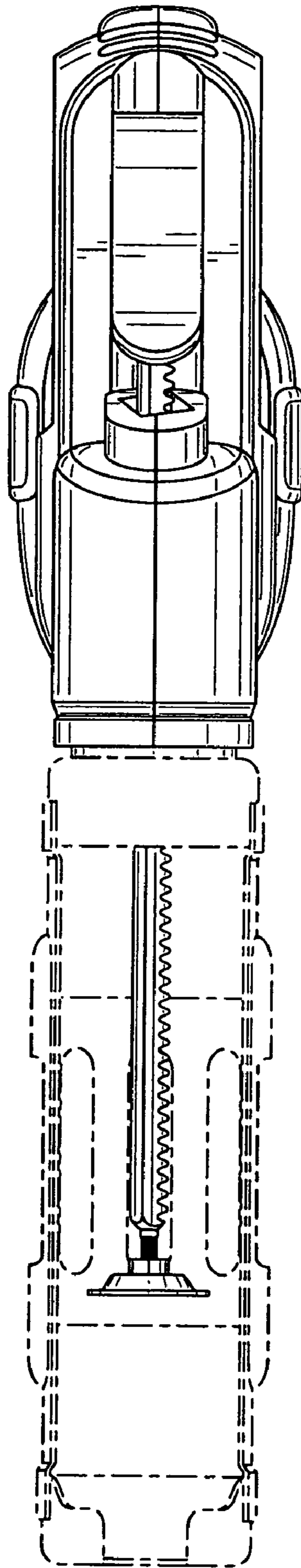


FIG. 13