

US00D548548S

(12) **United States Design Patent**
Lee

(10) **Patent No.:** **US D548,548 S**

(45) **Date of Patent:** **** Aug. 14, 2007**

(54) **SLICER**

(75) Inventor: **Shek Tang Lee**, Tsuen Wan (HK)

(73) Assignee: **Best Luck Technology Development Limited**, Tsuen Wan, New Territories (HK)

(**) Term: **14 Years**

(21) Appl. No.: **29/249,097**

(22) Filed: **Sep. 20, 2006**

(30) **Foreign Application Priority Data**

May 3, 2006 (HK) 0601186

(51) **LOC (8) Cl.** **07-04**

(52) **U.S. Cl.** **D7/673**

(58) **Field of Classification Search** D7/672, D7/673, 693, 677, 678, 695; 83/437.5, 932, 83/437.7, 856, 441.1, 247, 699.51, 431, 435.15, 83/425.3, 699.61; 241/273.1-273.4, 93, 241/95, 168, 169, 101.1; 30/278-291
See application file for complete search history.

(56) **References Cited**

U.S. PATENT DOCUMENTS

3,495,639 A * 2/1970 Johansson 241/95

4,038,892 A * 8/1977 Popeil 83/874
D400,767 S * 11/1998 de Saint-Genois D7/673
6,732,622 B2 * 5/2004 Vincent 83/247
D495,218 S * 8/2004 Yu D7/673
D505,301 S * 5/2005 Wong D7/673
D532,261 S * 11/2006 Mellen et al. D7/673

* cited by examiner

Primary Examiner—Terry A. Wallace

(74) *Attorney, Agent, or Firm*—Egbert Law Offices

(57) **CLAIM**

I claim the ornamental design for a slicer, as shown and described.

DESCRIPTION

FIG. 1 is top plan view of the slicer showing my design.

FIG. 2 is a side elevation view thereof;

FIG. 3 is an opposite side elevation view thereof;

FIG. 4 is an end elevation view thereof;

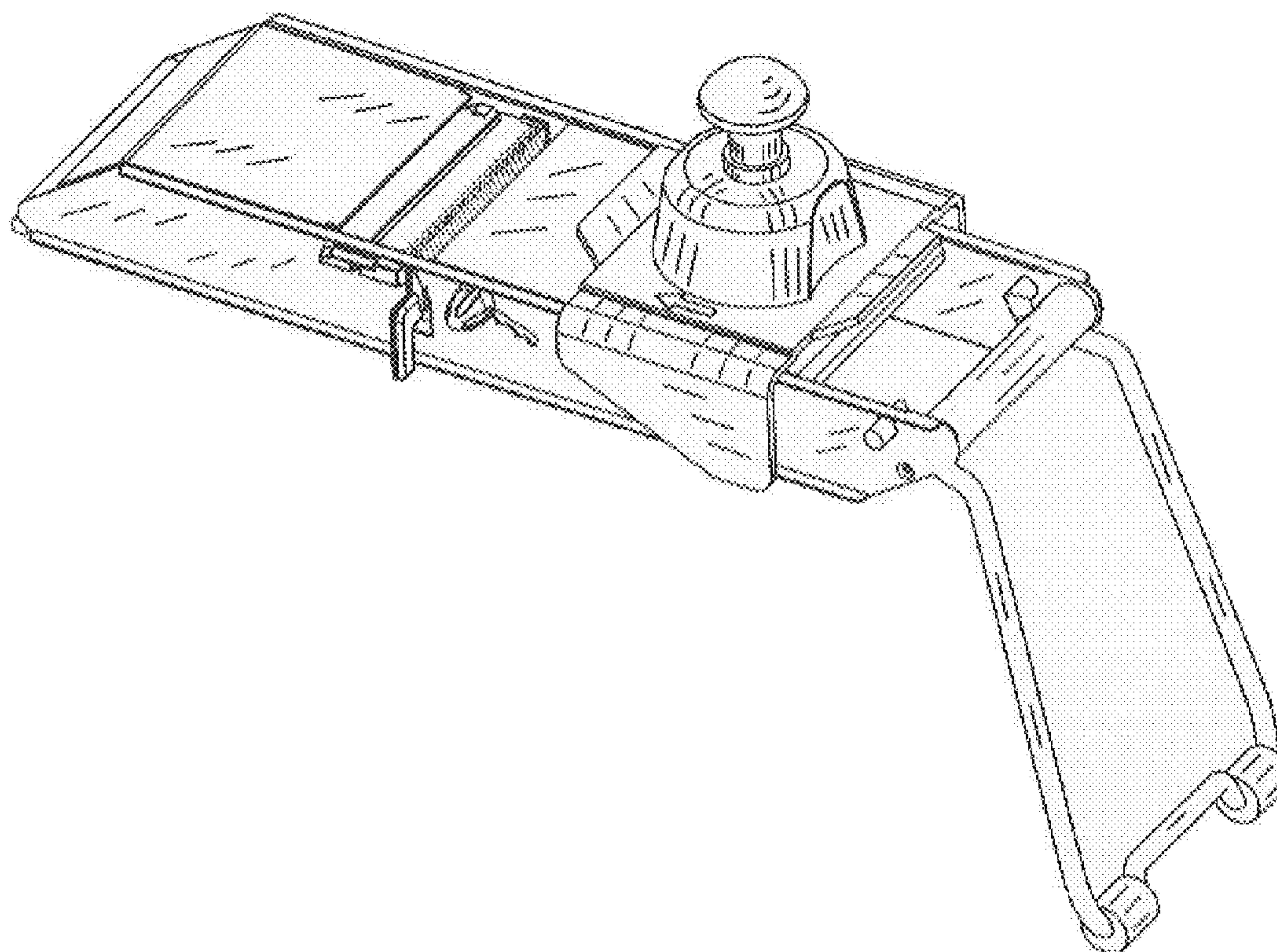
FIG. 5 is an opposite end elevation view thereof;

FIG. 6 is a bottom view thereof;

FIG. 7 is an upper perspective view thereof; and,

FIG. 8 is another opposite side elevation view thereof, showing a handle element in a rotated position.

1 Claim, 8 Drawing Sheets



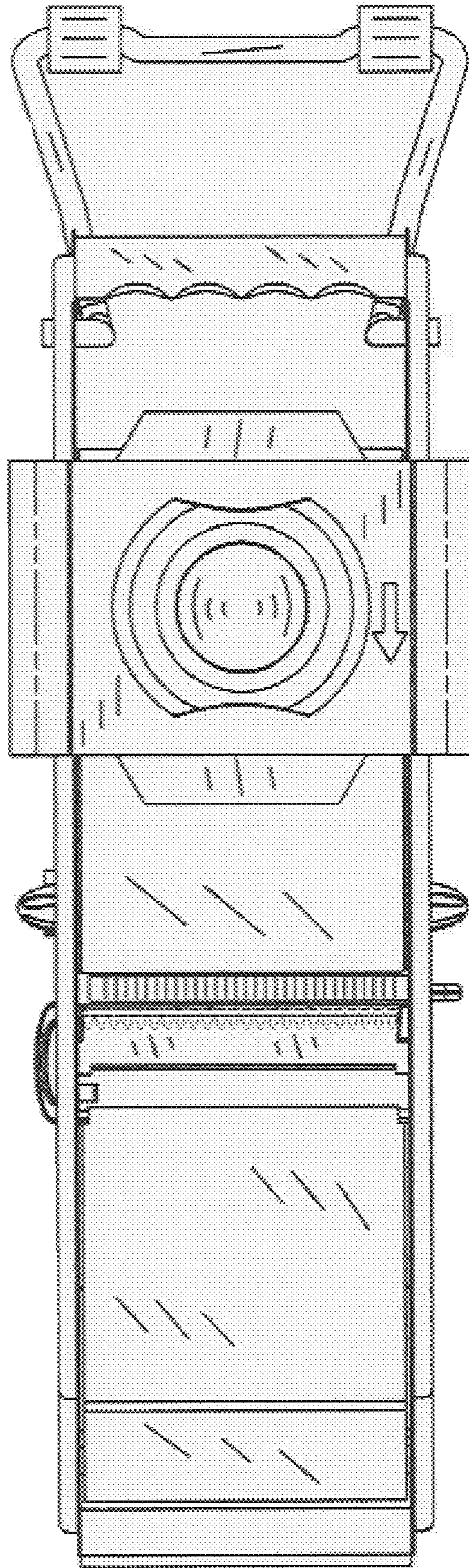


FIG. 1

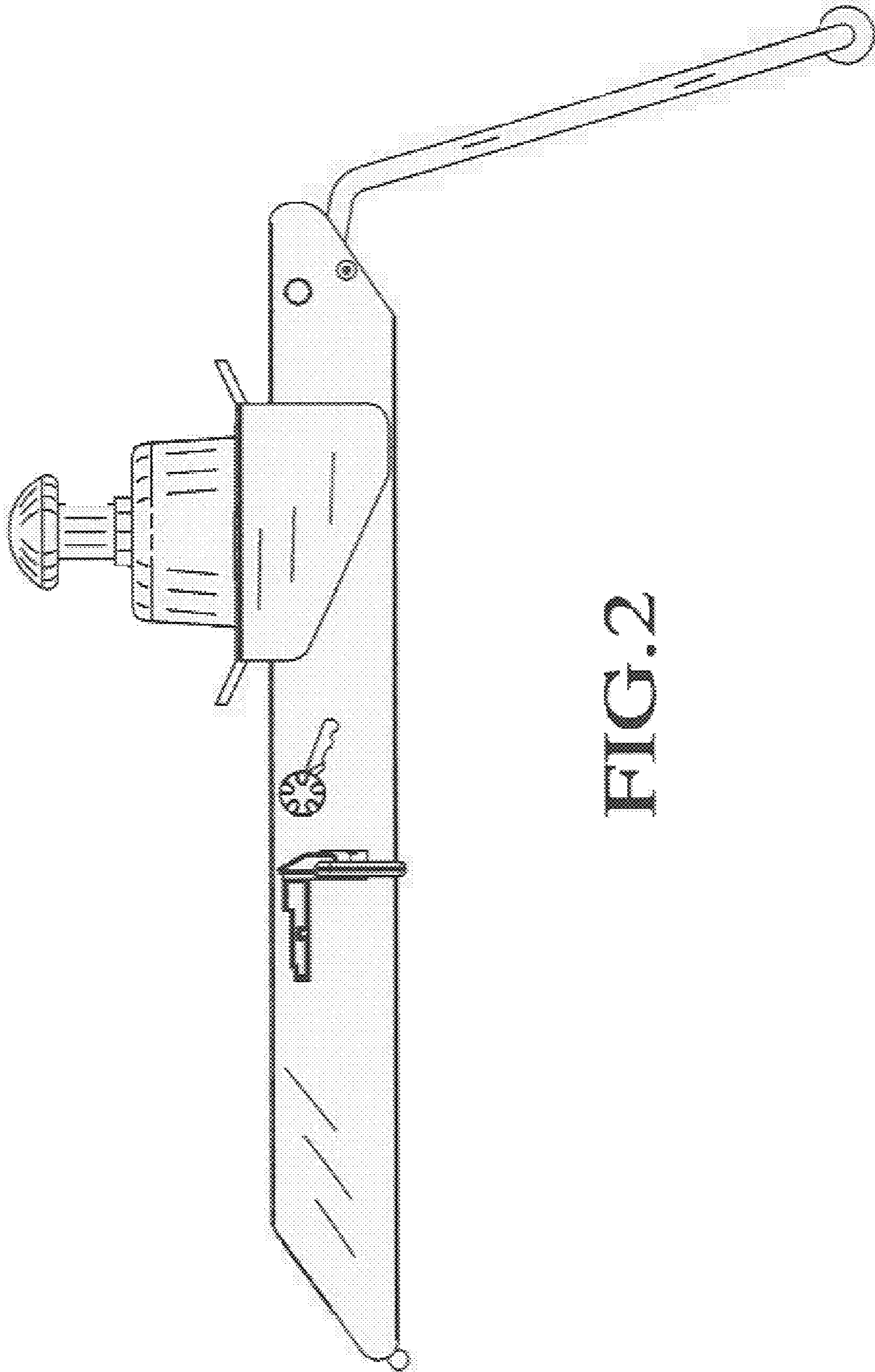


FIG. 2

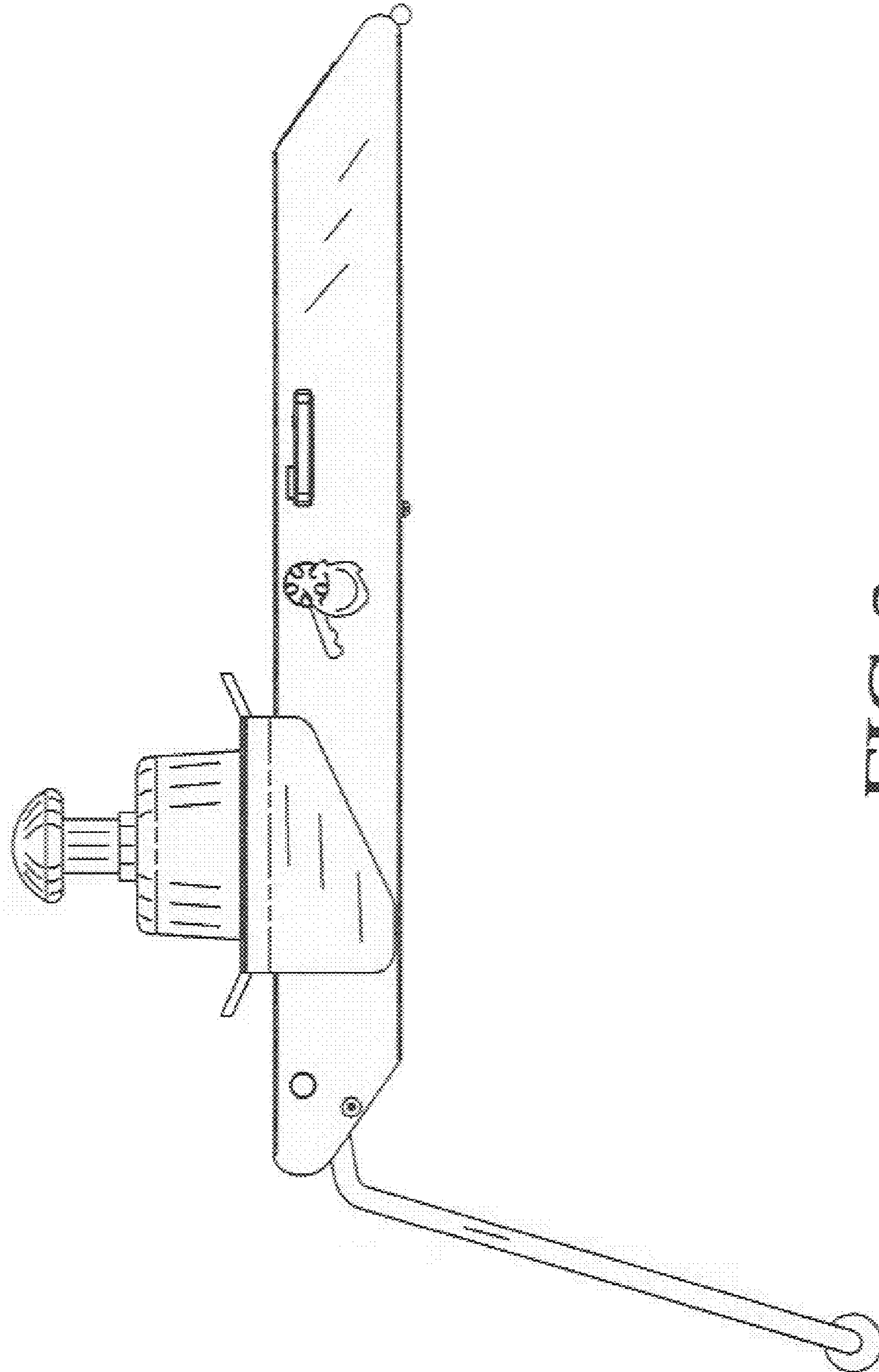


FIG. 3

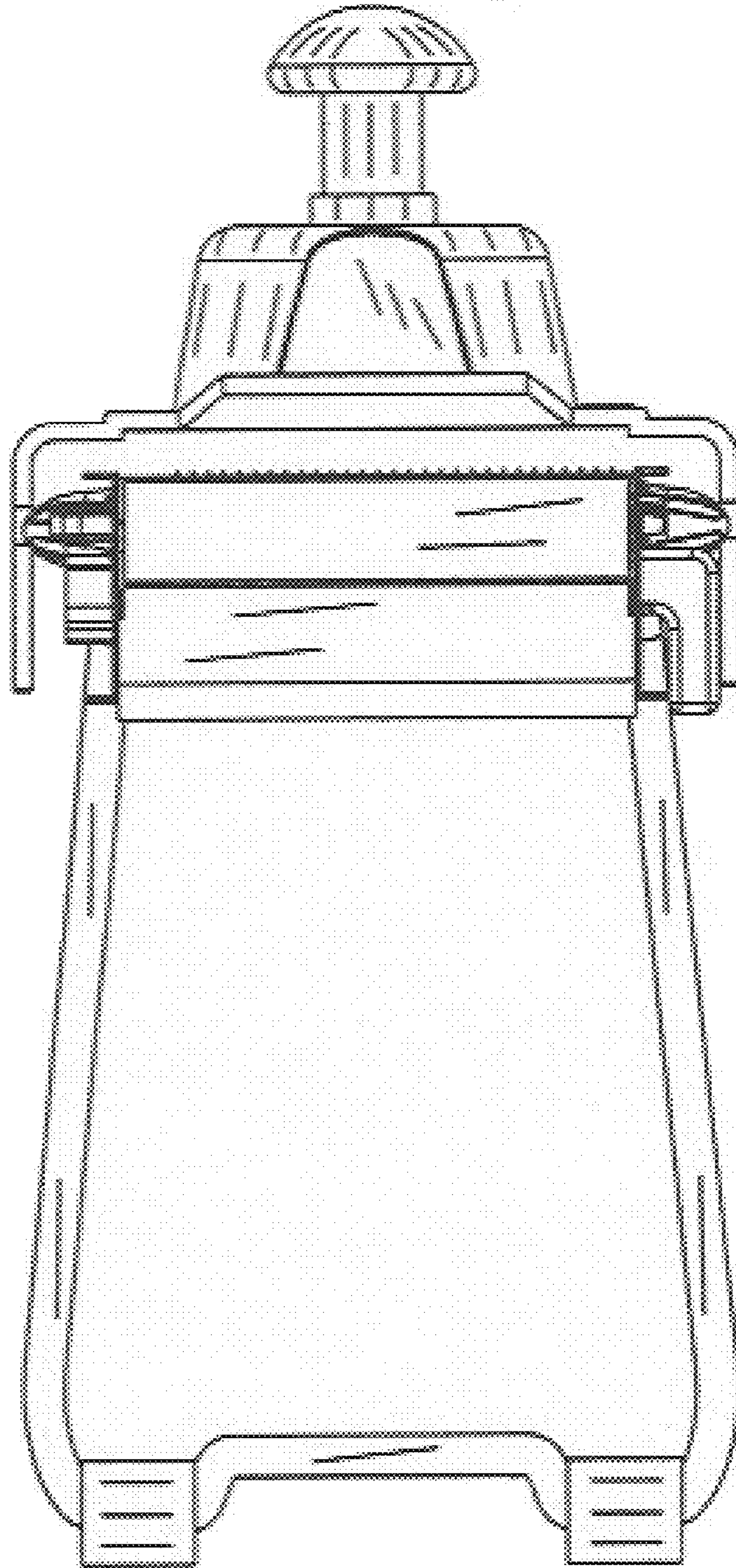


FIG. 4

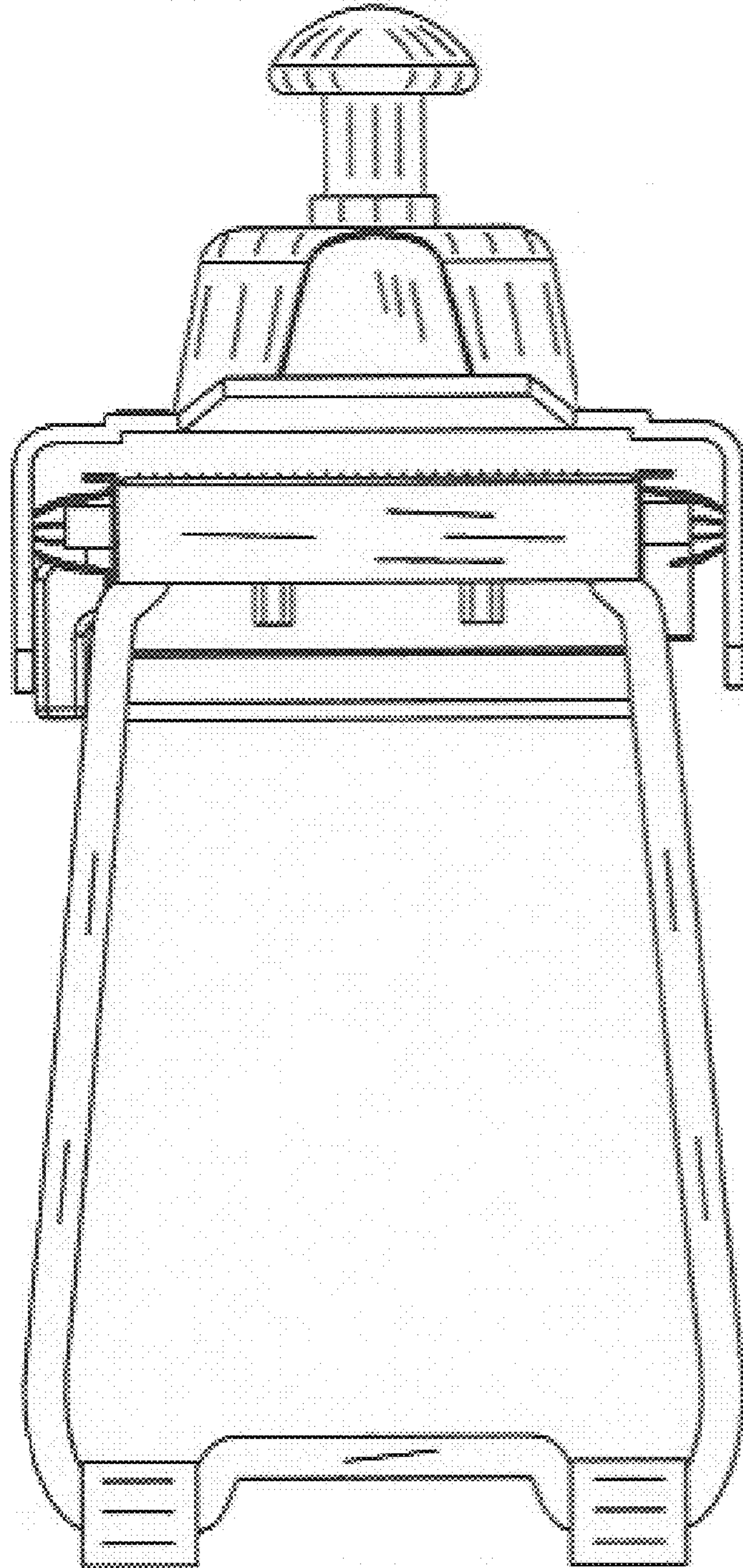


FIG. 5

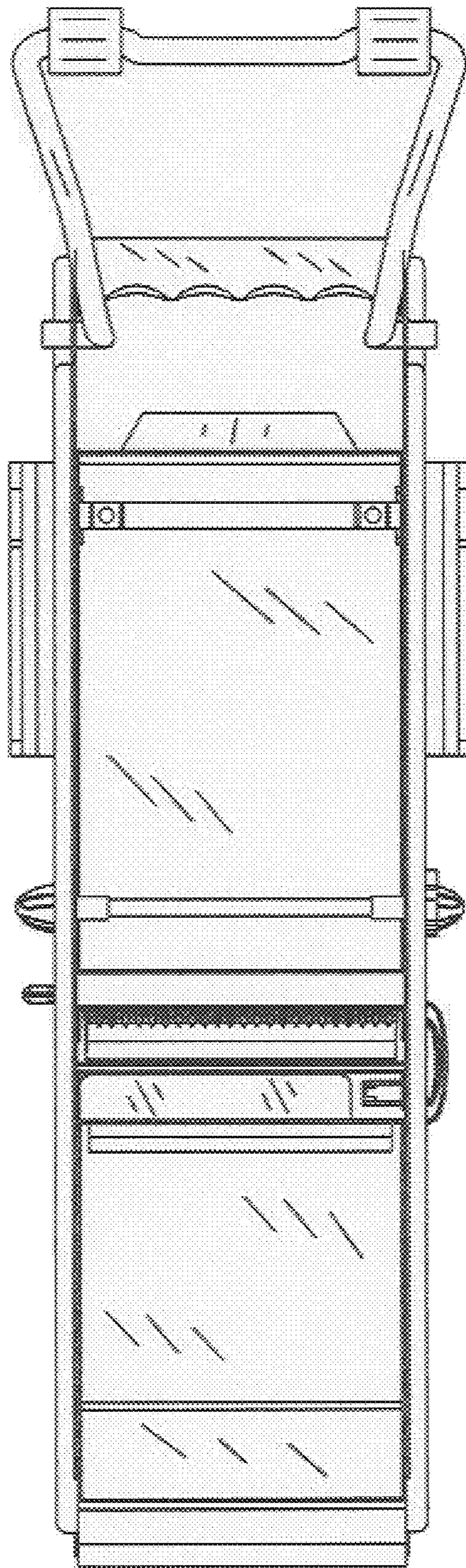


FIG. 6

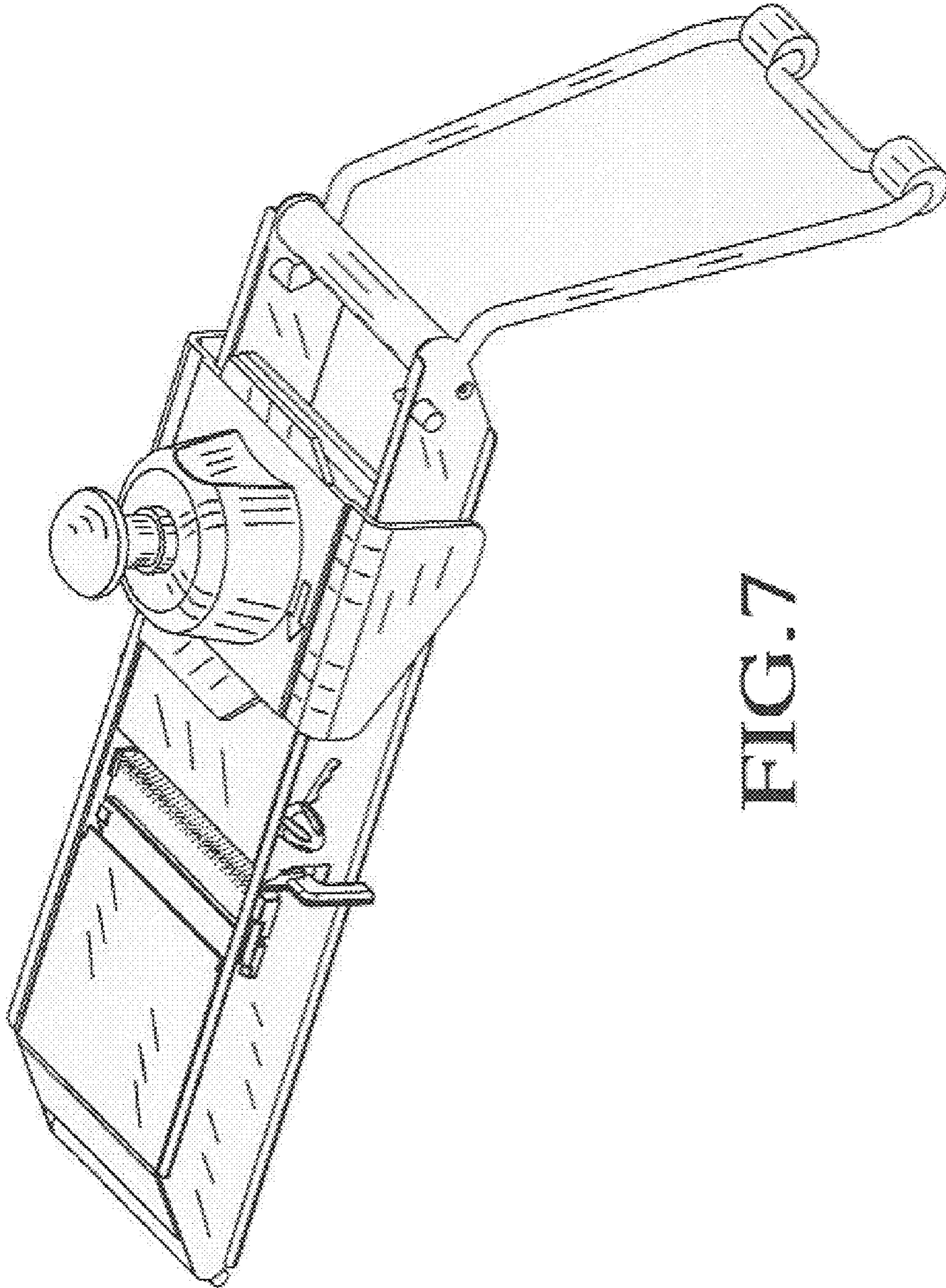


FIG. 7

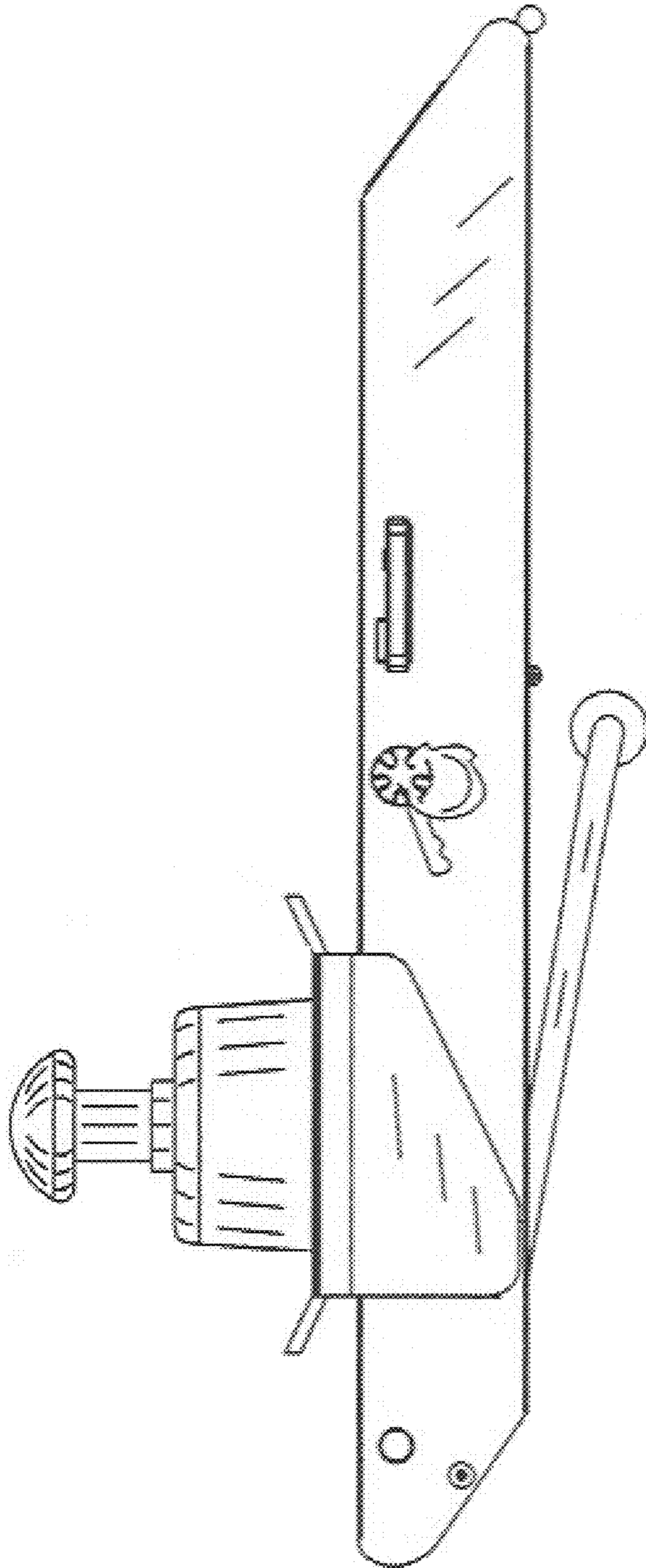


FIG. 8