

US00D548547S

(12) **United States Design Patent**  
**Kaposi**

(10) **Patent No.:** **US D548,547 S**

(45) **Date of Patent:** **\*\* Aug. 14, 2007**

(54) **SLICING TOOL BLADE TRAY**

(75) Inventor: **Sascha Kaposi**, Tacoma, WA (US)

(73) Assignee: **Progressive International Corporation**, Kent, WA (US)

(\*\*) Term: **14 Years**

(21) Appl. No.: **29/248,479**

(22) Filed: **Aug. 17, 2006**

(51) **LOC (8) Cl.** ..... **07-04**

(52) **U.S. Cl.** ..... **D7/672**

(58) **Field of Classification Search** ..... D7/672-675,  
D7/678, 693, 381-385; 30/114-117, 303,  
30/304; 241/95, 168, 169, 100, 273.1; 83/857,  
83/932, 597, 167, 662, 663; 99/538, 545  
See application file for complete search history.

(56) **References Cited**

**U.S. PATENT DOCUMENTS**

4,212,431	A	7/1980	Doyel	
4,805,843	A *	2/1989	Draper	241/287
D331,687	S *	12/1992	Pujol Gilbert	D7/678
5,692,424	A	12/1997	Wallace	
D447,391	S *	9/2001	Bodum	D7/678
6,805,032	B2	10/2004	Engdahl	
D499,615	S	12/2004	Nordgren	
D519,001	S *	4/2006	So	D7/678
2004/0055437	A1	3/2004	Engdahl	

\* cited by examiner

*Primary Examiner*—Terry A. Wallace

(74) *Attorney, Agent, or Firm*—Black Lowe & Graham, PLLC

(57) **CLAIM**

I claim the ornamental design for the slicing tool blade tray, as shown and described.

**DESCRIPTION**

FIG. 1 is a front view of the slicing tool blade tray;

FIG. 2 is a top view of the slicing tool blade tray;

FIG. 3 is a right side view of the slicing tool blade tray;

FIG. 4 is a bottom view of the slicing tool blade tray;

FIG. 5 is a back view of the slicing tool blade tray;

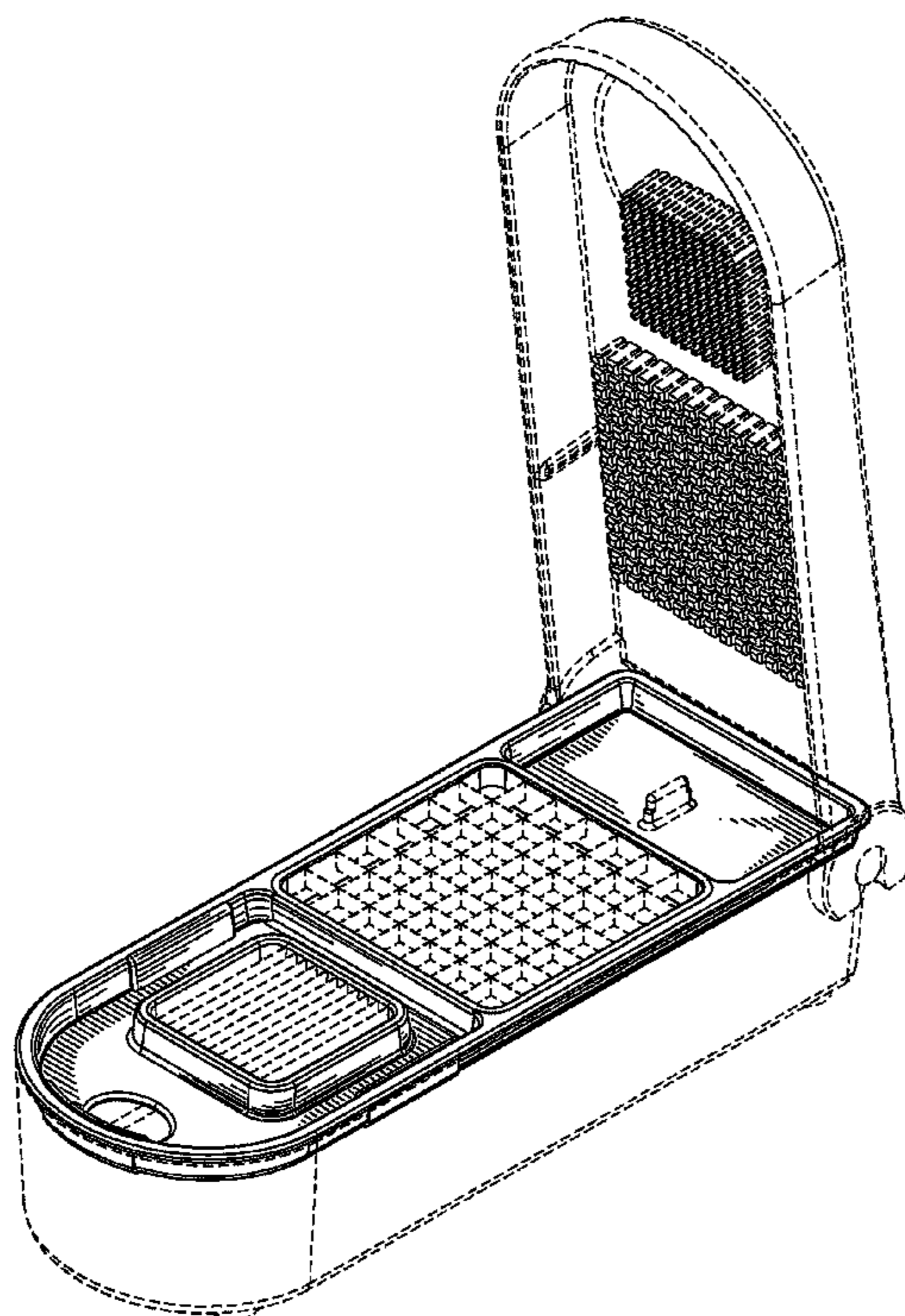
FIG. 6 is a left side view of the slicing tool blade tray;

FIG. 7 is a perspective view of the slicing tool blade tray; and,

FIG. 8 is a perspective view of the slicing tool blade tray, configured within a slicing tool reservoir having a lid in an open position.

The blades in FIGS. 1, 5, 7, and 8 are shown in phantom, with the particular arrangement of the blades forming no part of the invention. The slicing tool, including its lid and reservoir, are shown in phantom in FIG. 8, and forms no part of the invention. A vertical element, visible in phantom in FIGS. 1, 7, and 8, is shown in phantom and forms no part of the invention.

**1 Claim, 4 Drawing Sheets**



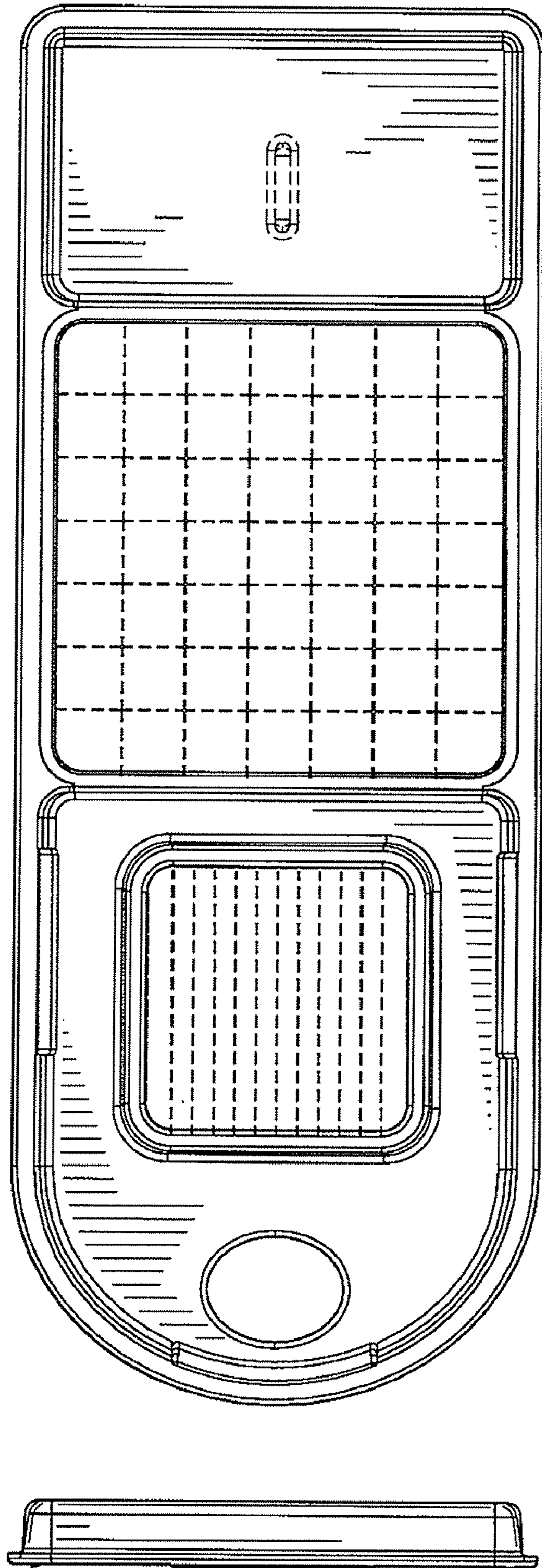


FIG.1

FIG.3



FIG.2

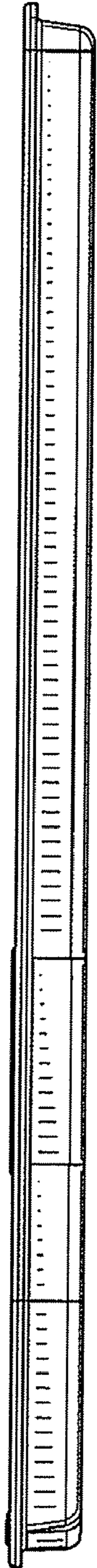


FIG. 4

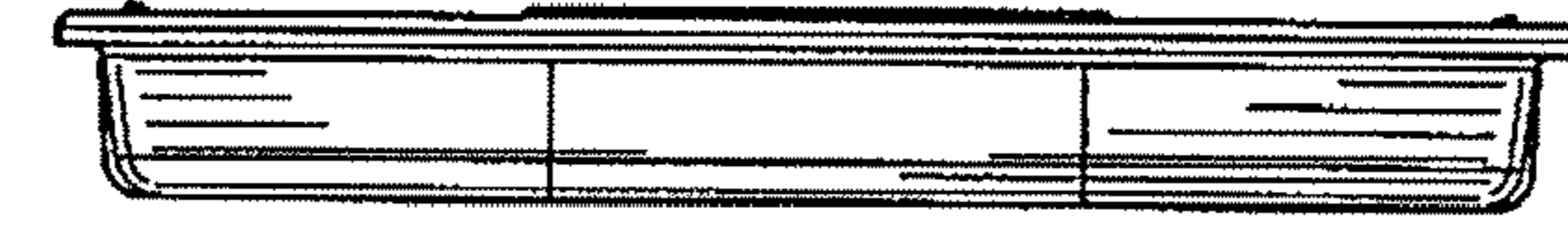


FIG. 6

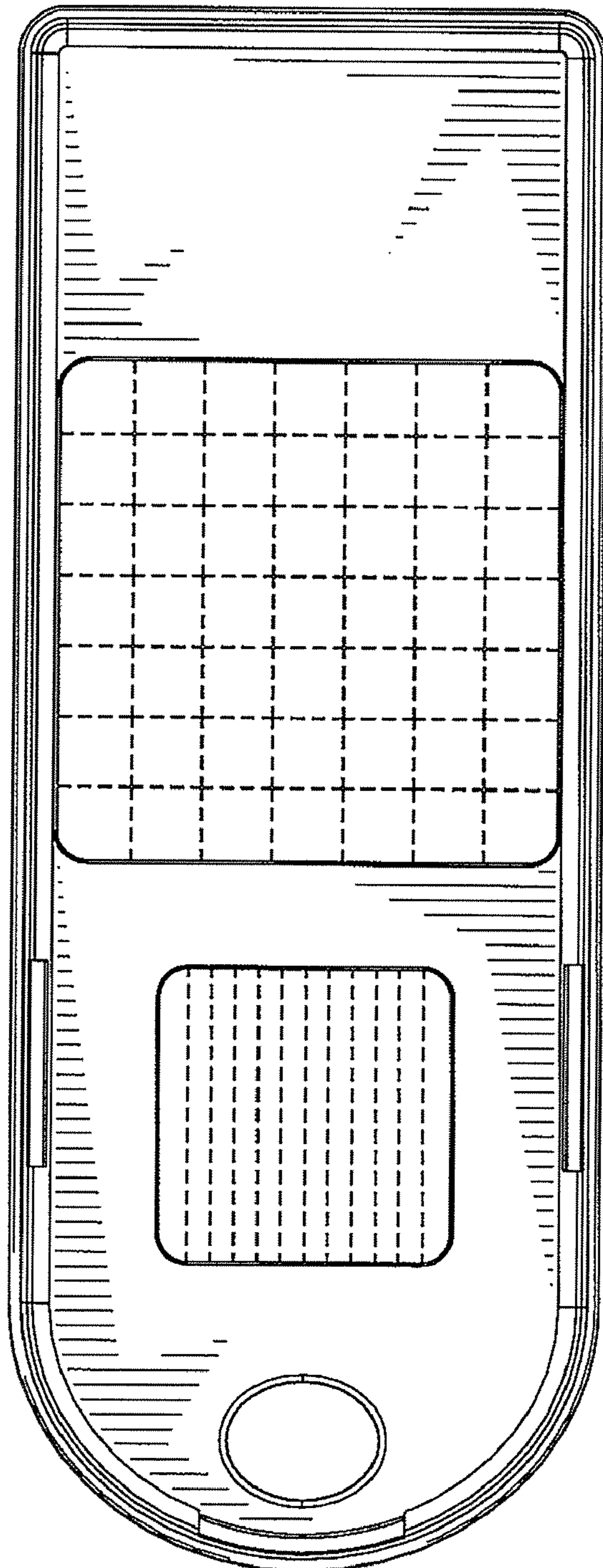


FIG. 5

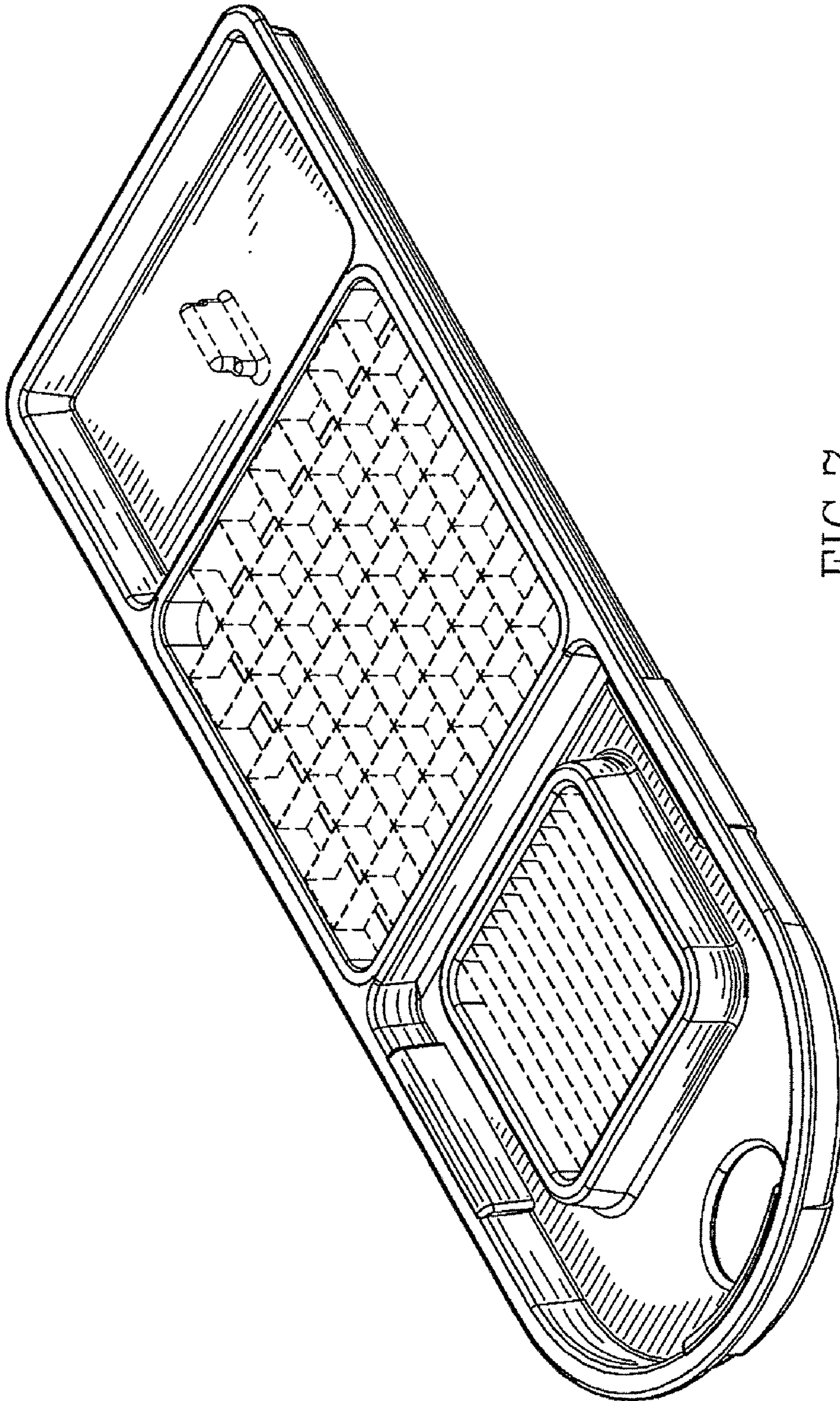


FIG. 7

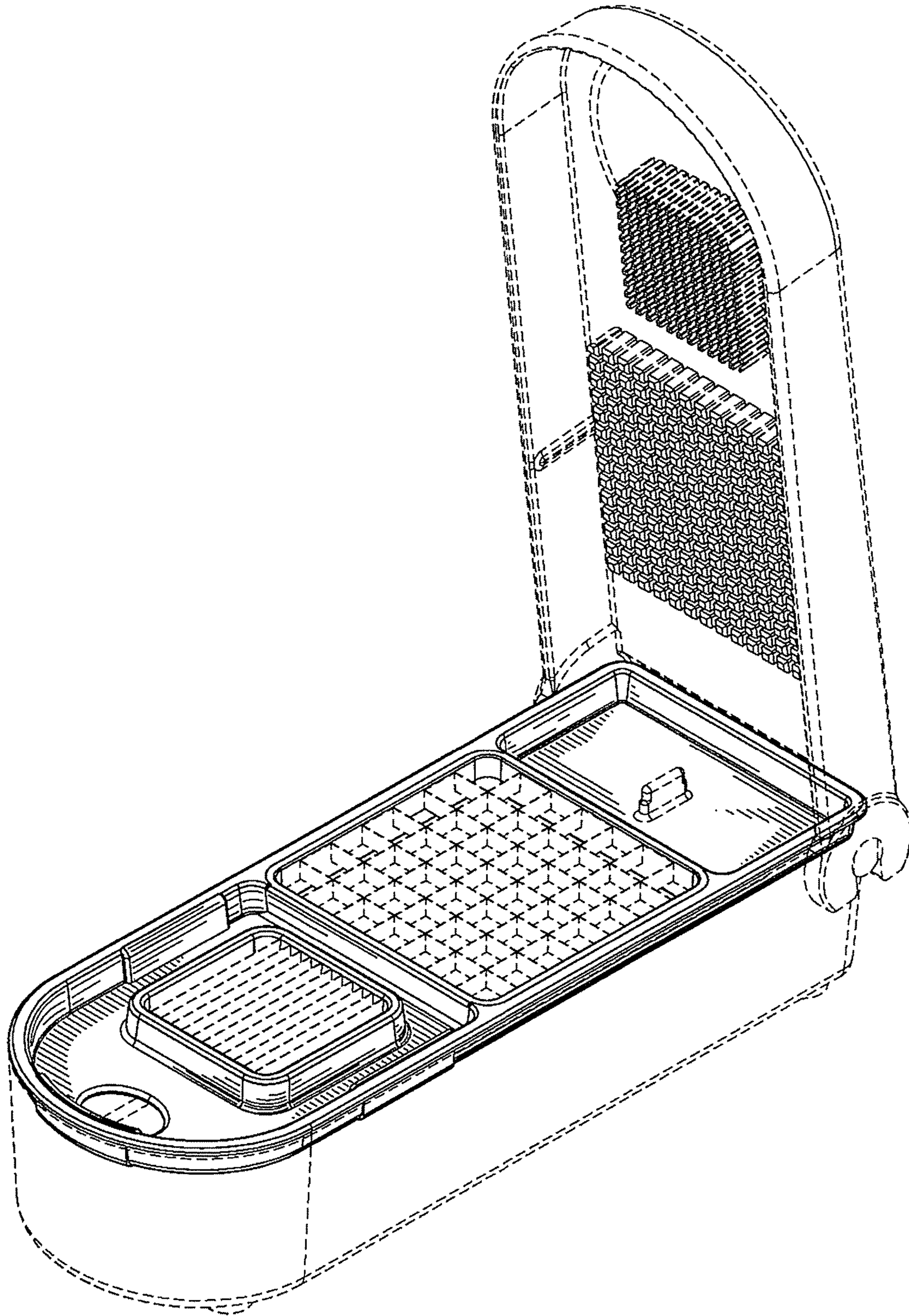


FIG. 8