



US00D548539S

(12) **United States Design Patent**
Yang et al.

(10) **Patent No.:** **US D548,539 S**

(45) **Date of Patent:** **** Aug. 14, 2007**

(54) **NAPKIN HOLDER**

5,201,428 A * 4/1993 Pasinski et al. 211/50
D495,214 S * 8/2004 Joseph D7/631

(75) Inventors: **Frank Yang**, Rancho Palos Verdes, CA (US); **Tzu-Hao Wei**, Hacienda Heights, CA (US); **Di-Fong Chang**, Torrance, CA (US)

* cited by examiner

Primary Examiner—Terry A. Wallace
(74) *Attorney, Agent, or Firm*—Liu & Liu

(73) Assignee: **Simplehuman LLC**, Torrance, CA (US)

(57) **CLAIM**

(**) Term: **14 Years**

The ornamental design for the napkin holder, as shown and described.

(21) Appl. No.: **29/268,722**

(22) Filed: **Nov. 9, 2006**

DESCRIPTION

(51) **LOC (8) Cl.** **07-06**

FIG. 1 is a right perspective view of a napkin holder showing our new design;

(52) **U.S. Cl.** **D7/631**

FIG. 2 is a right side view thereof, the side opposite being a mirror image thereof;

(58) **Field of Classification Search** D7/631-634;
211/13.1, 45, 49.1, 50, 51, 59.2; 221/33;
D19/75, 77, 78, 85, 86, 90, 91

FIG. 3 is a top plan view thereof;

See application file for complete search history.

FIG. 4 is a bottom plan view thereof;

FIG. 5 is a rear view thereof; and,

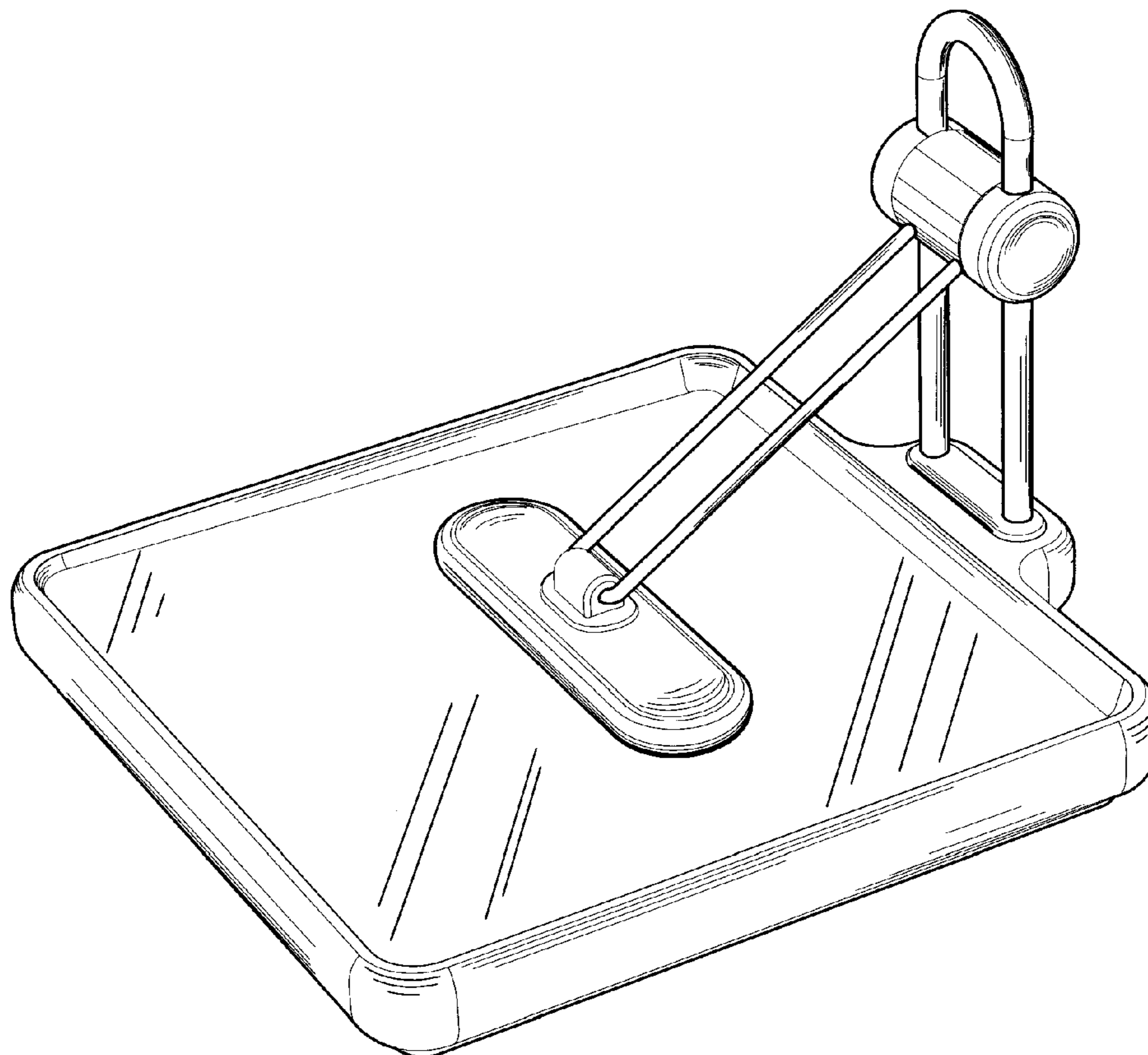
FIG. 6 is a front view thereof.

(56) **References Cited**

U.S. PATENT DOCUMENTS

3,878,966 A * 4/1975 Haboush 221/33

1 Claim, 6 Drawing Sheets



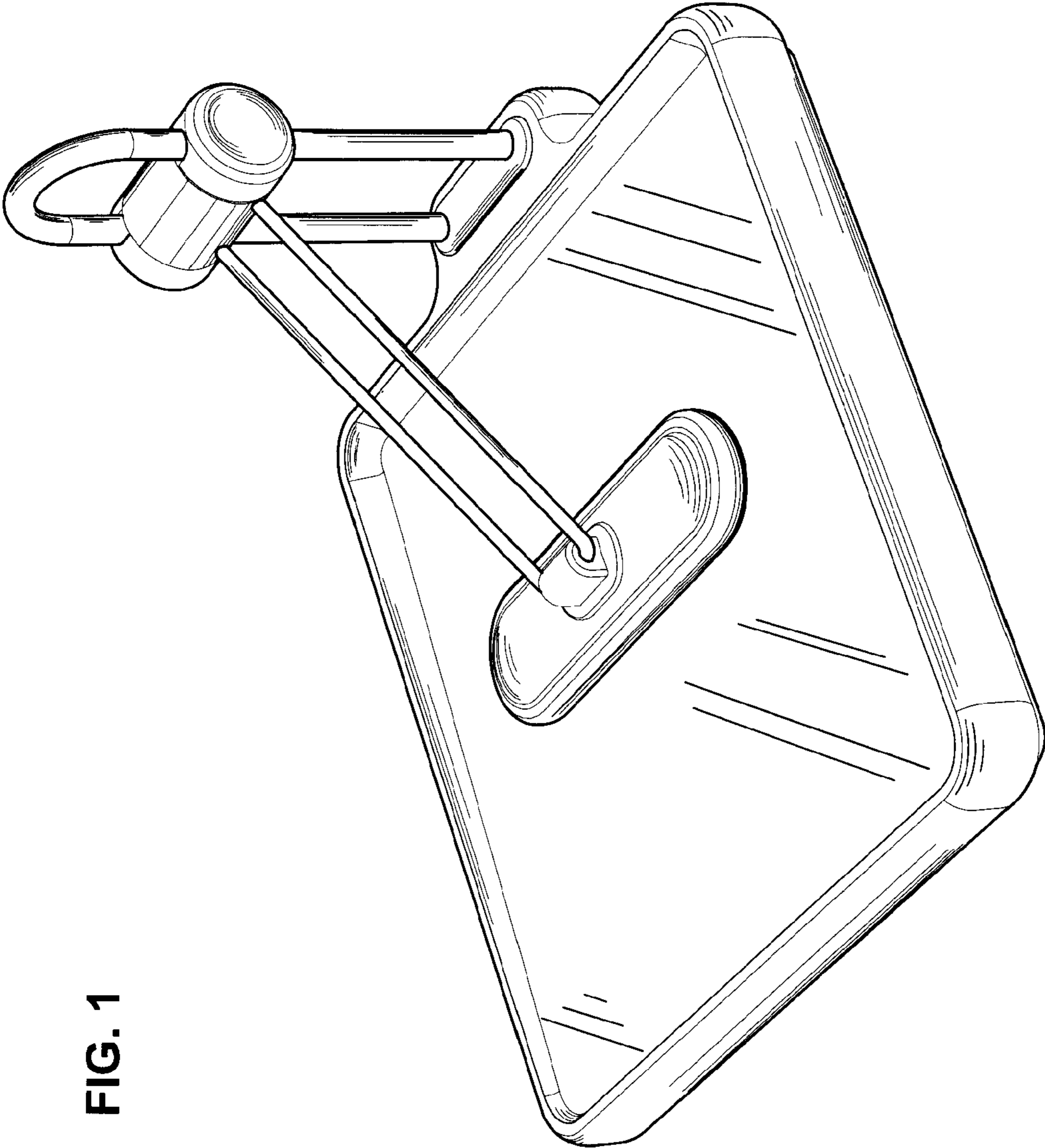


FIG. 1

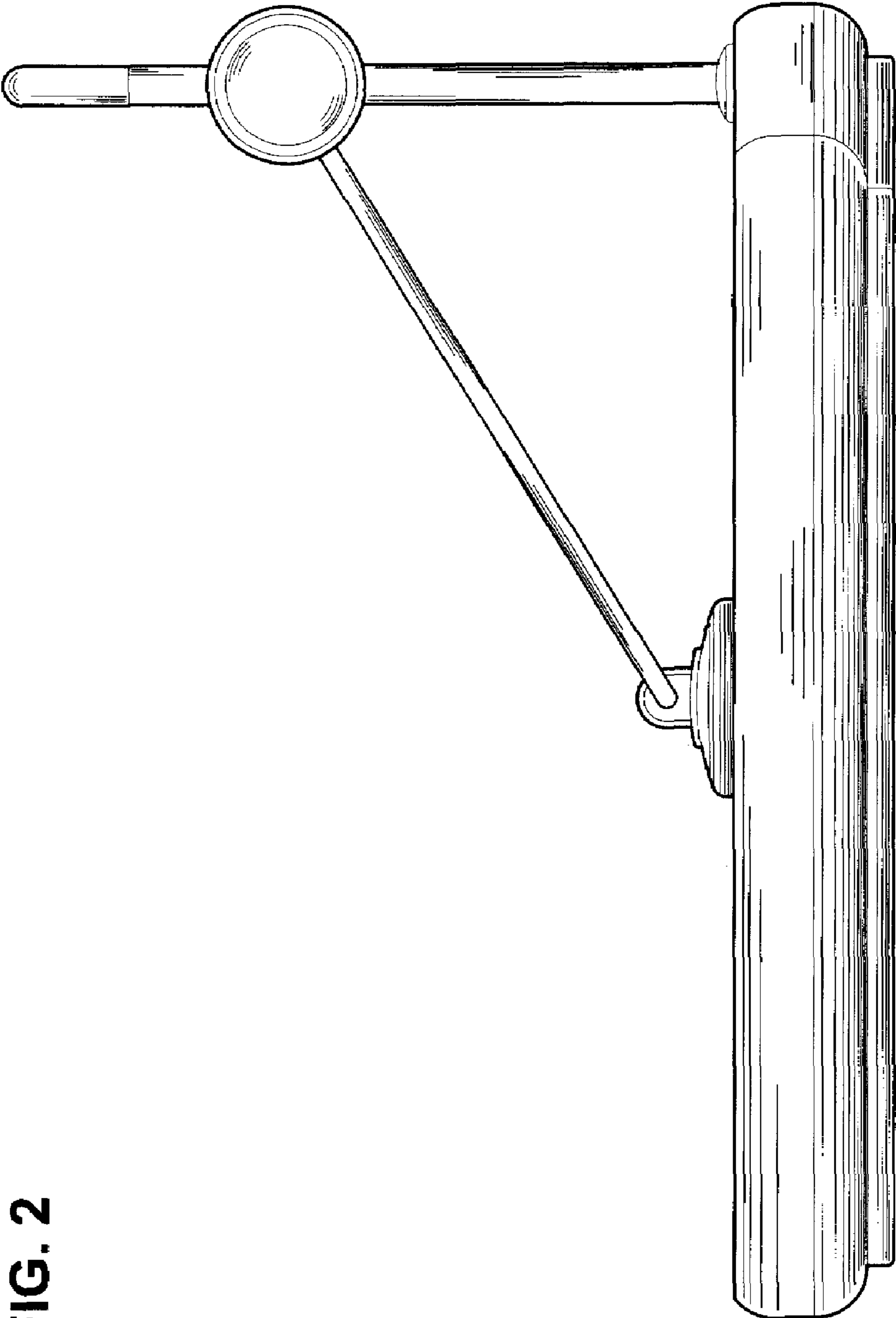


FIG. 2

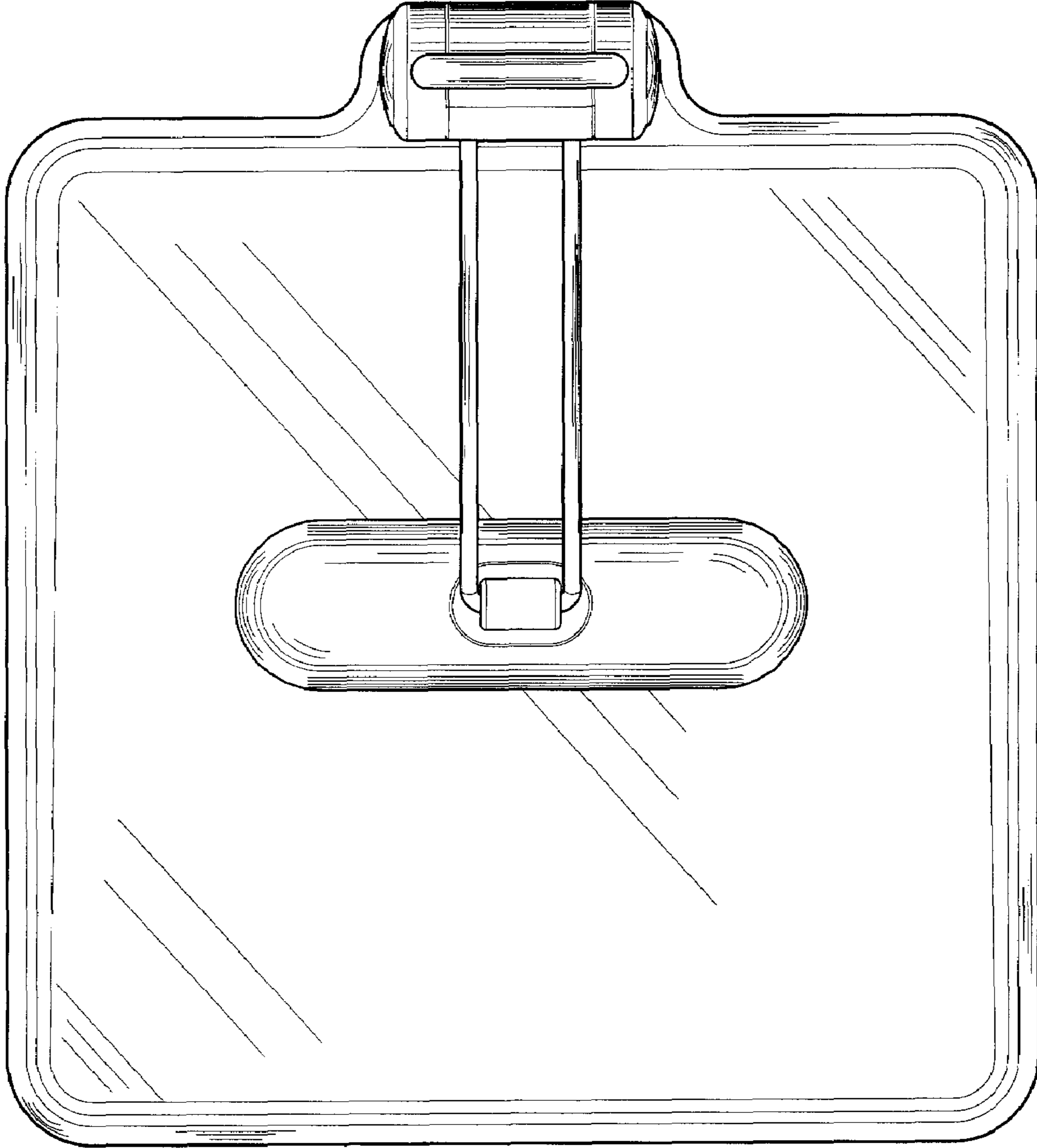


FIG. 3

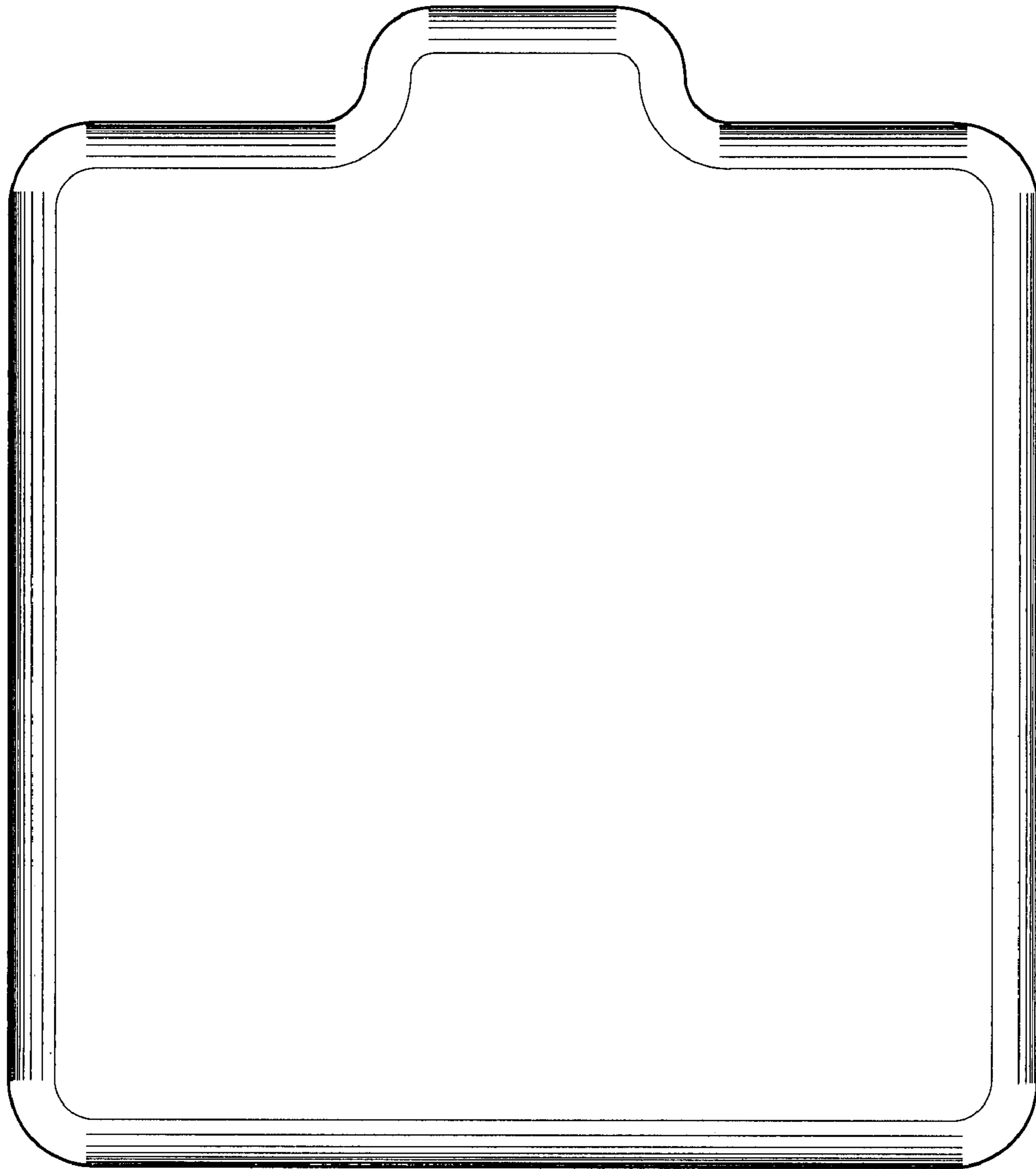


FIG. 4

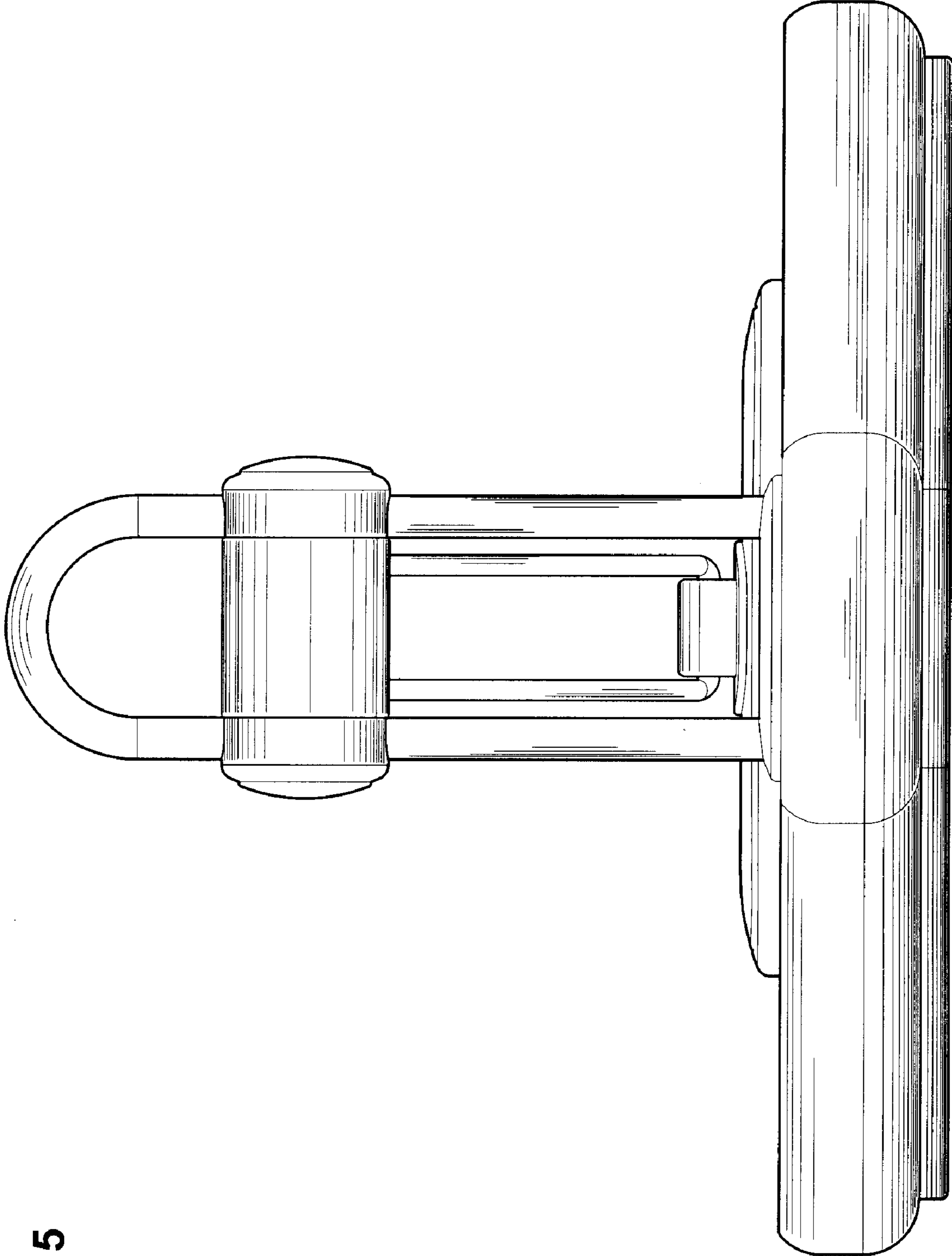


FIG. 5

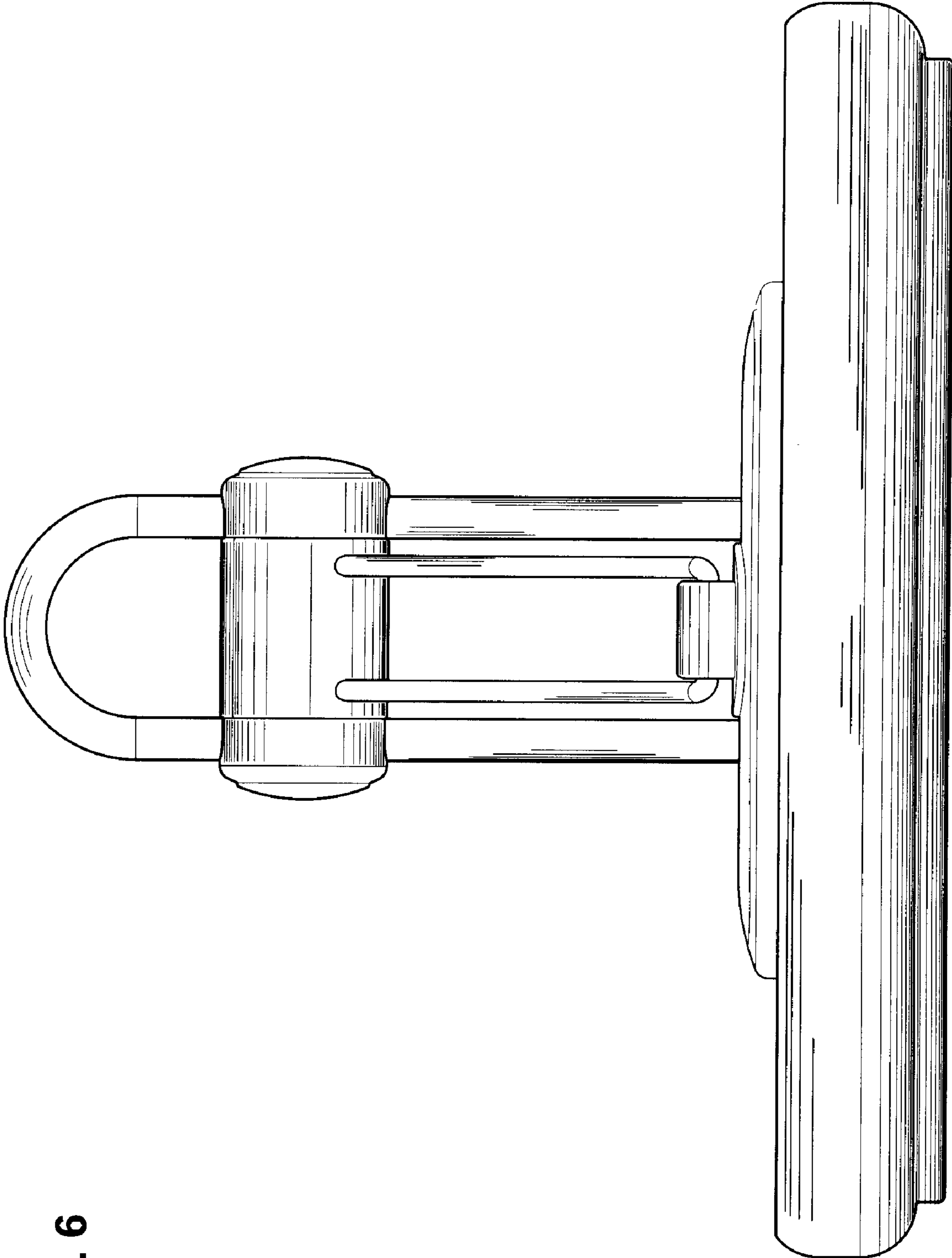


FIG. 6