



US00D548537S

(12) **United States Design Patent**
Liu

(10) **Patent No.:** **US D548,537 S**

(45) **Date of Patent:** **** Aug. 14, 2007**

(54) **COVERED FOOD CONTAINER**

(75) Inventor: **Anita Suk Ping Liu**, Orlando, FL (US)

(73) Assignee: **Dart Industries Inc.**, Orlando, FL (US)

(**) Term: **14 Years**

(21) Appl. No.: **29/256,809**

(22) Filed: **Mar. 24, 2006**

(51) **LOC (8) Cl.** **07-07**

(52) **U.S. Cl.** **D7/629**; D9/432

(58) **Field of Classification Search** D7/602,
D7/629, 628, 538-542, 612-615; D9/424-432;
229/902-906; 220/4.21, 360, 366, 574, 780-806,
220/912, 913; D21/499, 500
See application file for complete search history.

(56) **References Cited**

U.S. PATENT DOCUMENTS

D280,964 S * 10/1985 Wolff D7/629
4,545,487 A * 10/1985 Asmus 220/4.21
D333,978 S * 3/1993 Zutler D9/424

D356,255 S * 3/1995 Syrek D9/424

D367,609 S * 3/1996 Frank et al. D9/425

D482,928 S 12/2003 Liu

D482,934 S 12/2003 Liu

D483,232 S 12/2003 Liu

* cited by examiner

Primary Examiner—Terry A. Wallace

(74) *Attorney, Agent, or Firm*—John A. Doninger

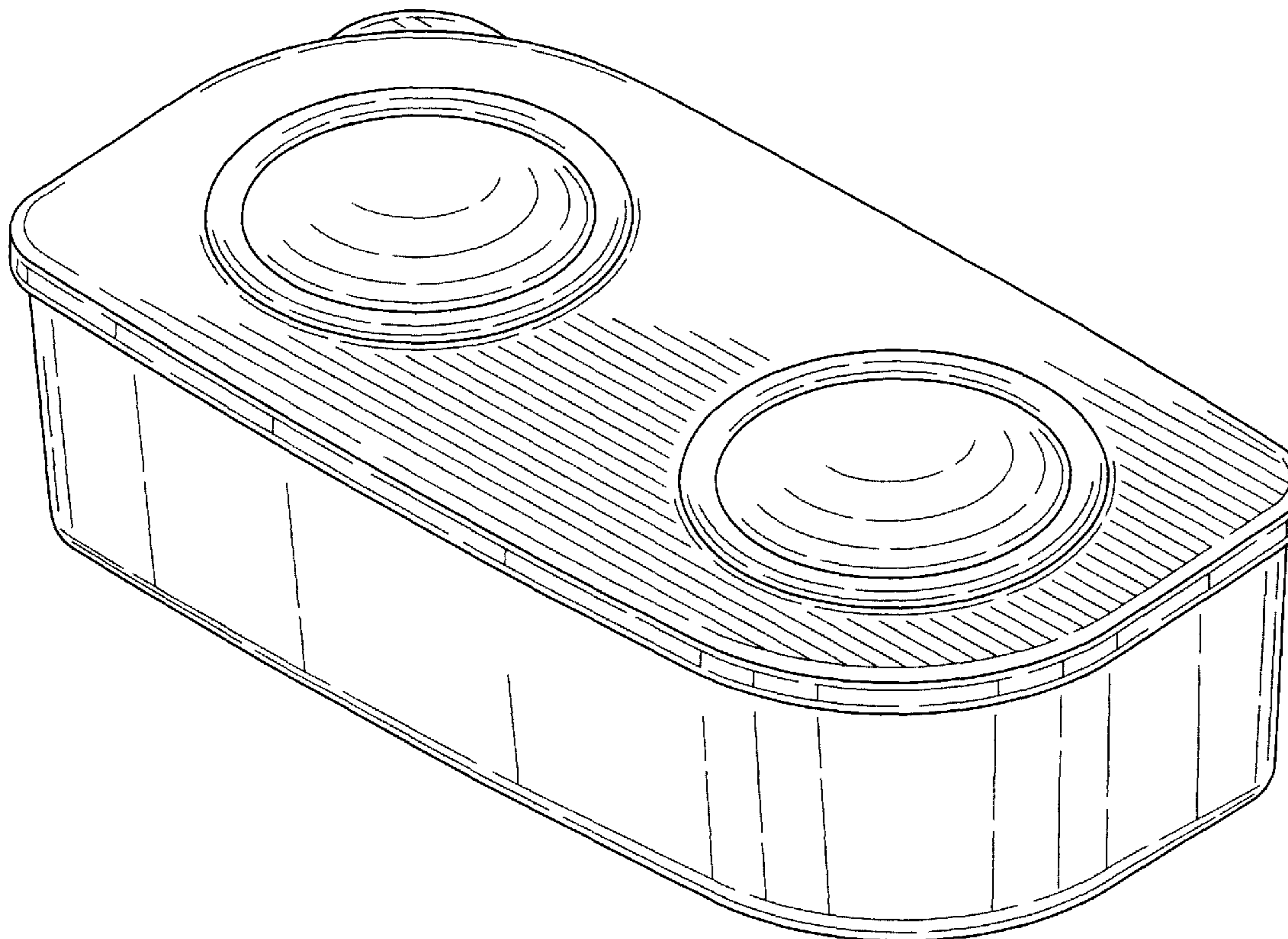
(57) **CLAIM**

The ornamental design for a covered food container, as shown and described.

DESCRIPTION

FIG. 1 is a top, right side and front perspective view of a covered food container showing the new design; FIG. 2 is a front elevation view thereof; FIG. 3 is a rear elevation view thereof; FIG. 4 is a right side elevation view thereof; FIG. 5 is a left side elevation view thereof; FIG. 6 is a top plan view thereof; and, FIG. 7 is a bottom plan view thereof.

1 Claim, 3 Drawing Sheets



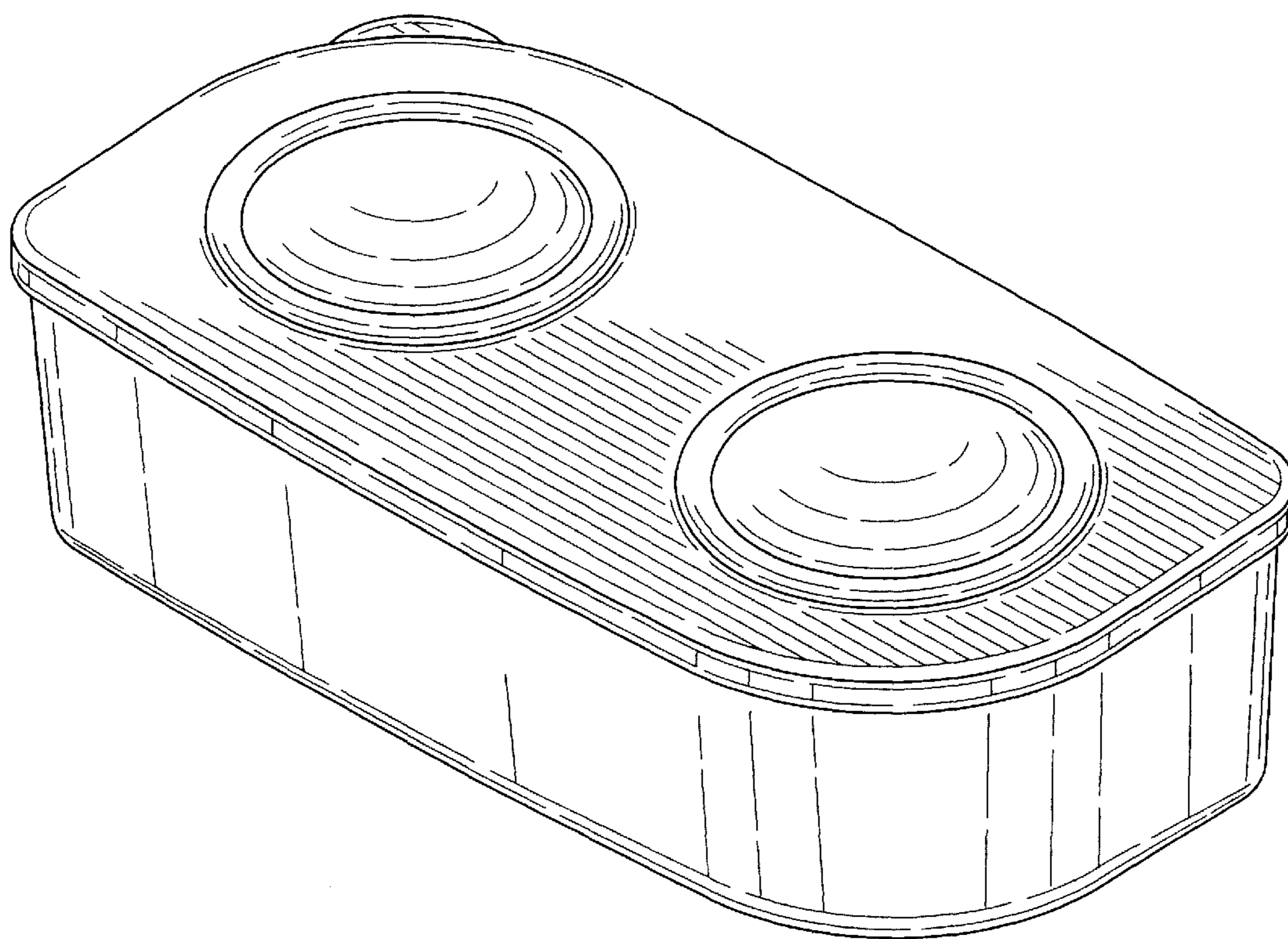


FIG. 1

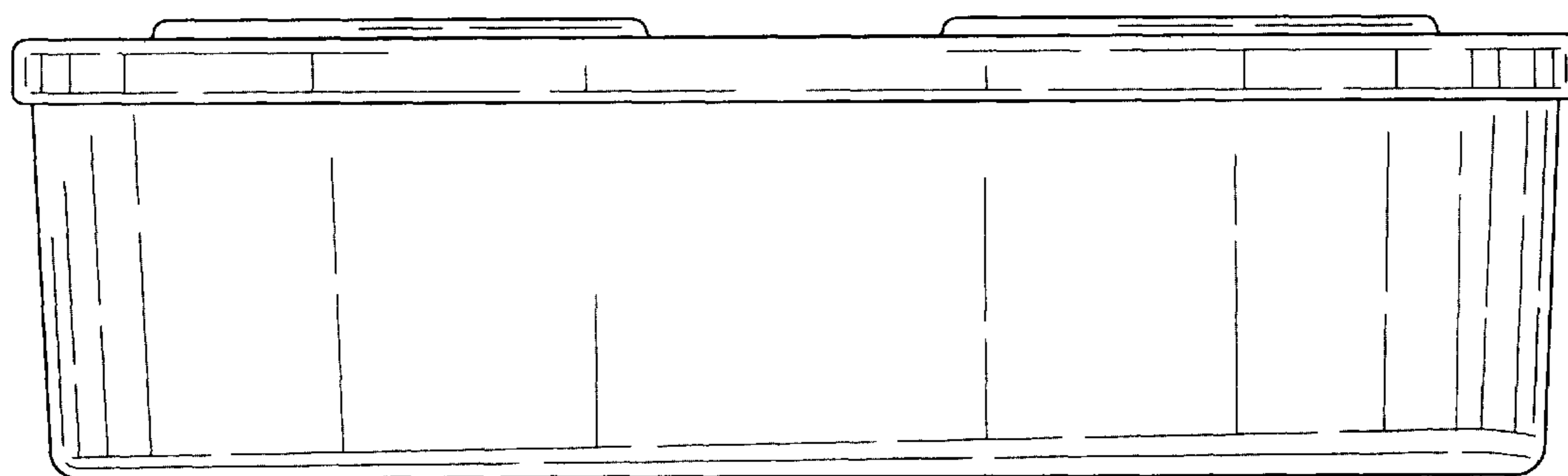


FIG. 2

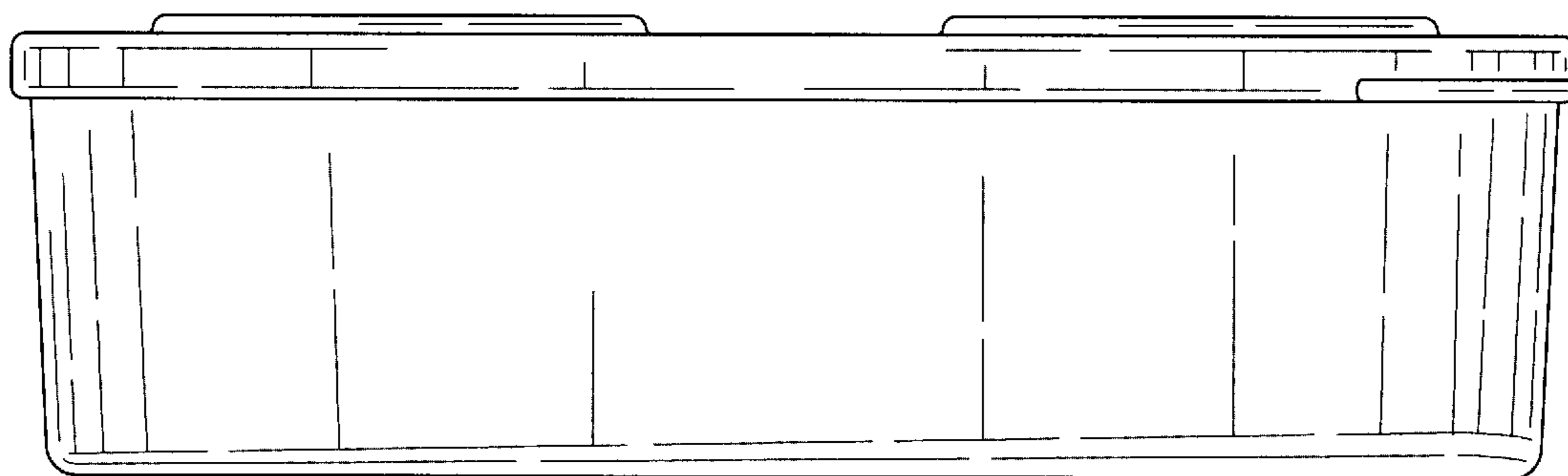


FIG. 3

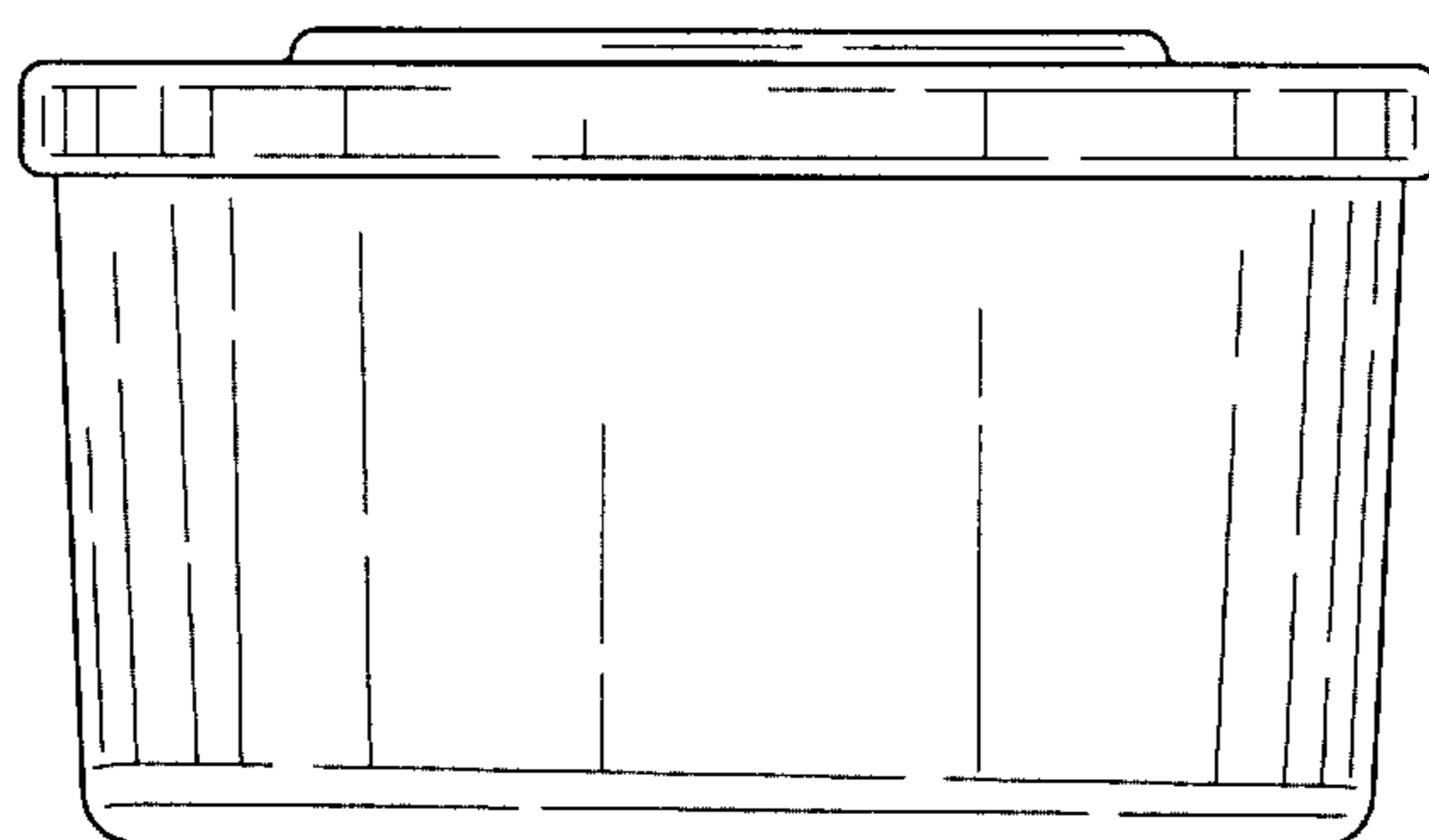


FIG. 4

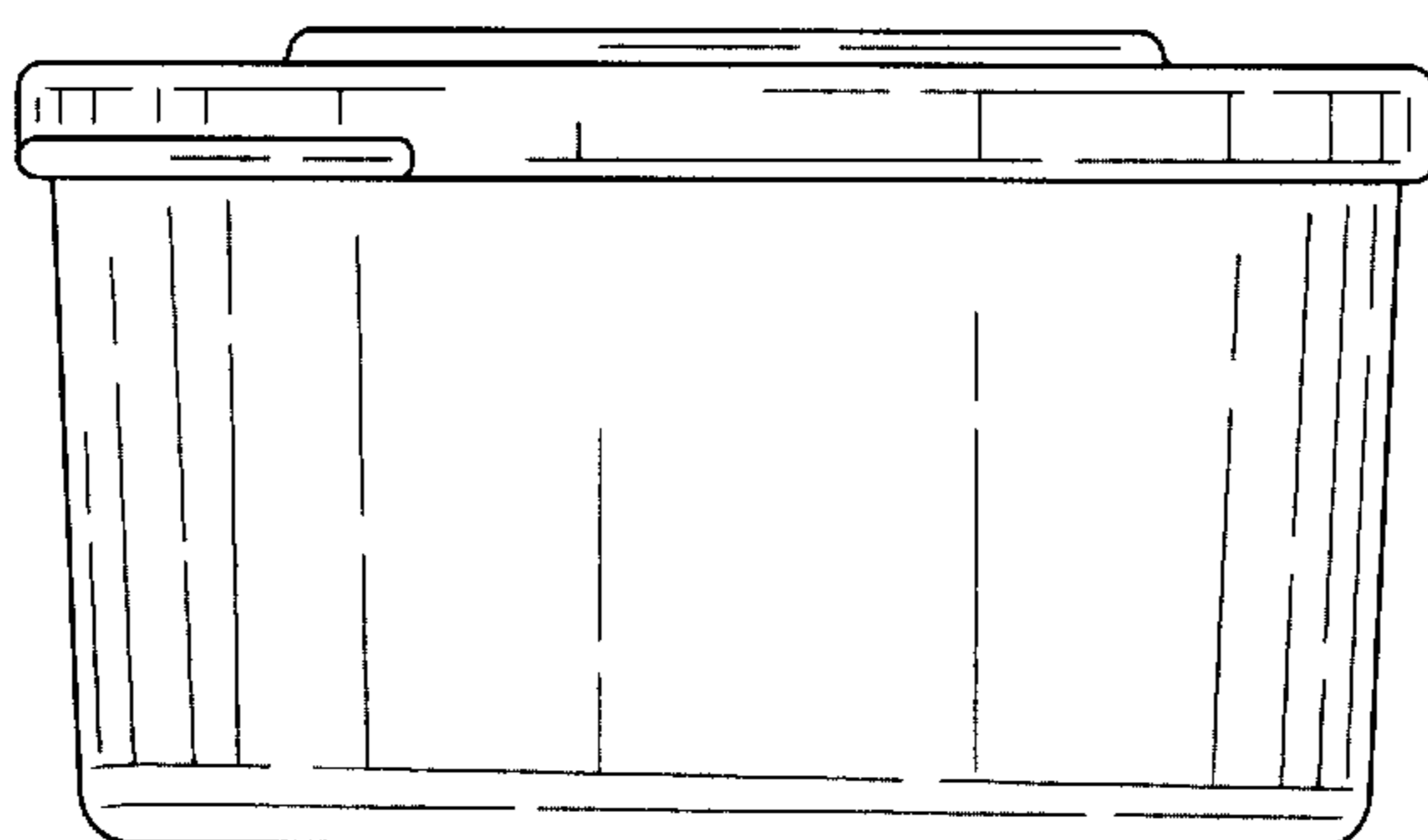


FIG. 5

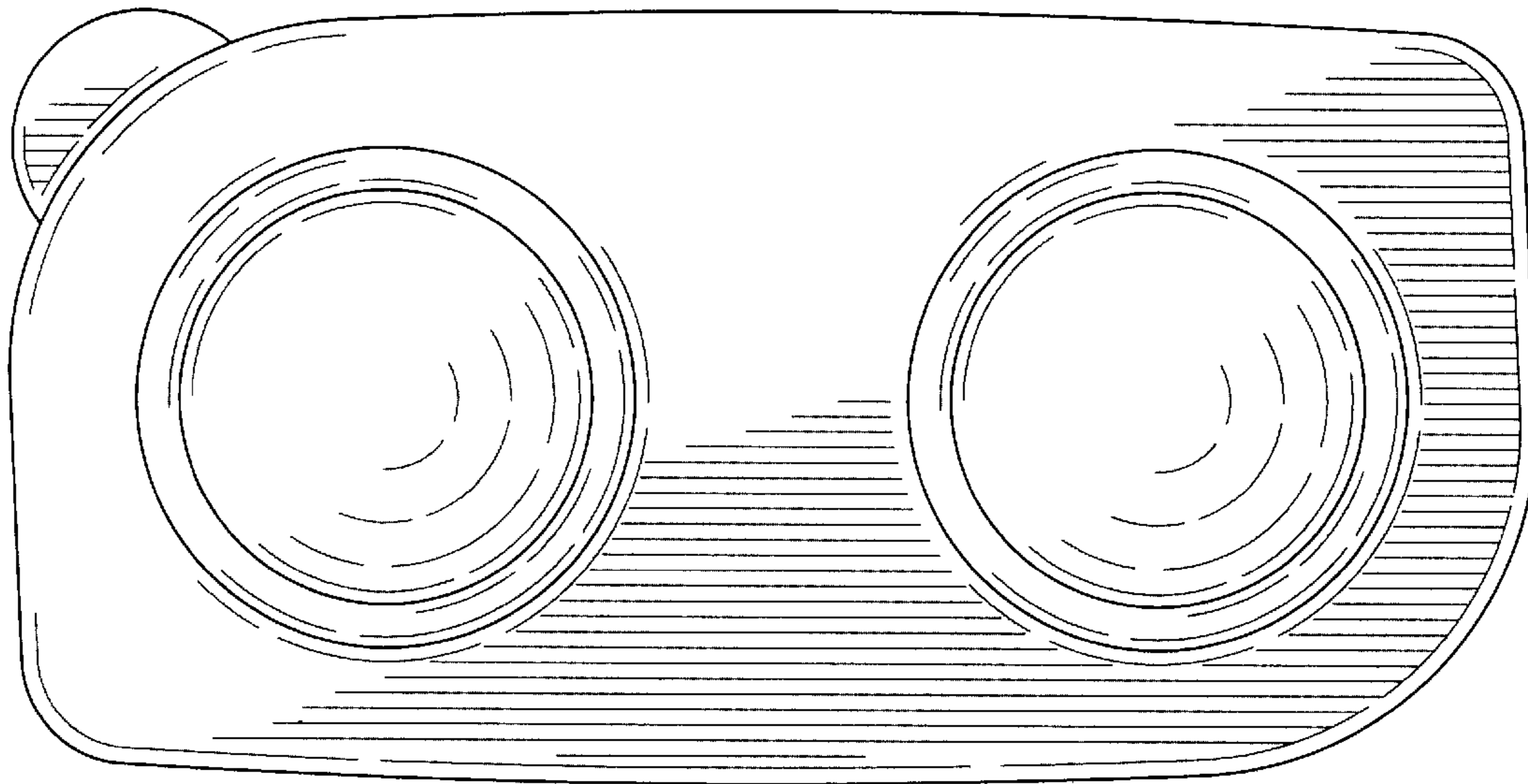


FIG. 6

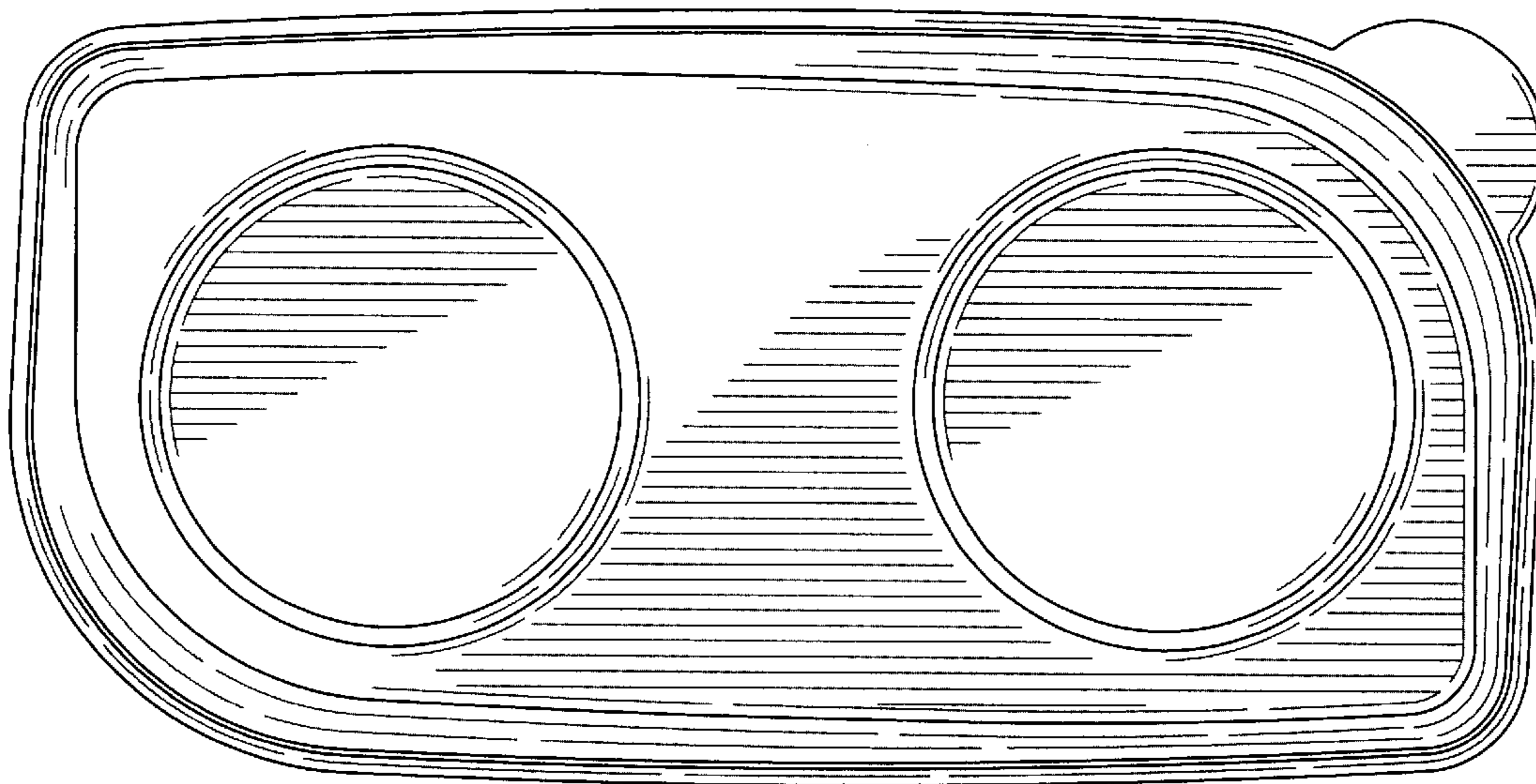


FIG. 7