



US00D548536S

(12) **United States Design Patent** (10) **Patent No.:** **US D548,536 S**  
**Ellis** (45) **Date of Patent:** **\*\* Aug. 14, 2007**

(54) **SPORT BOTTLE RACK DISPENSING SYSTEM**

(76) Inventor: **Jan E. Ellis**, 2036 Elderwood Ct., Eldersburg, MD (US) 21784

(\*\*) Term: **14 Years**

(21) Appl. No.: **29/253,255**

(22) Filed: **Feb. 3, 2006**

(51) **LOC (8) Cl.** ..... **07-06**

(52) **U.S. Cl.** ..... **D7/620**

(58) **Field of Classification Search** ..... D7/619.1–625; D6/514, 553, 566, 572; 211/74, 75, 85.31; 224/414, 425, 461, 435, 448, 462; 248/311.2, 248/309.1, 310, 205.1, 231.91, 302  
See application file for complete search history.

(56) **References Cited**

**U.S. PATENT DOCUMENTS**

1,215,495	A *	2/1917	Crum	248/205.1
2,327,969	A *	8/1943	Sanford	248/205.1
3,186,671	A *	6/1965	Standley	248/302
4,830,240	A *	5/1989	Tackles et al.	224/414
D301,523	S *	6/1989	Barbieri et al.	D6/323
D309,848	S *	8/1990	Sokolski et al.	D7/620
D320,124	S *	9/1991	Gakhar et al.	D6/553
5,060,832	A *	10/1991	Link	224/414
D406,485	S *	3/1999	Paikos et al.	D6/566
6,053,340	A *	4/2000	Cameron	248/311.2
6,457,691	B1 *	10/2002	Kao	248/311.2
D484,345	S *	12/2003	Clucas	D6/572

\* cited by examiner

*Primary Examiner*—Terry A Wallace  
(74) *Attorney, Agent, or Firm*—Castellano PLLC

(57) **CLAIM**

The ornamental design for a sport bottle rack dispensing system, as shown and described.

**DESCRIPTION**

FIG. 1 is a perspective view of an ornamental design for a sport bottle rack dispensing system according to the present invention, in which dashed broken lines define unclaimed features;

FIG. 2 is a front view thereof;

FIG. 3 is a side view thereof;

FIG. 4 is a top view thereof;

FIG. 5 is a bottom view thereof;

FIG. 6 is a perspective view of an ornamental design of another embodiment of a sport bottle rack dispensing system according to the present invention, in which dashed broken lines define unclaimed features;

FIG. 7 is a perspective view of an ornamental design of another embodiment of a sport bottle rack dispensing system according to the present invention, in which dashed broken lines define unclaimed features;

FIG. 8 is a perspective view of an ornamental design of another embodiment of a sport bottle rack dispensing system according to the present invention, in which dashed broken lines define unclaimed features;

FIG. 9 is a perspective view of a plate of an embodiment of the sport bottle rack dispensing system according to the present invention;

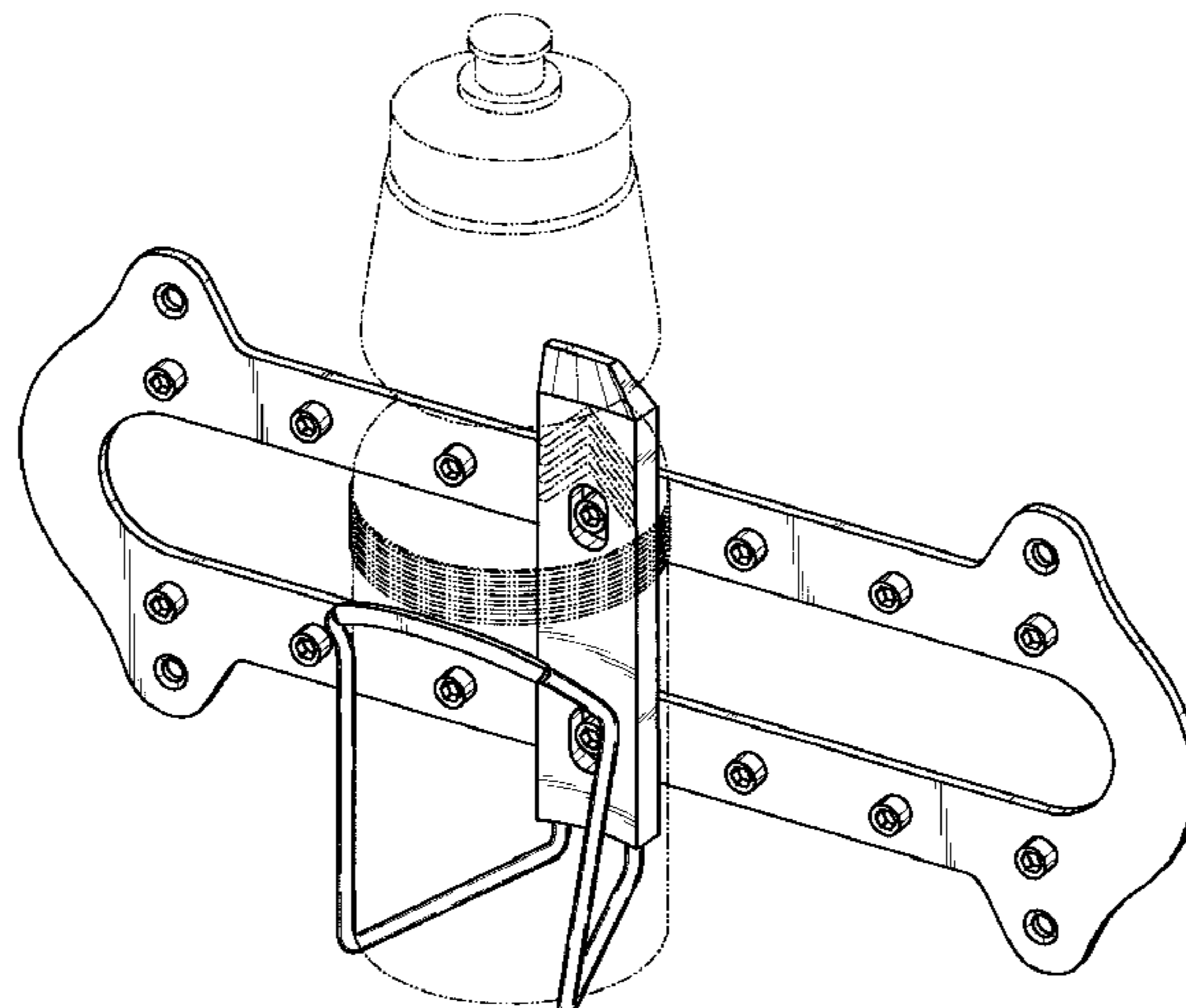
FIG. 10 is a perspective view of a clip of an embodiment of the sport bottle rack dispensing system according to the present invention;

FIG. 11 is a front view of the clip of FIG. 10; and,

FIG. 12 is a side view of the clip of FIG. 11.

The plate and clip in FIGS. 9–12 are shown separately for clarity of illustration. The difference in the alternate embodiments shown in FIGS. 6–8 is the addition of extra clips.

**1 Claim, 8 Drawing Sheets**



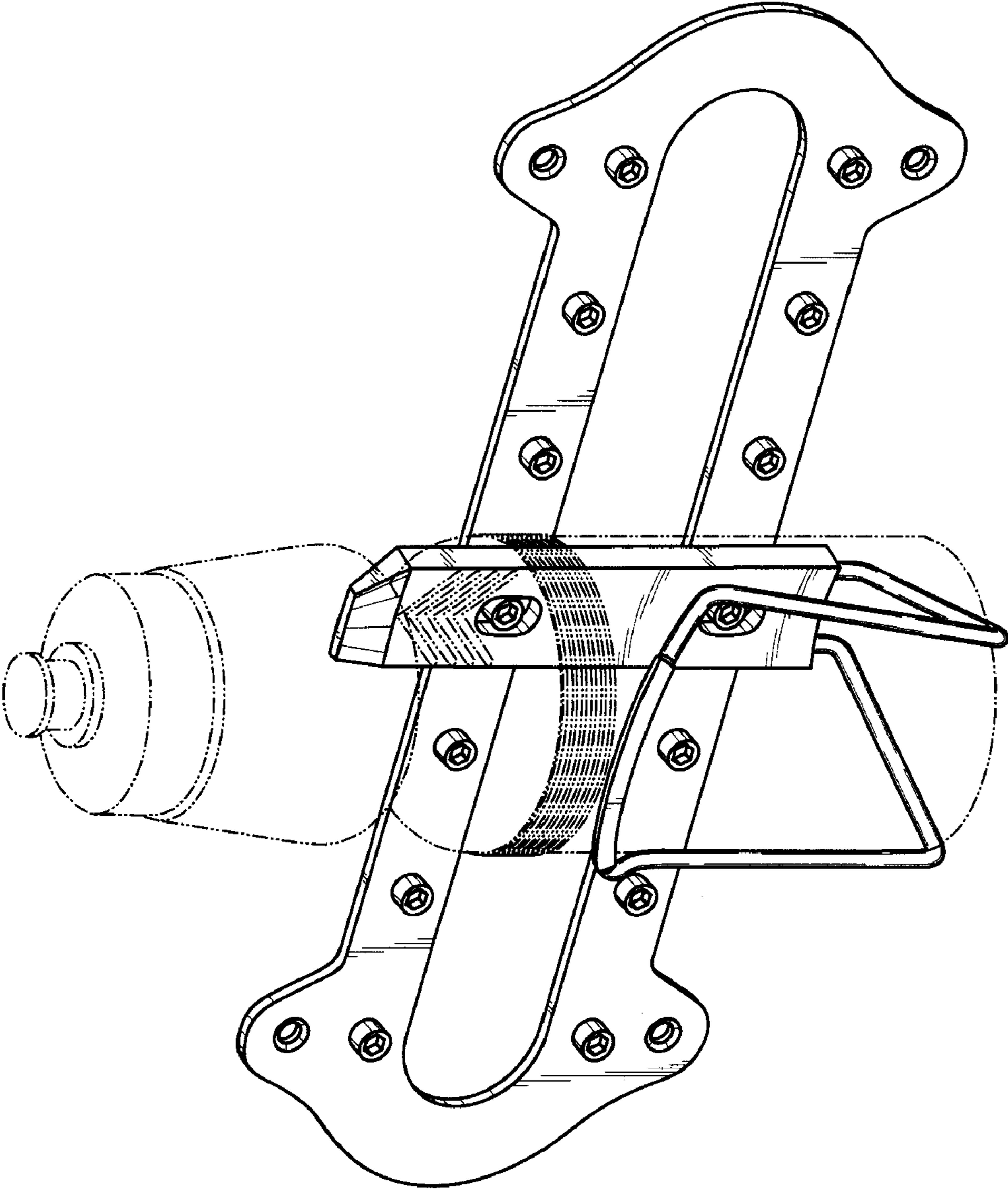
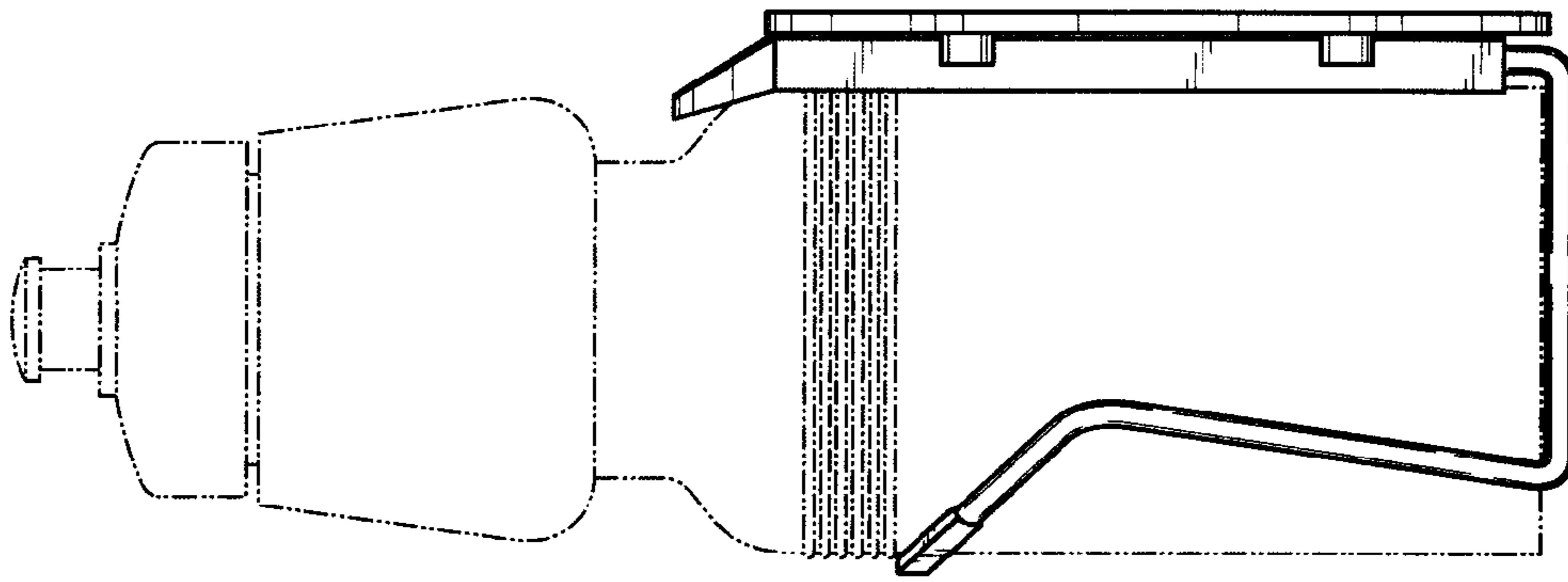
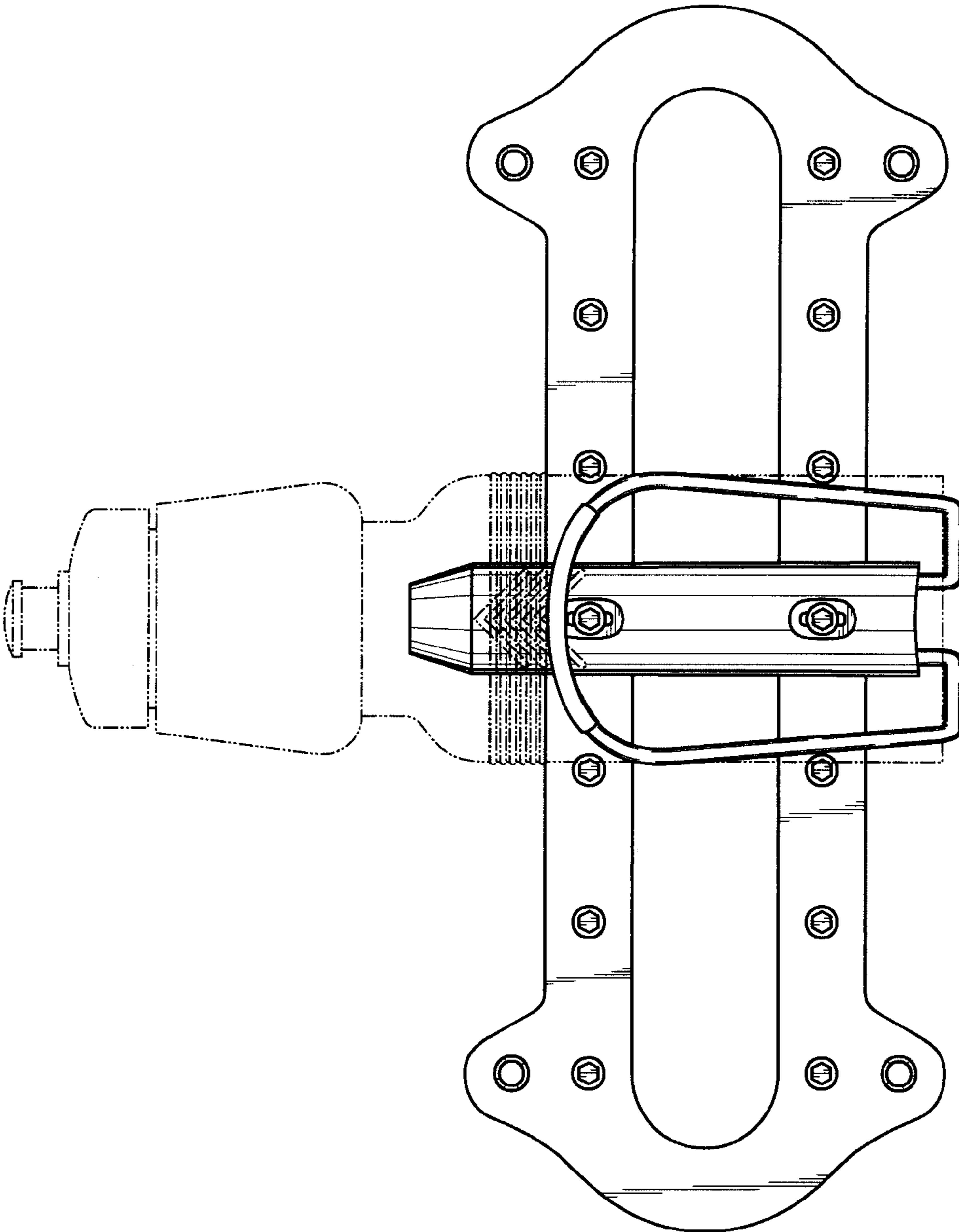


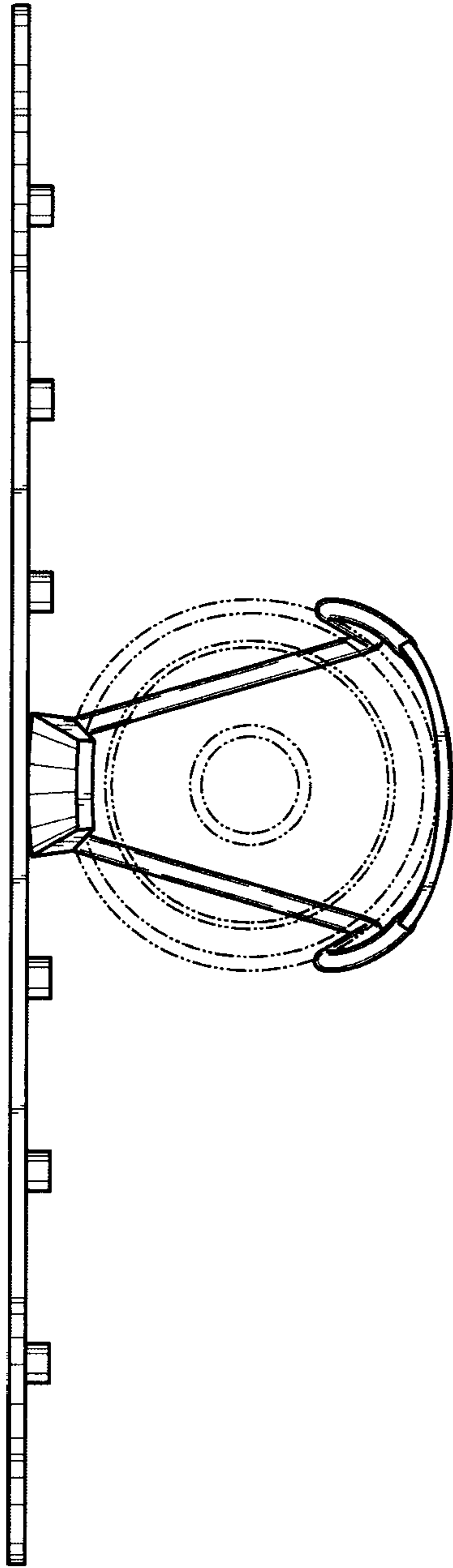
Fig. 1



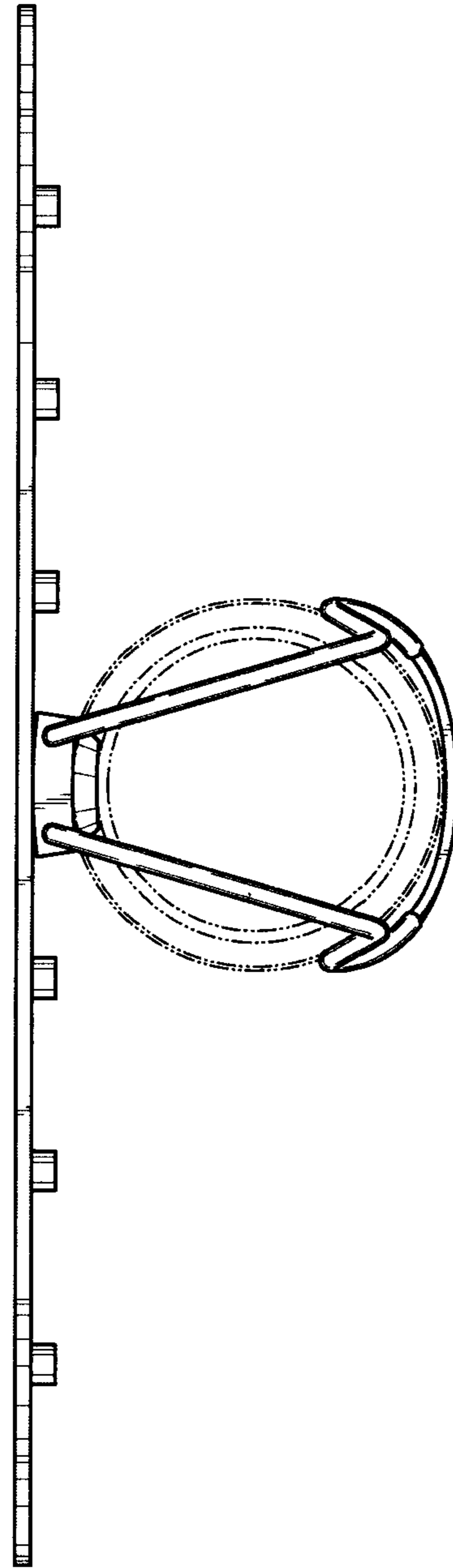
*Fig. 3*



*Fig. 2*



*Fig. 4*



*Fig. 5*



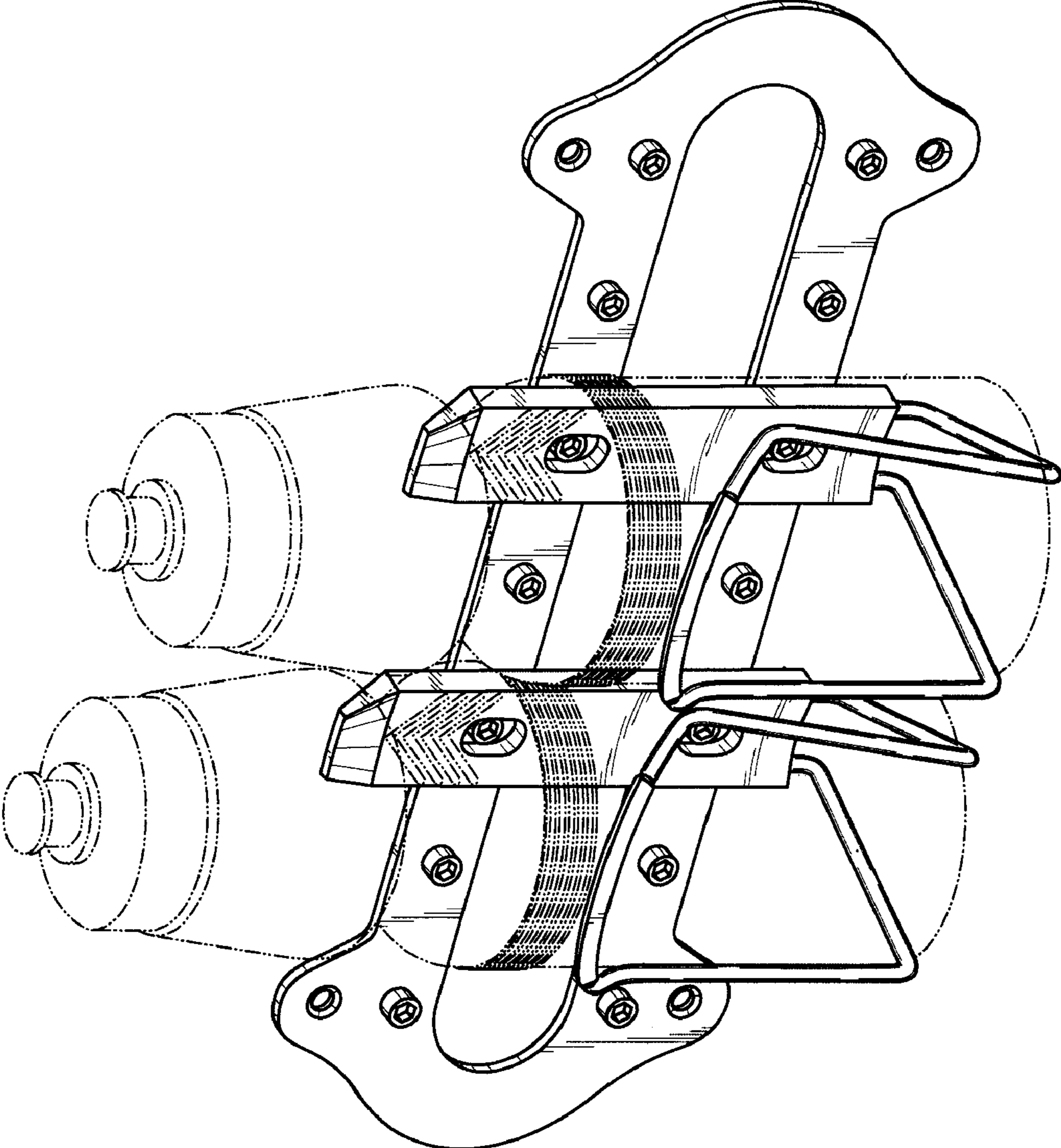


Fig. 6

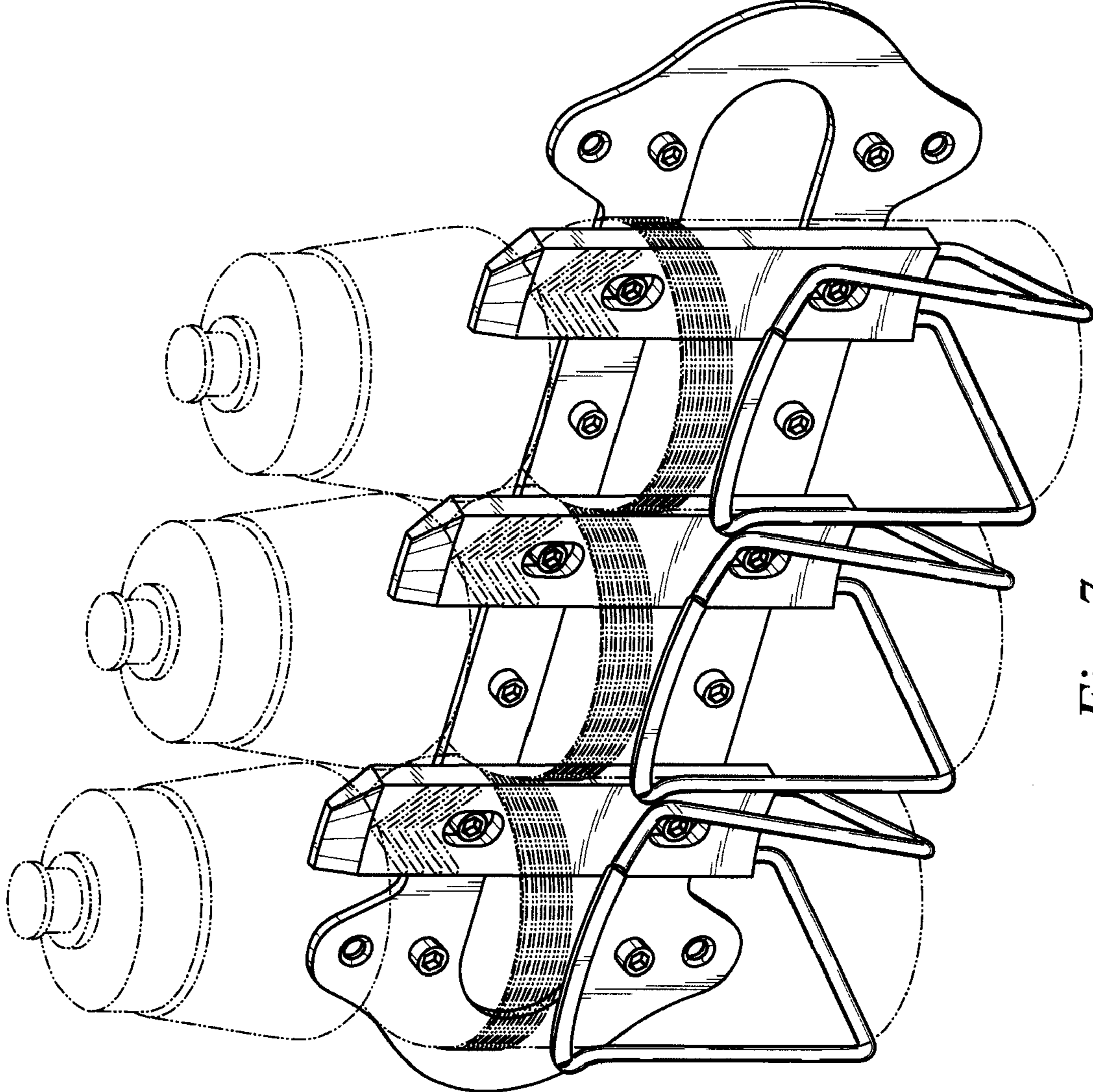


Fig. 7

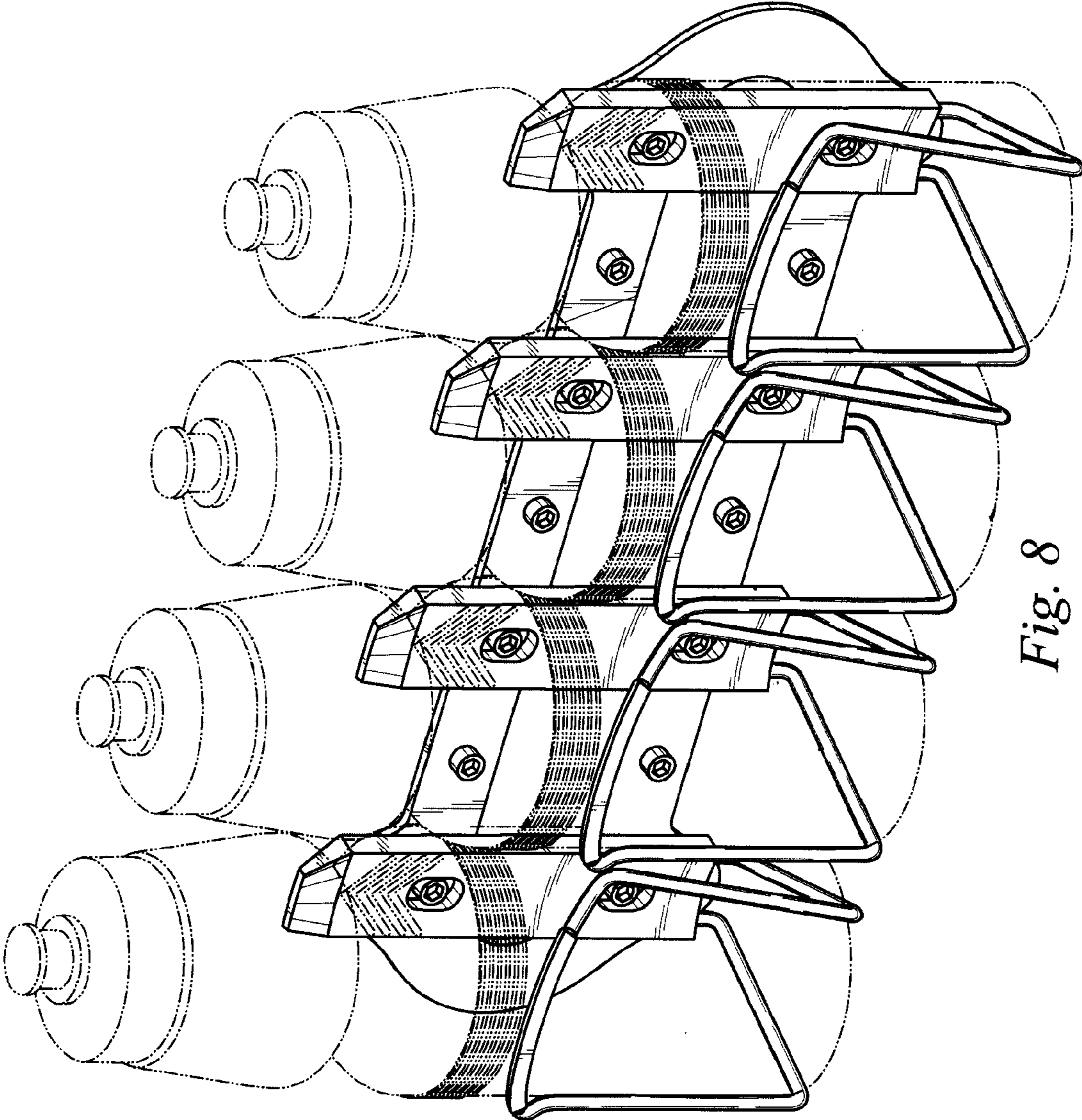
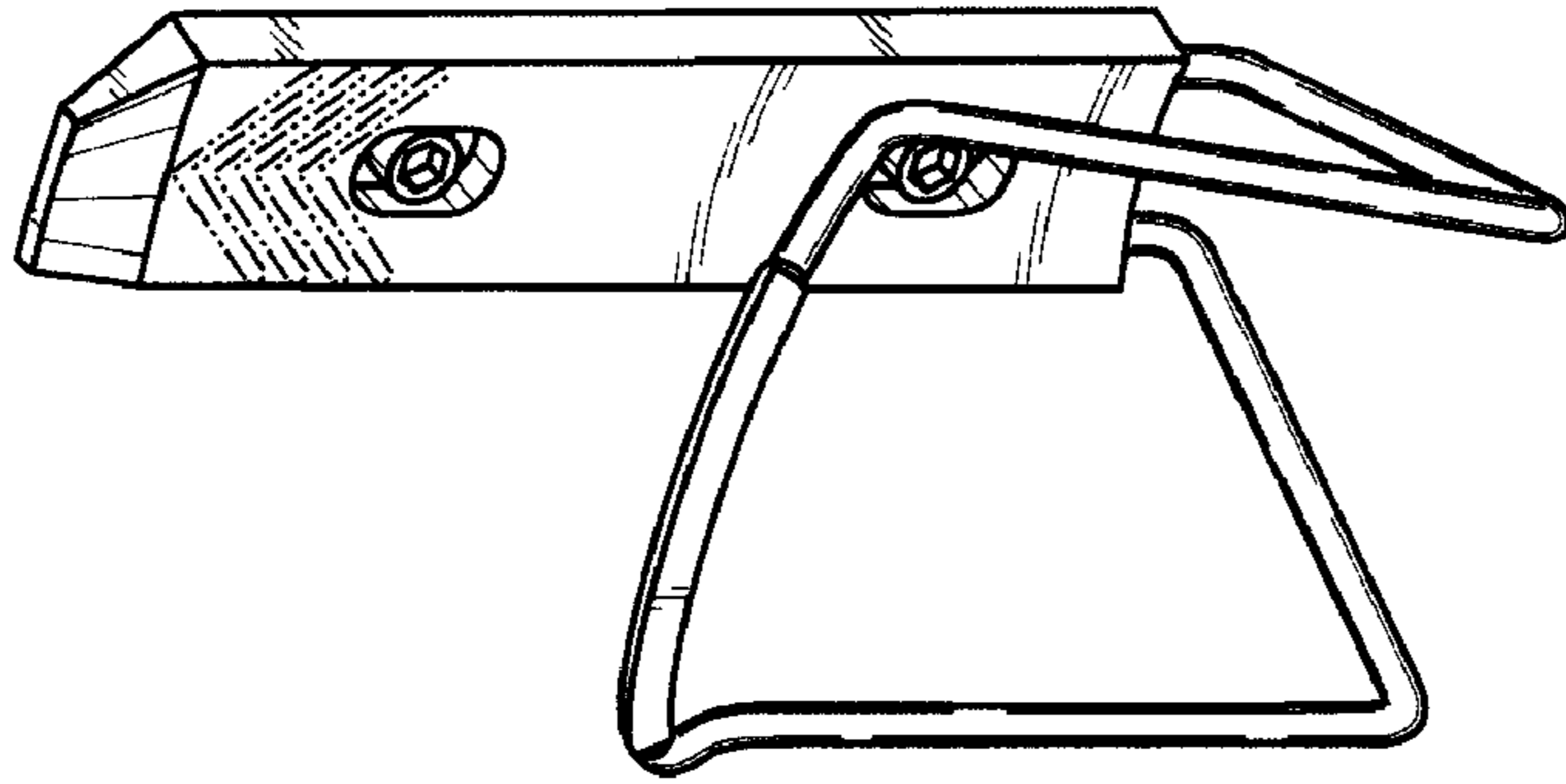
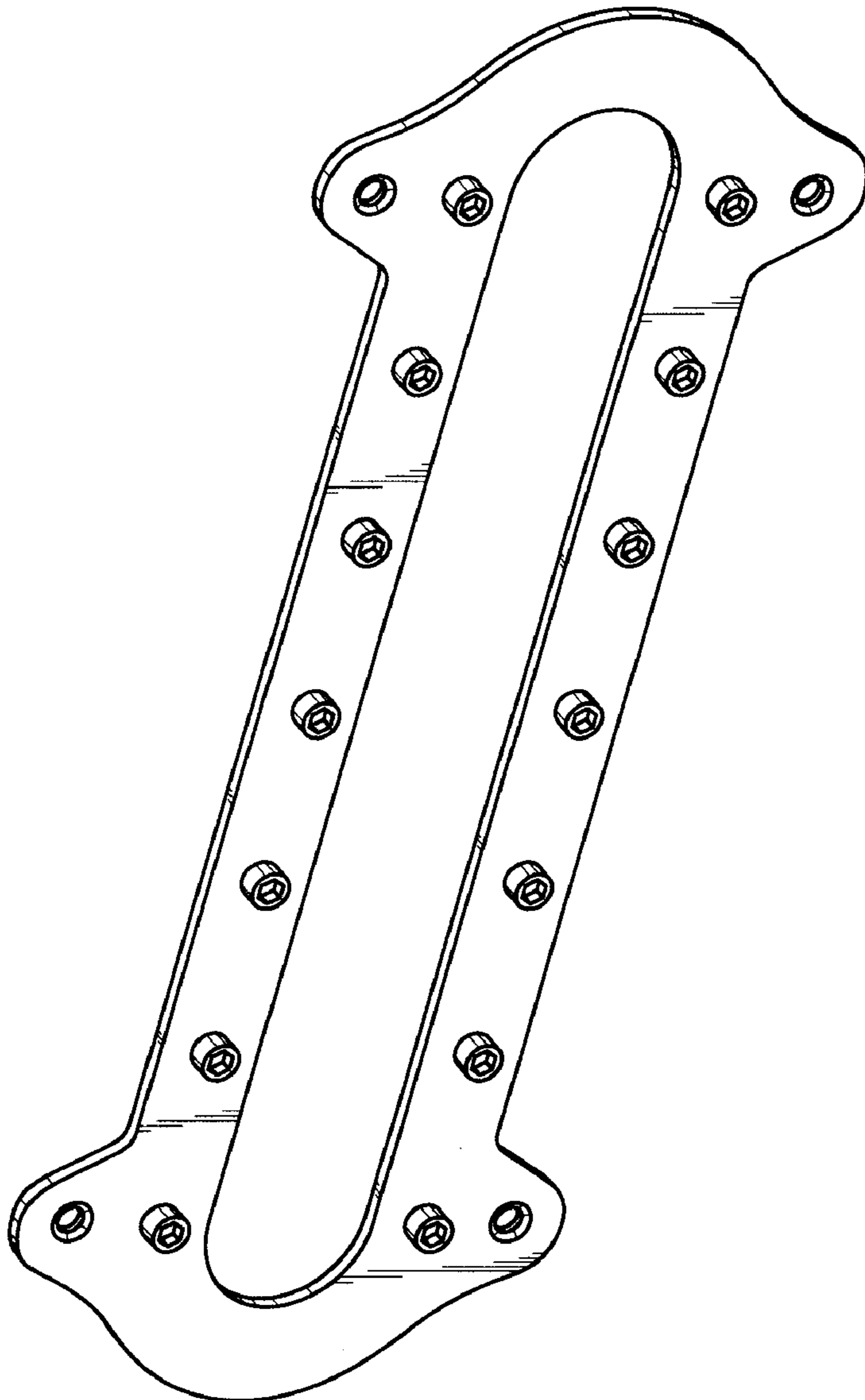


Fig. 8

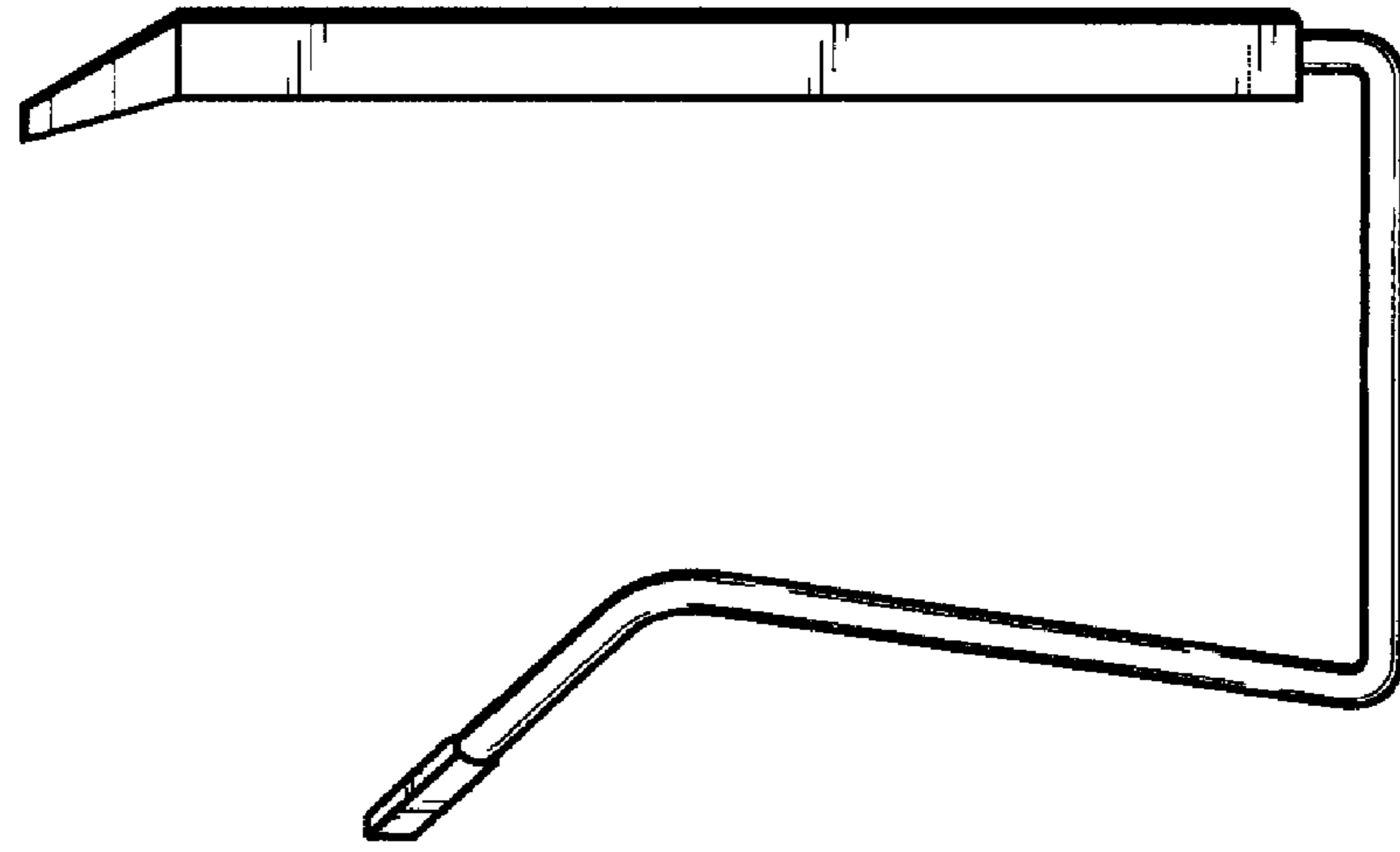


*Fig. 10*

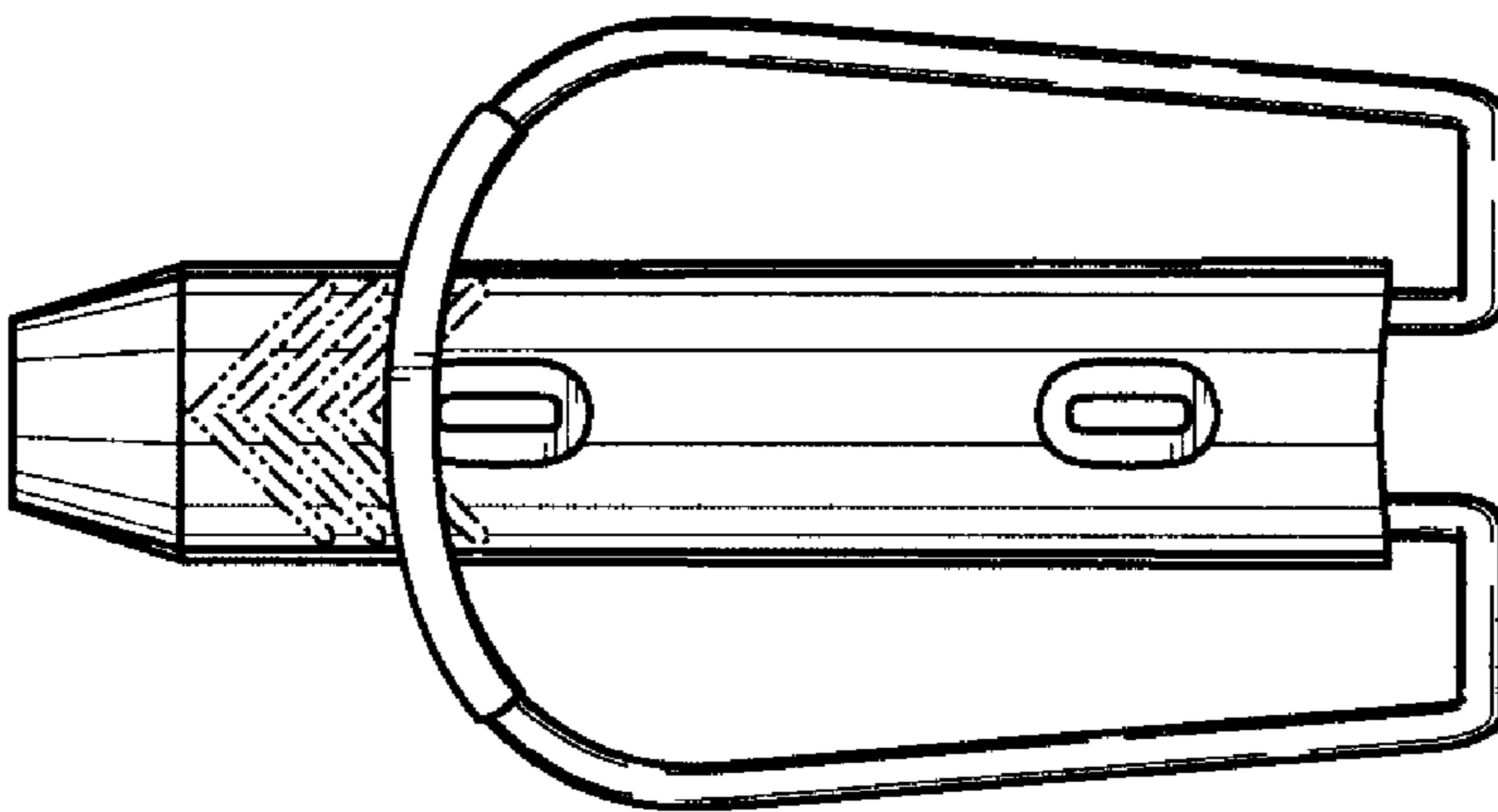


*Fig. 9*





*Fig. 11*



*Fig. 12*