

US00D548535S

(12) **United States Design Patent**
Schwallie et al.

(10) **Patent No.: US D548,535 S**

(45) **Date of Patent: ** Aug. 14, 2007**

(54) **BOTTLE HOLDER**

(75) Inventors: **Todd Schwallie**, Tempe, AZ (US);
Klaus Wolff, Mesa, AZ (US)

(73) Assignee: **Tempe Innovations, LLC**, Tempe, AZ
(US)

(**) Term: **14 Years**

(21) Appl. No.: **29/212,154**

(22) Filed: **Aug. 27, 2004**

(51) **LOC (8) Cl.** **07-06**

(52) **U.S. Cl.** **D7/619.1**

(58) **Field of Classification Search** D7/619.1-625;
D6/465-467, 469; 211/71.01, 74; 215/399;
248/146, 152, 311.2, 312

See application file for complete search history.

(56) **References Cited**

U.S. PATENT DOCUMENTS

4,496,124	A	*	1/1985	Cole	248/146
D329,781	S	*	9/1992	Ito	D7/619.1
D350,039	S	*	8/1994	Gener	D6/466
D396,783	S		8/1998	Lee		
D453,665	S		2/2002	Loiacono		
D456,220	S		4/2002	Loiacono		

* cited by examiner

Primary Examiner—Terry A. Wallace

(74) *Attorney, Agent, or Firm*—Gregory J. Nelson

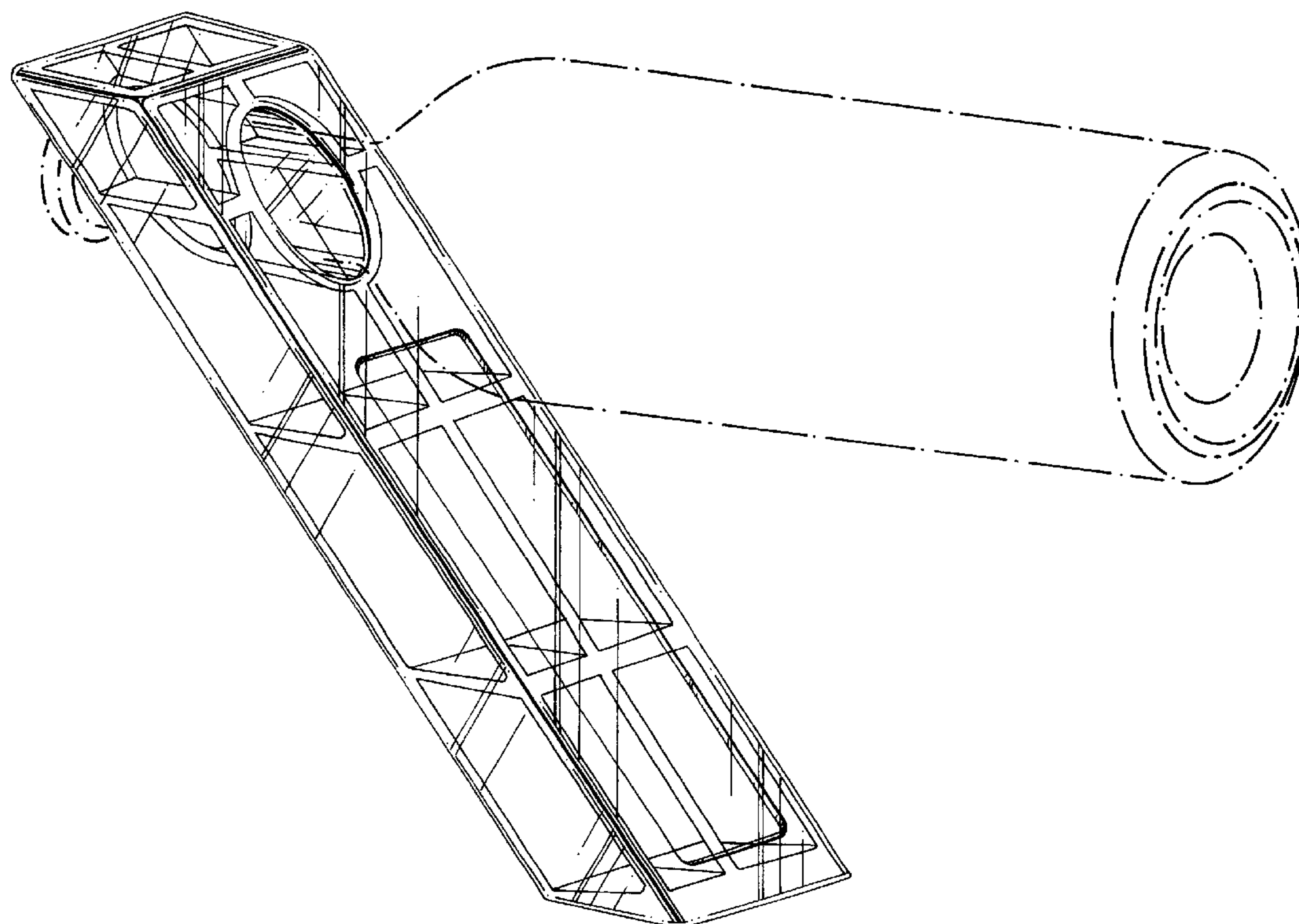
(57) **CLAIM**

We claim the ornamental design for a bottle holder, as shown and described.

DESCRIPTION

FIG. 1 is a perspective view of one embodiment of the bottle holder of our design with a bottle shown in broken line; FIG. 2 is a left side view of the bottle holder of FIG. 1; FIG. 3 is a right side view of the bottle holder of FIG. 1; FIG. 4 is a front view of the bottle holder of FIG. 1 in a use position; FIG. 5 is a rear view of the bottle holder of FIG. 1 in a use position; FIG. 6 is a front view of the bottle holder of FIG. 1 tilted to better illustrate the details thereof; FIG. 7 is a rear view of the bottle holder of FIG. 1 tilted to better illustrate the details thereof; FIG. 8 is a perspective view of another embodiment of the bottle holder of our design with a bottle shown an broken lines; FIG. 9 is a left side view of the bottle holder of FIG. 8; FIG. 10 is a right side view of the bottle holder of FIG. 8; FIG. 11 is a front view of the bottle holder of FIG. 8 in a use position; FIG. 12 is a rear view of the bottle holder of FIG. 8 in a use position; FIG. 13 is a front view of the bottle holder of FIG. 8 tilted to better illustrate the details thereof; and, FIG. 14 is a rear view of the bottle holder of FIG. 8 tilted to better illustrate the details thereof.

1 Claim, 4 Drawing Sheets



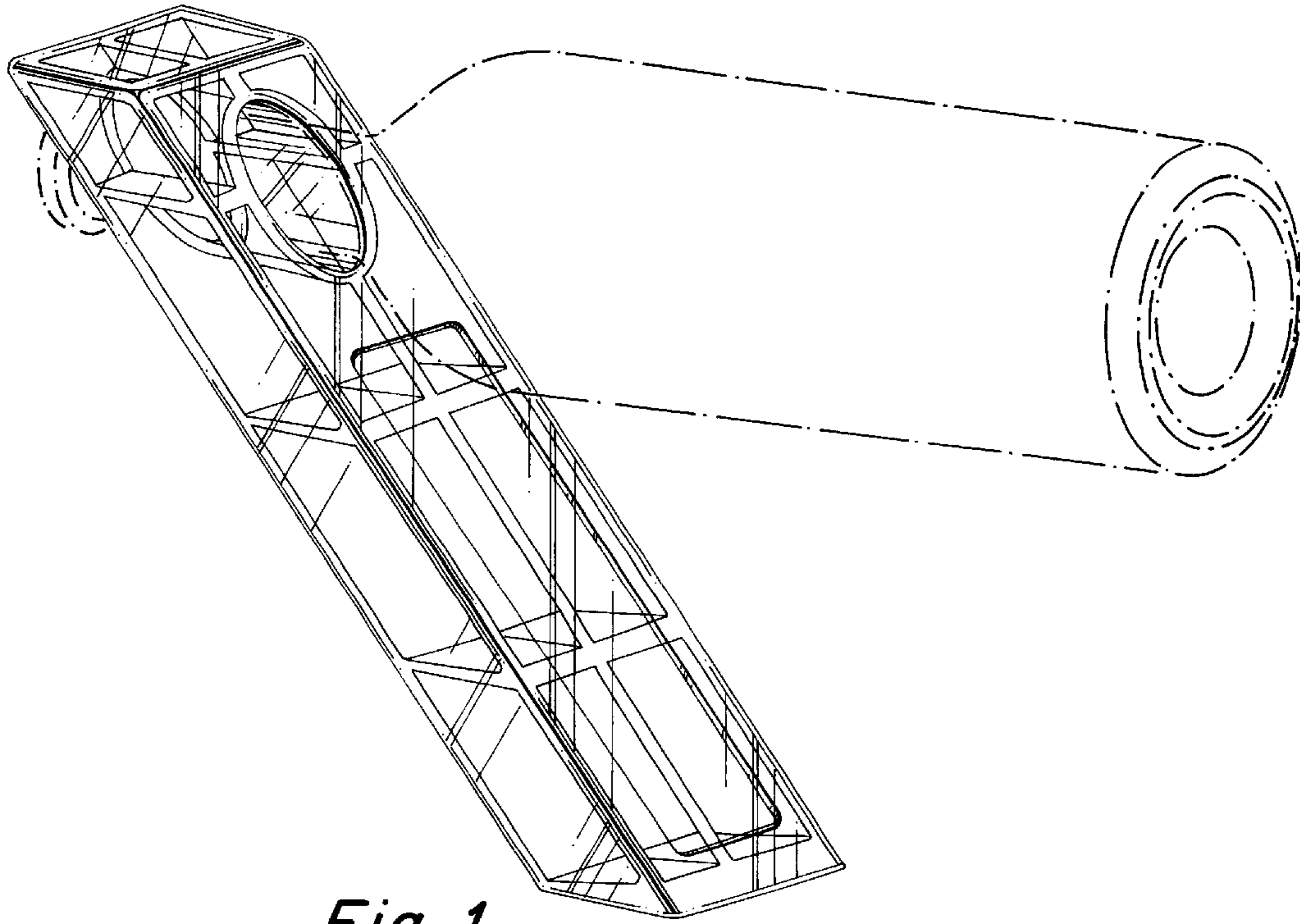


Fig. 1

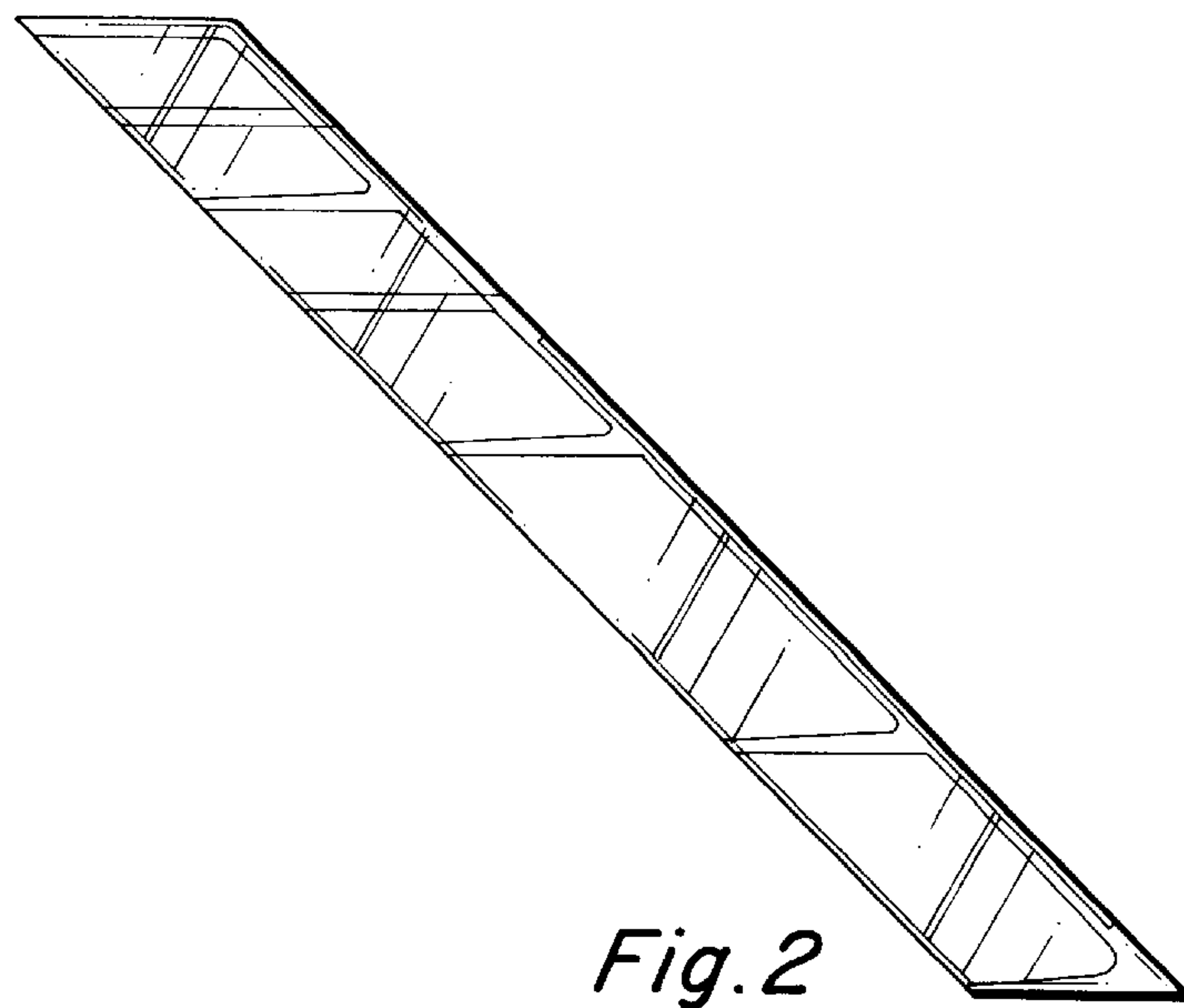


Fig. 2

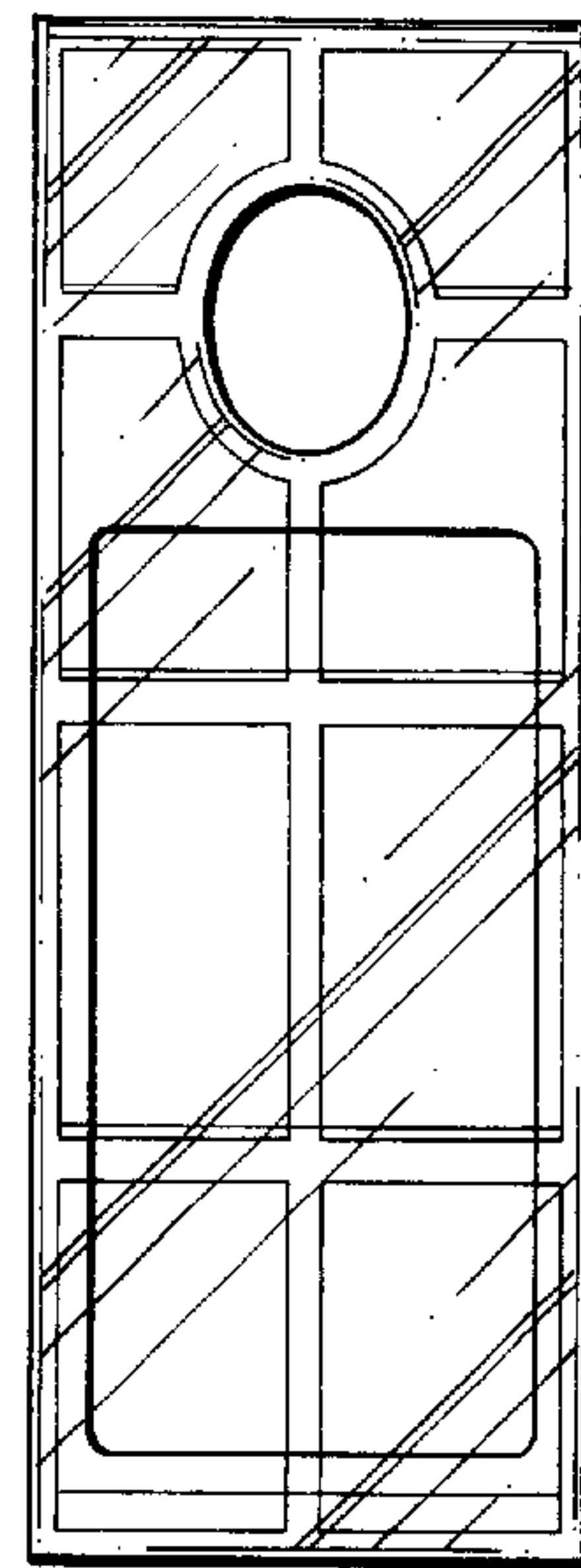


Fig. 4

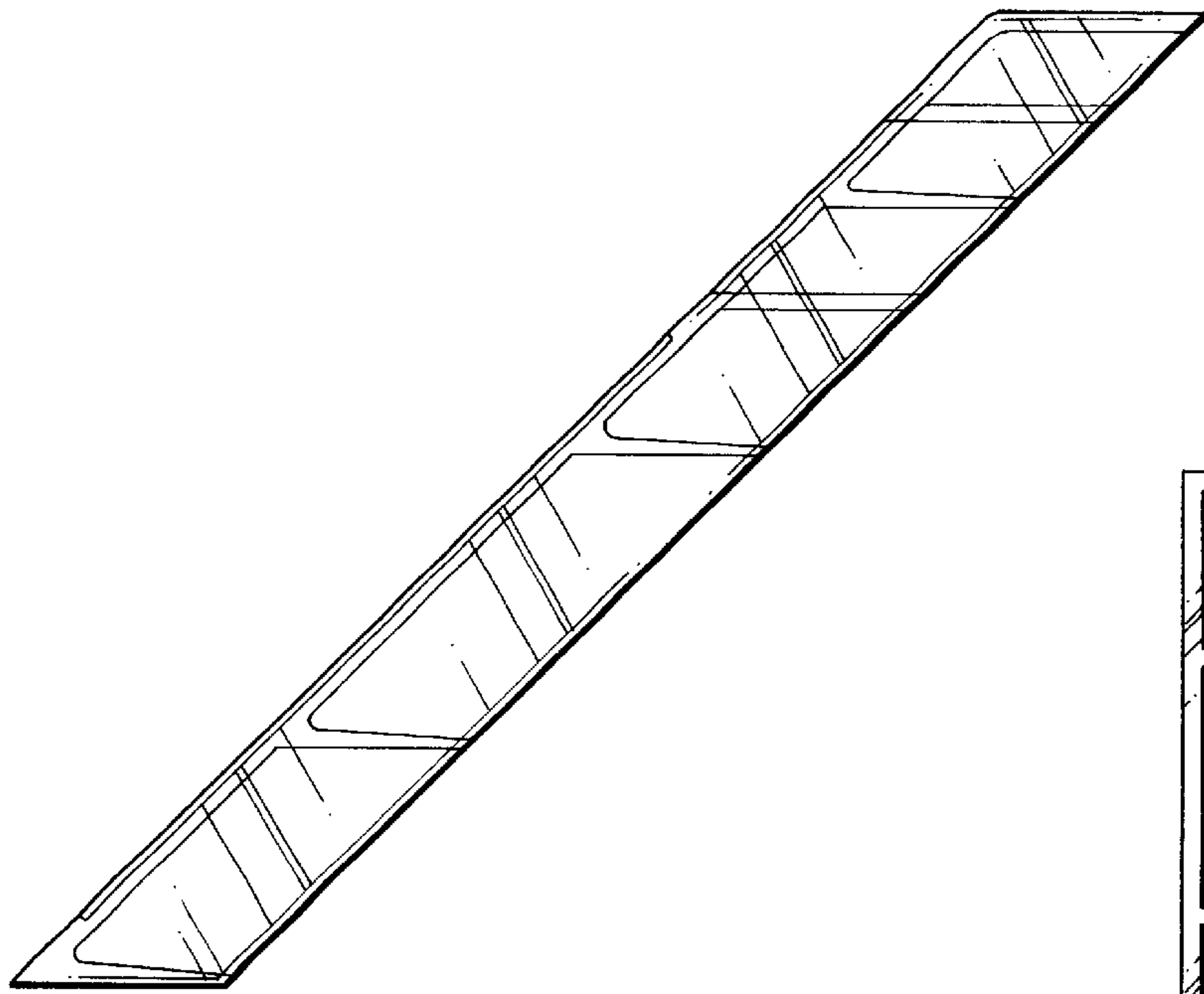


Fig. 3

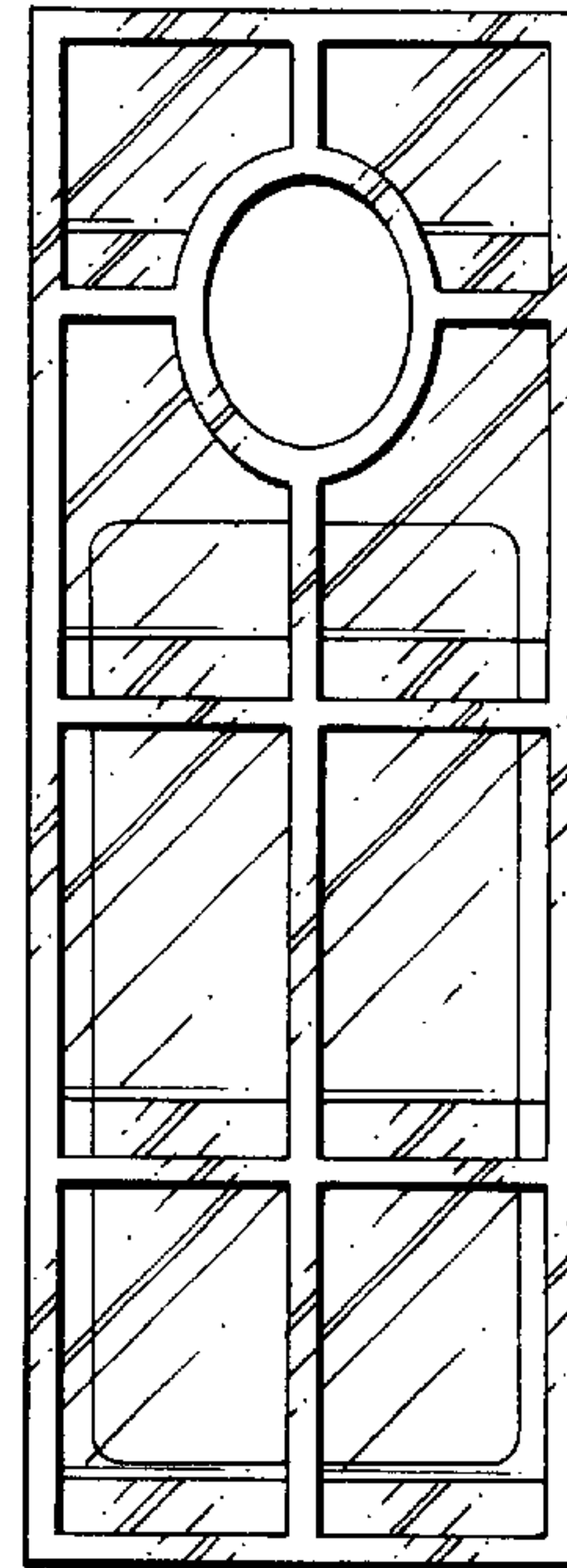


Fig. 5

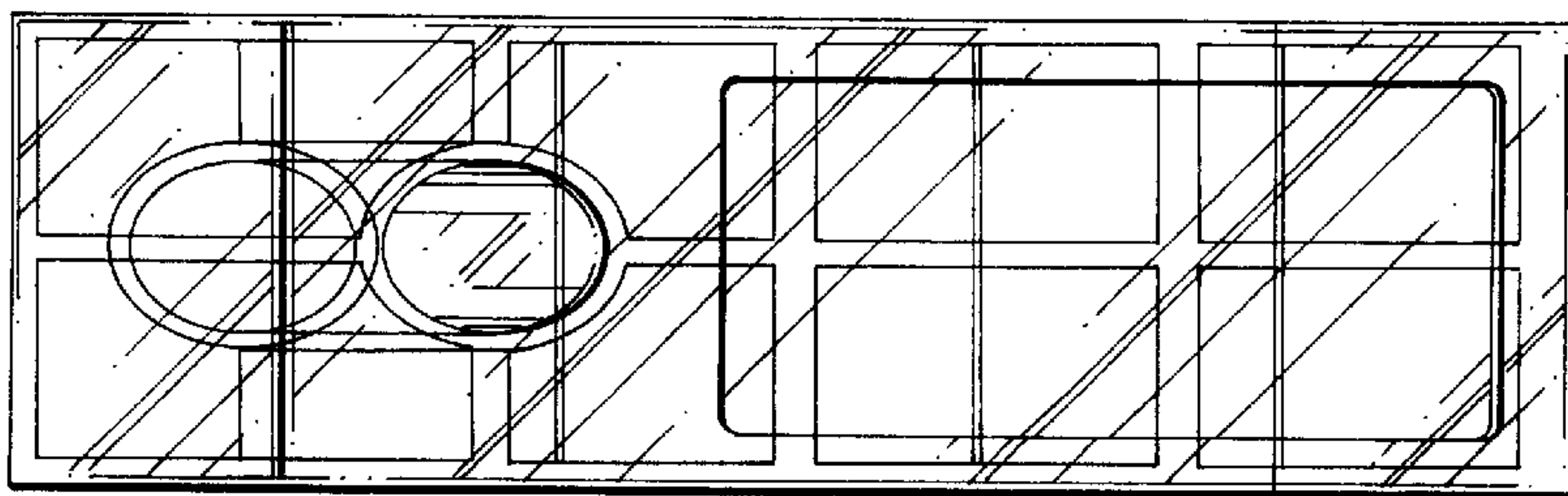


Fig. 6

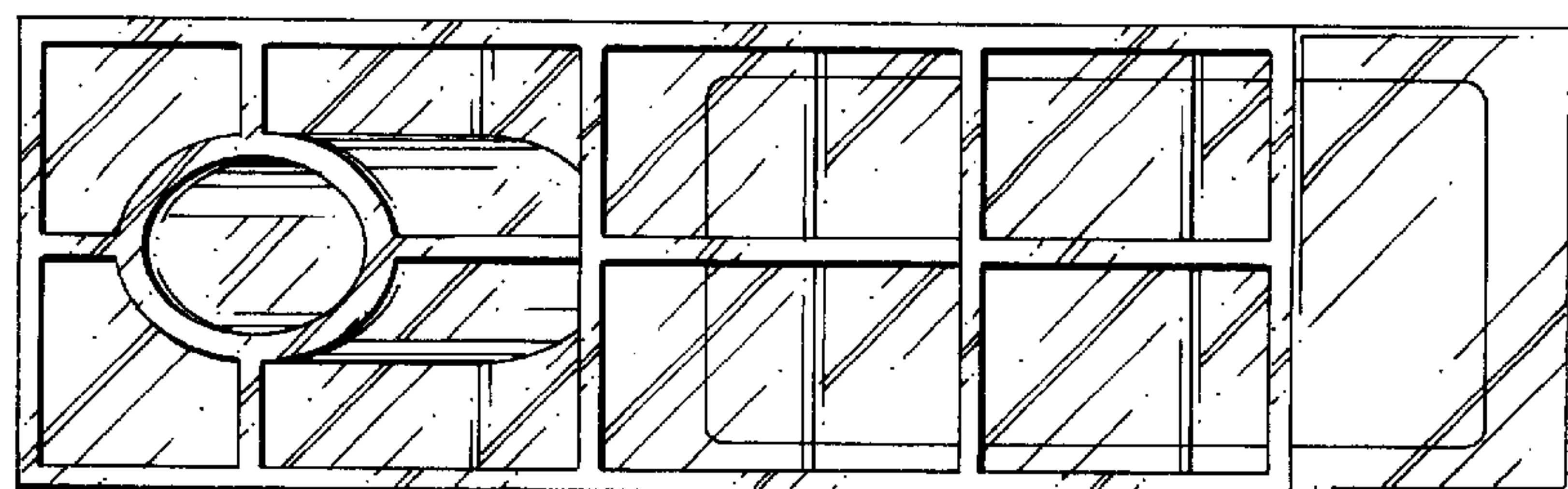


Fig. 7

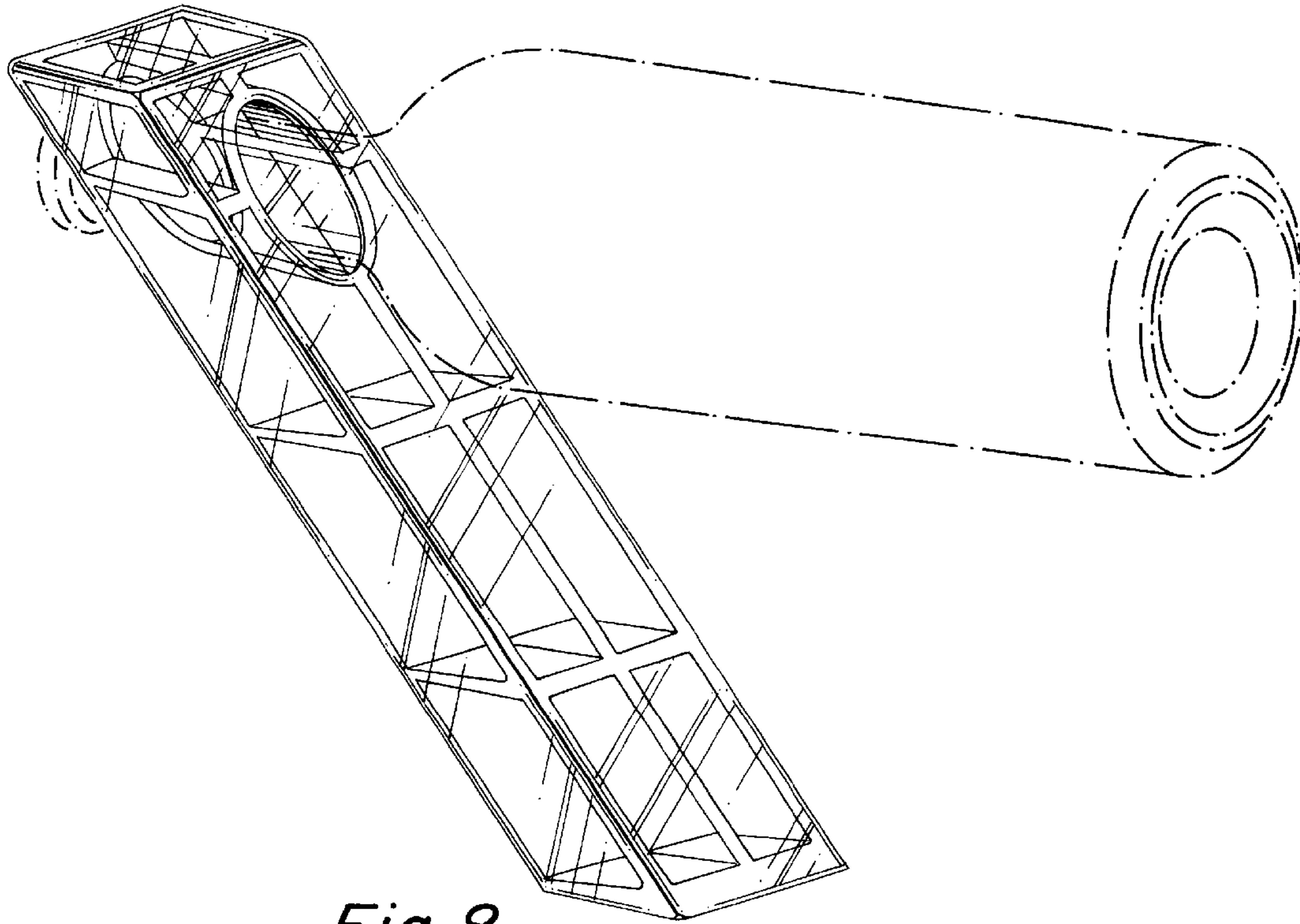


Fig. 8

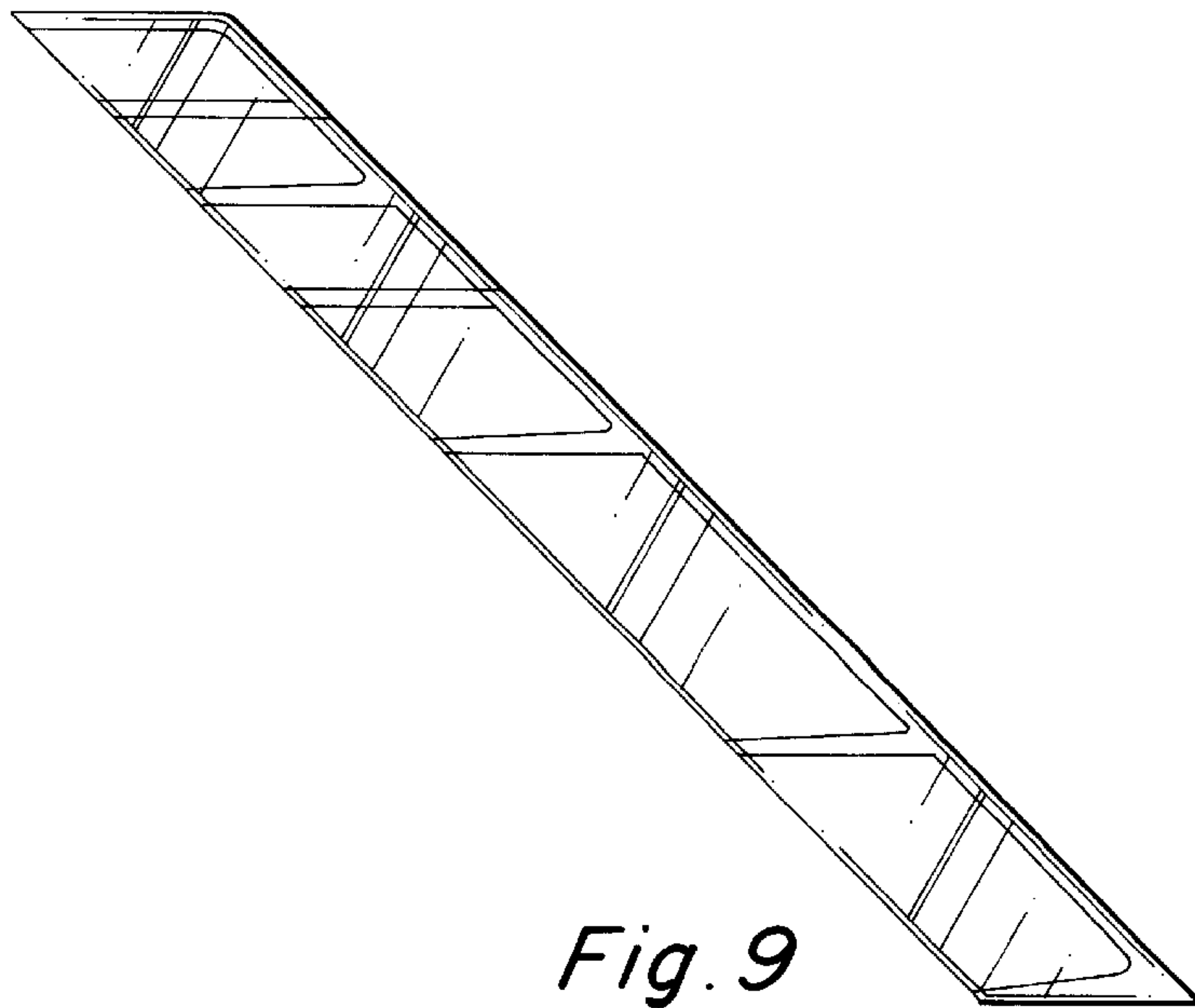


Fig. 9

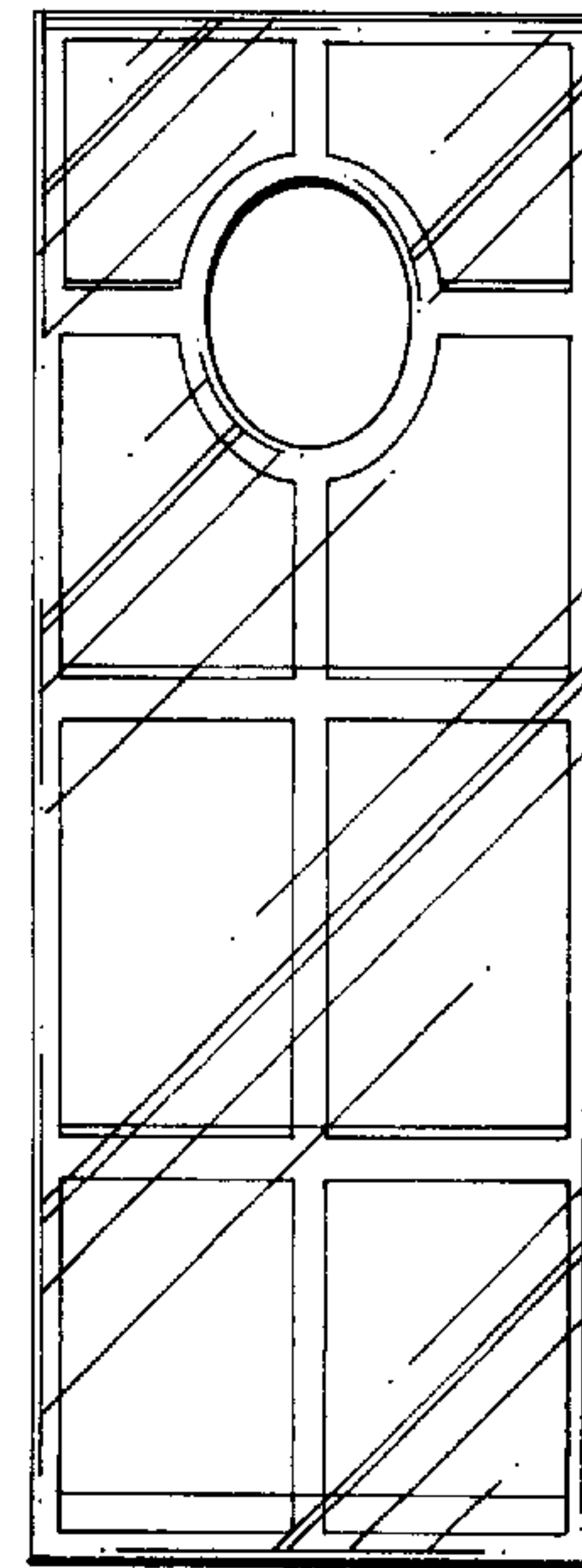


Fig. 11

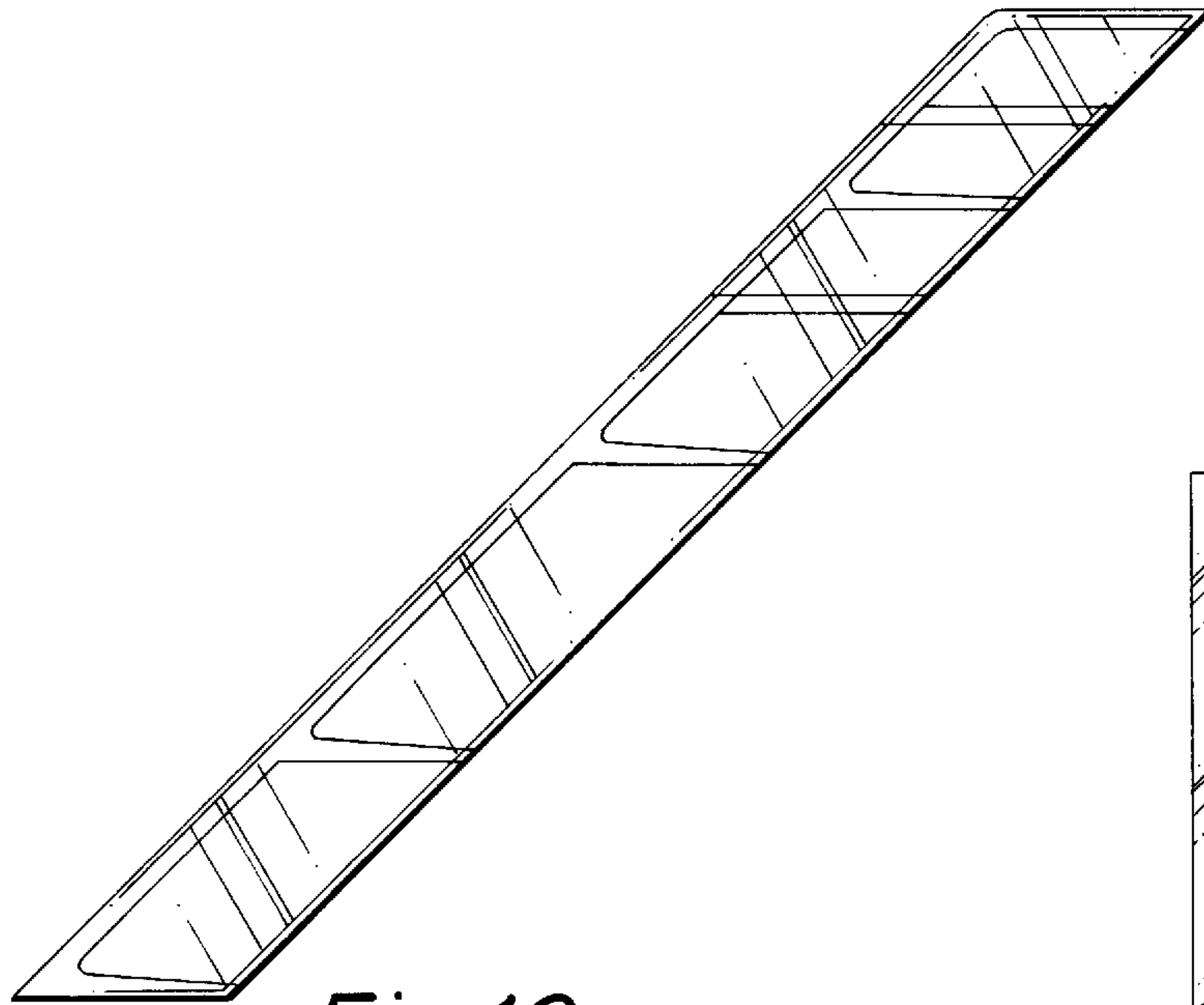


Fig. 10

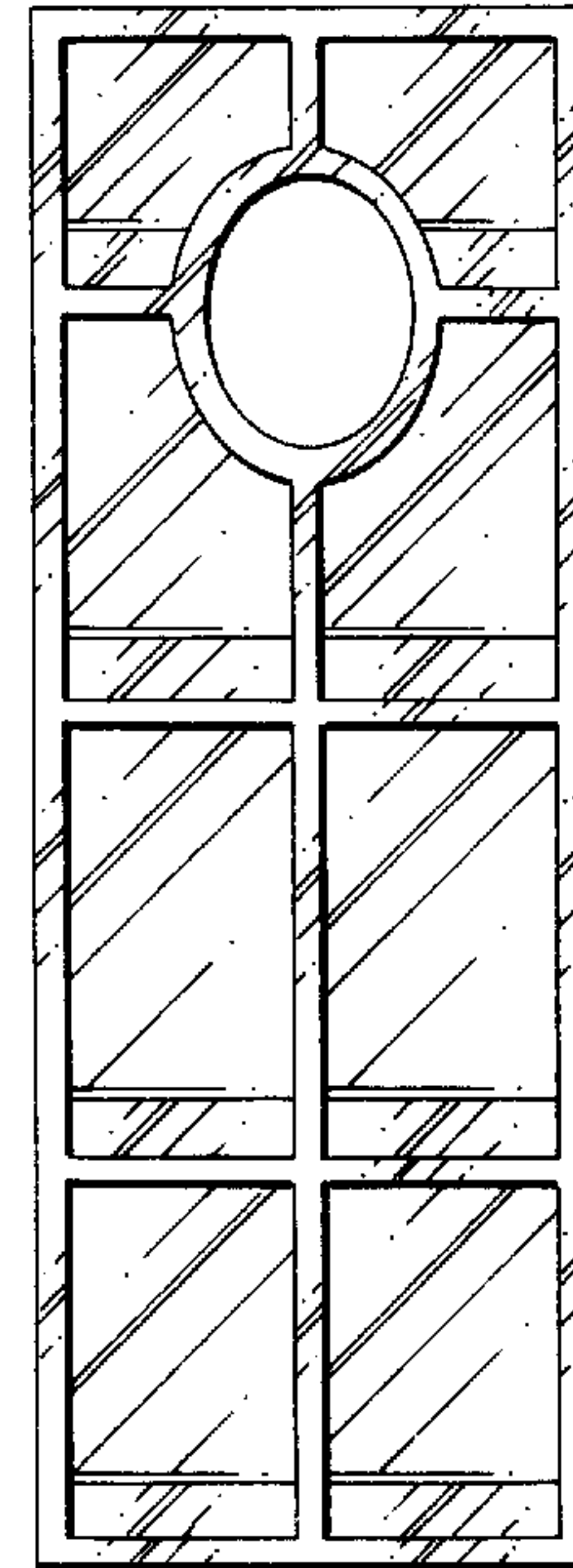


Fig. 12

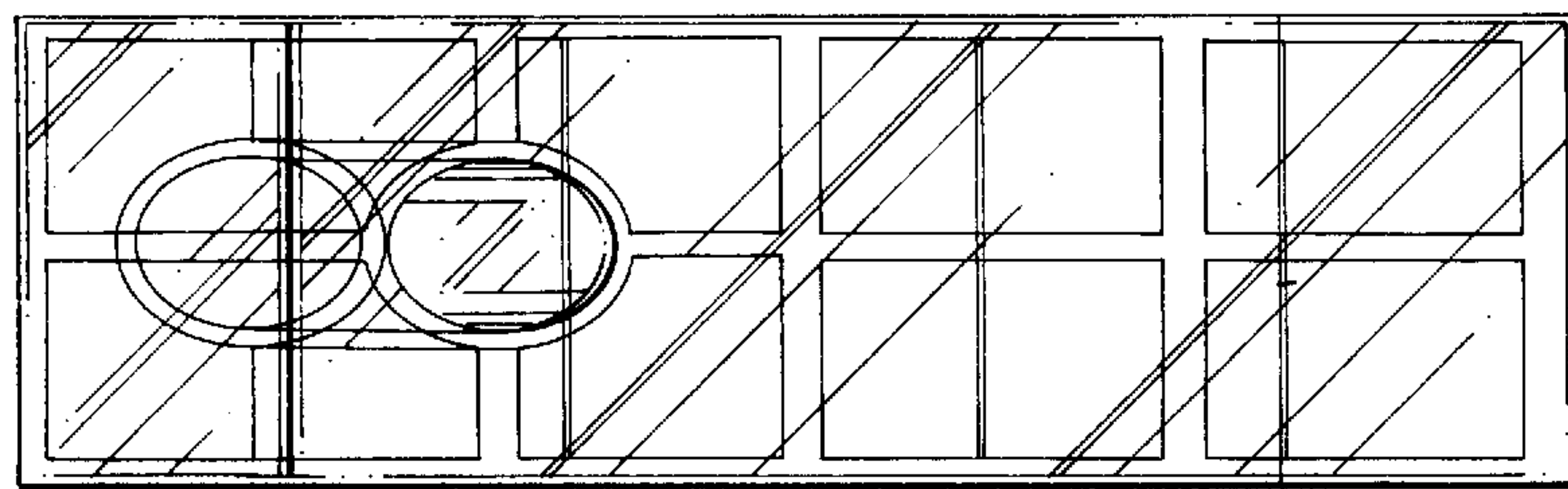


Fig. 13

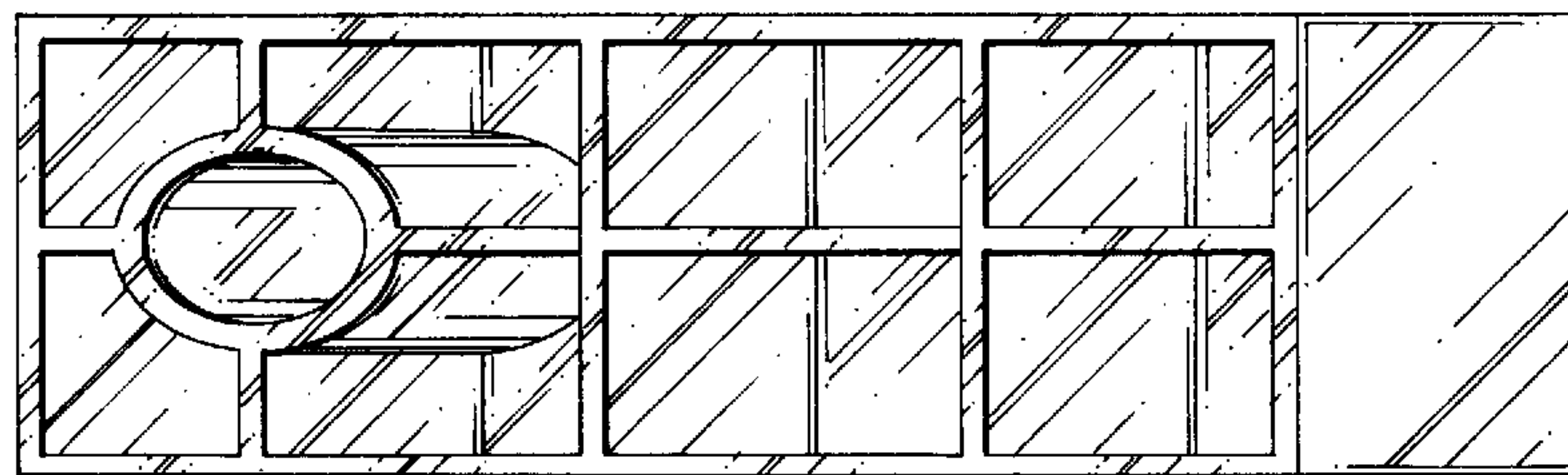


Fig. 14