



US00D548529S

(12) **United States Design Patent** (10) **Patent No.:** **US D548,529 S**
Wasserman et al. (45) **Date of Patent:** **** Aug. 14, 2007**

(54) **DOUBLE WALLED METALLIC BOWL**
 (75) Inventors: **David M. Wasserman**, Whitefish Bay, WI (US); **Rebecca J. Schreiber-Pethan**, Sheboygan, WI (US)
 (73) Assignee: **The Vollrath Company, L.L.C.**, Sheboygan, WI (US)
 (**) Term: **14 Years**

D201,376 S * 6/1965 Schroeder D7/505
 D204,781 S * 5/1966 Wanderer D7/523
 D209,307 S 11/1967 Schilling
 D209,311 S * 11/1967 Schilling D7/523
 D214,678 S 7/1969 Weeber
 3,792,809 A 2/1974 Schneider et al.
 D262,681 S * 1/1982 Dawson D7/667
 D264,791 S 6/1982 Conti
 D264,792 S 6/1982 Conti
 4,435,628 A * 3/1984 Bowen et al. 219/734

(21) Appl. No.: **29/240,274**
 (22) Filed: **Oct. 11, 2005**

(Continued)

Primary Examiner—Ian Simmons
Assistant Examiner—Charles Hanson
 (74) *Attorney, Agent, or Firm*—Foley & Lardner LLP

(51) **LOC (8) Cl.** **07-01**
 (52) **U.S. Cl.** **D7/545**
 (58) **Field of Classification Search** D7/586,
 D7/584, 503, 509, 523, 566, 312, 316, 376,
 D7/397, 558, 565, 300.1, 585, 630, 396.2,
 D7/545, 611, 543, 505, 542, 602, 701, 356;
 D9/772, 432; D11/152, 154; 220/574, 212,
 220/23.83, 657, 659, 755, 771, 904; 222/143,
 222/465.1; 206/821, 822
 See application file for complete search history.

(57) **CLAIM**

We claim the ornamental design for a double walled metallic bowl, as shown and described.

DESCRIPTION

FIG. 1 is a top perspective view of a double walled metallic bowl showing my new design;

FIG. 2 is a front elevational view thereof, the rear elevational view, the left end elevational view and the right end elevational view being the same as the front elevational view shown;

FIG. 3 is a top plan view thereof;

FIG. 4 is bottom plan view thereof; and,

FIG. 5 is a sectional view thereof taken along line 5—5 of FIG. 3.

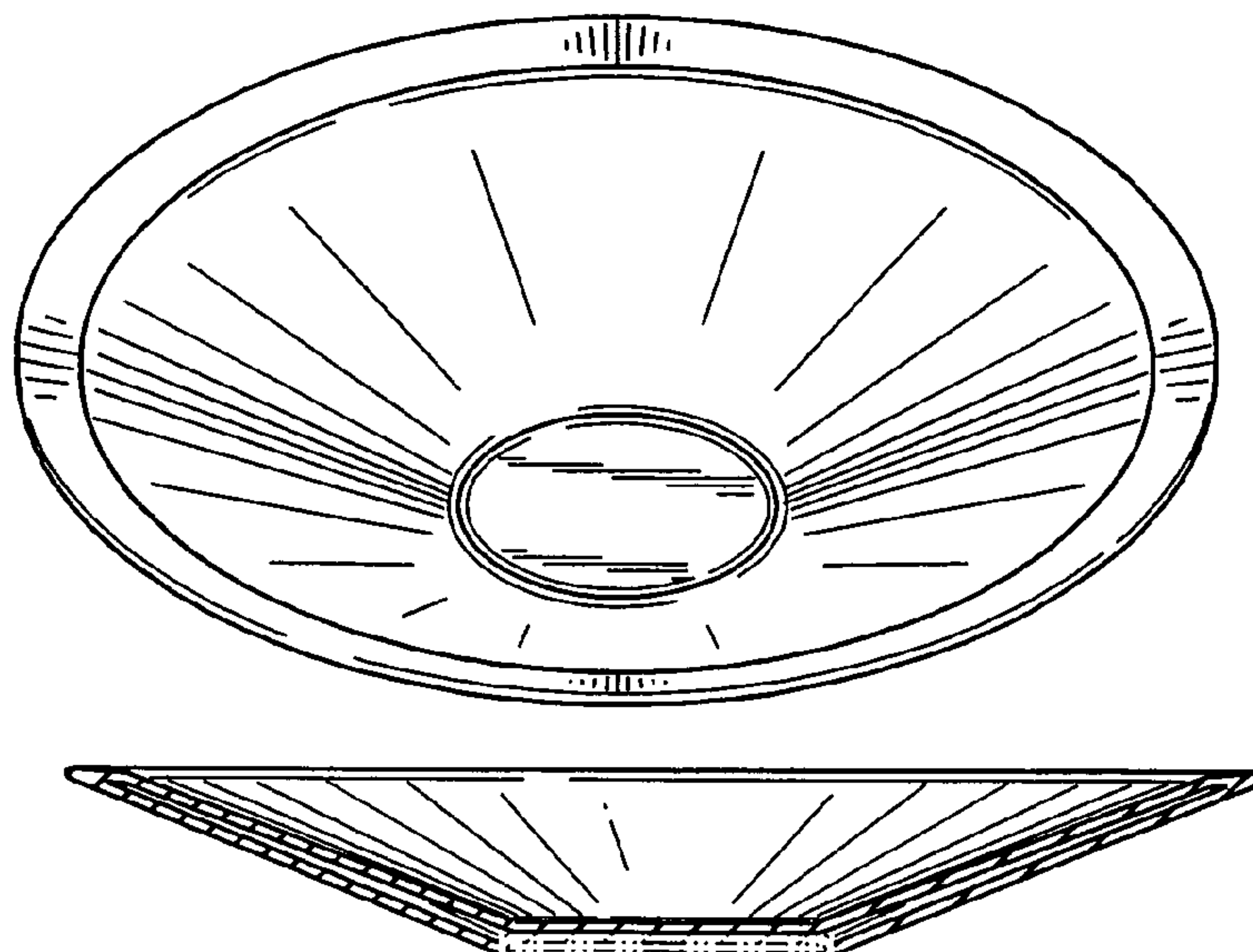
The ornamental design which is claimed is shown in solid lines in the drawings. The broken lines shown in FIGS. 4 and 5 define the bounds of the claimed design and form no part thereof.

(56) **References Cited**

U.S. PATENT DOCUMENTS

184,814 A	11/1876	Adam	
1,093,648 A	4/1914	Potter	
D50,194 S	1/1917	Haley	
D50,398 S	2/1917	Miller	
D50,401 S	2/1917	Miller	
1,607,864 A	11/1926	Butler	
D75,939 S	7/1928	Tennhardt	
D94,207 S *	1/1935	Guild	D7/558
D94,245 S	1/1935	Sebring, Jr. et al.	
D95,504 S *	5/1935	Guild	D11/152
2,050,206 A	8/1936	Chaplin	
2,051,940 A *	8/1936	Chichester-Miles	220/754
D103,390 S *	3/1937	Connor	D7/667

1 Claim, 3 Drawing Sheets



US D548,529 S

Page 2

U.S. PATENT DOCUMENTS

D288,515 S	3/1987	Rimmeir		D424,879 S	5/2000	Biber	
D289,245 S	4/1987	Ritman		D428,770 S	8/2000	Wellner	
D289,246 S	4/1987	Ritman		D428,771 S	8/2000	Novi	
D289,717 S	5/1987	Ritman		D432,362 S	10/2000	Fait	
D291,757 S	9/1987	Ritman		D432,868 S	* 10/2000	Tan	D7/584
D315,658 S	3/1991	Scherer		D442,019 S	5/2001	Wyche	
D316,686 S	* 5/1991	Tardif	D11/148	D442,425 S	5/2001	Wyche	
D318,596 S	* 7/1991	Watts	D7/505	D443,476 S	6/2001	Miura	
D321,815 S	11/1991	Bowdler		D456,211 S	4/2002	Price	
D325,112 S	4/1992	Thompson		D457,389 S	5/2002	Snell	
D327,236 S	* 6/1992	Weder	D11/152	D458,807 S	6/2002	Trazzi	
5,172,826 A	12/1992	Celaya		D459,946 S	7/2002	Willat	
D340,617 S	10/1993	Douglas		D471,404 S	3/2003	Gady	
D345,716 S	4/1994	Kwiatkowski		D471,406 S	3/2003	Wellner	
D360,558 S	7/1995	Appleman		D478,476 S	8/2003	Wellner	
D362,155 S	9/1995	Yee		D478,477 S	8/2003	Tisdale et al.	
D362,594 S	9/1995	McEntee		D480,269 S	10/2003	Currier	
D367,413 S	2/1996	Ballin		D481,262 S	10/2003	Tisdale et al.	
D371,939 S	7/1996	Rigney		D485,127 S	1/2004	Maier-Aichen	
D381,934 S	* 8/1997	Weder et al.	D11/164	D488,352 S	4/2004	Tisdale et al.	
5,706,980 A	1/1998	Dickerson		D491,019 S	6/2004	Marsden et al.	
D406,986 S	* 3/1999	Lewis	D7/558	D494,062 S	8/2004	Willis	
D411,288 S	6/1999	Cuttriss		D494,419 S	8/2004	Armer	
5,934,472 A	8/1999	Ramirez et al.		D495,211 S	8/2004	Brown et al.	

* cited by examiner

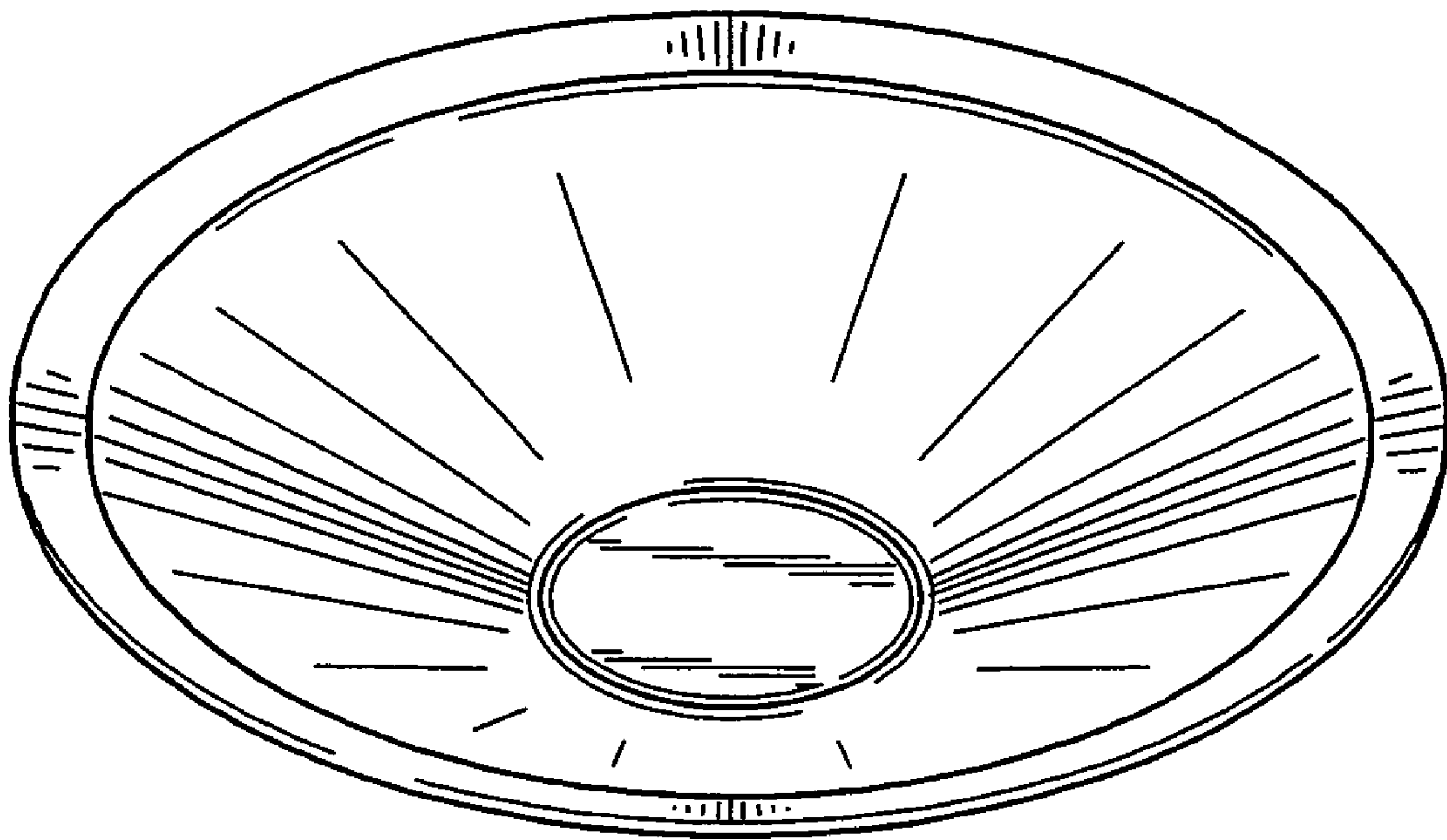


FIG. 1

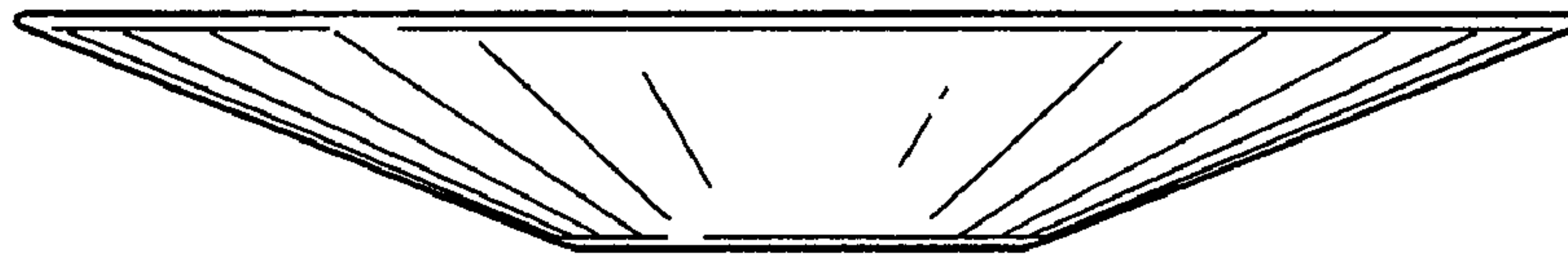


FIG. 2

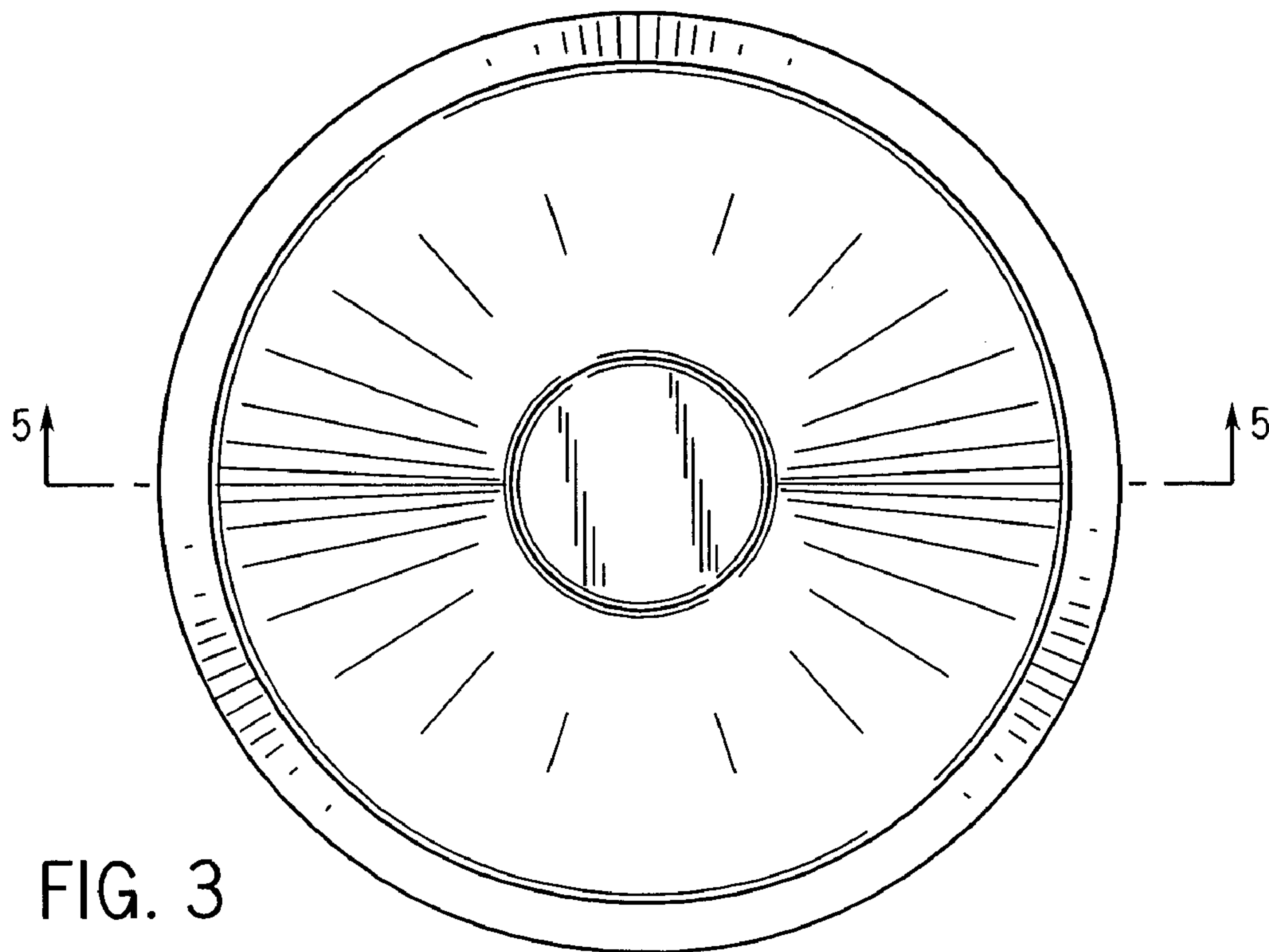


FIG. 3

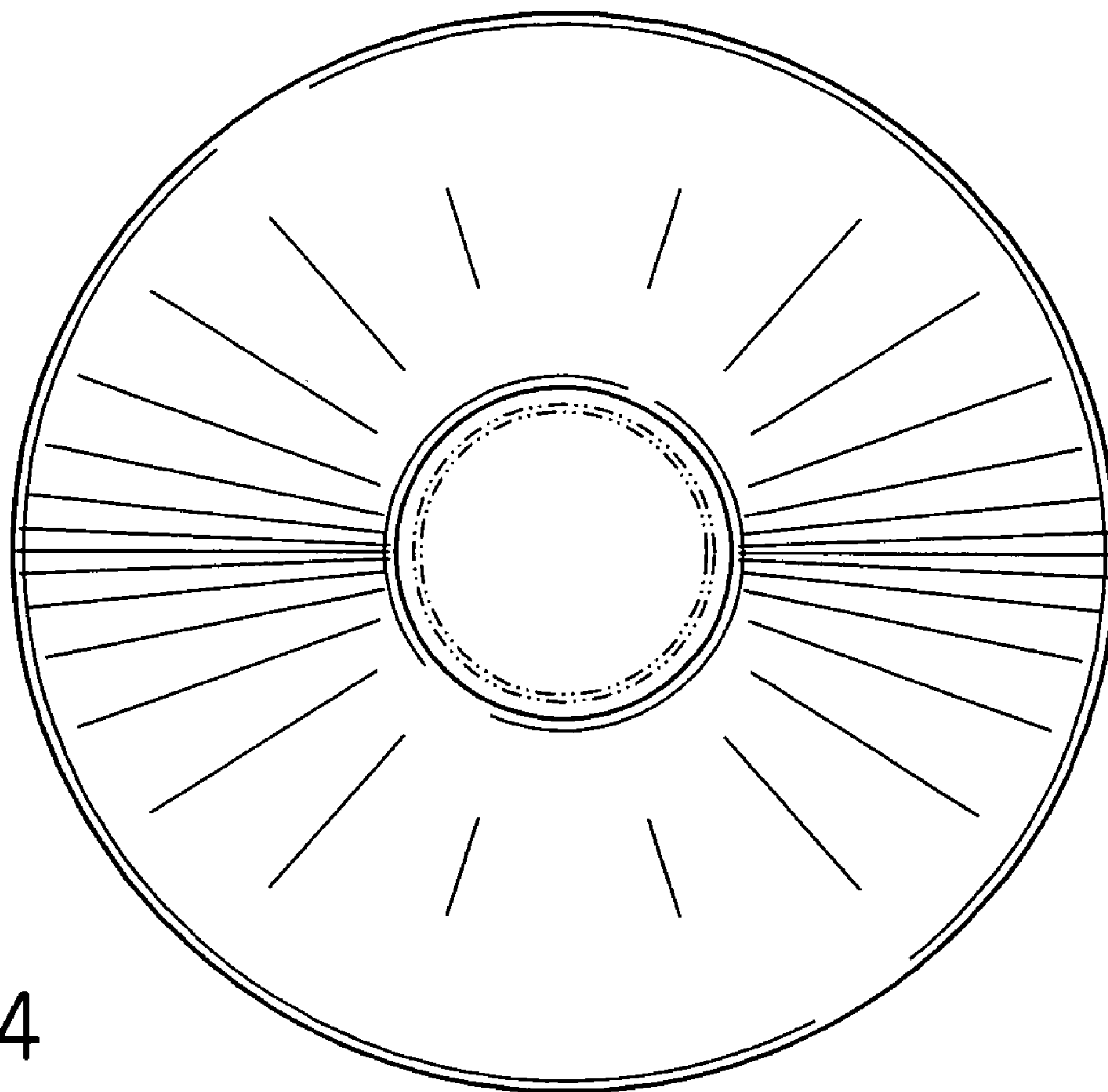


FIG. 4

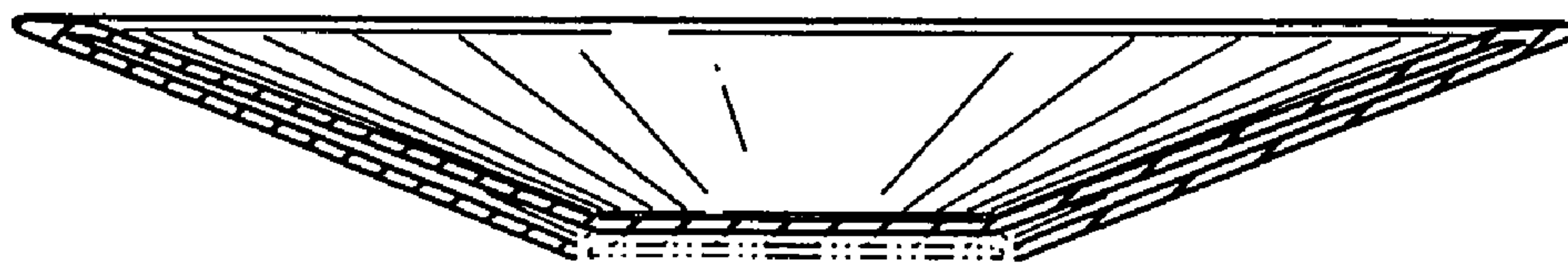


FIG. 5