

US00D548524S

(12) **United States Design Patent**
Meehan

(10) **Patent No.:** **US D548,524 S**

(45) **Date of Patent:** **** Aug. 14, 2007**

(54) **BEVERAGE MUG**

(75) Inventor: **Brian G. Meehan**, Fairfield, CT (US)

(73) Assignee: **Time Mug LLC**, Bridgeport, CT (US)

(**) Term: **14 Years**

(21) Appl. No.: **29/267,994**

(22) Filed: **Oct. 27, 2006**

(51) **LOC (8) Cl.** **07-01**

(52) **U.S. Cl.** **D7/507; D7/510; D7/533**

(58) **Field of Classification Search** D7/507,
D7/509-511, 533, 536; D9/551, 671; D24/197;
220/703, 705, 735, 710; 215/388; 222/129;
206/217, 541; D19/85; D10/6, 22, 1
See application file for complete search history.

D460,895 S *	7/2002	Lin	D7/533
D462,576 S	9/2002	Janky		
D469,308 S *	1/2003	Janky	D7/510
D471,764 S	3/2003	Janky	D7/510
D472,425 S *	4/2003	Hurlbut et al.	D7/510
D475,891 S	6/2003	Bin		
D477,185 S	7/2003	Janky		
6,588,593 B2	7/2003	Woskoski		
D482,933 S	12/2003	Norris et al.	D7/510
D484,743 S	1/2004	Furlong	D7/510
D486,996 S	2/2004	Karp	D7/510
D488,672 S	4/2004	Oas	D7/507
6,747,918 B2 *	6/2004	Hight et al.	368/10
D493,667 S	8/2004	Lipson	D7/515
D494,010 S *	8/2004	Yuen	D7/511
D508,186 S *	8/2005	Edelstein et al.	D7/510
D518,333 S *	4/2006	Gluck	D7/523
D523,692 S	6/2006	Meehan	D7/507
D529,763 S *	10/2006	Zerillo et al.	D7/533
D533,747 S *	12/2006	Jin	D7/510
D541,105 S *	4/2007	Jin	D7/510

(56) **References Cited**

U.S. PATENT DOCUMENTS

D65,799 S	10/1924	Trombly		
D80,965 S	3/1930	Brush		
1,796,398 A	3/1931	Richardson		
D94,618 S	2/1935	Miedel		
D185,991 S	8/1959	Loewy		
3,972,443 A	8/1976	Albert		
D253,214 S	10/1979	Wilson	D7/535
D314,308 S	2/1991	Cogswell		
D314,689 S	2/1991	Claudias		
5,201,431 A	4/1993	Berger et al.		
D337,056 S	7/1993	Medina et al.	D10/22
D349,244 S	8/1994	Hersch		
D365,523 S	12/1995	Schena		
D370,851 S	6/1996	Lage	D10/1
D377,905 S	2/1997	Lage	D10/6
D382,173 S	8/1997	Cogswell		
D384,860 S	10/1997	Trombly		
D387,093 S	12/1997	Liang	D19/85
D406,011 S *	2/1999	Hatsumoto et al.	D7/510
D421,364 S *	3/2000	Kristiansen et al.	D7/531
D442,030 S	5/2001	Freed		
D443,796 S	6/2001	Lin	D7/510
D454,756 S *	3/2002	Janky et al.	D7/510
RE37,773 E	7/2002	Trombly		

* cited by examiner

Primary Examiner—M. N. Pandozzi

(74) *Attorney, Agent, or Firm*—Renner, Kenner, Greive, Bobak, Taylor & Weber

(57) **CLAIM**

The ornamental design for a beverage mug, as shown and described.

DESCRIPTION

FIG. 1 is a top, front, right side perspective view of a beverage mug showing my new design;

FIG. 2 is a front elevational view thereof;

FIG. 3 is a rear elevational view thereof;

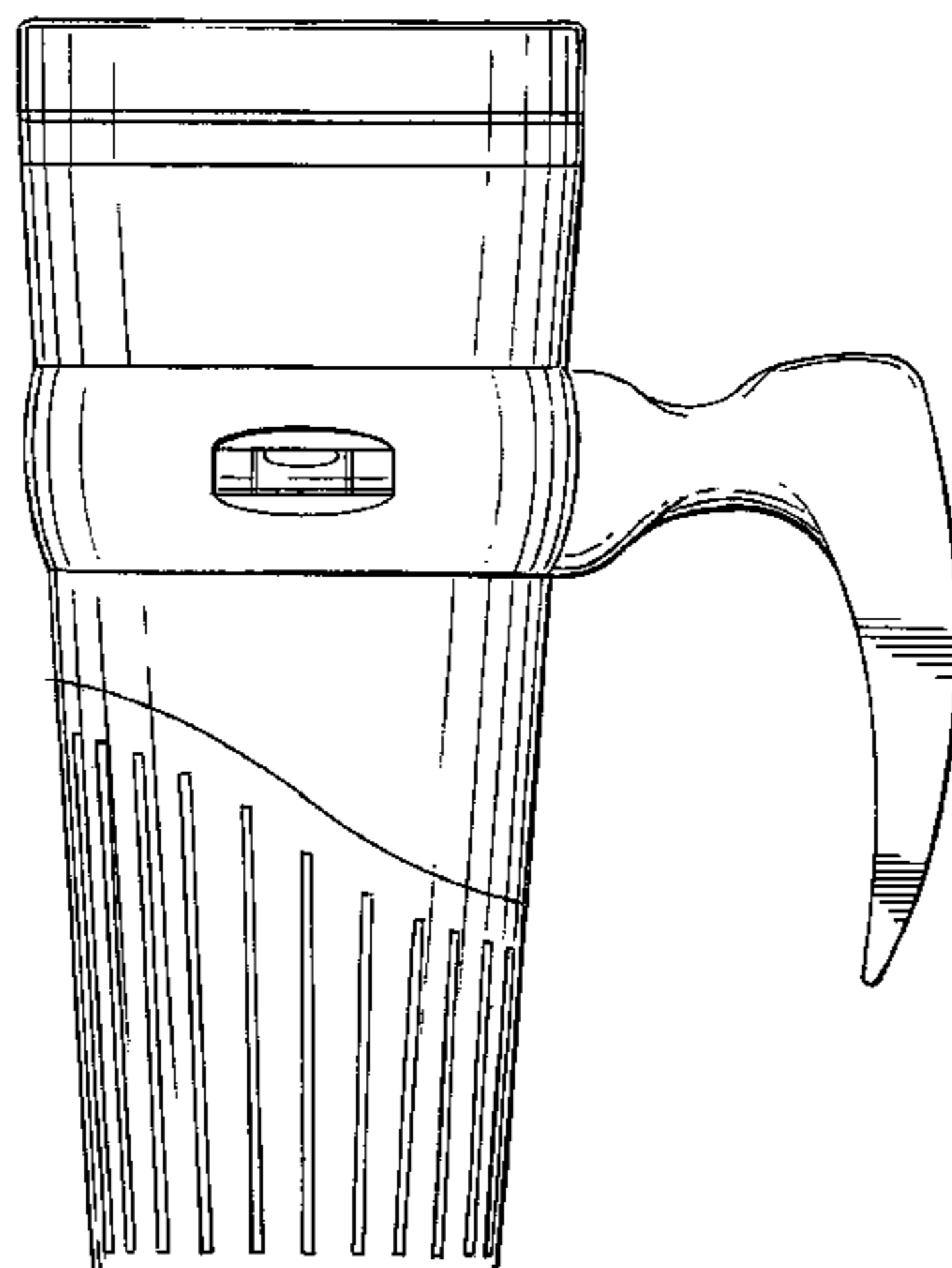
FIG. 4 is a right side elevational view thereof;

FIG. 5 is a left side elevational view thereof;

FIG. 6 is a top plan view thereof; and,

FIG. 7 is a bottom plan view thereof.

1 Claim, 6 Drawing Sheets



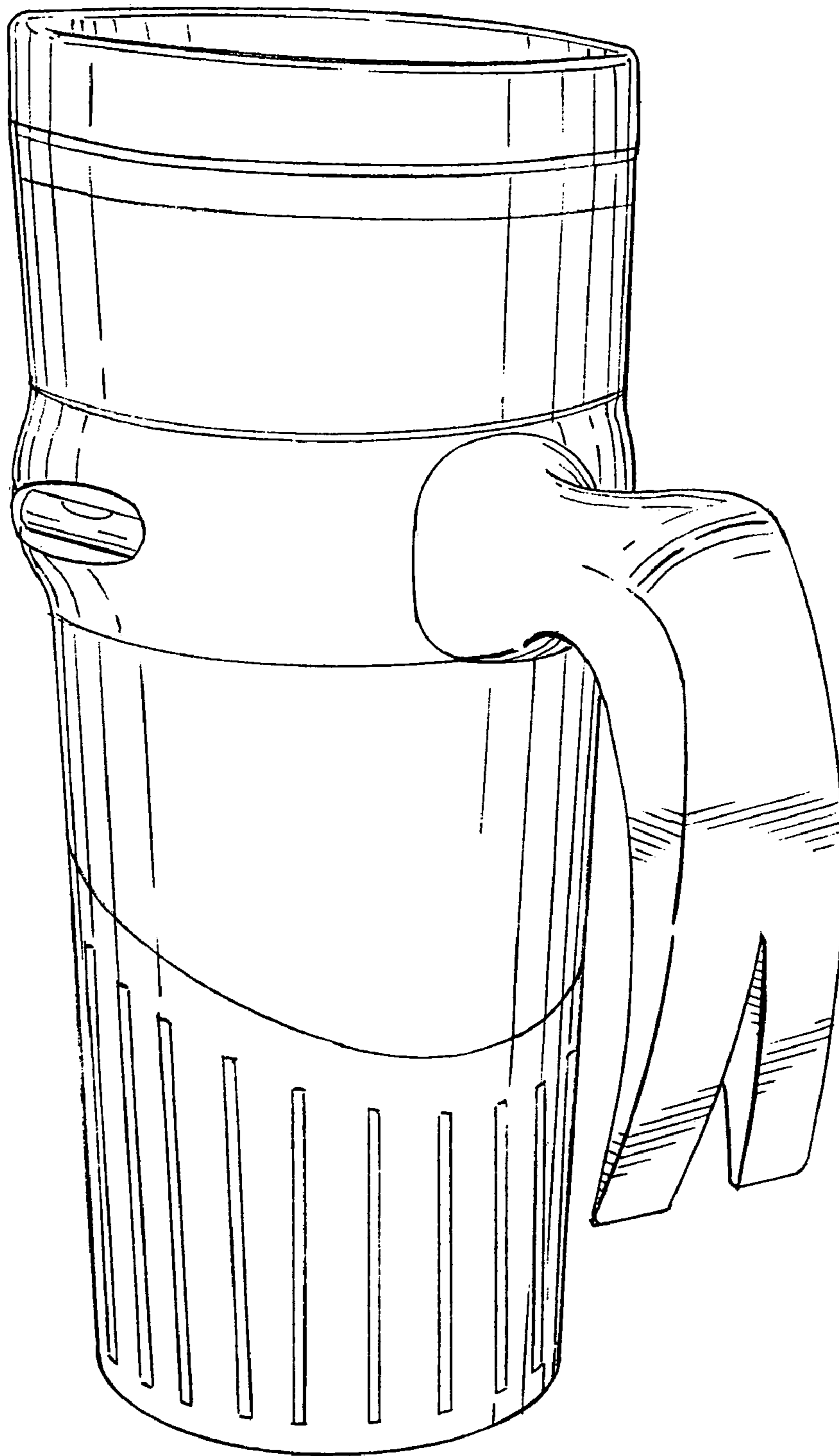


FIG. 1

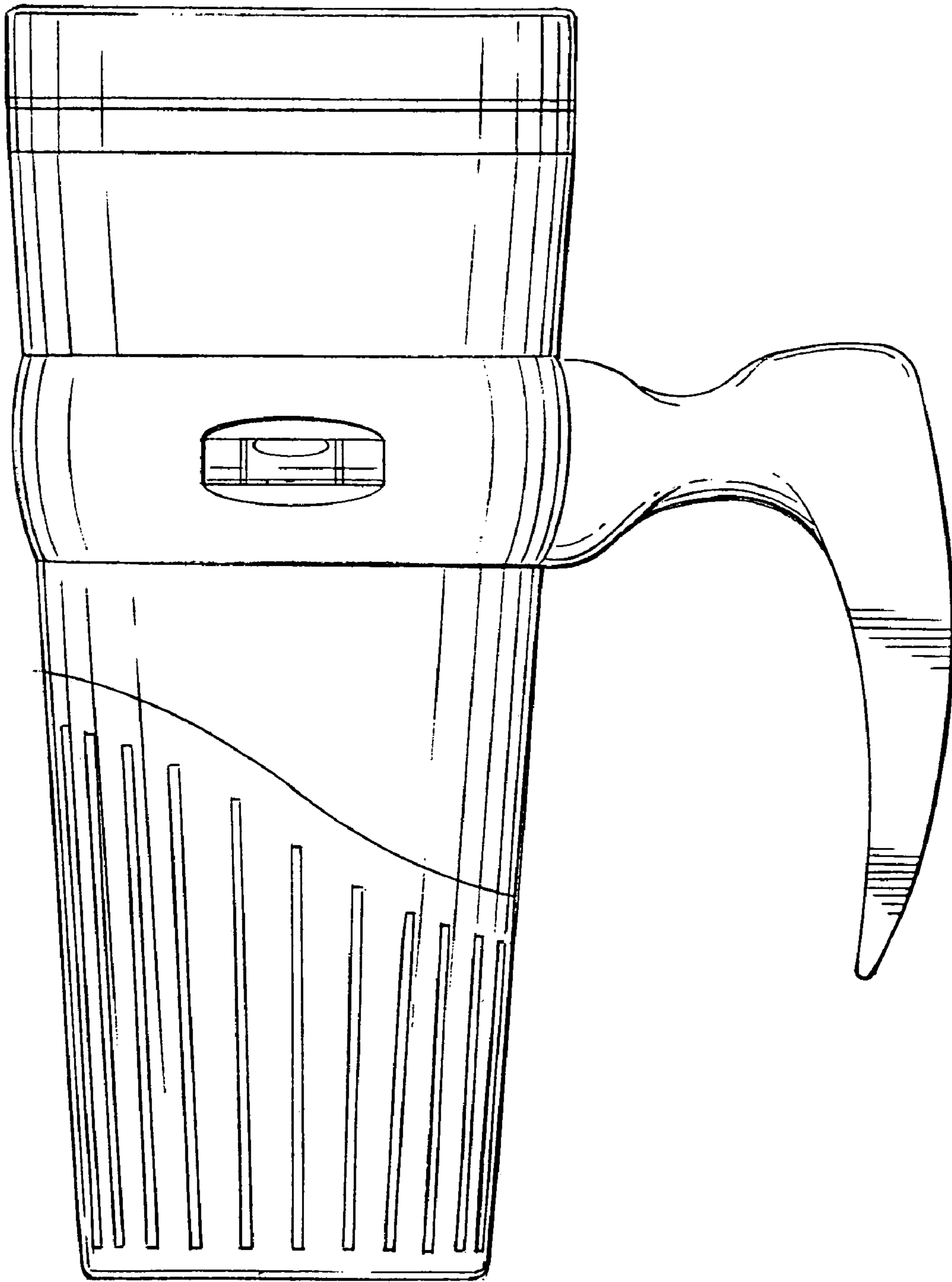


FIG. 2

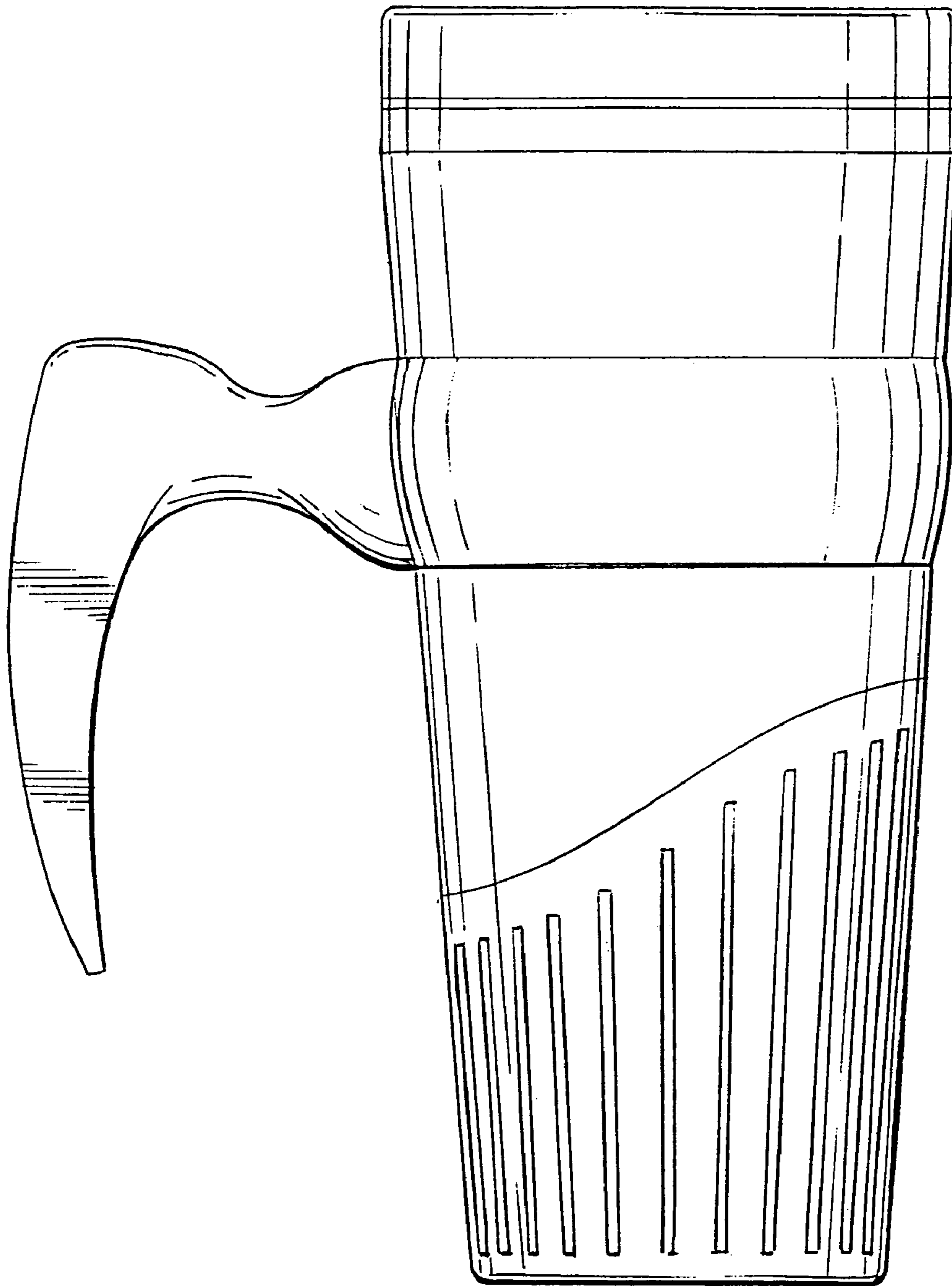


FIG. 3

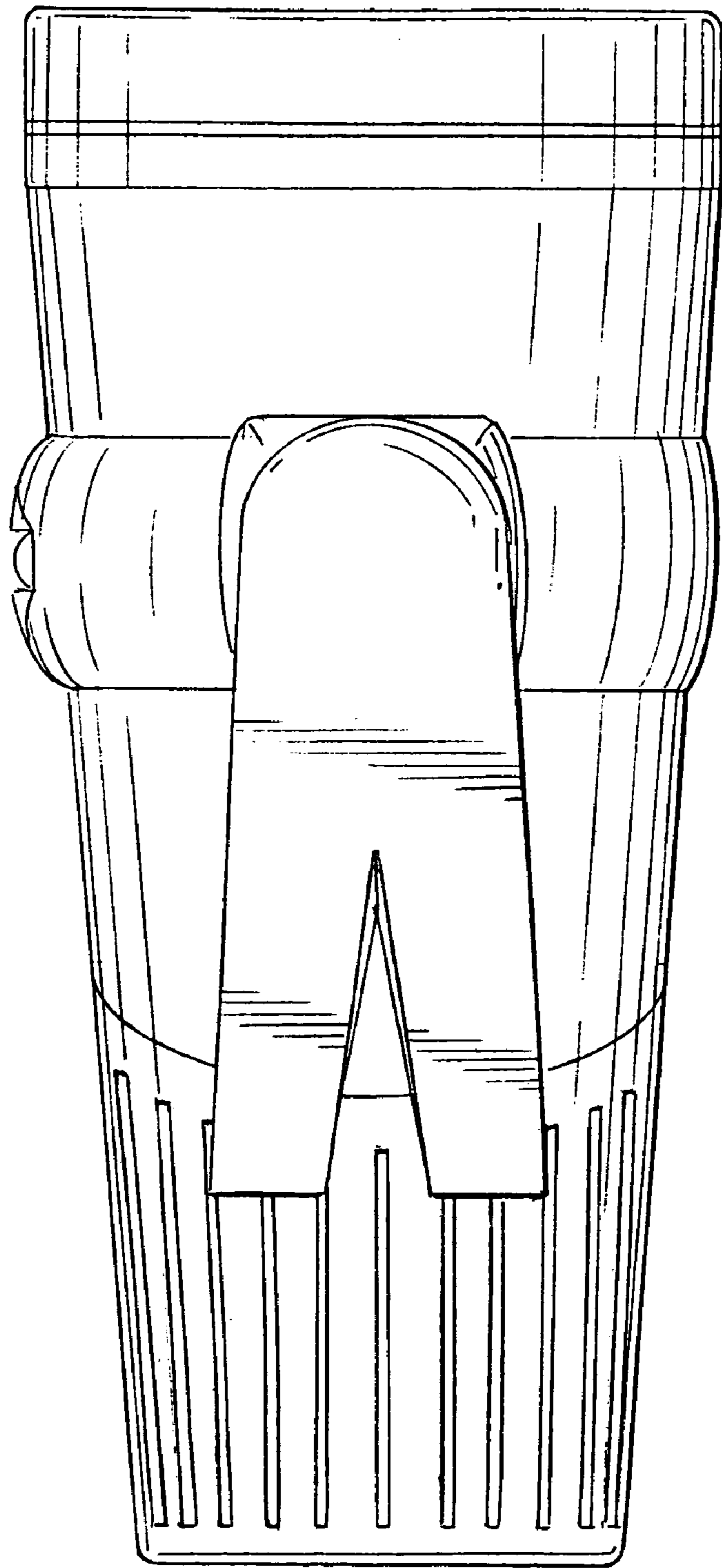


FIG. 4

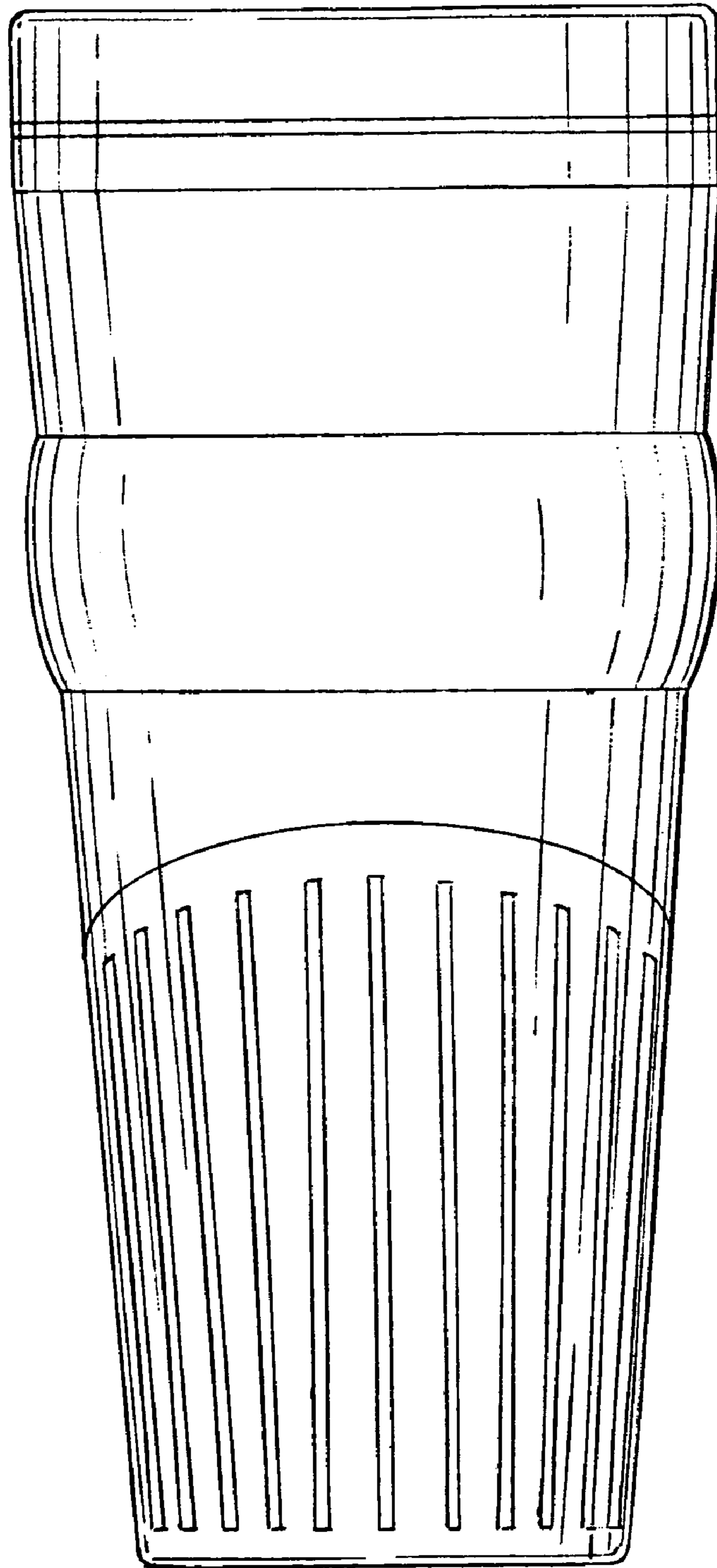


FIG. 5

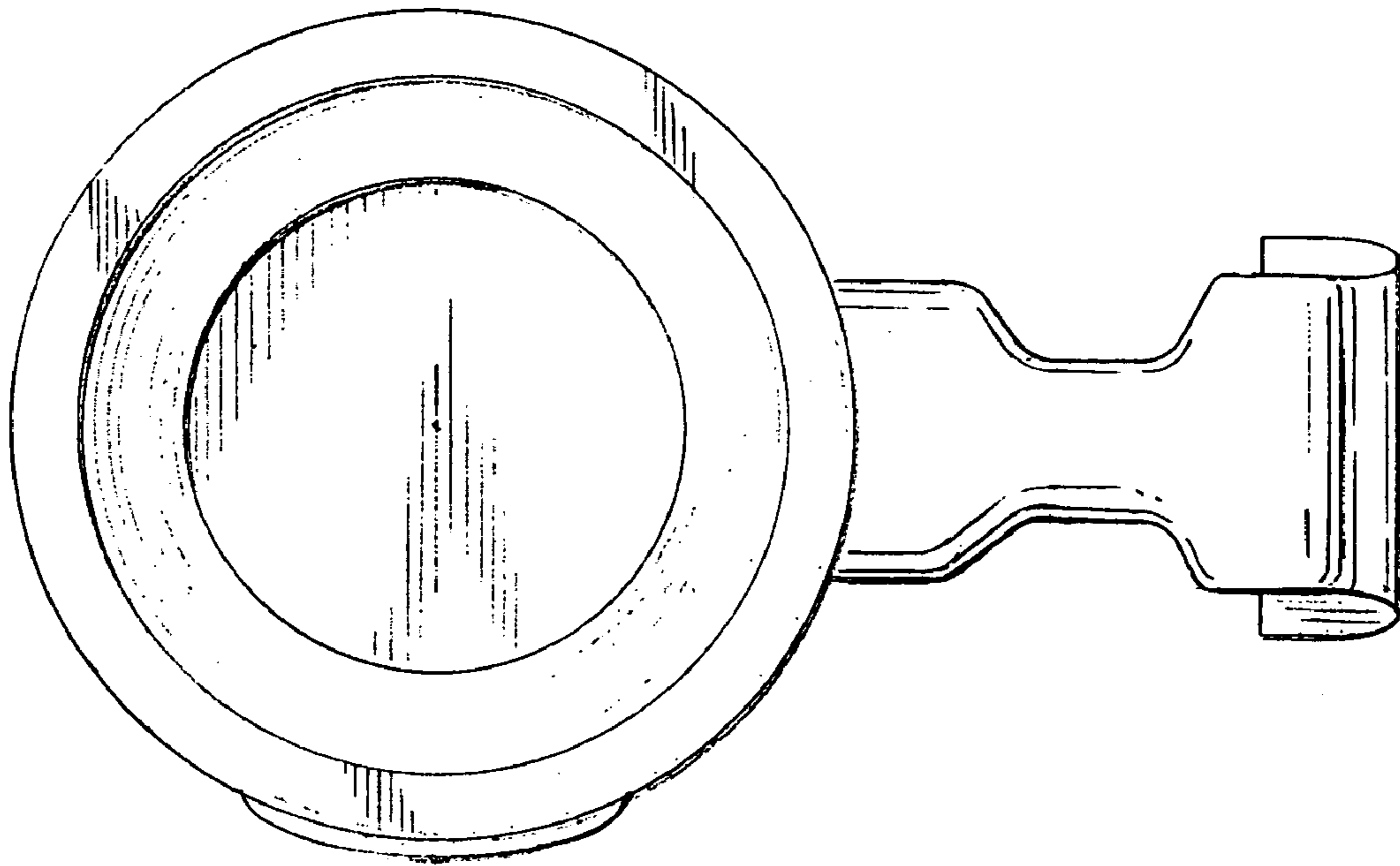


FIG. 6

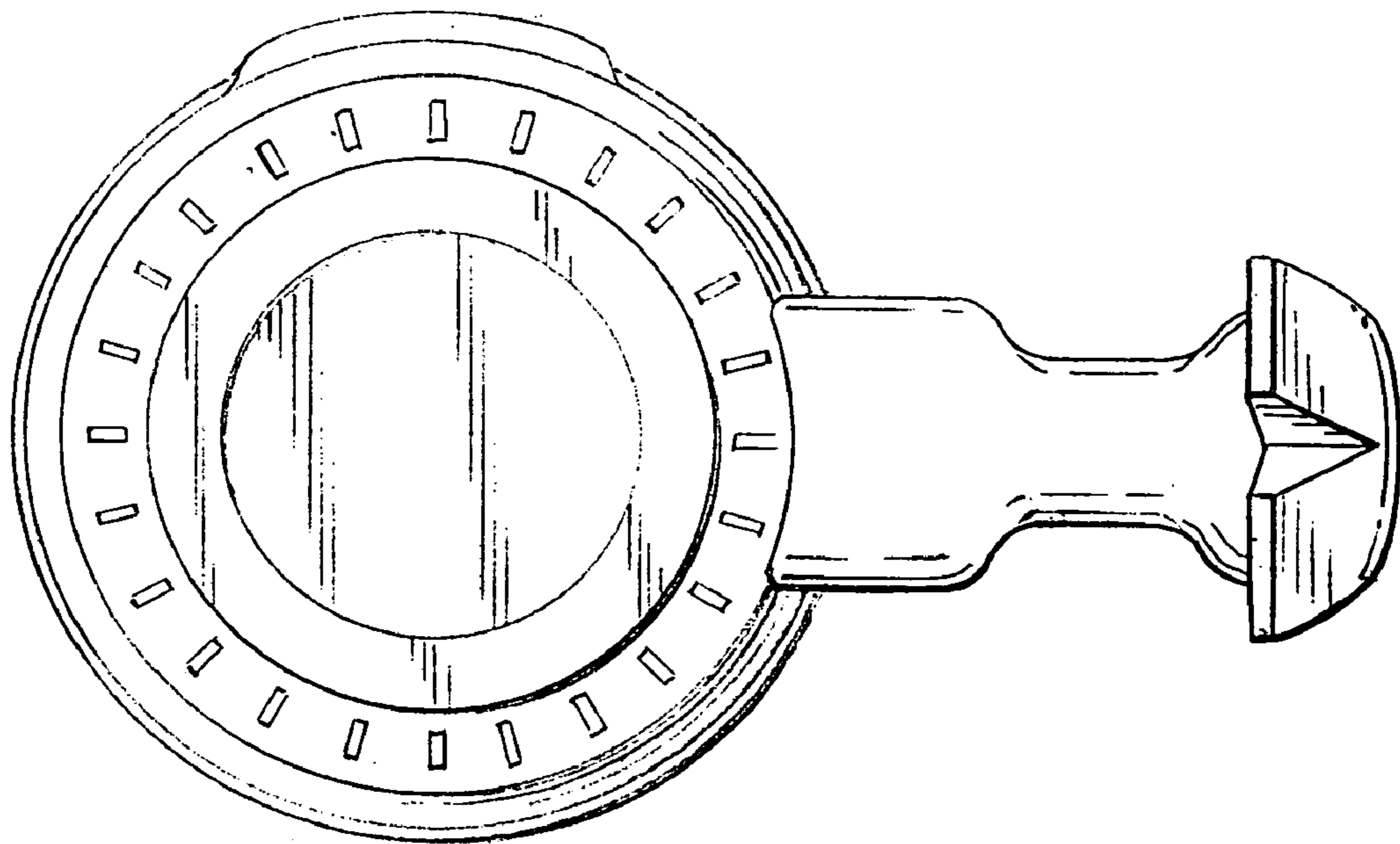


FIG. 7