

US00D548523S

(12) **United States Design Patent**
Greenspon

(10) **Patent No.:** **US D548,523 S**

(45) **Date of Patent:** **** Aug. 14, 2007**

(54) **DRINKING TUMBLER WITH STIRRING APPARATUS**

(76) Inventor: **David M. Greenspon**, 13175 Woodlands Pkwy., Clive, IA (US) 50325

(**) Term: **14 Years**

(21) Appl. No.: **29/203,018**

(22) Filed: **Apr. 8, 2004**

(51) **LOC (8) Cl.** **07-01**

(52) **U.S. Cl.** **D7/507; D7/511**

(58) **Field of Classification Search** D7/509, D7/510, 511, 523, 532, 533, 536, 507; 220/710.5, 220/715, 703, 592.16, 592.17; 366/314; 215/381, 387

See application file for complete search history.

(56) **References Cited**

U.S. PATENT DOCUMENTS

| | | | | | |
|-----------|-----|---------|---------------|-------|---------|
| 5,639,161 | A * | 6/1997 | Sirianni | | 366/314 |
| 5,692,830 | A * | 12/1997 | Costanzo | | 366/314 |
| 5,720,552 | A * | 2/1998 | Schindlegger | | 366/197 |
| 5,855,431 | A * | 1/1999 | Costanzo | | 366/199 |
| 5,918,761 | A * | 7/1999 | Wissinger | | 220/713 |
| D417,365 | S * | 12/1999 | Huang | | D7/511 |
| D420,254 | S * | 2/2000 | Park | | D7/510 |
| D462,578 | S * | 9/2002 | Janky | | D7/533 |
| D466,371 | S * | 12/2002 | Parker | | D7/510 |
| D480,918 | S * | 10/2003 | Belton et al. | | D7/533 |
| D483,997 | S * | 12/2003 | Copeland | | D7/536 |

| | | | | | |
|-----------|------|---------|----------------|-------|---------|
| D488,672 | S * | 4/2004 | Oas | | D7/507 |
| D492,157 | S * | 6/2004 | Bodum | | D7/510 |
| D493,068 | S * | 7/2004 | Slater et al. | | D7/510 |
| 6,852,954 | B1 * | 2/2005 | Liu et al. | | 219/436 |
| 6,864,462 | B2 * | 3/2005 | Sanoner et al. | | 219/387 |
| D507,458 | S * | 7/2005 | Allen et al. | | D7/532 |
| D511,653 | S * | 11/2005 | Oas | | D7/507 |
| 6,962,432 | B2 * | 11/2005 | Hofeldt | | 366/118 |
| D512,269 | S * | 12/2005 | Trombly | | D7/510 |
| 6,979,117 | B2 * | 12/2005 | Dickson, Jr. | | 366/205 |

* cited by examiner

Primary Examiner—M. N. Pandozzi

(74) *Attorney, Agent, or Firm*—G. Brian Pingel; Camille L. Urban; Adam W. Jones

(57) **CLAIM**

The ornamental design for a drinking tumbler with stirring apparatus, as shown and described.

DESCRIPTION

FIG. 1 is a top front perspective view of a drinking mug with stirring apparatus showing my new design;

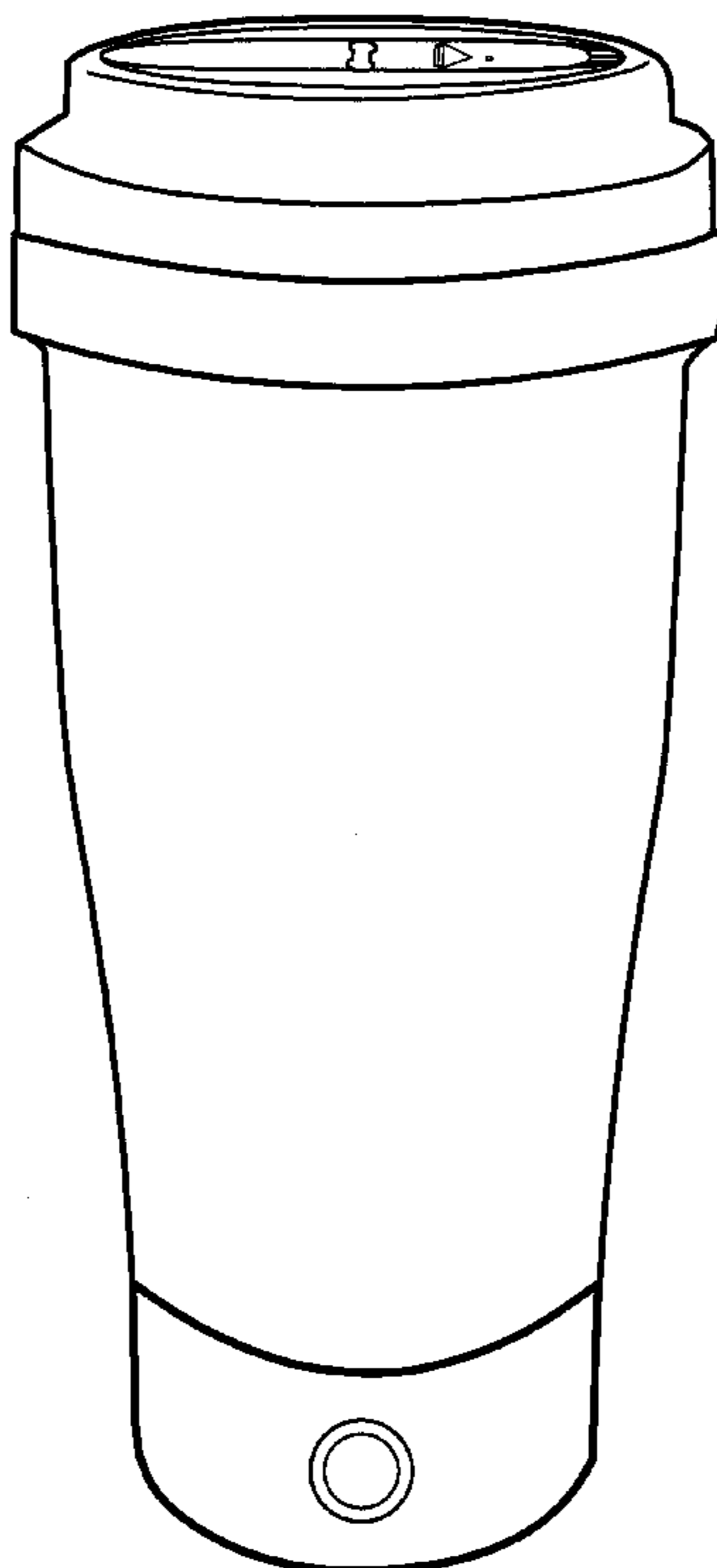
FIG. 2 an enlarged top plan view thereof;

FIG. 3 is a bottom view of the embodiment of FIG. 1;

FIG. 4 is an exploded cross sectional view taken along line 4—4 of FIG. 5; and,

FIG. 5 is an enlarged plan view thereof with the lid removed for ease of illustration.

1 Claim, 5 Drawing Sheets



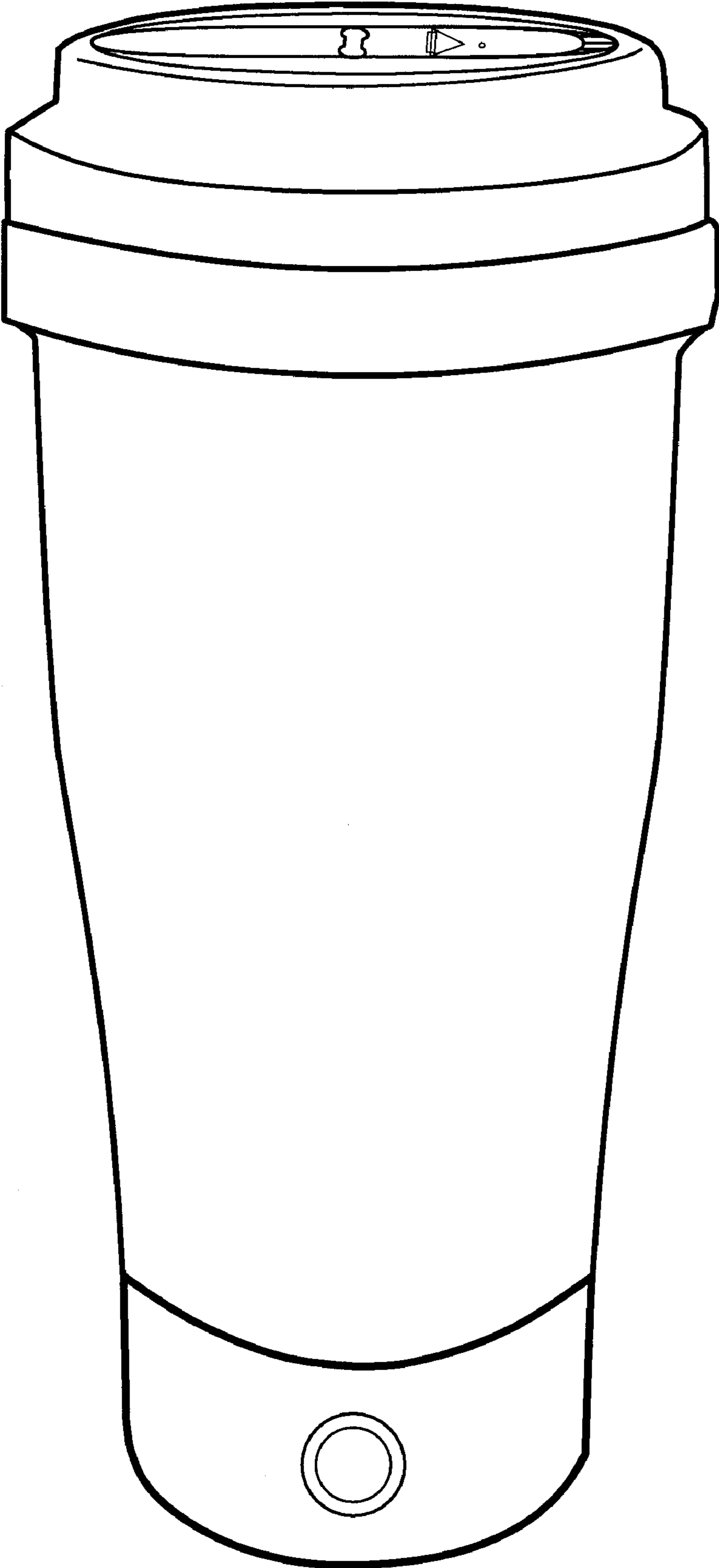


Fig. 1

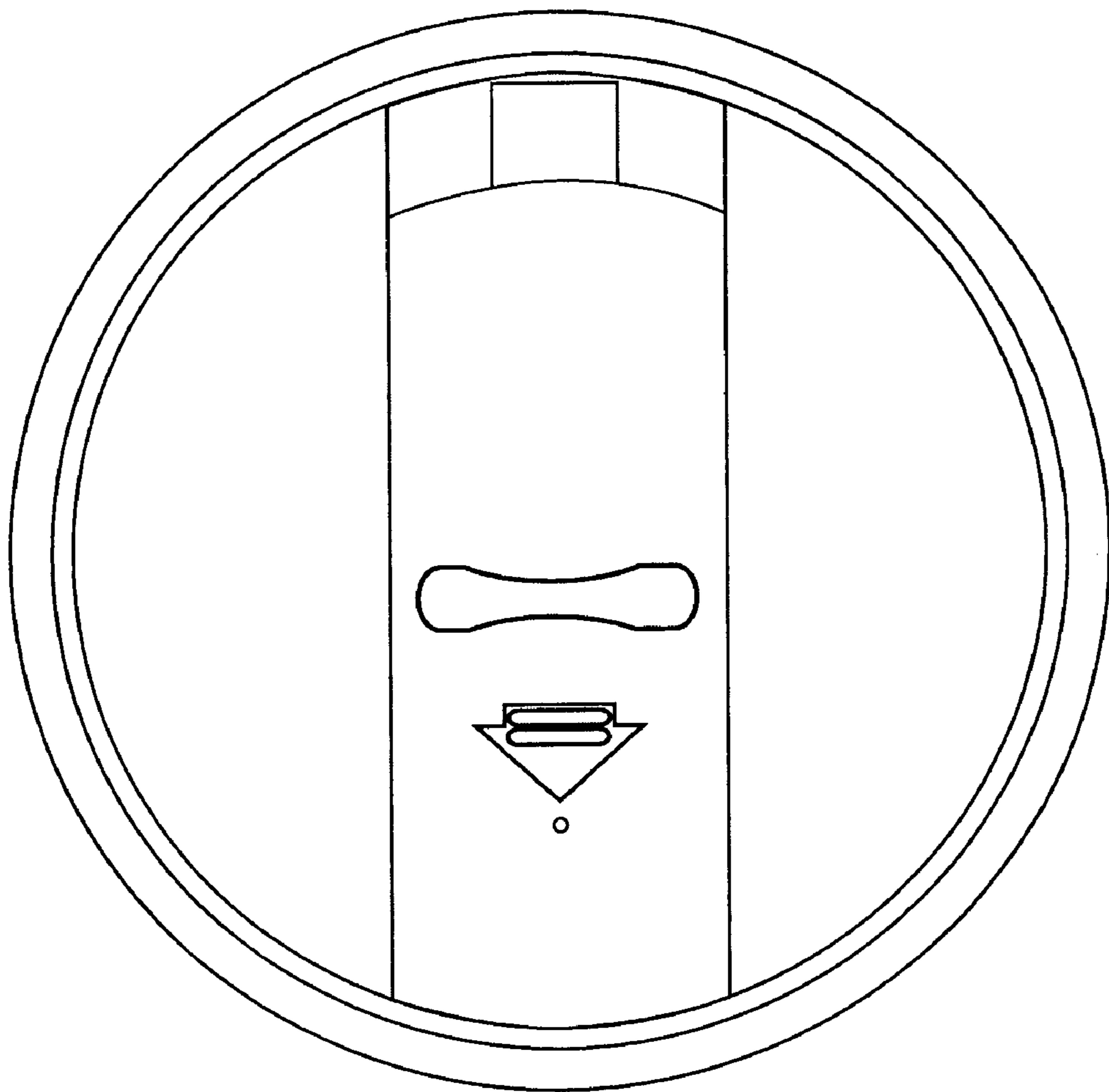


Fig. 2

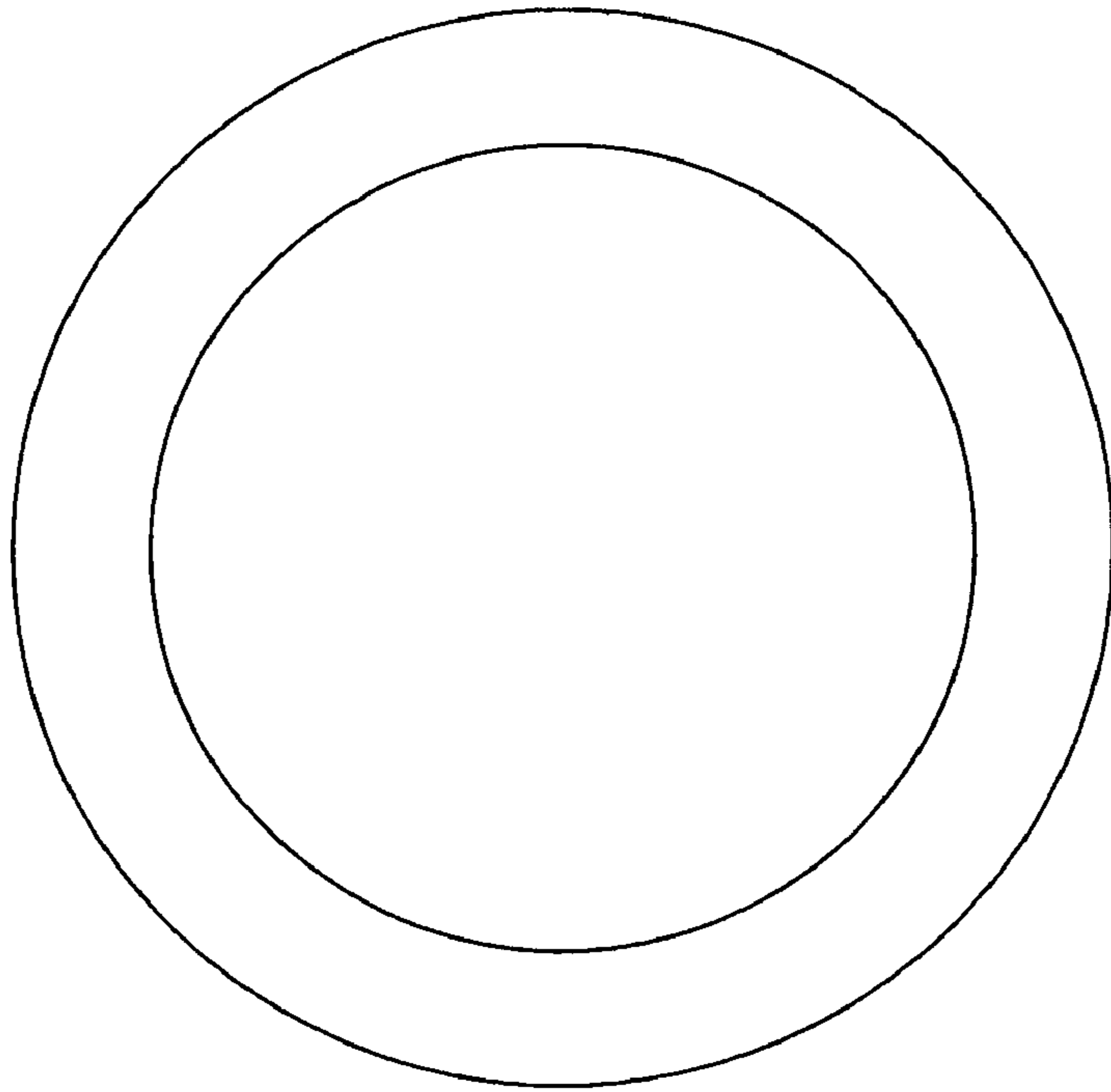


Fig. 3

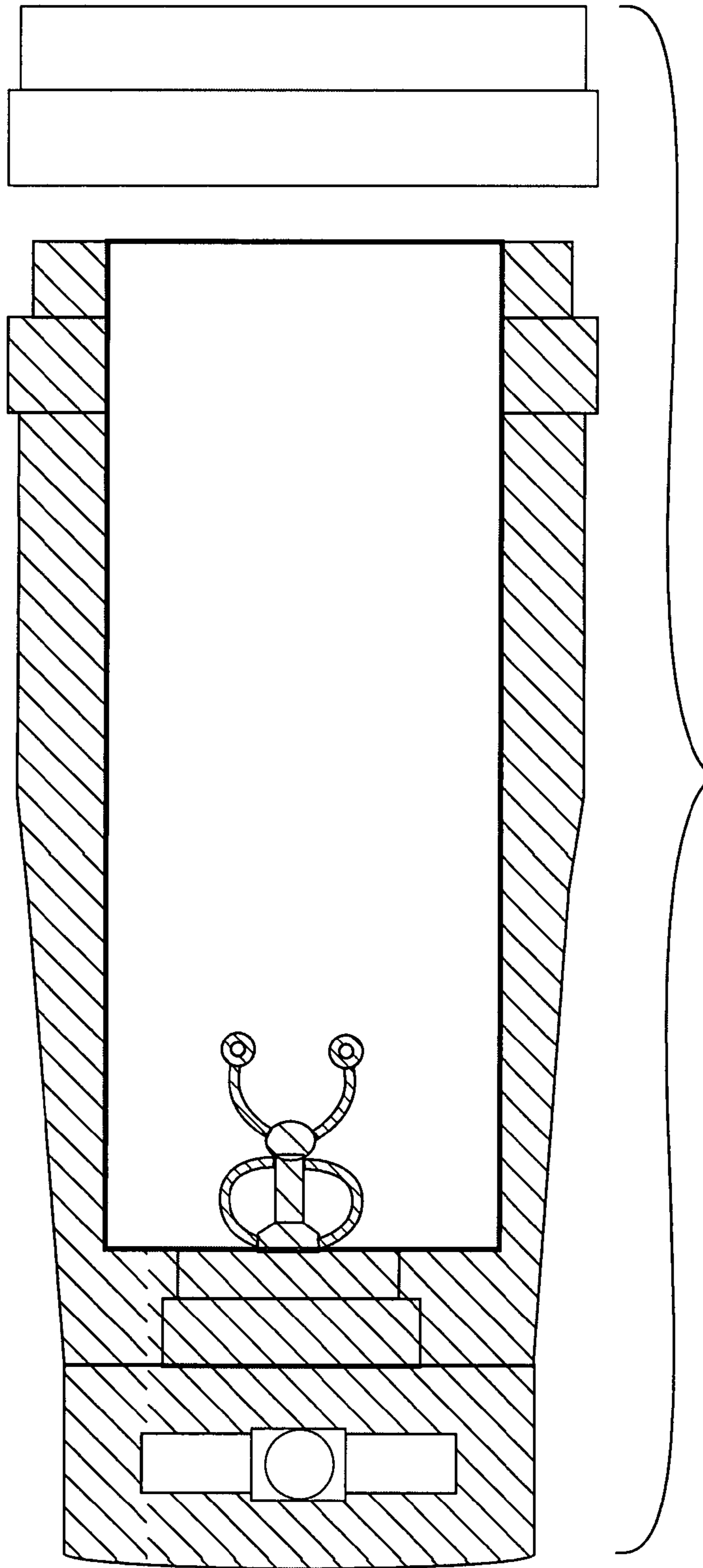


Fig. 4

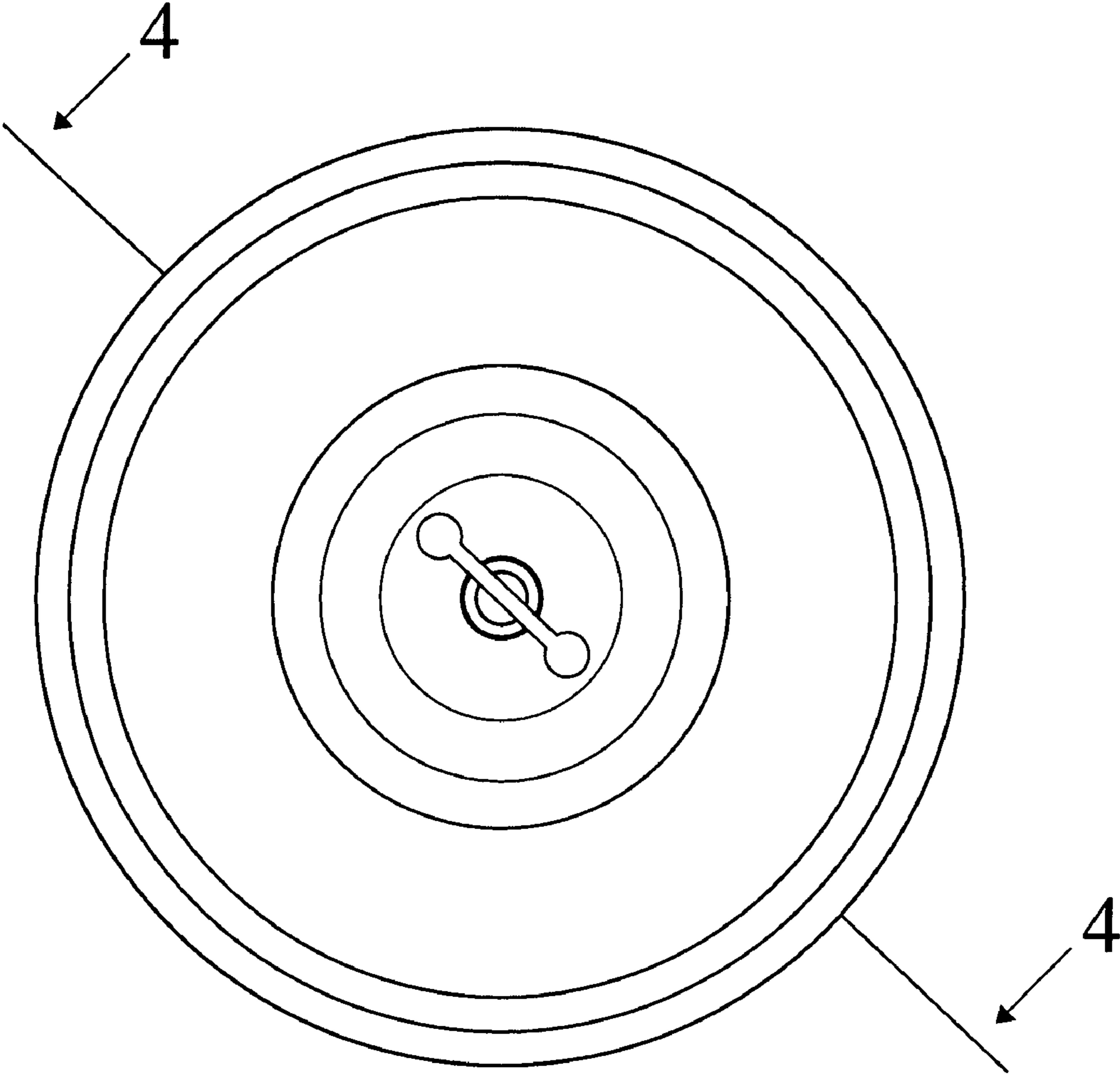


Fig. 5