



US00D548522S

(12) **United States Design Patent**
Greenspon

(10) **Patent No.:** **US D548,522 S**

(45) **Date of Patent:** **** Aug. 14, 2007**

(54) **DRINKING MUG WITH STIRRING APPARATUS**

(76) Inventor: **David M. Greenspon**, 13175 Woodlands Pkwy., Clive, IA (US) 50325

(**) Term: **14 Years**

(21) Appl. No.: **29/203,017**

(22) Filed: **Apr. 8, 2004**

(51) **LOC (8) Cl.** **07-01**

(52) **U.S. Cl.** **D7/507; D7/533; D7/511**

(58) **Field of Classification Search** D7/509, D7/510, 511, 523, 532, 533, 536, 507; 220/710.5, 220/715, 703, 592.16, 592.17; 366/314; 215/387, 381

See application file for complete search history.

(56) **References Cited**

U.S. PATENT DOCUMENTS

5,639,161	A *	6/1997	Sirianni	366/314
5,692,830	A *	12/1997	Costanzo	366/314
5,720,552	A *	2/1998	Schindlegger	366/197
5,855,431	A *	1/1999	Costanzo	366/199
5,918,761	A *	7/1999	Wissinger	220/713
D417,365	S *	12/1999	Huang	D7/511
D420,254	S *	2/2000	Park	D7/510
D462,578	S *	9/2002	Janky	D7/533
D466,371	S *	12/2002	Parker	D7/510
D480,918	S *	10/2003	Belton et al.	D7/533
D483,997	S *	12/2003	Copeland	D7/536

D488,672	S *	4/2004	Oas	D7/507
D492,157	S *	6/2004	Bodum	D7/510
D493,068	S *	7/2004	Slater et al.	D7/510
6,852,954	B1 *	2/2005	Liu et al.	219/436
6,864,462	B2 *	3/2005	Sanoner et al.	219/387
D507,458	S *	7/2005	Allen et al.	D7/532
D511,653	S *	11/2005	Oas	D7/507
6,962,432	B2 *	11/2005	Hofeldt	366/118
D512,269	S *	12/2005	Trombly	D7/510
6,979,117	B2 *	12/2005	Dickson, Jr.	366/205

* cited by examiner

Primary Examiner—M. N. Pandozzi

(74) *Attorney, Agent, or Firm*—G. Brian Pingel; Camille L. Urban; Adam W. Jones

(57) **CLAIM**

The ornamental design for a drinking mug with stirring apparatus, as shown and described.

DESCRIPTION

FIG. 1 is a top front perspective view of a drinking mug with stirring apparatus showing my new design;

FIG. 2 is an enlarged top plan view thereof, where the lid is rotated 90 degrees from that shown FIG. 1;

FIG. 3 is a bottom plan view of FIG. 1;

FIG. 4 is an exploded cross-sectional view taken along 4-4 of FIG. 1; and,

FIG. 5 is an enlarged plan view thereof with the lid removed for ease of illustration.

1 Claim, 5 Drawing Sheets

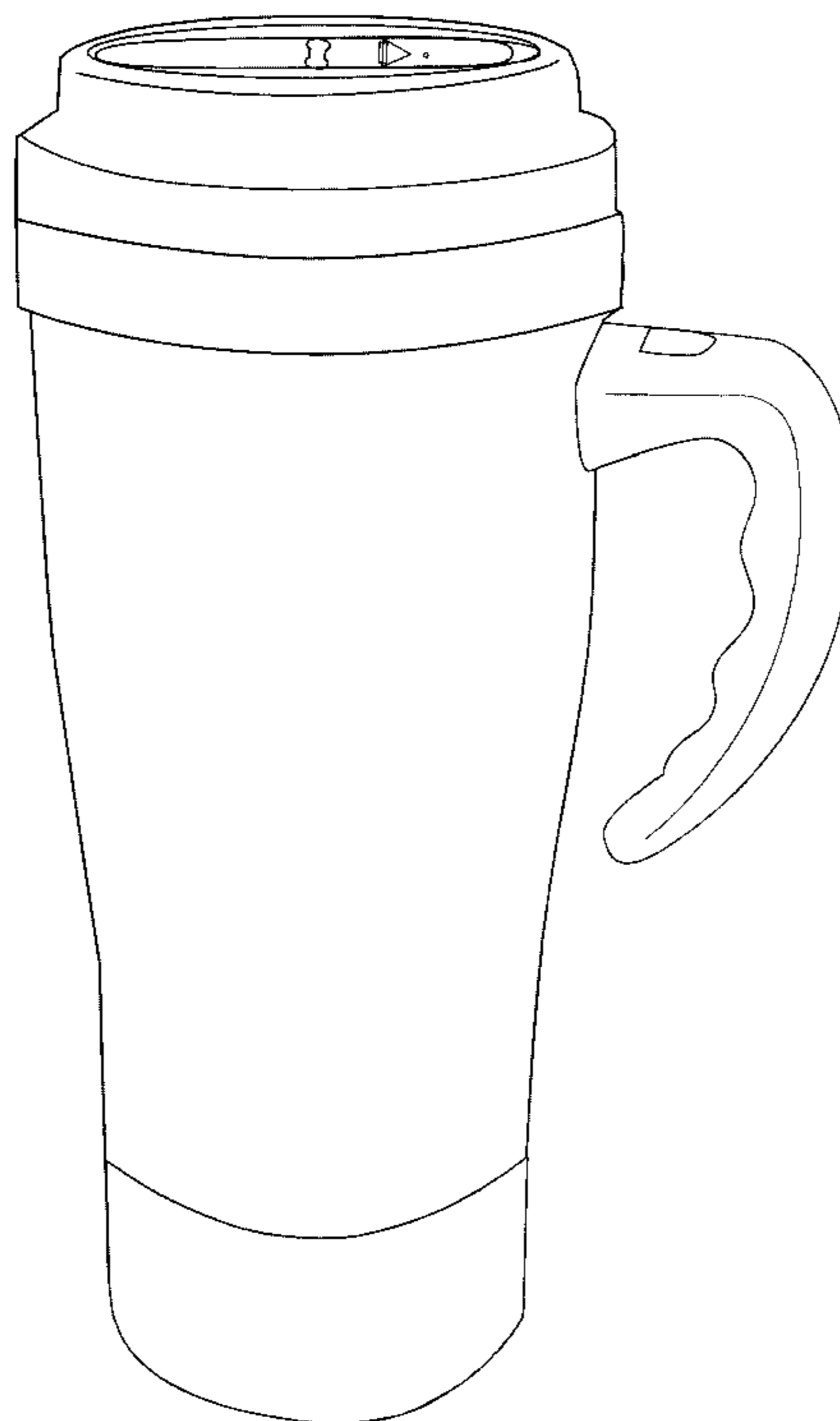




Fig. 1

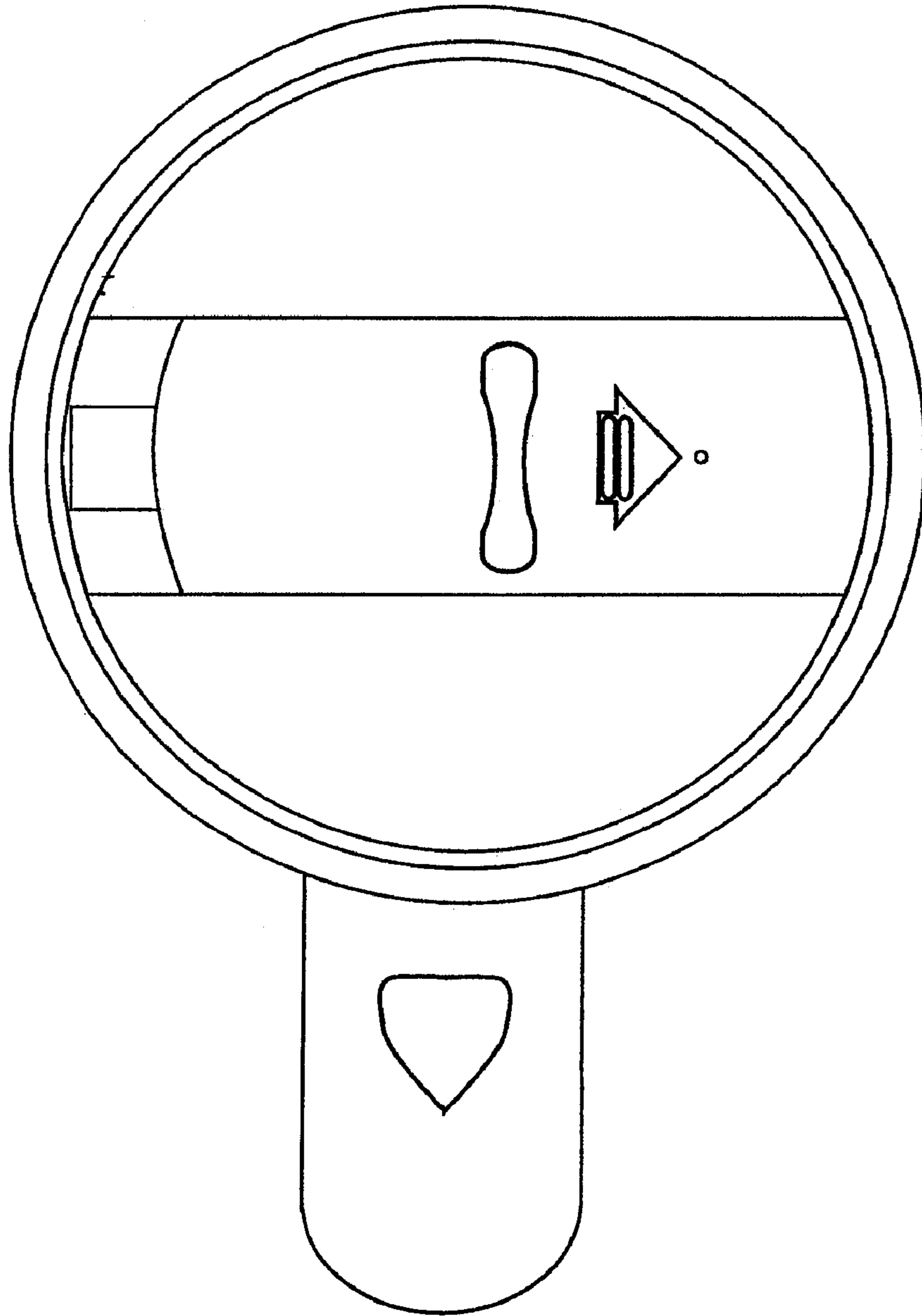


Fig. 2

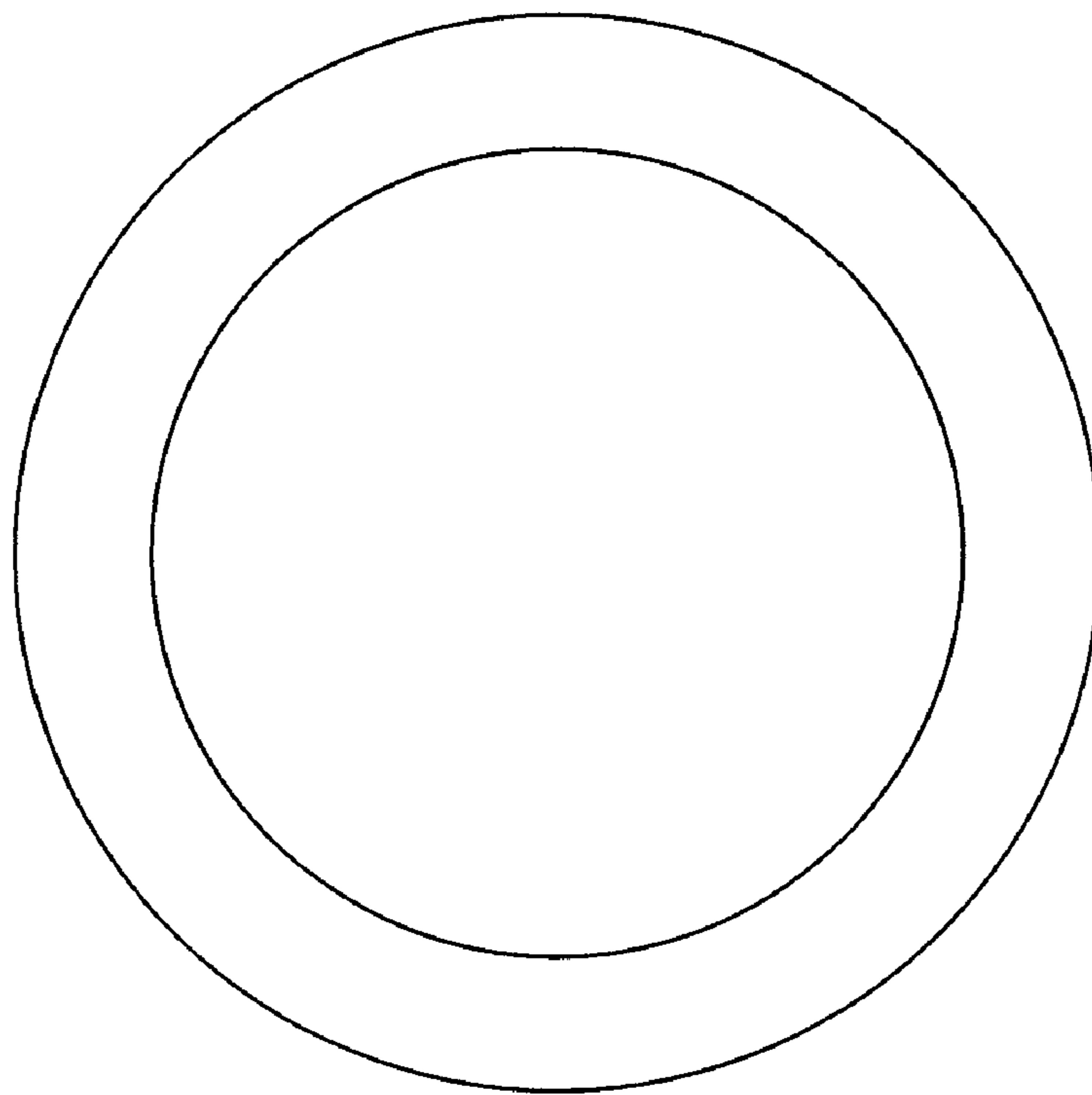


Fig. 3

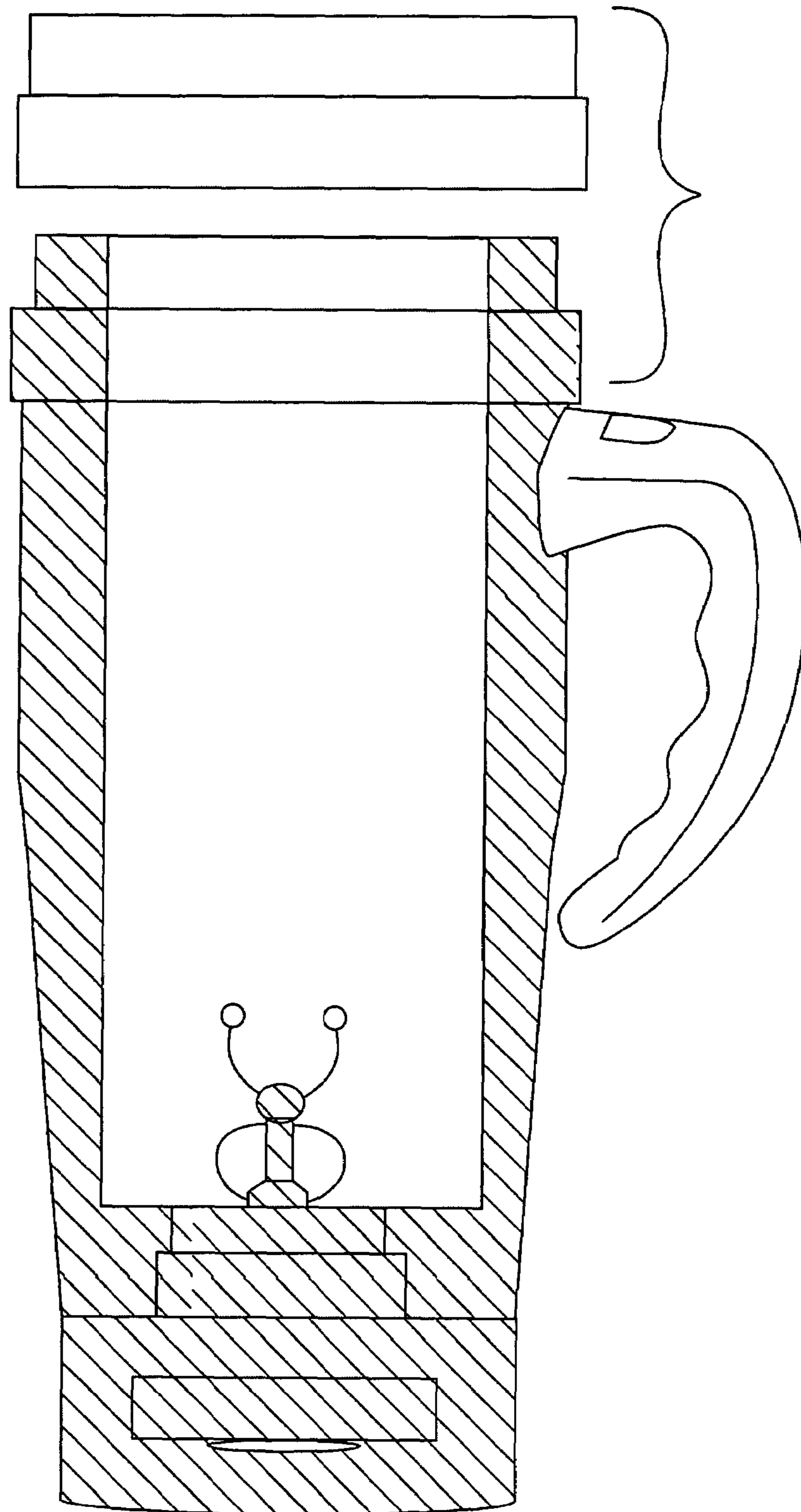


Fig. 4

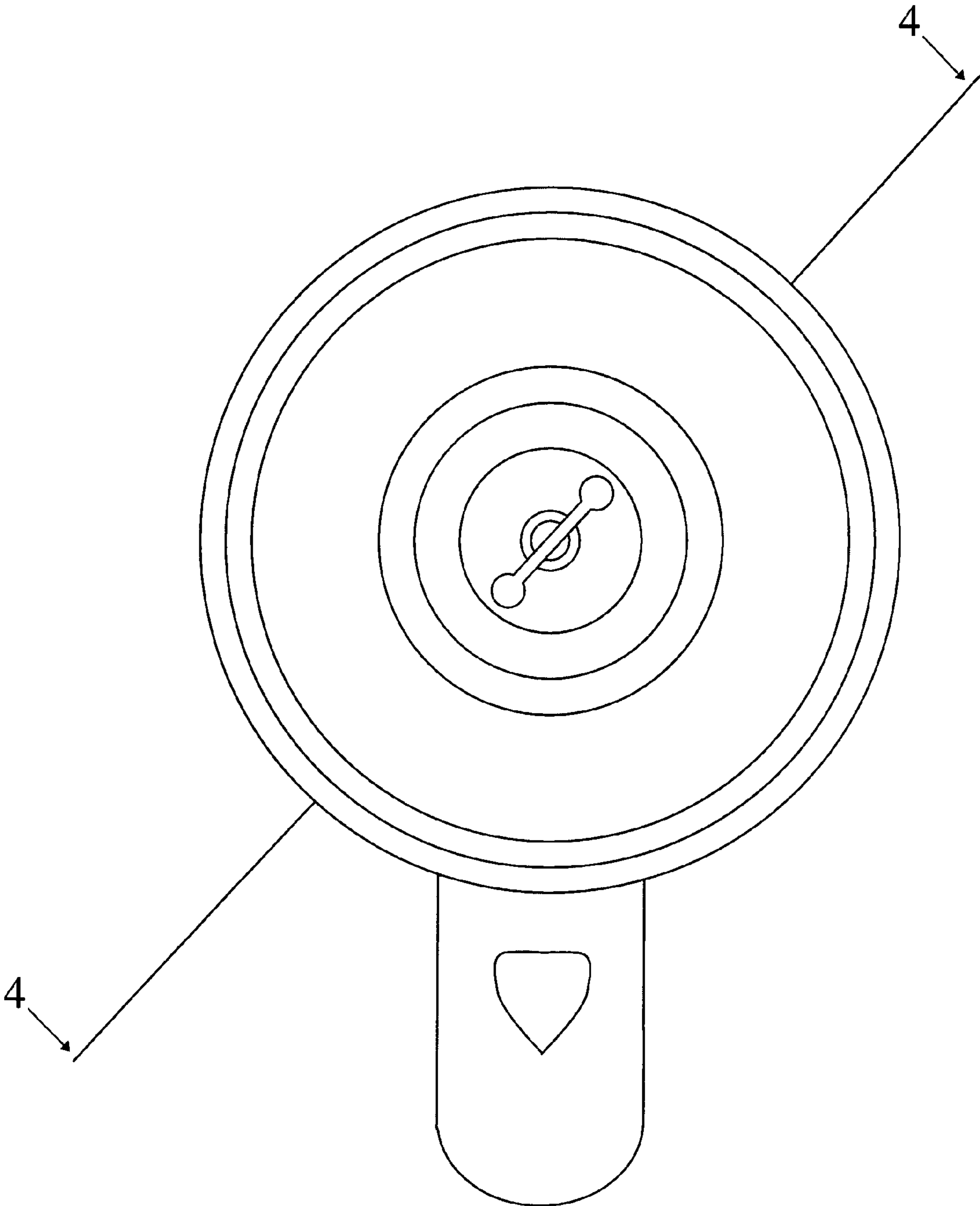


Fig. 5