



US00D548521S

(12) **United States Design Patent**
Palm et al.

(10) **Patent No.:** **US D548,521 S**

(45) **Date of Patent:** **** Aug. 14, 2007**

(54) **OFF-CENTER OPENING FOR A TEAKETTLE**

(75) Inventors: **William J. Palm**, Newtonville, MA (US); **Gregg Flender**, Bedford, MA (US); **James Wilson**, Norwood, MA (US); **John Costello**, Wellesley, MA (US)

(73) Assignee: **WKI Holding Company, Inc.**, Reston, VA (US)

(**) Term: **14 Years**

(21) Appl. No.: **29/210,104**

(22) Filed: **Jul. 27, 2004**

(51) **LOC (8) Cl.** **07-01**

(52) **U.S. Cl.** **D7/399; D7/391**

(58) **Field of Classification Search** D7/393, D7/399, 395, 322, 321, 397, 398, 612, 391; D8/300, 302, 303, 307, 308; D23/250-254; 222/465.1, 473, 475, 756, 469, 472; 126/390.1, 126/385.1; 220/592.28, 263; D9/443
See application file for complete search history.

(56) **References Cited**

U.S. PATENT DOCUMENTS

1,173,989 A * 2/1916 Thalman et al. 220/263

D352,419 S * 11/1994 Lin D7/322
D406,720 S * 3/1999 Strum et al. D7/302
D436,788 S * 1/2001 Strum et al. D7/302
D448,239 S * 9/2001 Ide et al. D7/399
D448,963 S * 10/2001 Shim D7/322

* cited by examiner

Primary Examiner—M. N. Pandozzi

(74) *Attorney, Agent, or Firm*—Wolf, Greenfield & Sacks, P.C.

(57) **CLAIM**

The ornamental design for a off-center opening for a teakettle, as shown and described.

DESCRIPTION

FIG. 1 is a side top perspective view of an off-center opening for a teakettle, showing our new design;

FIG. 2 is a top view thereof;

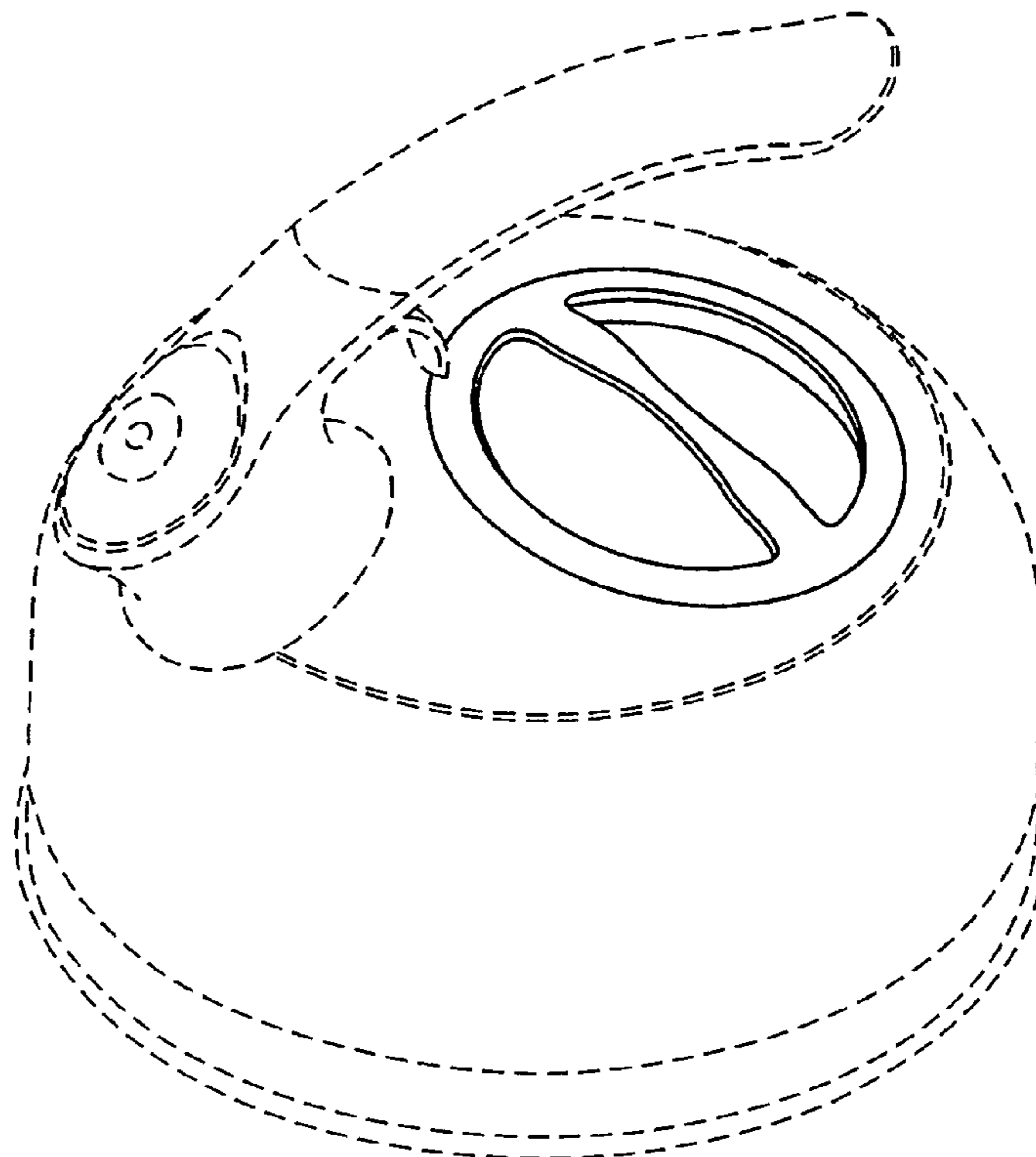
FIG. 3 is a front view thereof;

FIG. 4 is a side view thereof; and,

FIG. 5 is a rear view thereof.

The broken lines in the drawings are for illustrative purposes only and form no part of the claimed design.

1 Claim, 3 Drawing Sheets



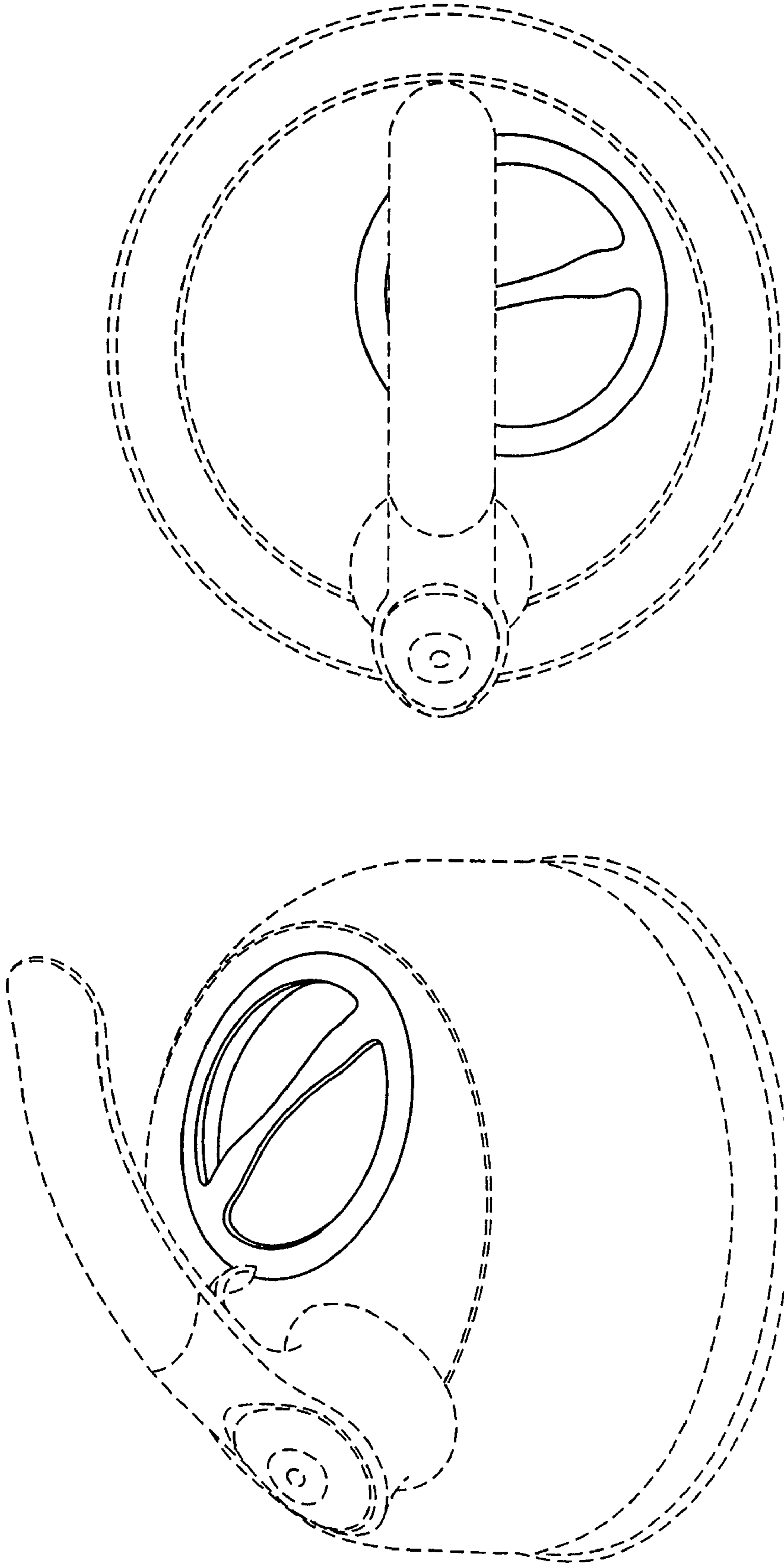


FIG. 2

FIG. 1

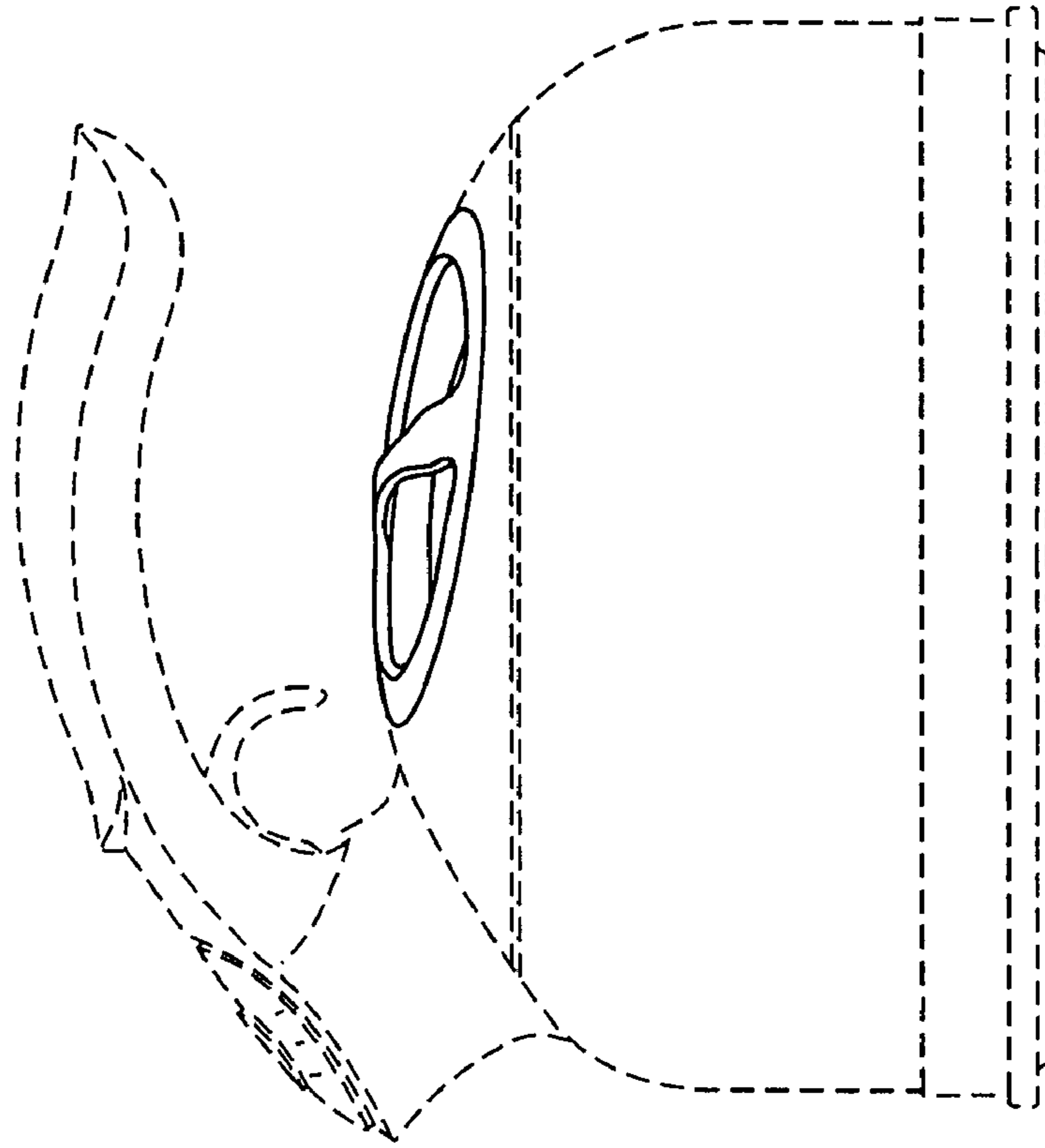


FIG. 4

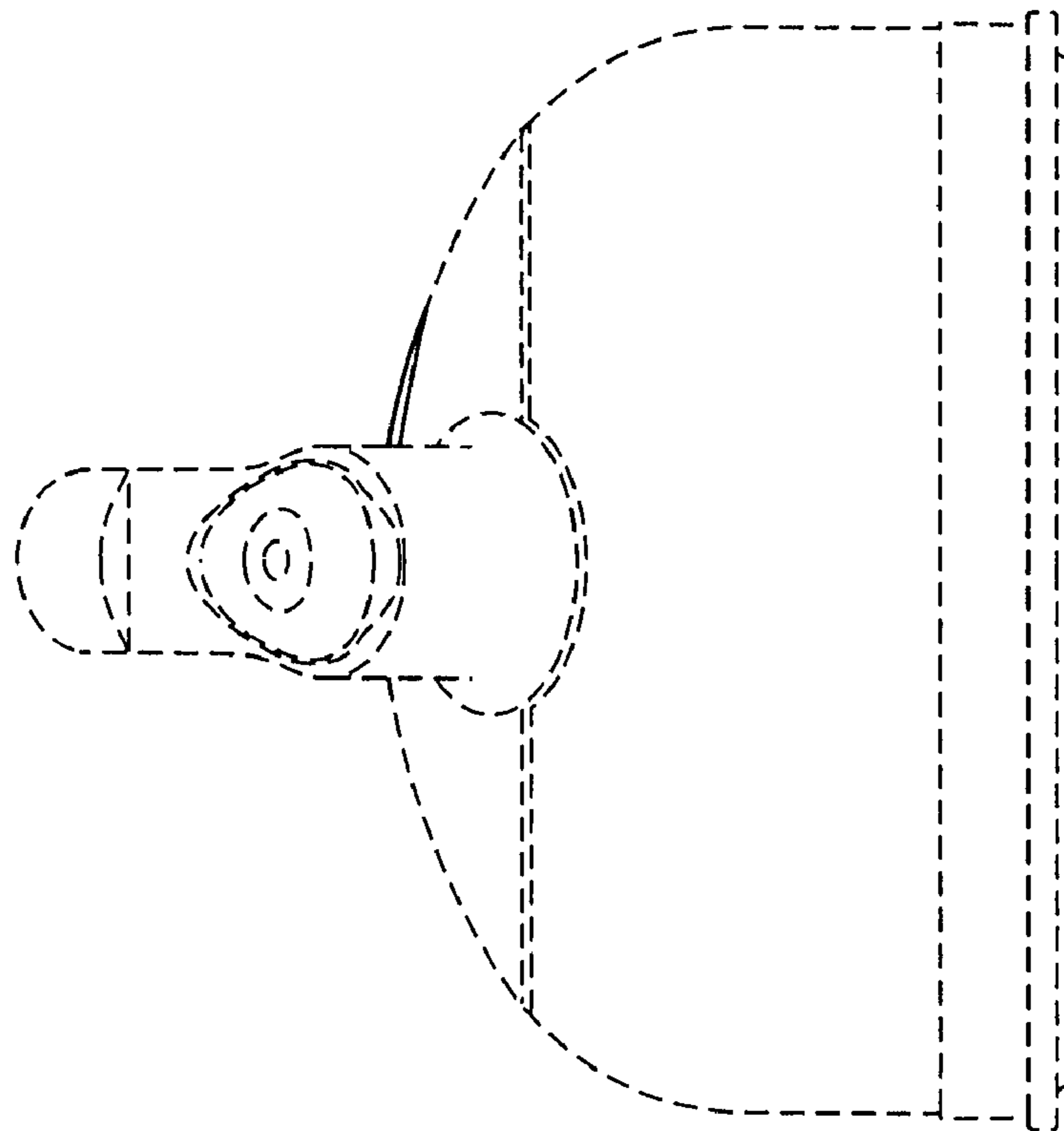


FIG. 3

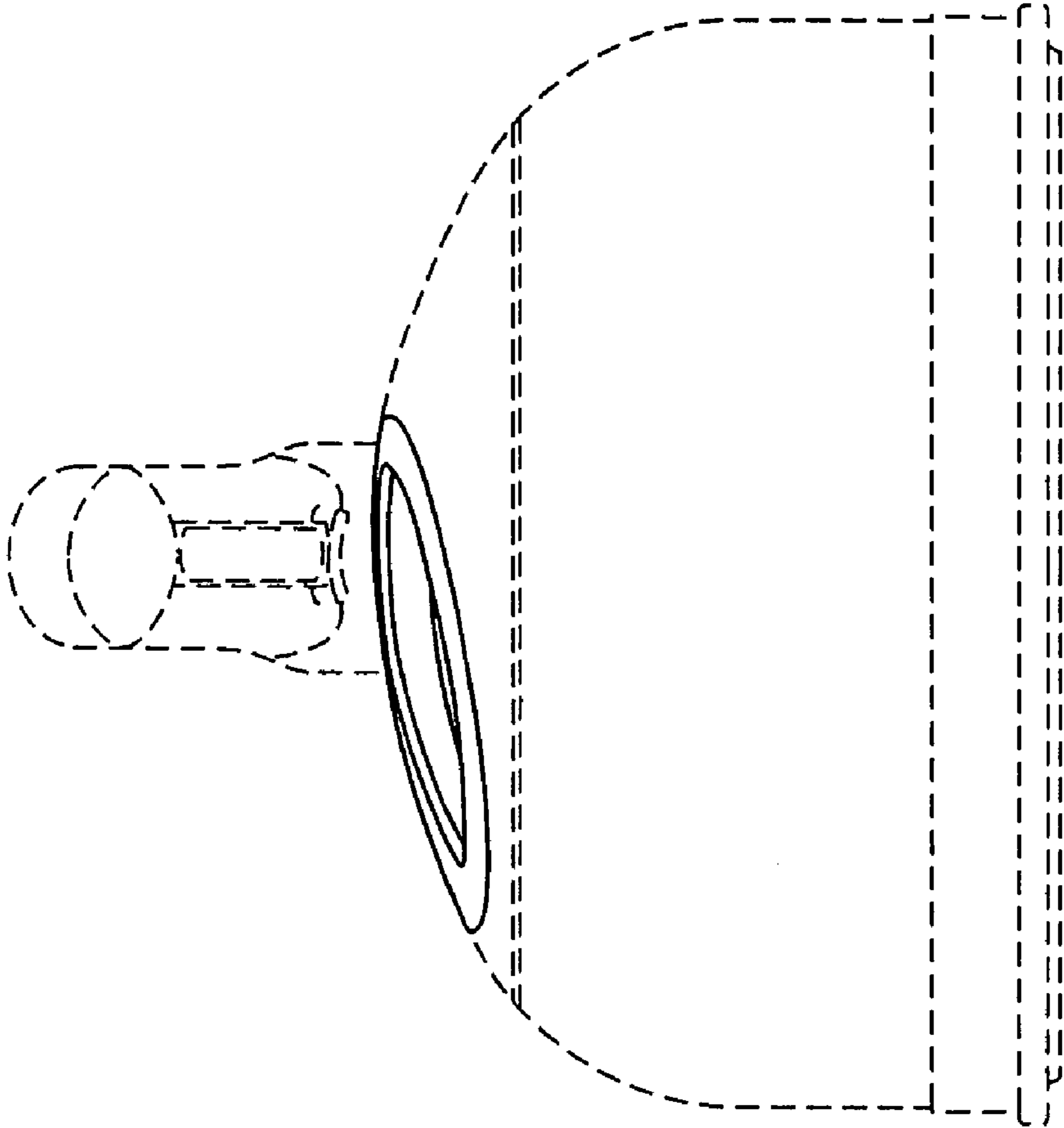


FIG. 5