

US00D548517S

(12) **United States Design Patent**  
**Piret**

(10) **Patent No.:** **US D548,517 S**

(45) **Date of Patent:** **\*\* Aug. 14, 2007**

(54) **ELECTRIC FOOD SLICER**

(75) Inventor: **Philippe Piret**, Mézières-sur-Seine (FR)

(73) Assignee: **SEB S.A.**, Ecully (FR)

(\*\*) Term: **14 Years**

(21) Appl. No.: **29/230,537**

(22) Filed: **May 24, 2005**

(30) **Foreign Application Priority Data**

Nov. 24, 2004 (FR) ..... 04 5673

(51) **LOC (8) Cl.** ..... **31-00**

(52) **U.S. Cl.** ..... **D7/381**

(58) **Field of Classification Search** ..... D7/376-386,  
D7/693; 83/77, 91, 102, 104, 167, 168, 451,  
83/452, 478, 663, 701, 703, 707, 708, 733,  
83/856, 858, 859; 134/6; 241/46.11, 46.13,  
241/46.15, 46.17

See application file for complete search history.

(56) **References Cited**

**U.S. PATENT DOCUMENTS**

D89,839 S *	5/1933	Folk	.....	D7/383
D107,855 S *	1/1938	Dapp	.....	D7/383
D135,739 S *	6/1943	Arens et al.	.....	D7/383
D145,406 S *	8/1946	Meyer	.....	D7/383
D180,304 S *	5/1957	Van duyn	.....	D7/383
2,970,623 A *	2/1961	Lundell	.....	83/703
D269,347 S *	6/1983	Cantatore et al.	.....	D7/383
D372,633 S *	8/1996	Redl, Jr.	.....	D7/383

D418,012 S *	12/1999	Van Dullemen et al.	.....	D7/383
D424,867 S *	5/2000	Van Dullemen	.....	D7/383
D463,713 S *	10/2002	Zhu	.....	D7/383
D488,953 S *	4/2004	Friel, Sr.	.....	D7/383
D513,682 S *	1/2006	Friel et al.	.....	D7/383

**OTHER PUBLICATIONS**

Cabelas's World's Foremost Outfitter, 40<sup>th</sup> Anniversary Master Catalog, Fall 2001, Edition I, Chef's Choice Premium Electric Food Slicer.\*

\* cited by examiner

*Primary Examiner*—Cathron C. Brooks

*Assistant Examiner*—Ricky Pham

(74) *Attorney, Agent, or Firm*—Young & Thompson

(57) **CLAIM**

The ornamental design for an electric food slicer, as shown.

**DESCRIPTION**

FIG. 1 is a front elevational view of an electric food slicer, showing my new design;

FIG. 2 is a rear elevational view thereof;

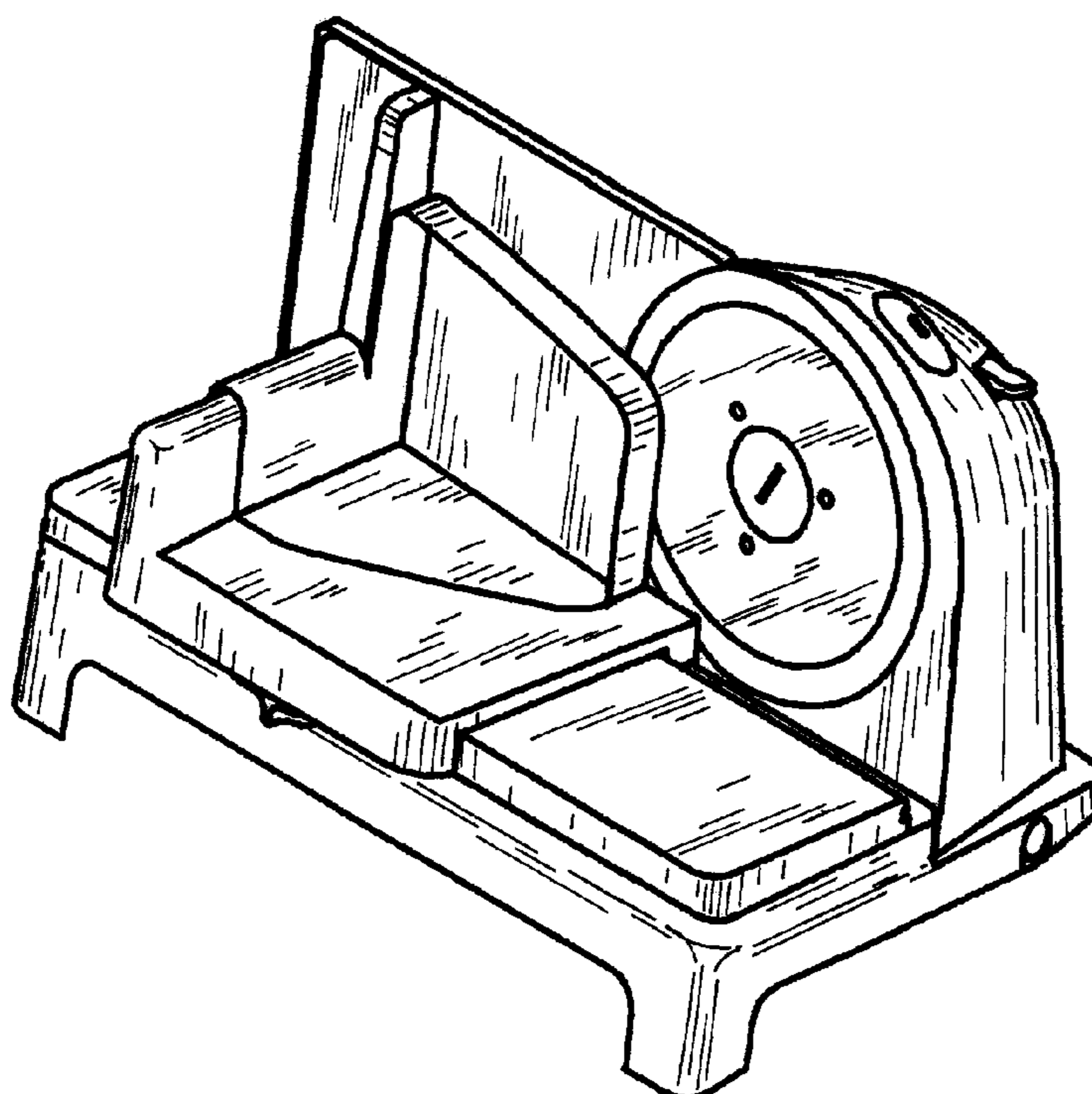
FIG. 3 is a side elevational view thereof from the left of FIG. 1;

FIG. 4 is a side elevational view thereof from the right of FIG. 1;

FIG. 5 is a top plan view thereof; and,

FIG. 6 is a top, front and side perspective view thereof.

**1 Claim, 6 Drawing Sheets**



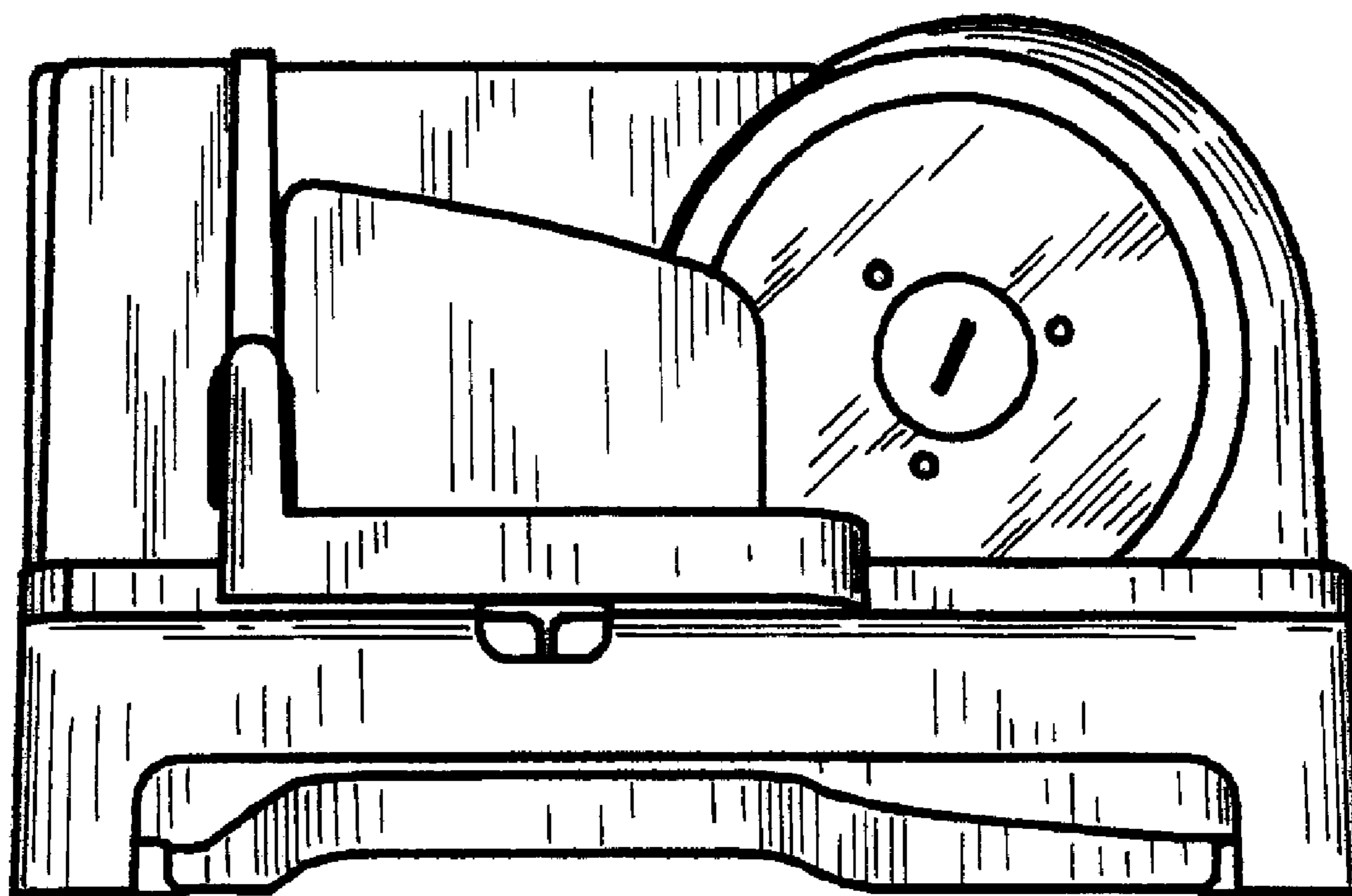


Fig. 1

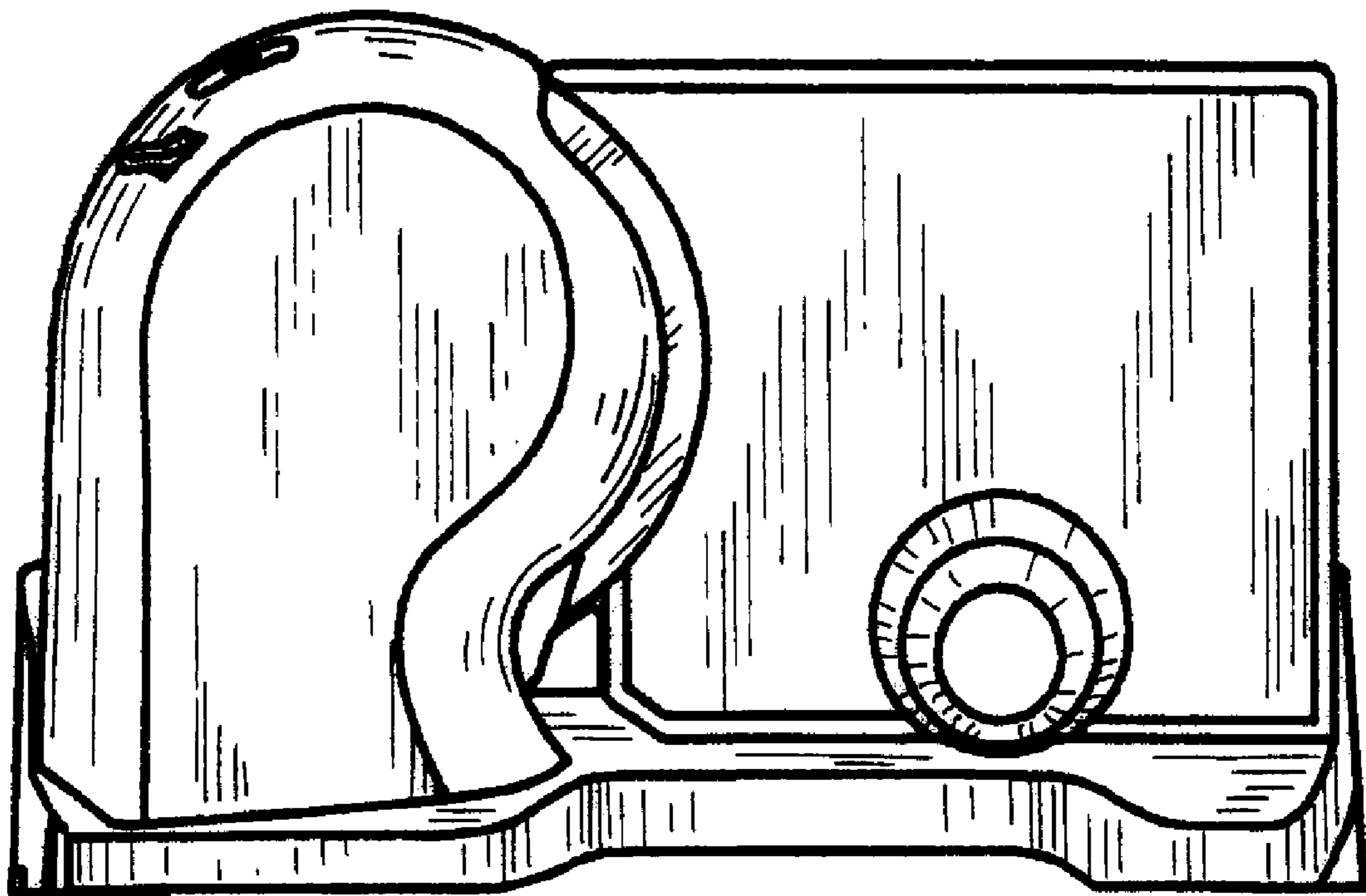
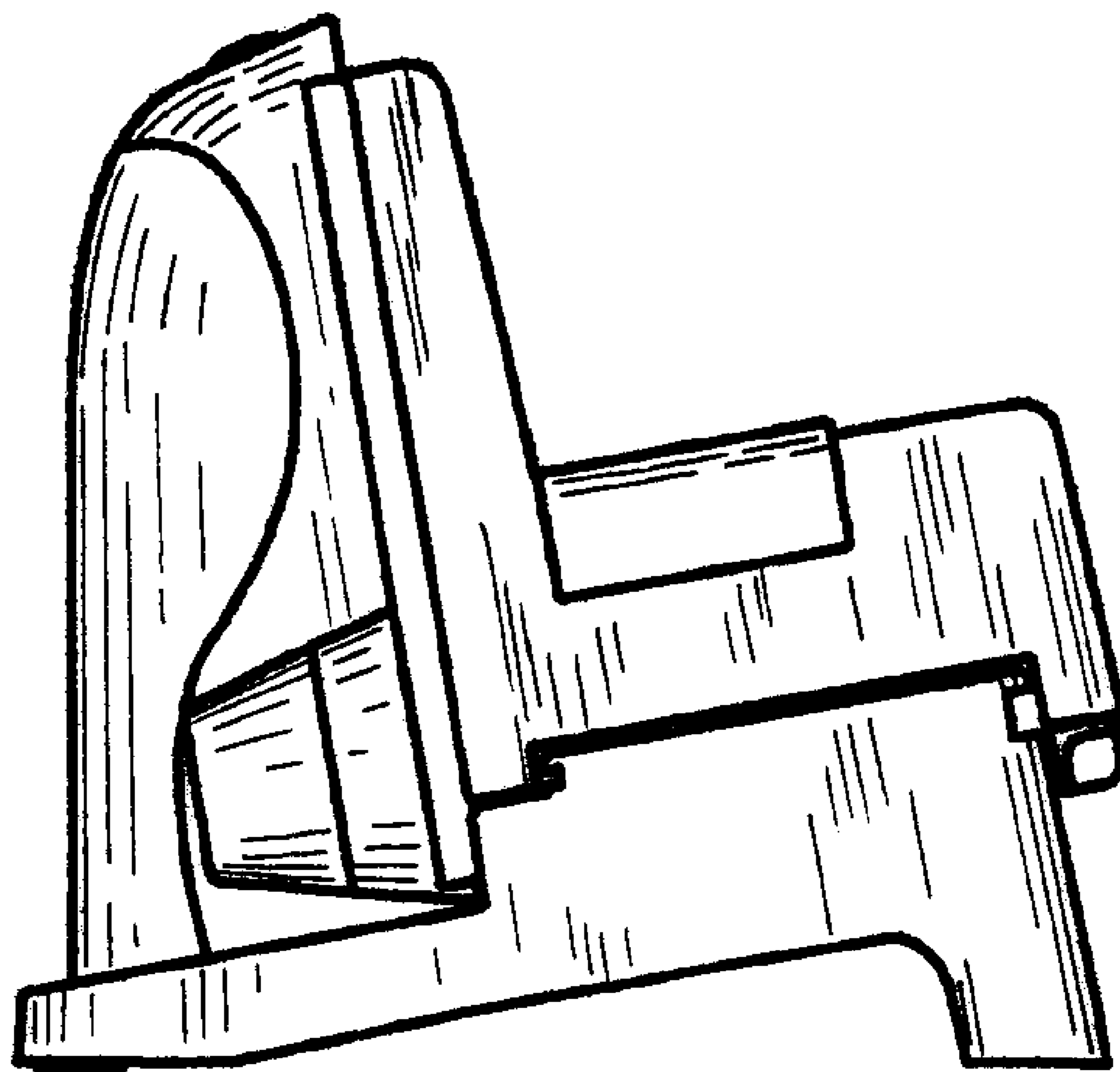


Fig. 2



**Fig. 3**

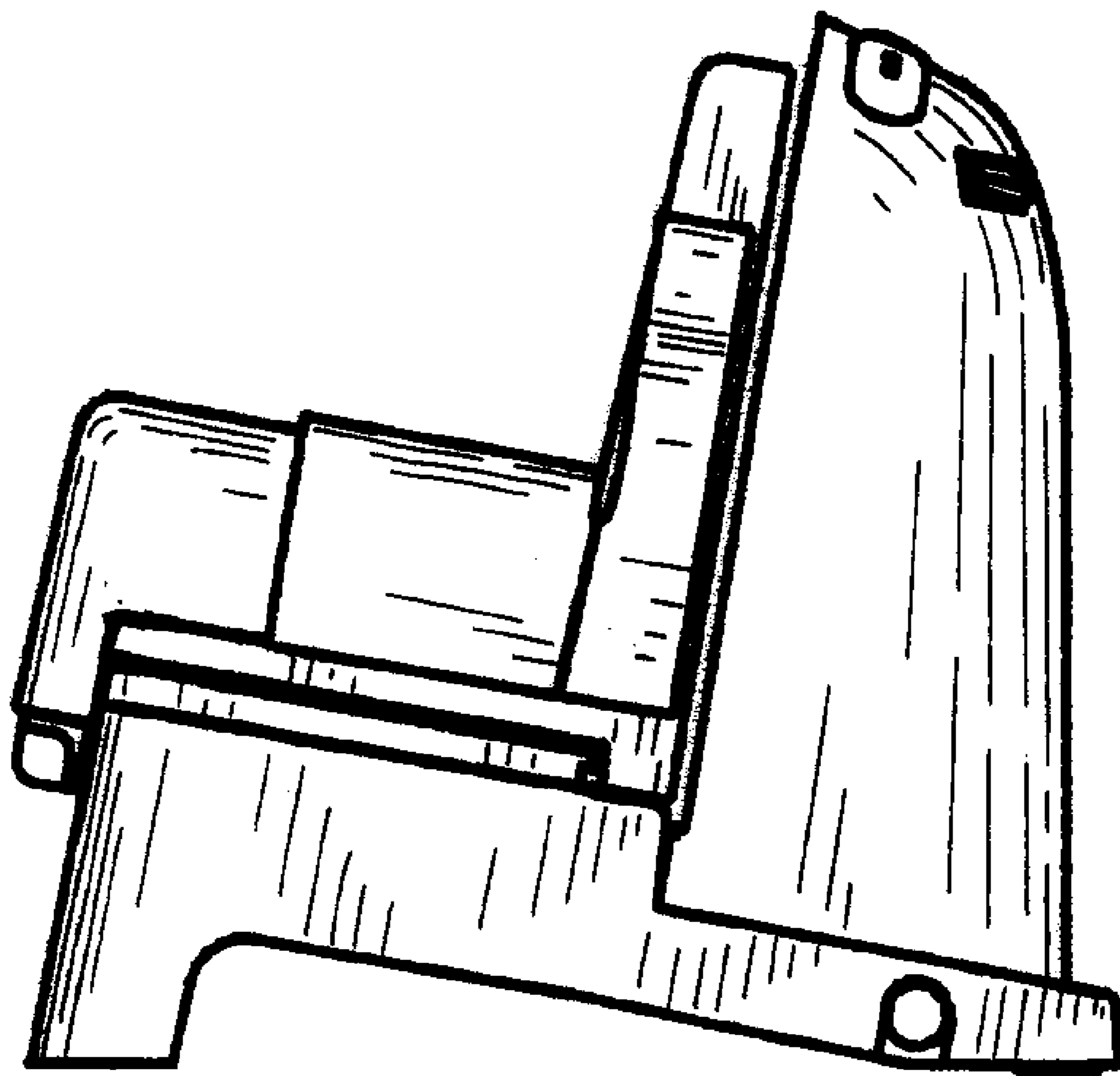


Fig. 4

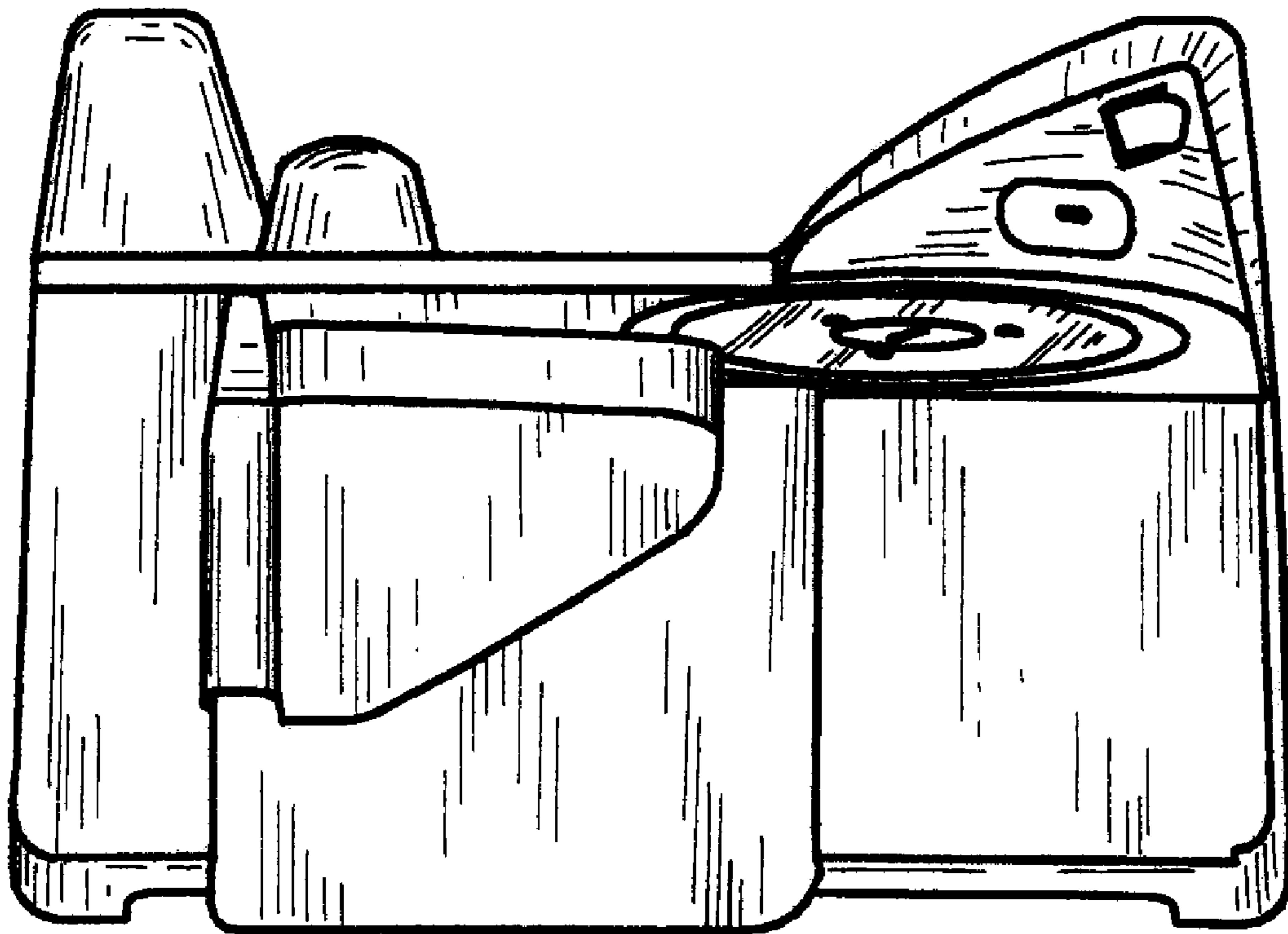


Fig. 5



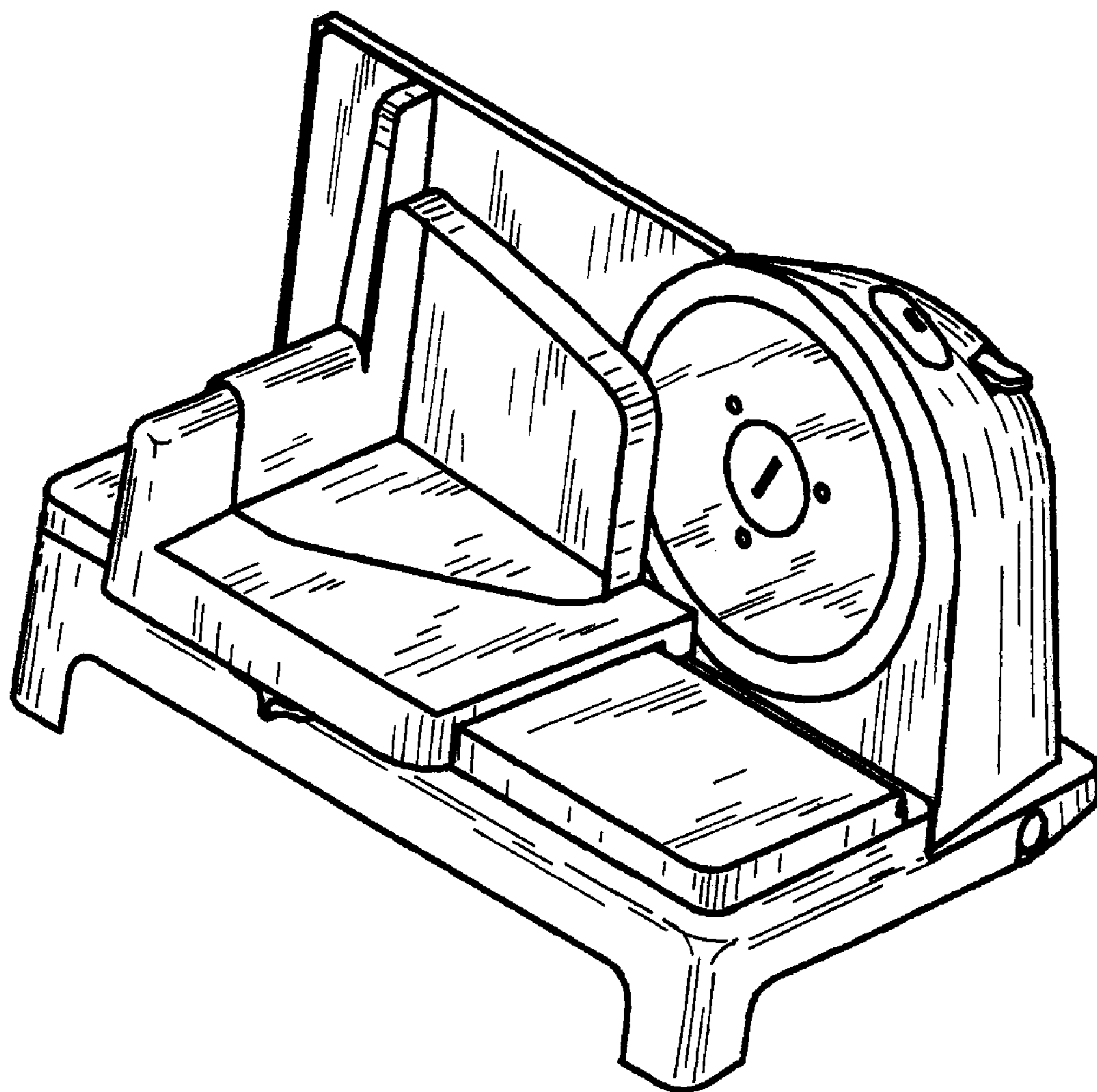


Fig. 6