



US00D548514S

(12) **United States Design Patent**
Huang

(10) **Patent No.:** **US D548,514 S**

(45) **Date of Patent:** **** Aug. 14, 2007**

(54) **PATIO GAS GRILL**

(75) Inventor: **Hsin-An Huang**, Taipei (TW)

(73) Assignee: **Test Rite International Company, Ltd.**, Taipei (TW)

(**) Term: **14 Years**

(21) Appl. No.: **29/256,937**

(22) Filed: **Mar. 28, 2006**

(51) **LOC (8) Cl.** **07-02**

(52) **U.S. Cl.** **D7/335**

(58) **Field of Classification Search** D7/332-337,
D7/402-405; 126/25 A, 25 AA, 9 R, 9 A,
126/9 B, 38, 37 R, 41 R, 40, 50, 12, 276,
126/8, 304 R; 99/481-482; 312/249.13,
312/249.8, 351.2

See application file for complete search history.

(56) **References Cited**

U.S. PATENT DOCUMENTS

D438,750 S * 3/2001 Mashburn et al. D7/335
D468,150 S * 1/2003 Schroeter et al. D7/335

D472,097 S * 3/2003 Wu D7/334
D477,176 S * 7/2003 Wang D7/336
D520,802 S * 5/2006 McLemore et al. D7/335

* cited by examiner

Primary Examiner—Ruth McInroy

(74) *Attorney, Agent, or Firm*—Bacon & Thomas, PLLC

(57) **CLAIM**

I claim the ornamental design for a patio gas grill, as shown and described.

DESCRIPTION

FIG. 1 is a perspective view of a patio gas grill showing my new design.

FIG. 2 is a top plan view thereof;

FIG. 3 is a bottom plan view thereof

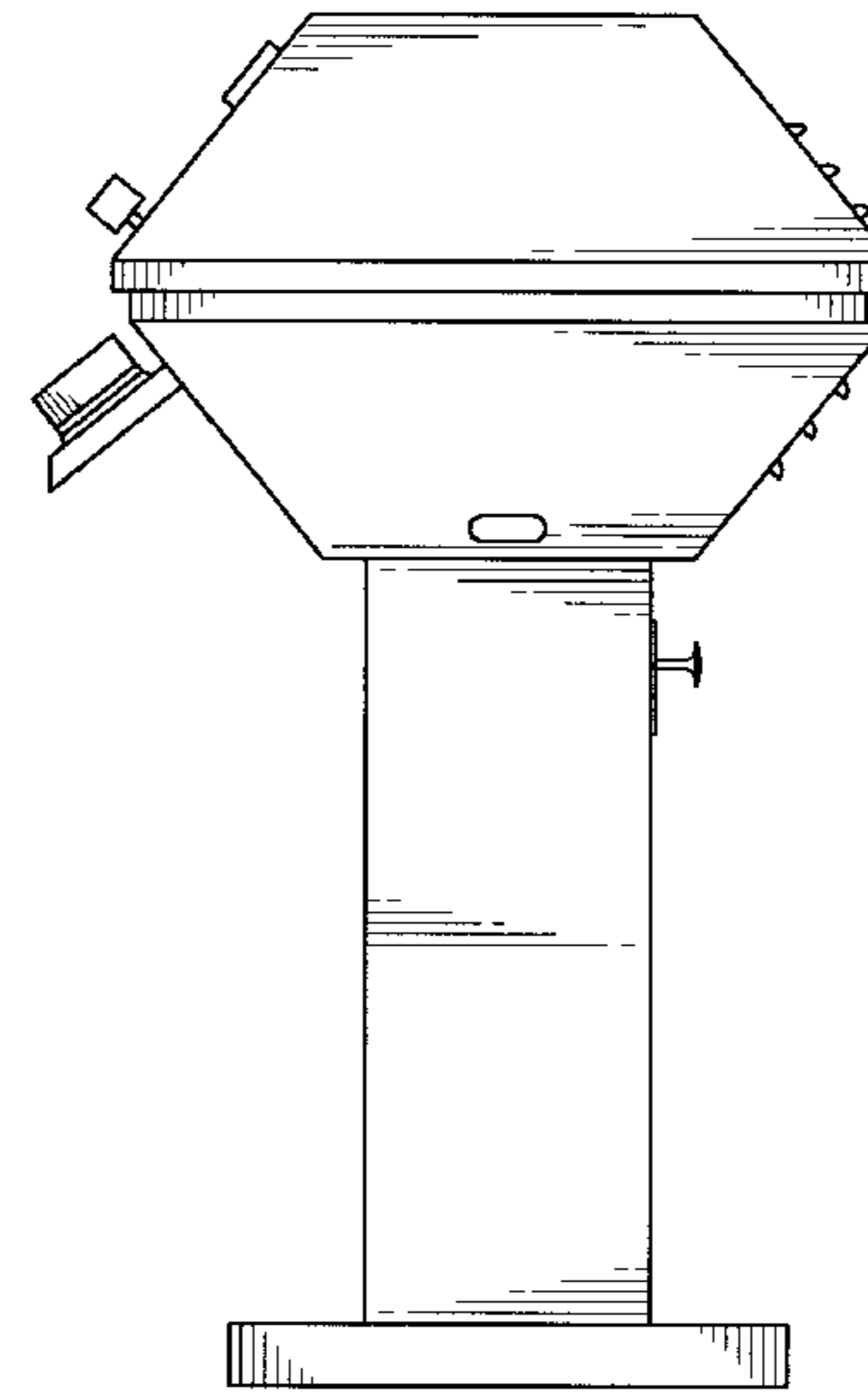
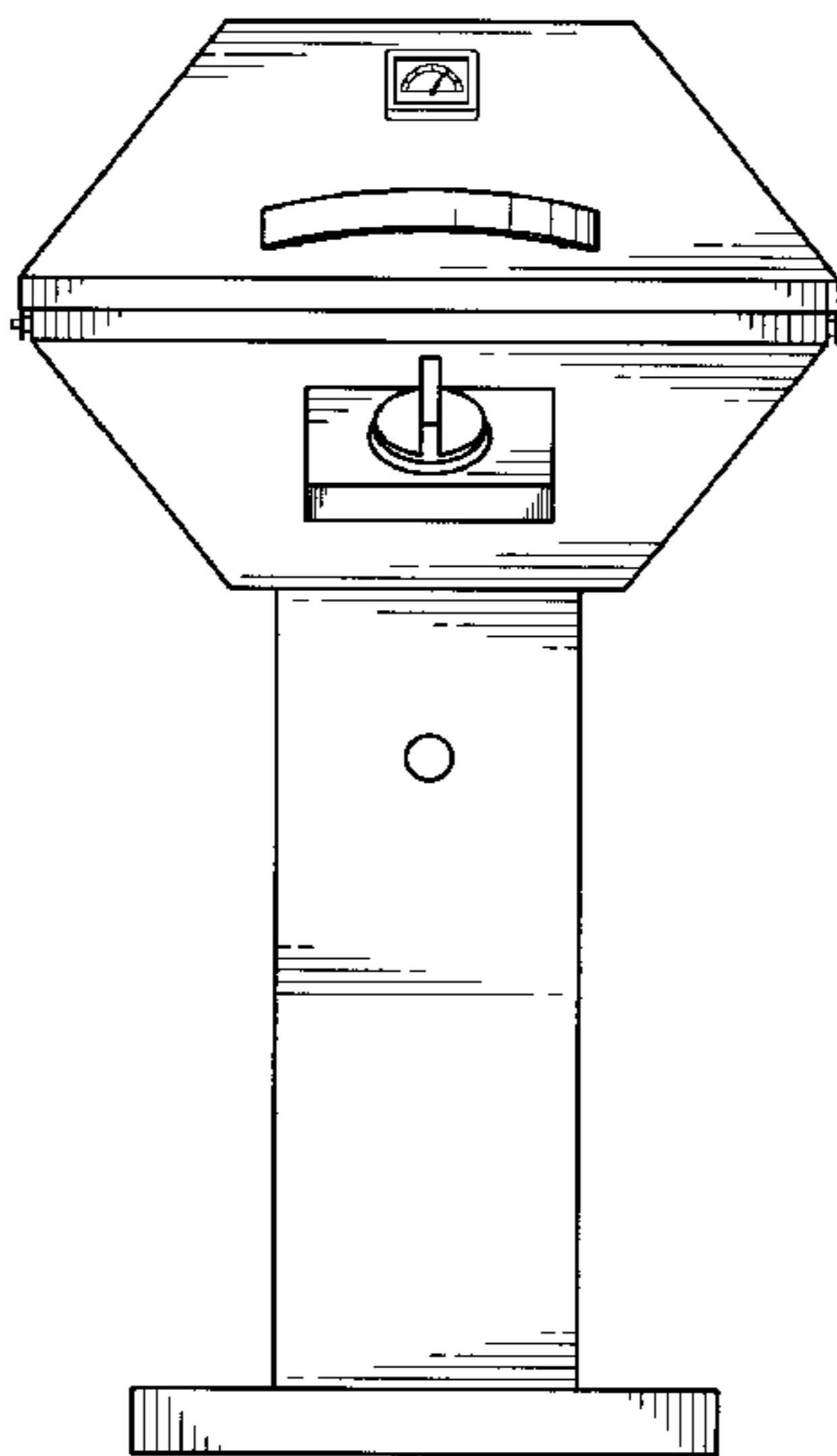
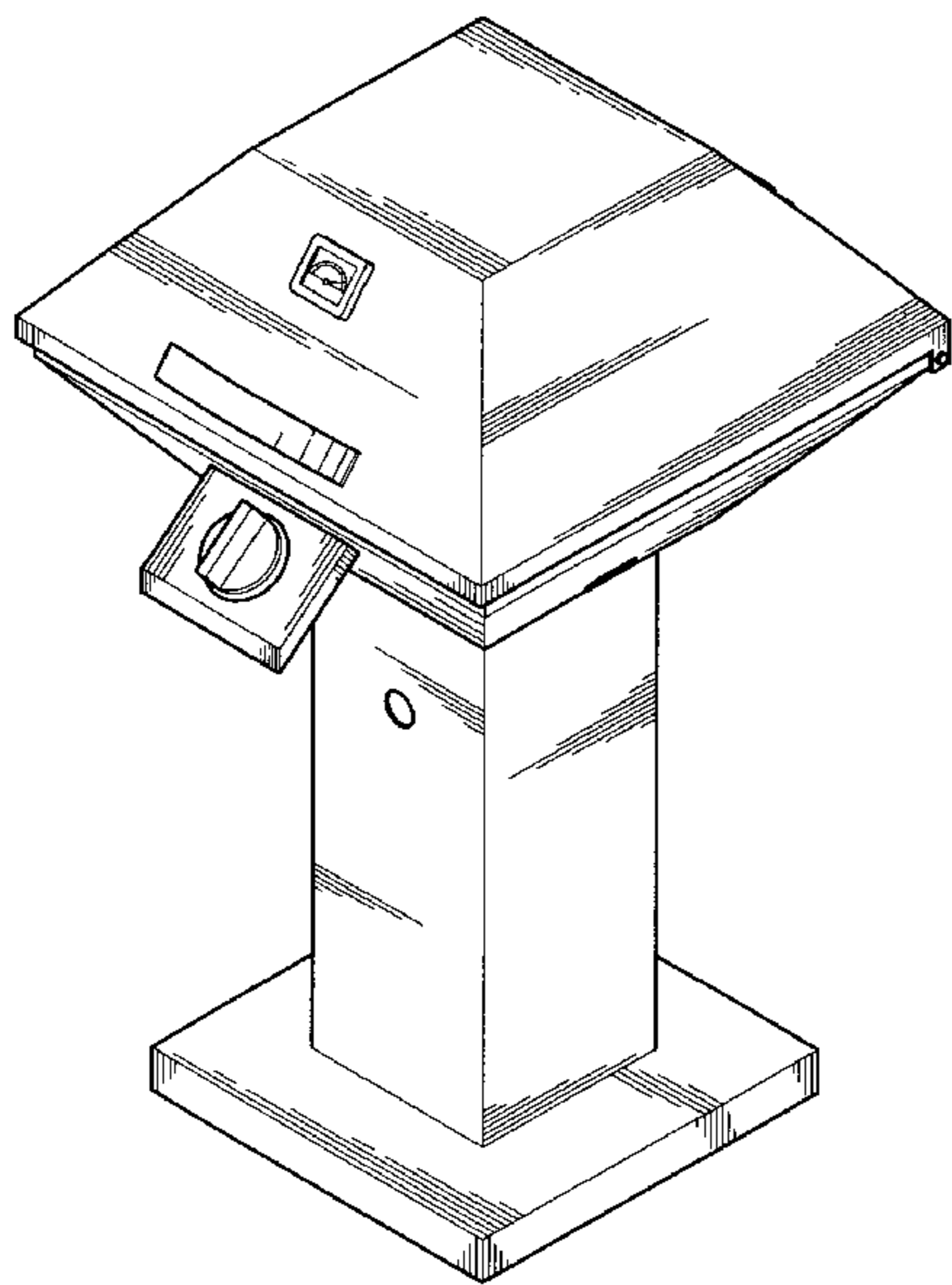
FIG. 4 is a front view thereof;

FIG. 5 is a rear view thereof;

FIG. 6 is a left side view thereof; and,

FIG. 7 is a right side view thereof.

1 Claim, 6 Drawing Sheets



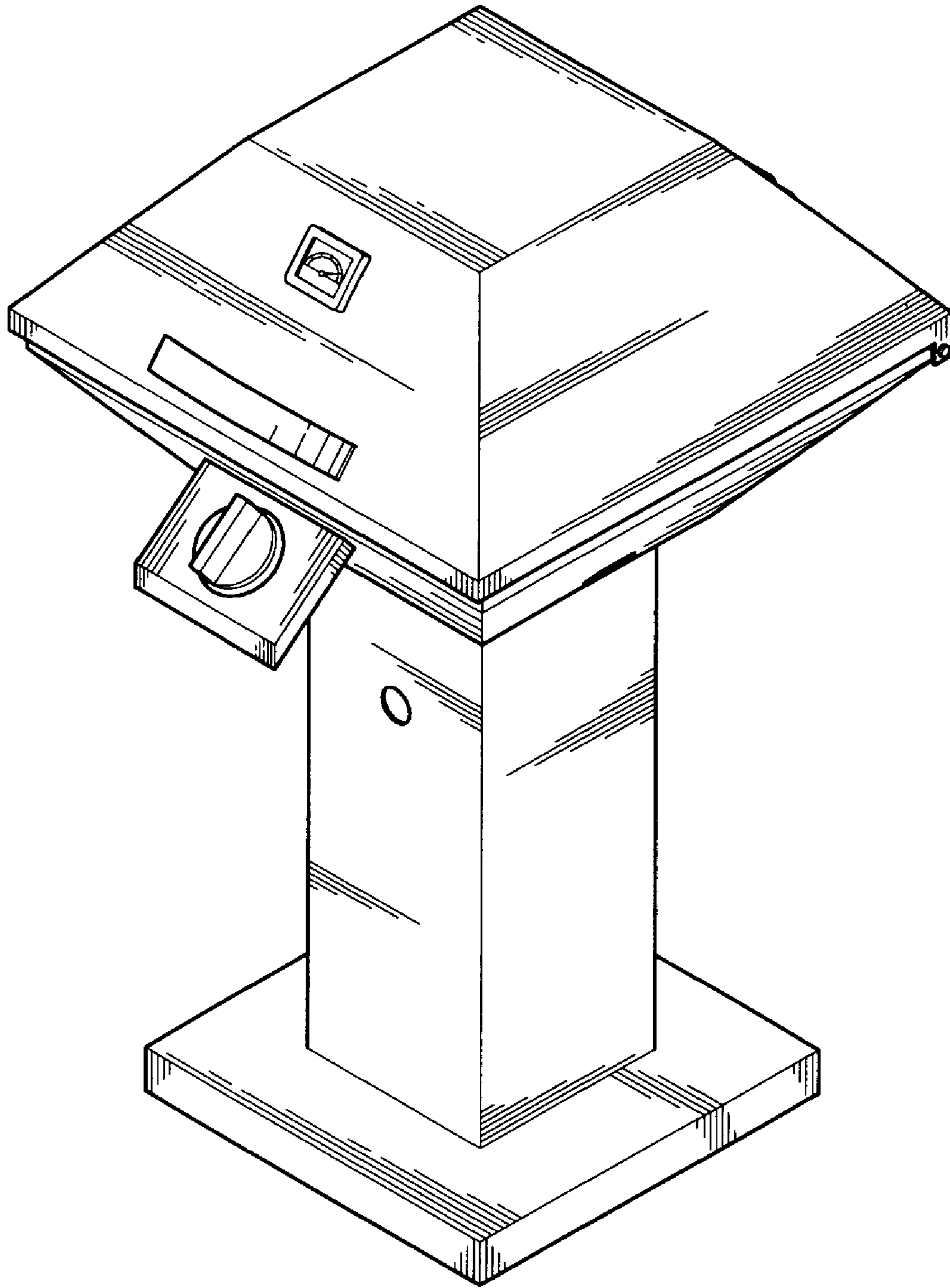


Fig. 1

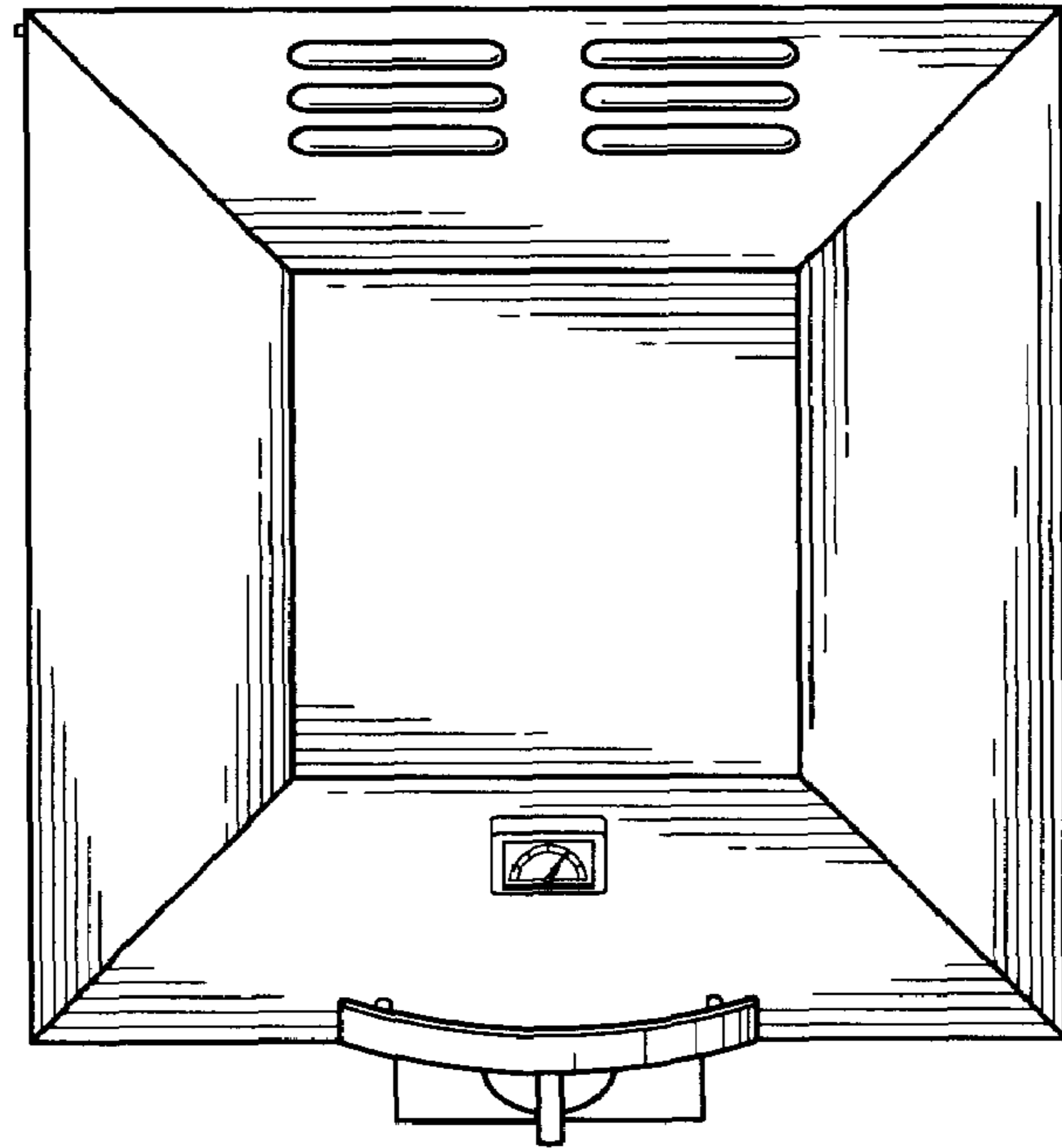


Fig. 2

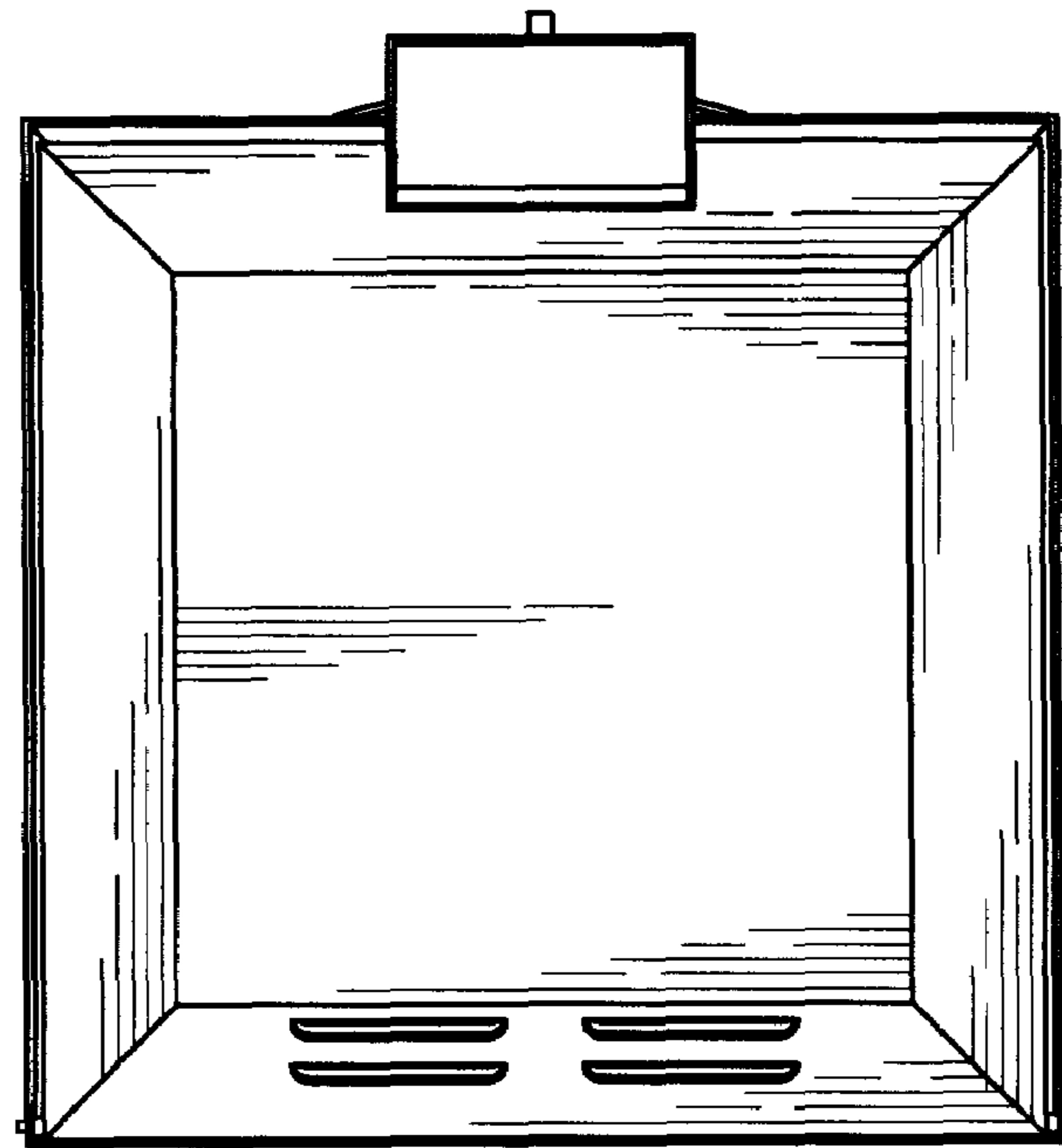


Fig. 3

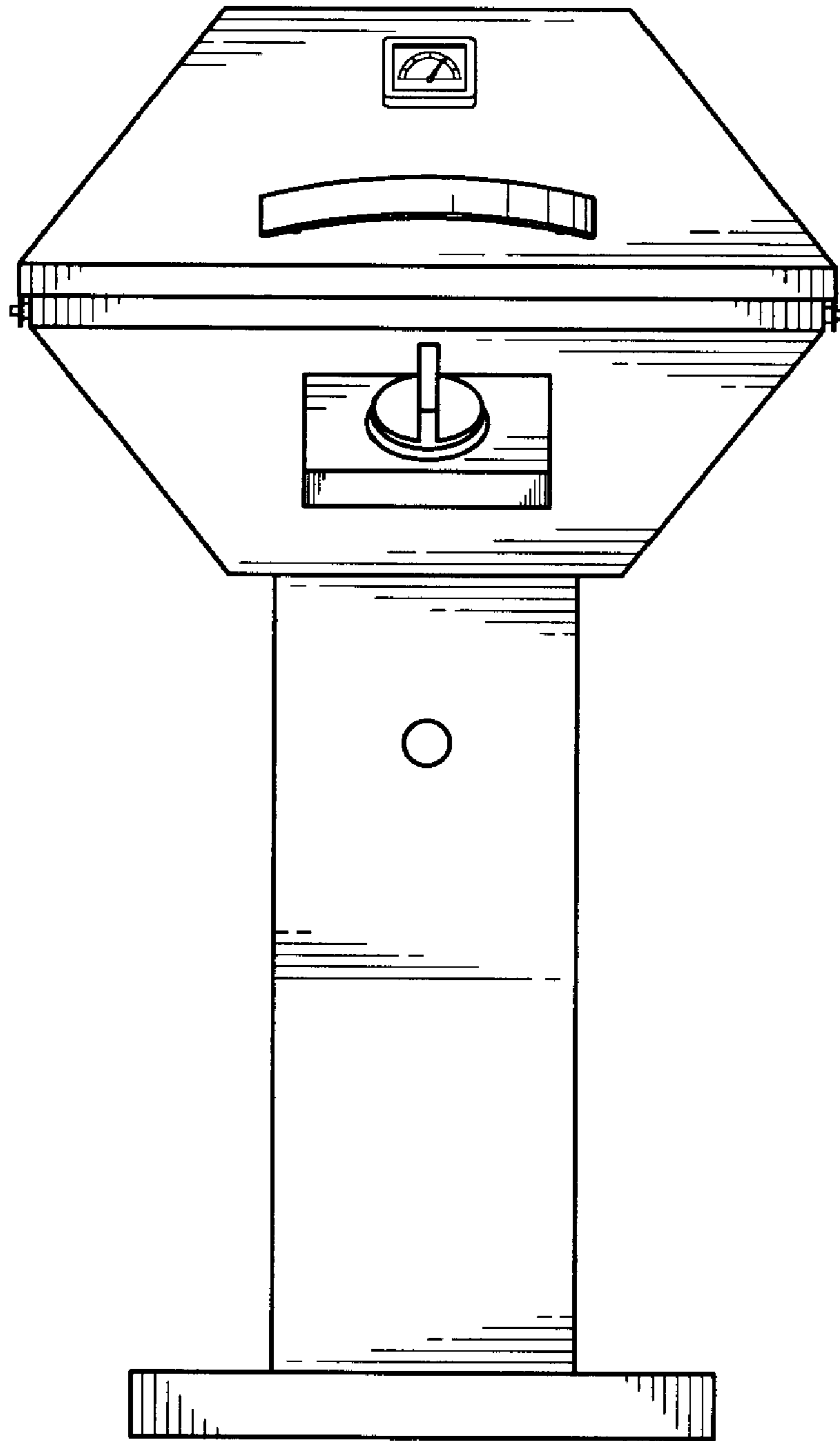


Fig. 4

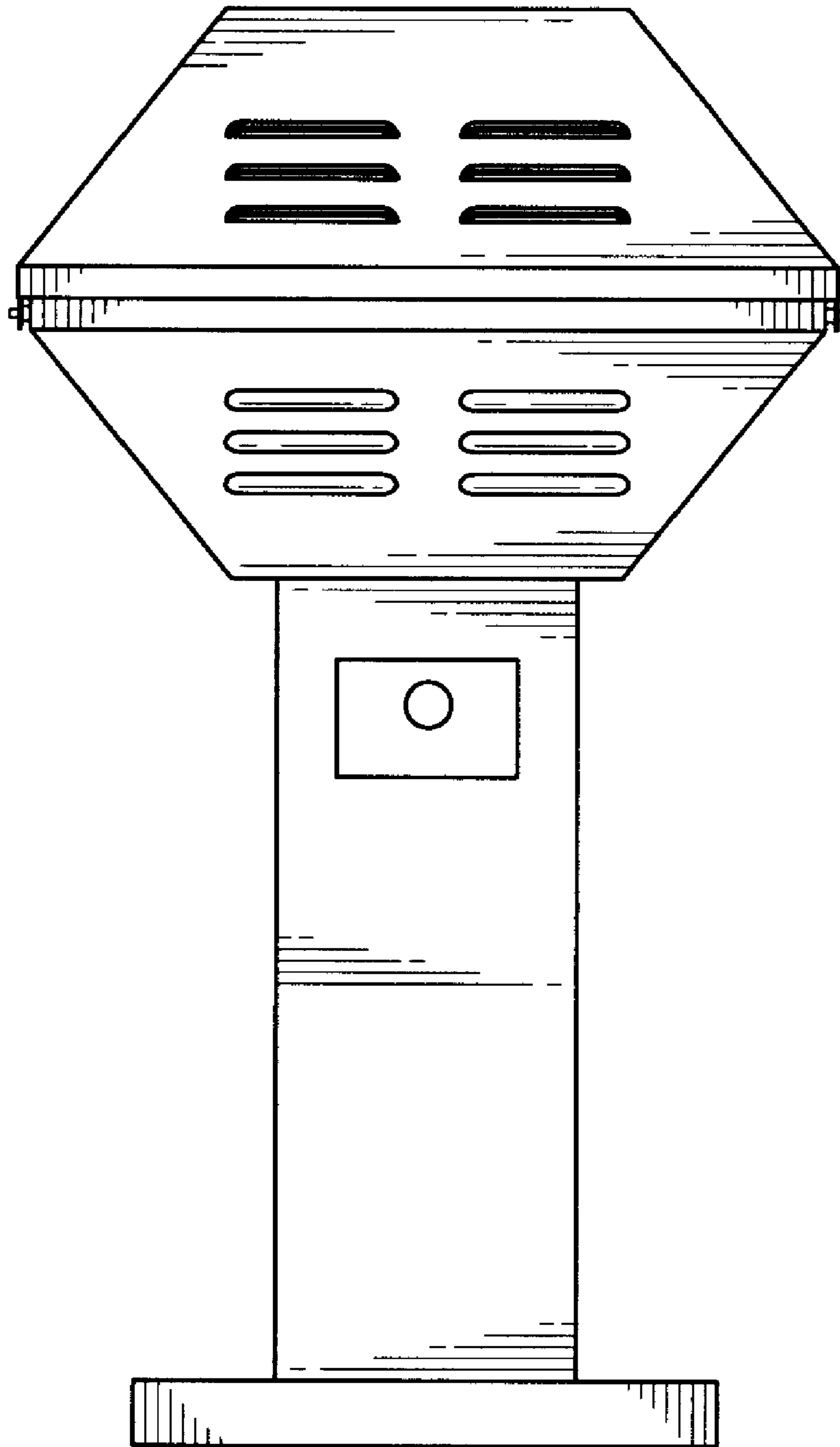


Fig. 5

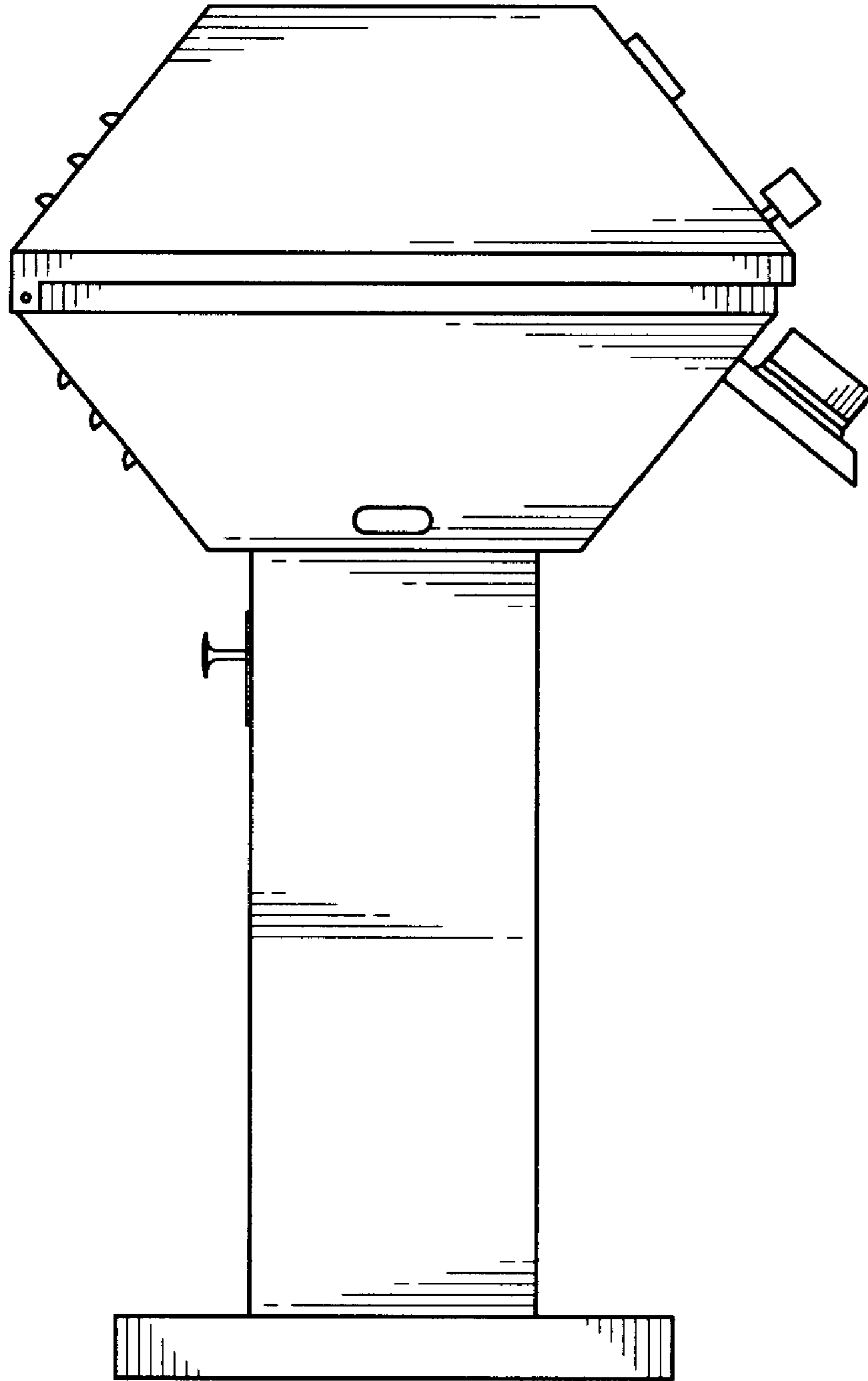


Fig. 6

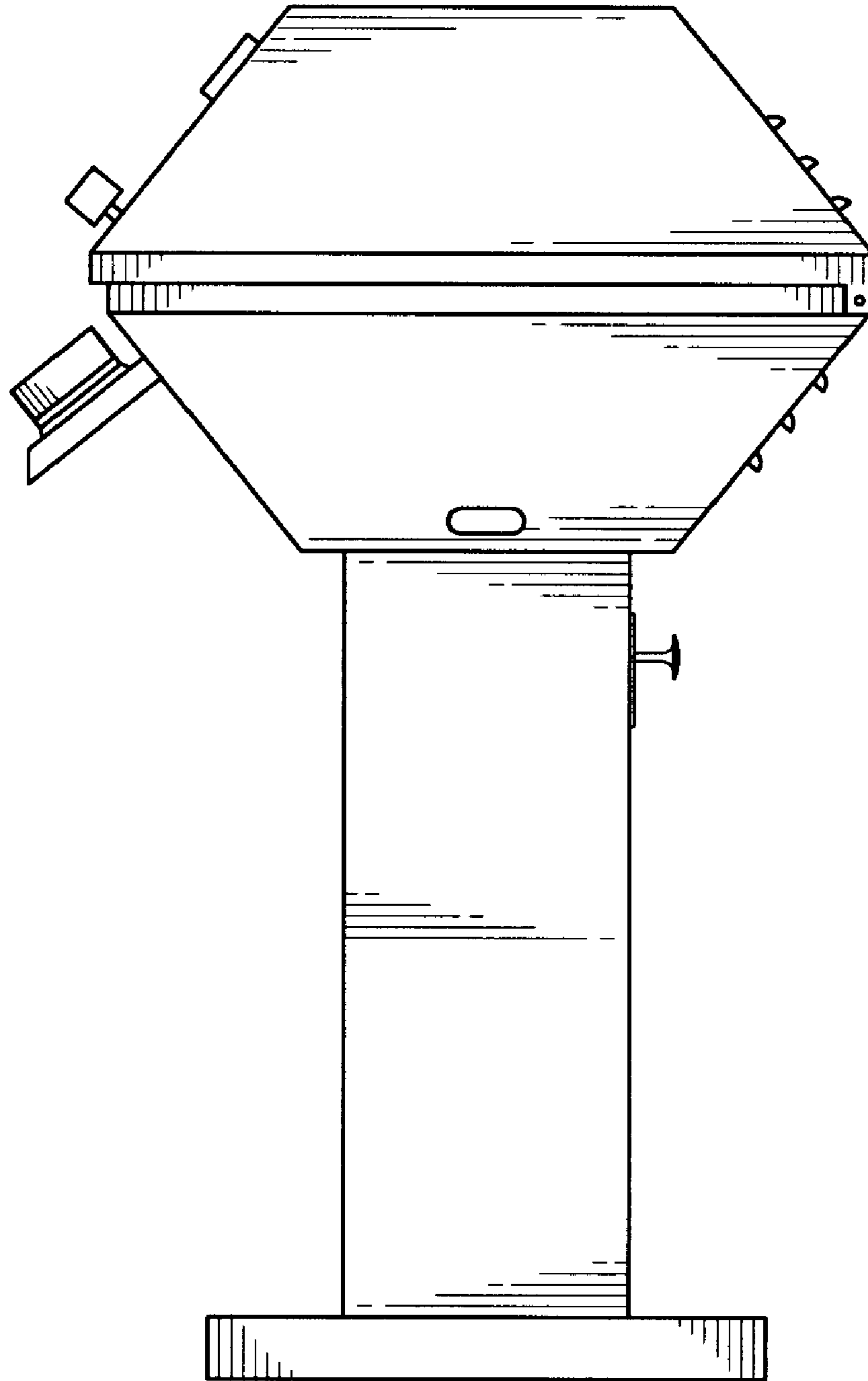


Fig. 7