



US00D548513S

(12) **United States Design Patent**
Huang

(10) **Patent No.:** **US D548,513 S**

(45) **Date of Patent:** **** Aug. 14, 2007**

(54) **GRILL**

(75) Inventor: **Hsin-An Huang**, Taipei (TW)

(73) Assignee: **Test Rite International Company, Ltd.**, Taipei (TW)

(**) Term: **14 Years**

(21) Appl. No.: **29/256,936**

(22) Filed: **Mar. 28, 2006**

(51) **LOC (8) Cl.** **07-02**

(52) **U.S. Cl.** **D7/332**

(58) **Field of Classification Search** D7/332-337,
D7/402-405; 126/25 A, 25 AA, 9 R, 9 A,
126/9 B, 38, 37 R, 41 R, 40, 50, 12, 276,
126/8, 304 R; 99/481-482; 312/249.13,
312/249.8, 351.2

See application file for complete search history.

(56) **References Cited**

U.S. PATENT DOCUMENTS

D382,765 S	*	8/1997	Kellermann	D7/332
D444,991 S	*	7/2001	Measom	D7/337
D463,948 S	*	10/2002	Innes	D7/332
D486,348 S	*	2/2004	Zhu	D7/332
D486,689 S	*	2/2004	Lu	D7/403

OTHER PUBLICATIONS

Bayou Classic Outdoor Fish Fryer/Cooker with Cast Iron Fry Pot.
[online]. www.elitedeals.com. [retrieved on Mar. 15, 2007].

Retrieved from the Internet: <URL:www.elitedeals.com/bacloufircol.htmlhttp://www.elitedeals.com/bacloufircol.html>.*
Eastman Outdoors 37063 30-Quart Whole Enchilada Professional Outdoor Cooking Set. [online]. [Retrieved on Mar. 15, 2007].
Retrieved from the Internet: <http://www.amazon.com/Eastman-Outdoors-37063-Enchilada-Professional/dp/B000AXSJDW/ref=sr_1_2/105-0612553-92540344?ie=UTF8s=garden&aid=11739623828sr=1-2>.*

* cited by examiner

Primary Examiner—Ruth McInroy

(74) *Attorney, Agent, or Firm*—Bacon & Thomas, PLLC

(57) **CLAIM**

I claim the ornamental design for a grill, as shown and described.

DESCRIPTION

FIG. 1 is a perspective view of a grill showing my new design.

FIG. 2 is a top plan view thereof;

FIG. 3 is a bottom plan view thereof

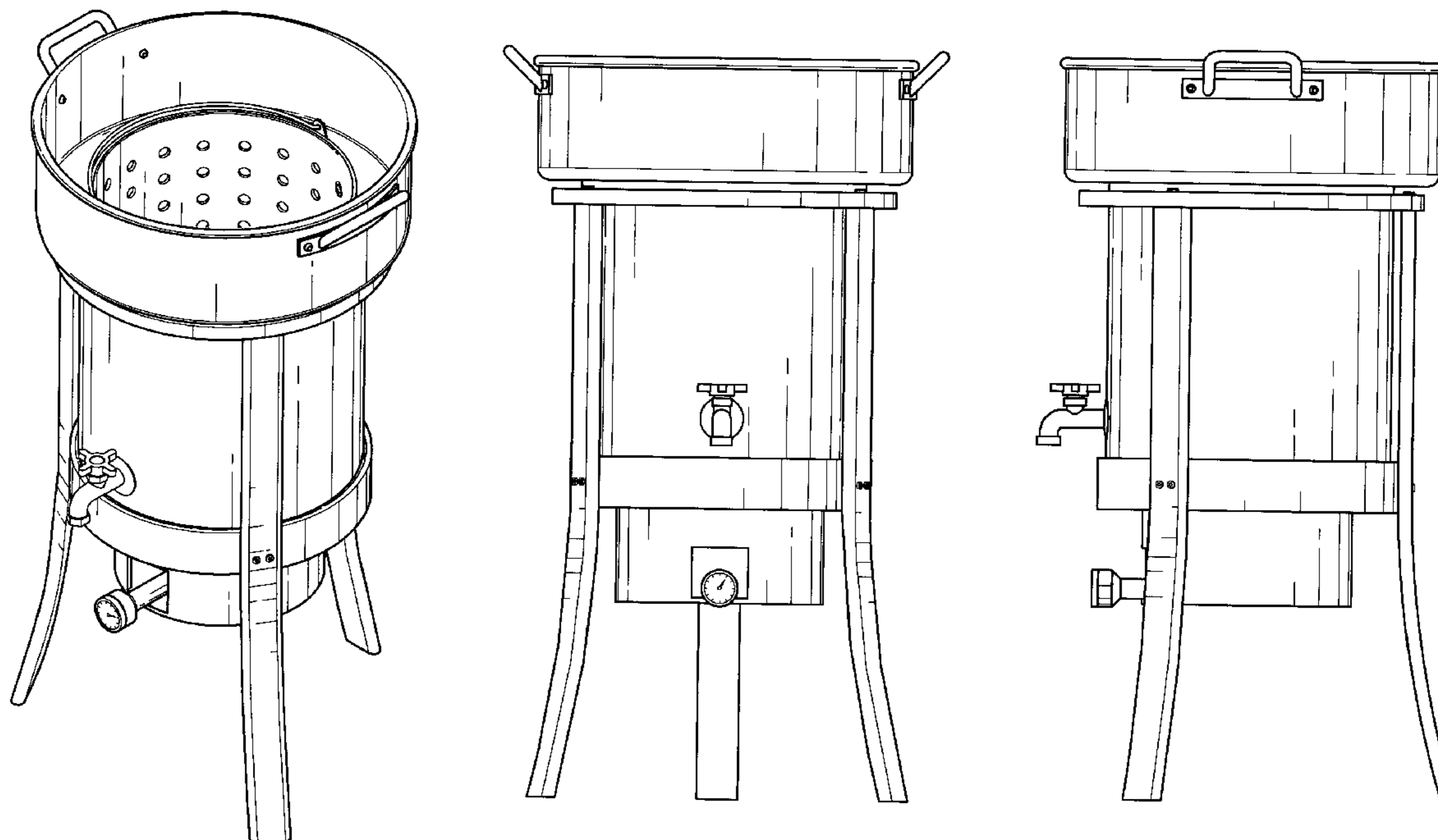
FIG. 4 is a front view thereof;

FIG. 5 is a rear view thereof;

FIG. 6 is a left side view thereof; and,

FIG. 7 is a right side view thereof.

1 Claim, 6 Drawing Sheets



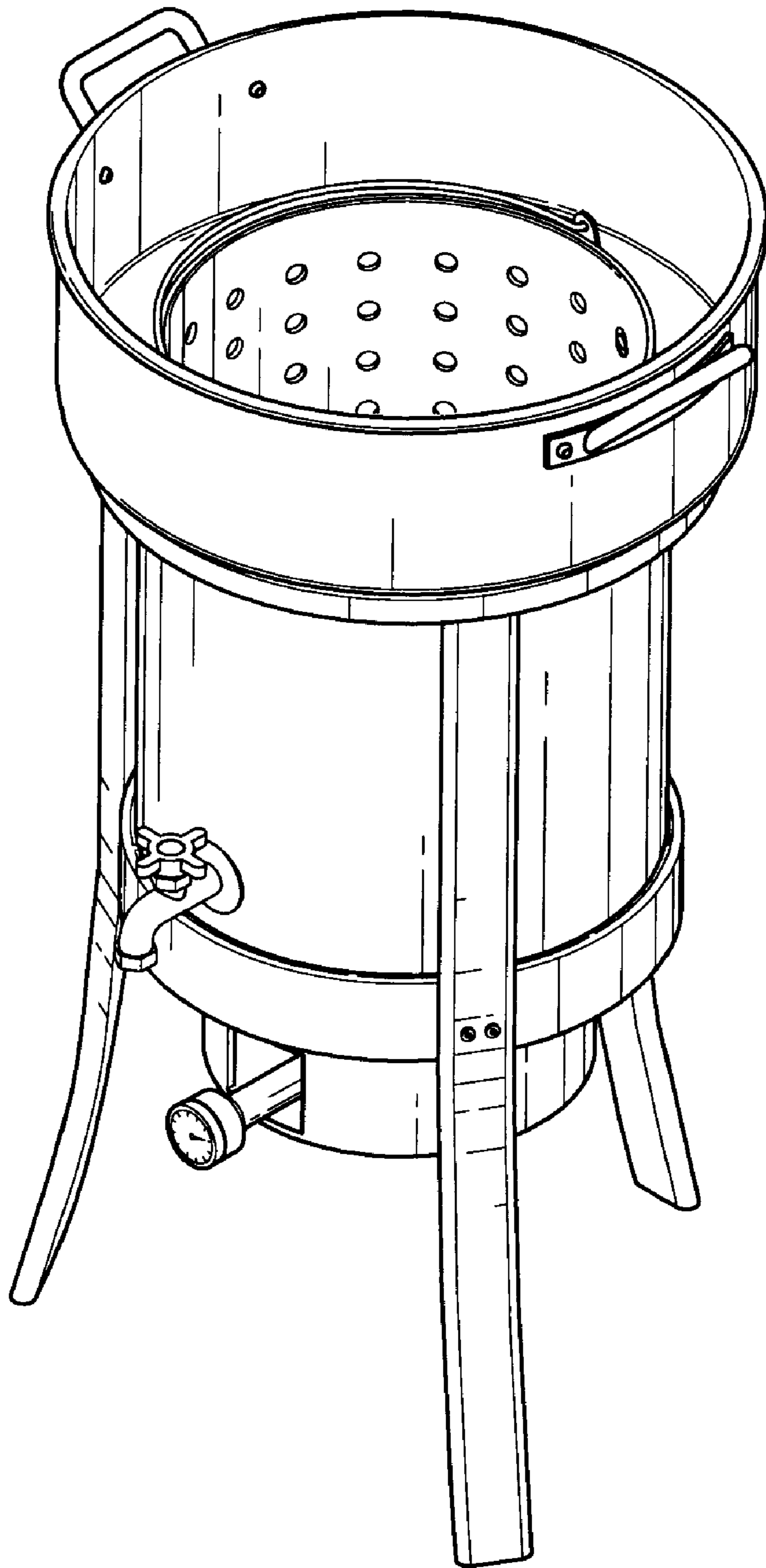


Fig. 1

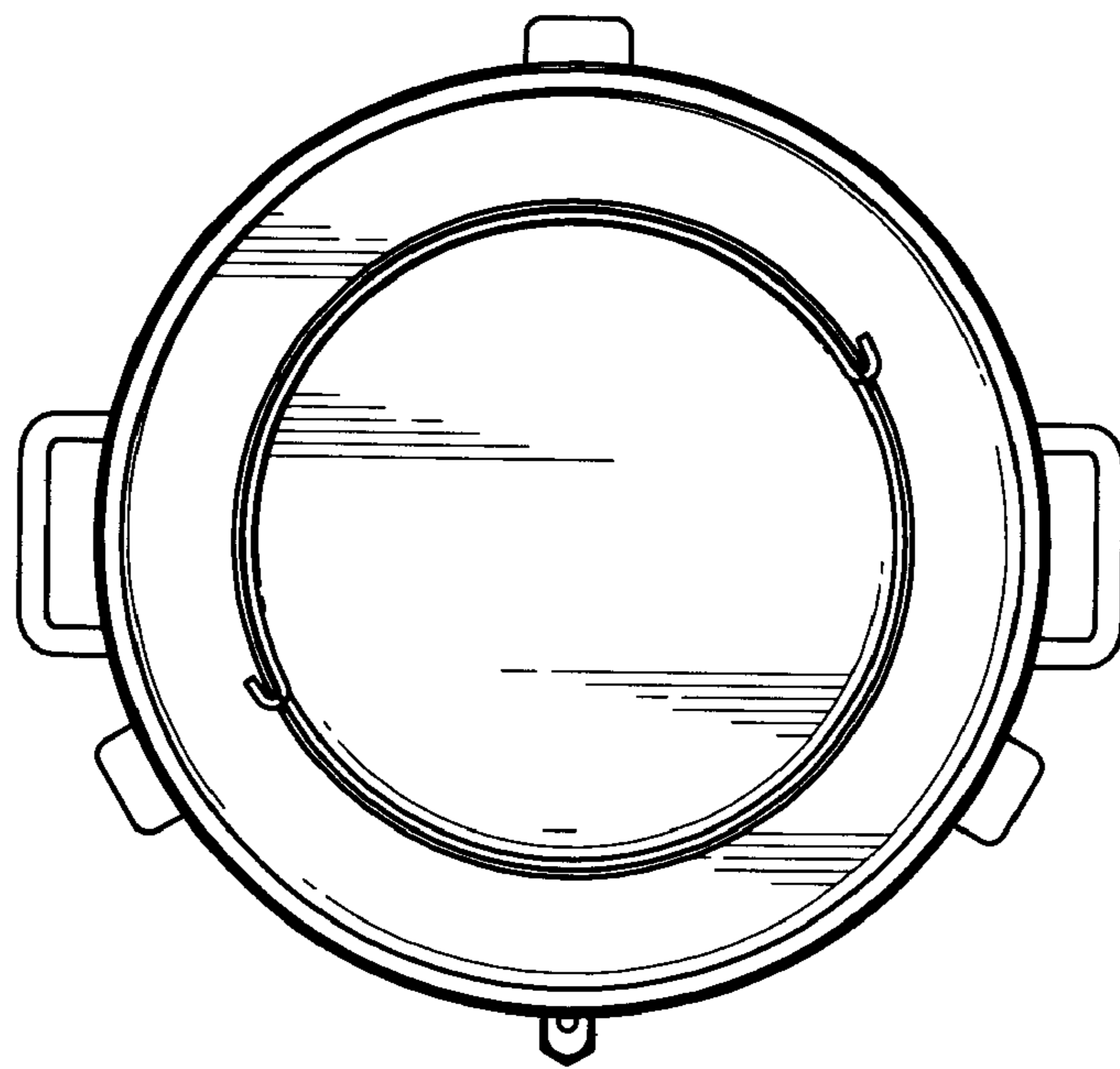


Fig. 2

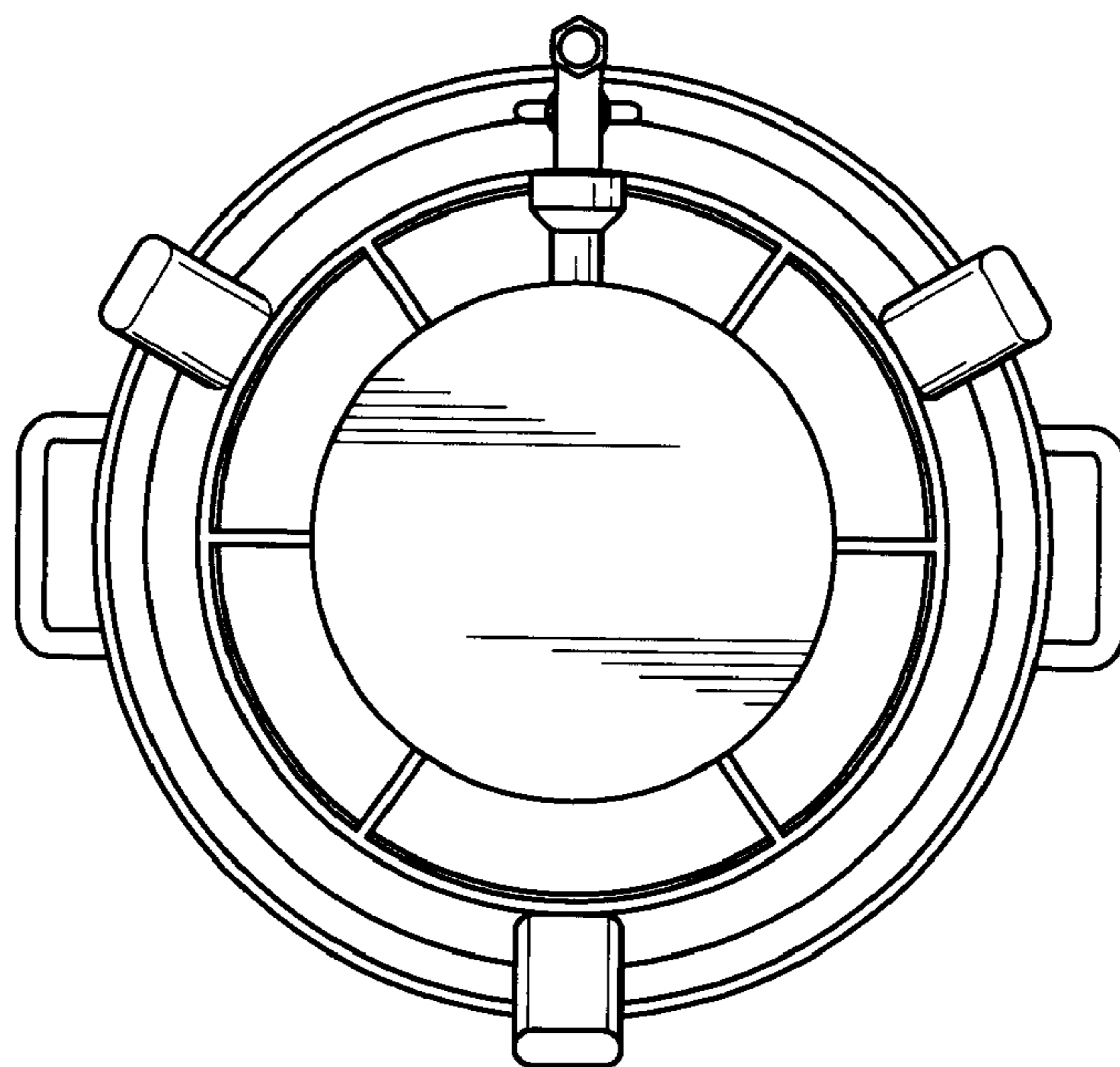


Fig. 3

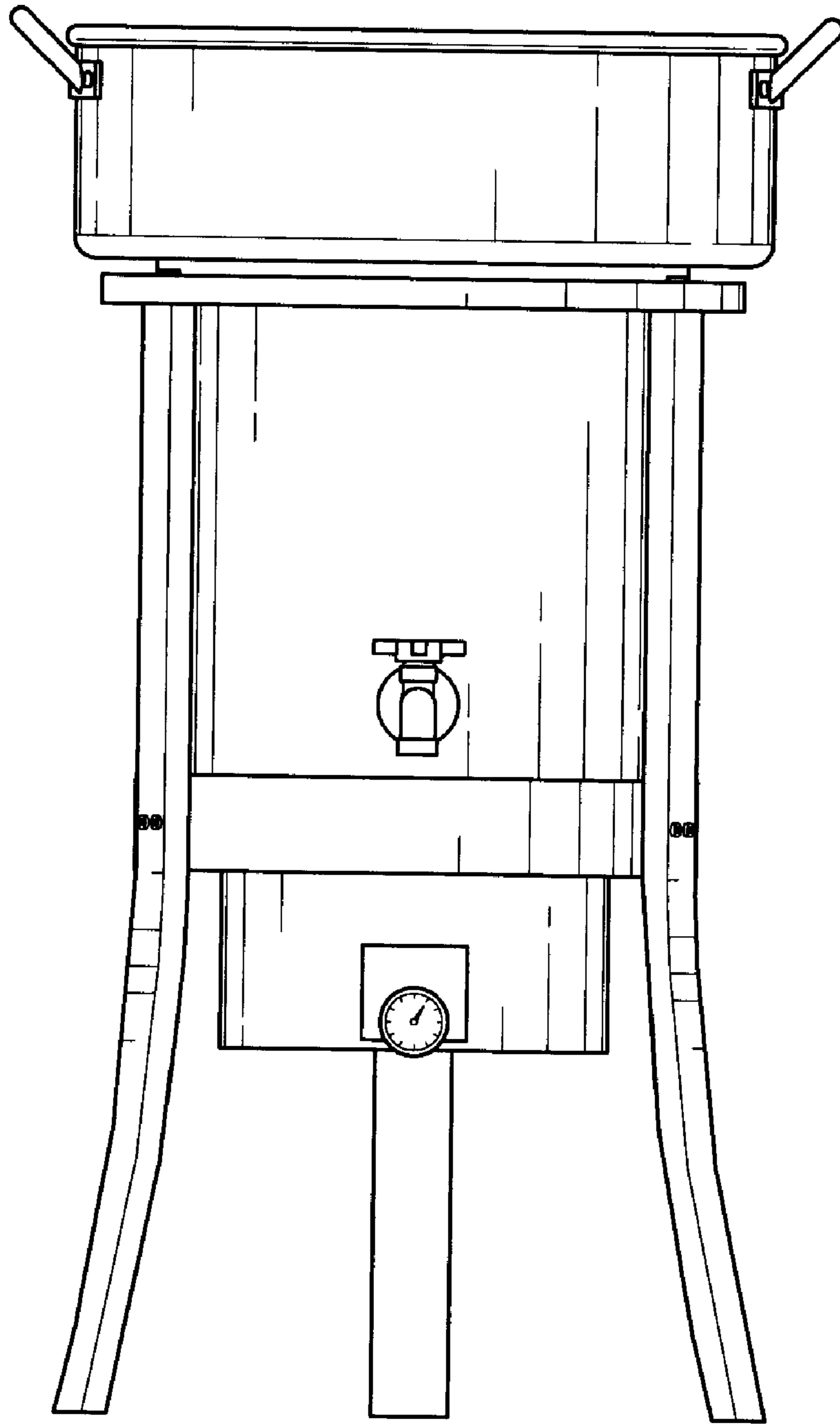


Fig. 4

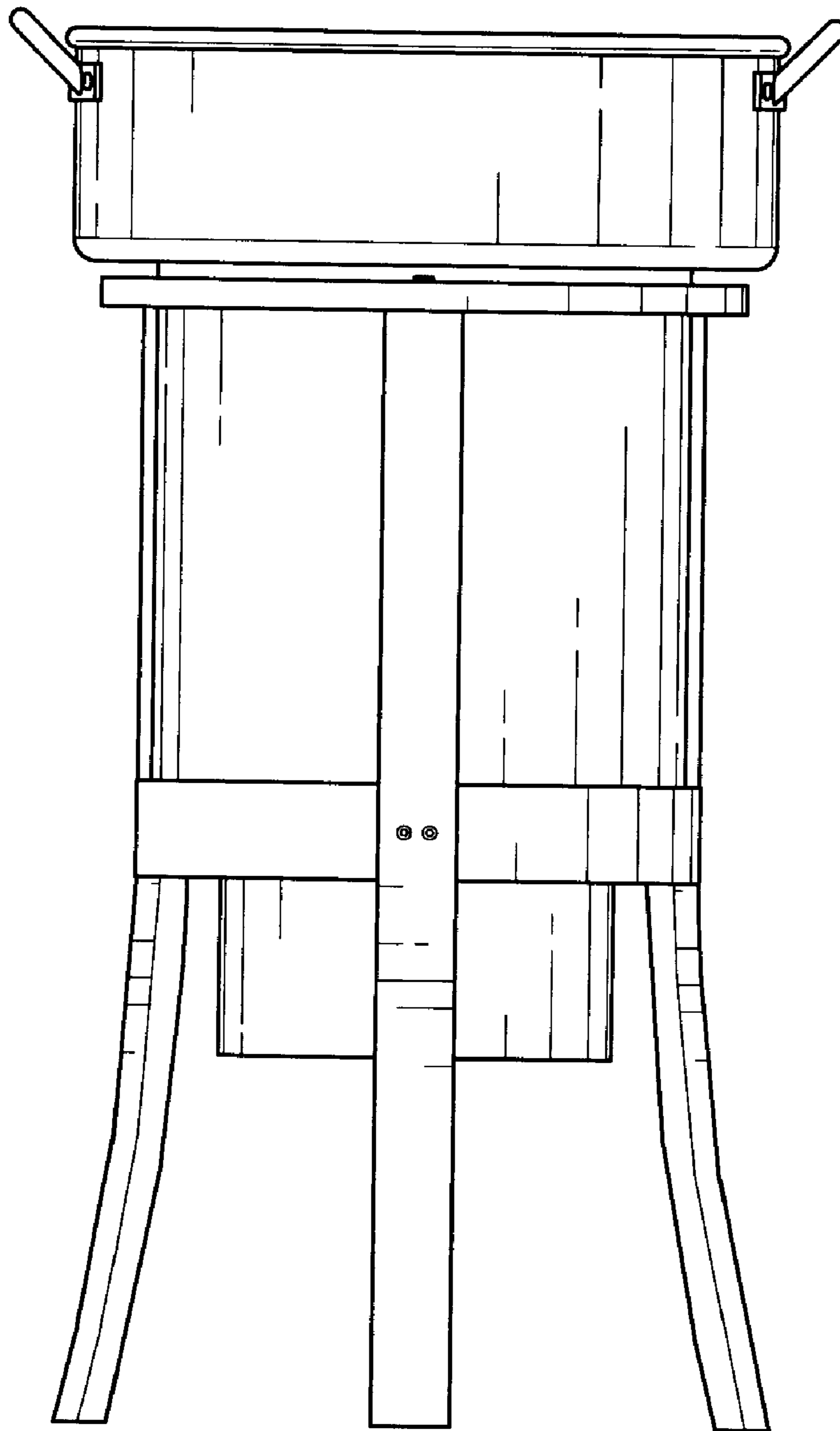


Fig. 5

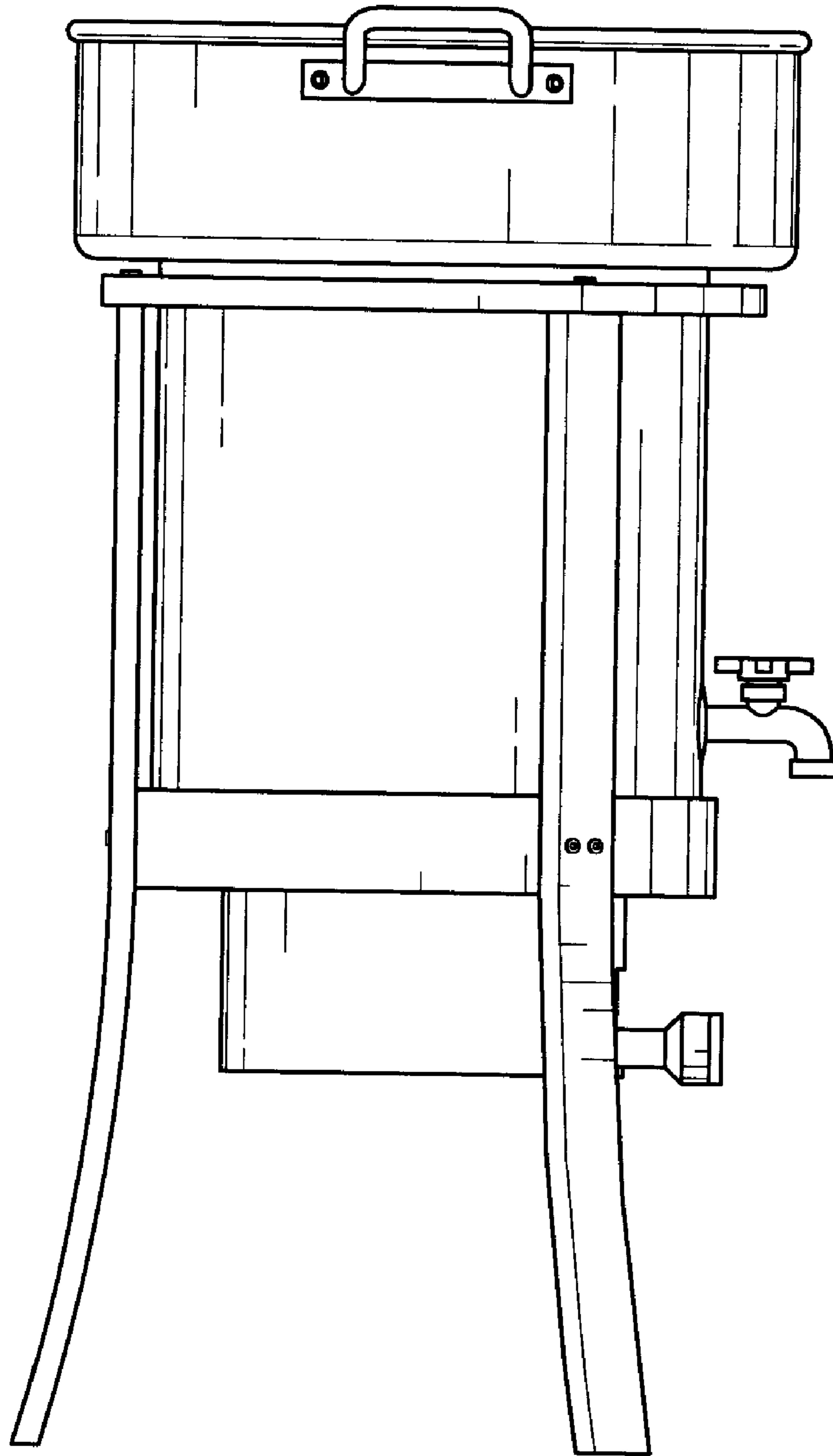


Fig. 6

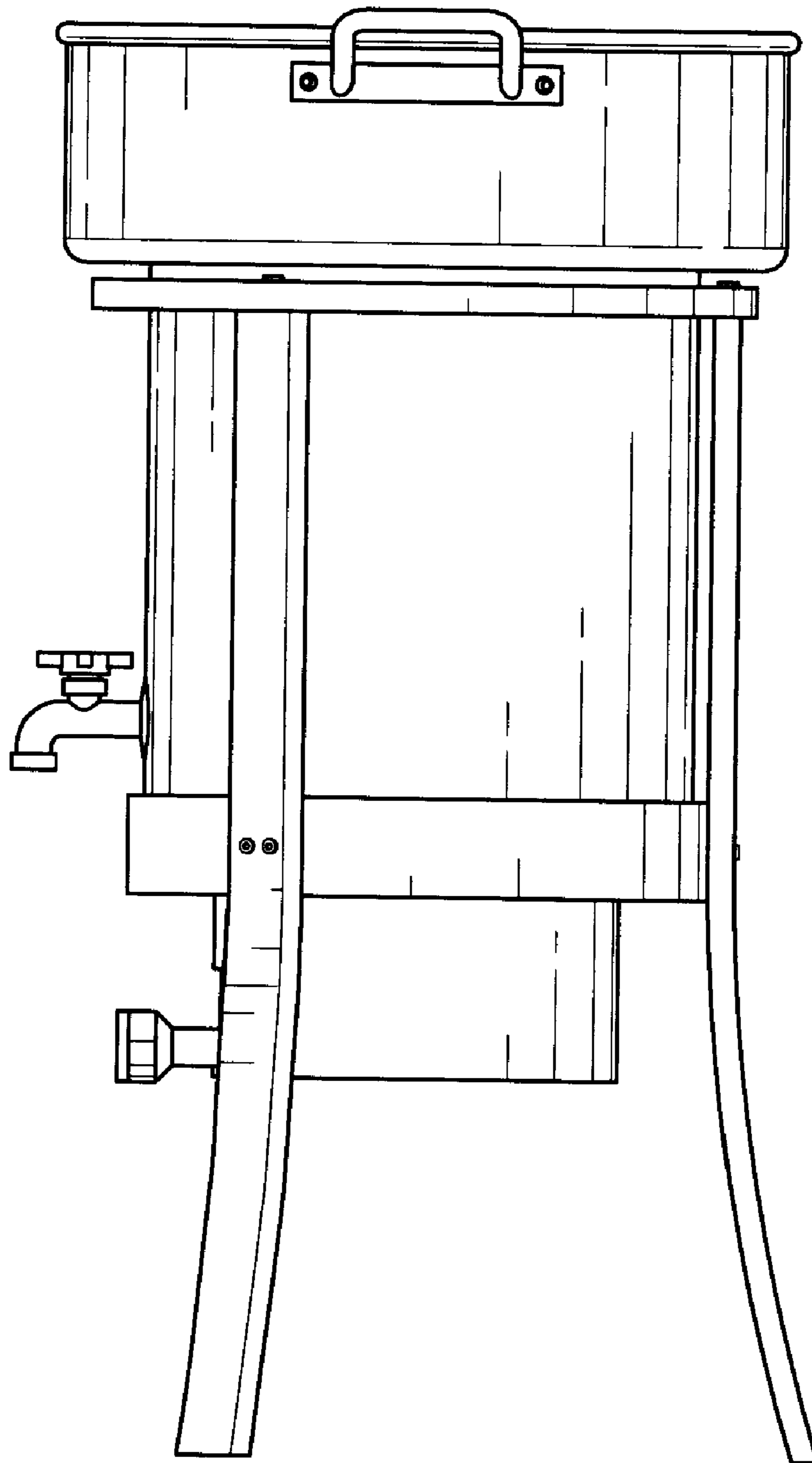


Fig. 7