

US00D548512S

(12) **United States Design Patent**
Nakatani

(10) **Patent No.:** **US D548,512 S**

(45) **Date of Patent:** **** Aug. 14, 2007**

(54) **TOASTER**

(75) Inventor: **Shizuo Nakatani**, Kita-ku (JP)

(73) Assignee: **Zojirushi Corporation**, Osaka (JP)

(**) Term: **14 Years**

(21) Appl. No.: **29/268,714**

(22) Filed: **Nov. 10, 2006**

(30) **Foreign Application Priority Data**

May 18, 2006 (JP) 2006-012586

(51) **LOC (8) Cl.** **07-02**

(52) **U.S. Cl.** **D7/330**

(58) **Field of Classification Search** D7/323,
D7/328-333, 385, 390, 340, 341, 346, 354-365,
D7/367, 402, 405-411; D13/158, 162, 162.1,
D13/163; D21/525; 99/331, 332, 357, 375,
99/385; 219/214, 388, 405, 443.1, 450.1,
219/492

See application file for complete search history.

(56) **References Cited**

U.S. PATENT DOCUMENTS

D118,511 S *	1/1940	Reinecke et al.	D7/330
D124,059 S *	12/1940	Christenson, Jr. et al. ...	D7/330
D130,748 S *	12/1941	Reinecke et al.	D7/330
D149,937 S *	6/1948	Dailey	D7/330
D150,134 S *	7/1948	Guild	D7/330
D298,997 S *	12/1988	Mezey	D7/330
D347,356 S *	5/1994	Yim	D7/360
D384,542 S *	10/1997	Pena Angarita	D7/330
D415,924 S *	11/1999	Powel	D7/330
D418,002 S *	12/1999	Carbone	D7/330
D432,345 S *	10/2000	Saltet	D7/330

D470,709 S *	2/2003	Starr et al.	D7/330
D473,093 S *	4/2003	To	D7/330
D474,368 S *	5/2003	Averty	D7/330
D490,267 S *	5/2004	Berthier	D7/330
D492,536 S *	7/2004	Wong et al.	D7/330
D502,629 S *	3/2005	Guyett et al.	D7/330
D509,702 S *	9/2005	Picozza et al.	D7/330
D520,801 S *	5/2006	Cuffaro et al.	D7/330
D523,683 S *	6/2006	Guyett et al.	D7/330
D527,568 S *	9/2006	Page et al.	D7/330

* cited by examiner

Primary Examiner—Cathron C. Brooks

Assistant Examiner—Ricky Pham

(74) *Attorney, Agent, or Firm*—Koda & Androlia

(57) **CLAIM**

The ornamental design for a toaster, as shown and described.

DESCRIPTION

FIG. 1 is a perspective view taken from the front, top and left side of the toaster showing my new design;

FIG. 2 is a top plan view thereof;

FIG. 3 is a front elevational view thereof;

FIG. 4 is a left side elevational view thereof;

FIG. 5 is a right side elevational view thereof;

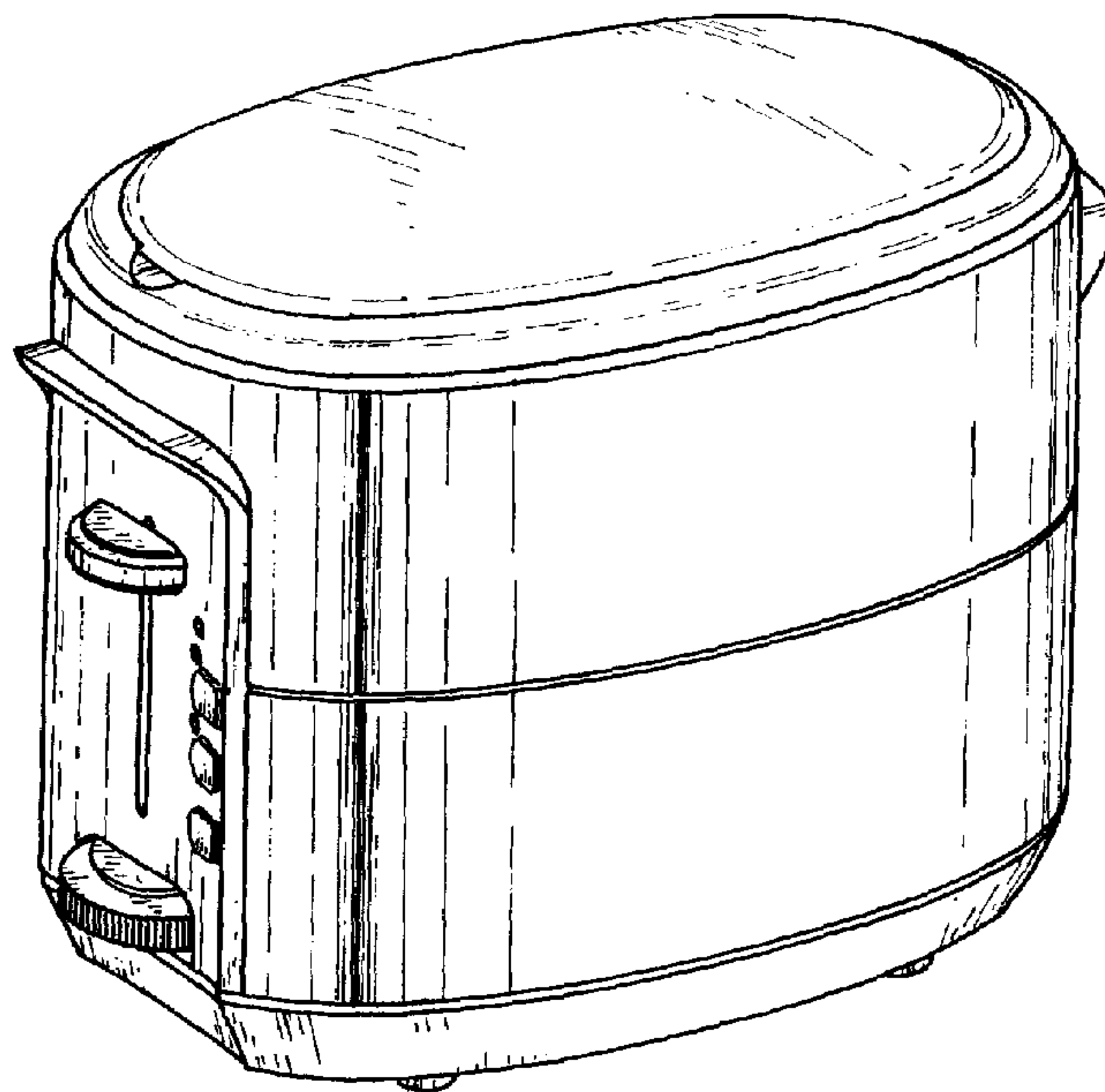
FIG. 6 is a rear elevational view thereof;

FIG. 7 is bottom plan view thereof;

FIG. 8 is a perspective view taken from the front, top and left side of the toaster, shown with the top removed for completeness of illustration; and,

FIG. 9 is top plan view thereof, shown with the top removed for completeness of illustration.

1 Claim, 6 Drawing Sheets



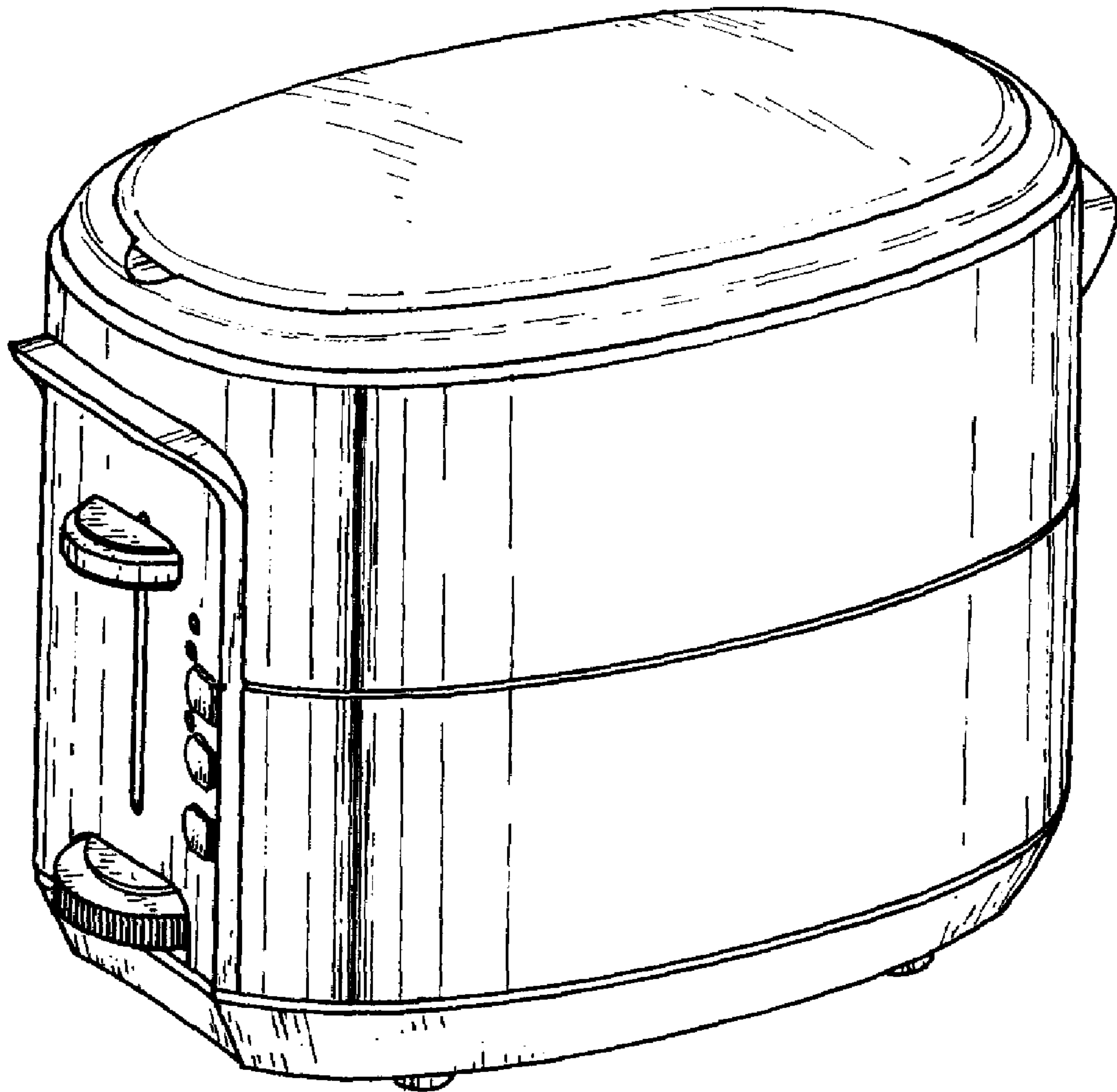


FIG. 1

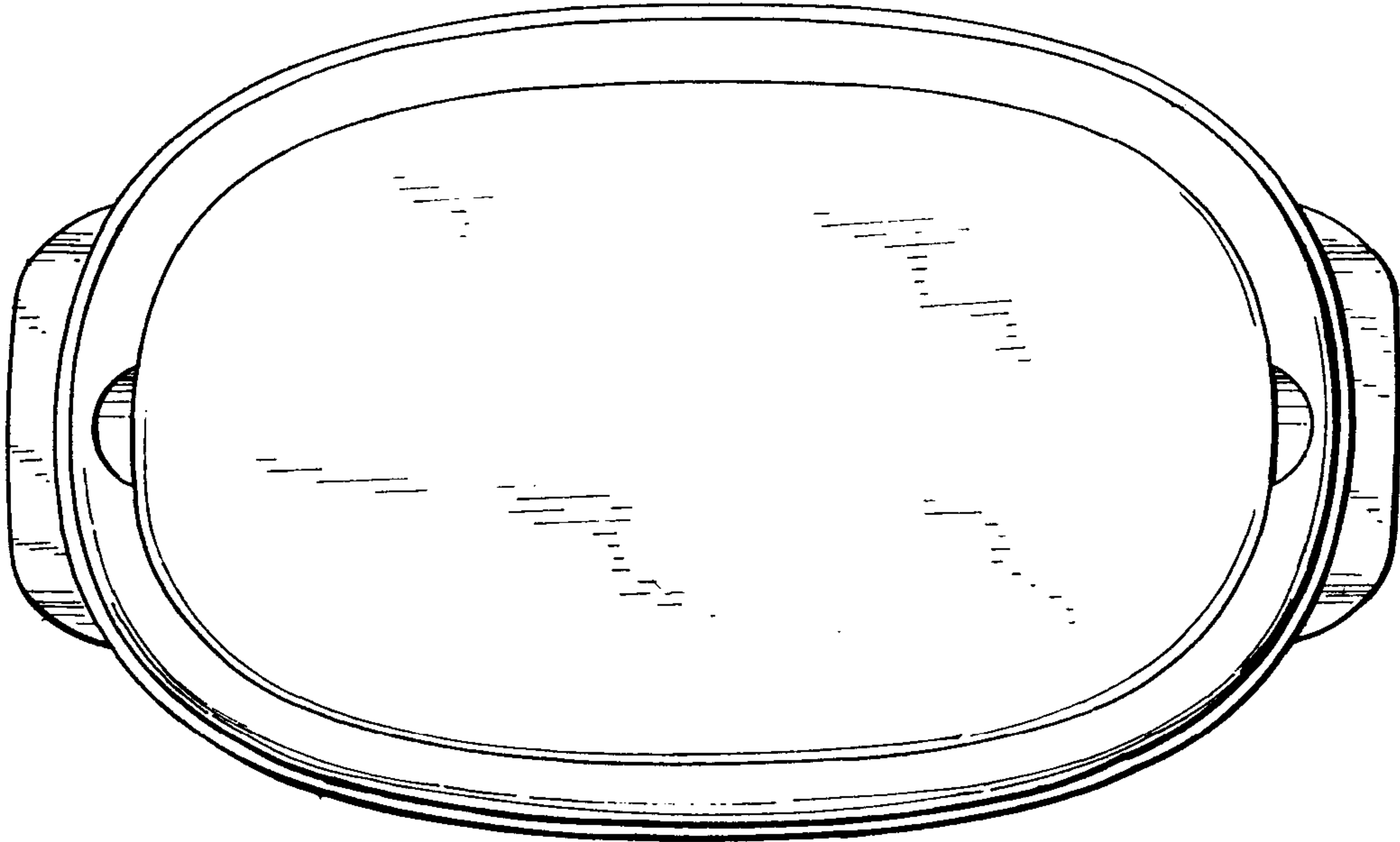


FIG. 2

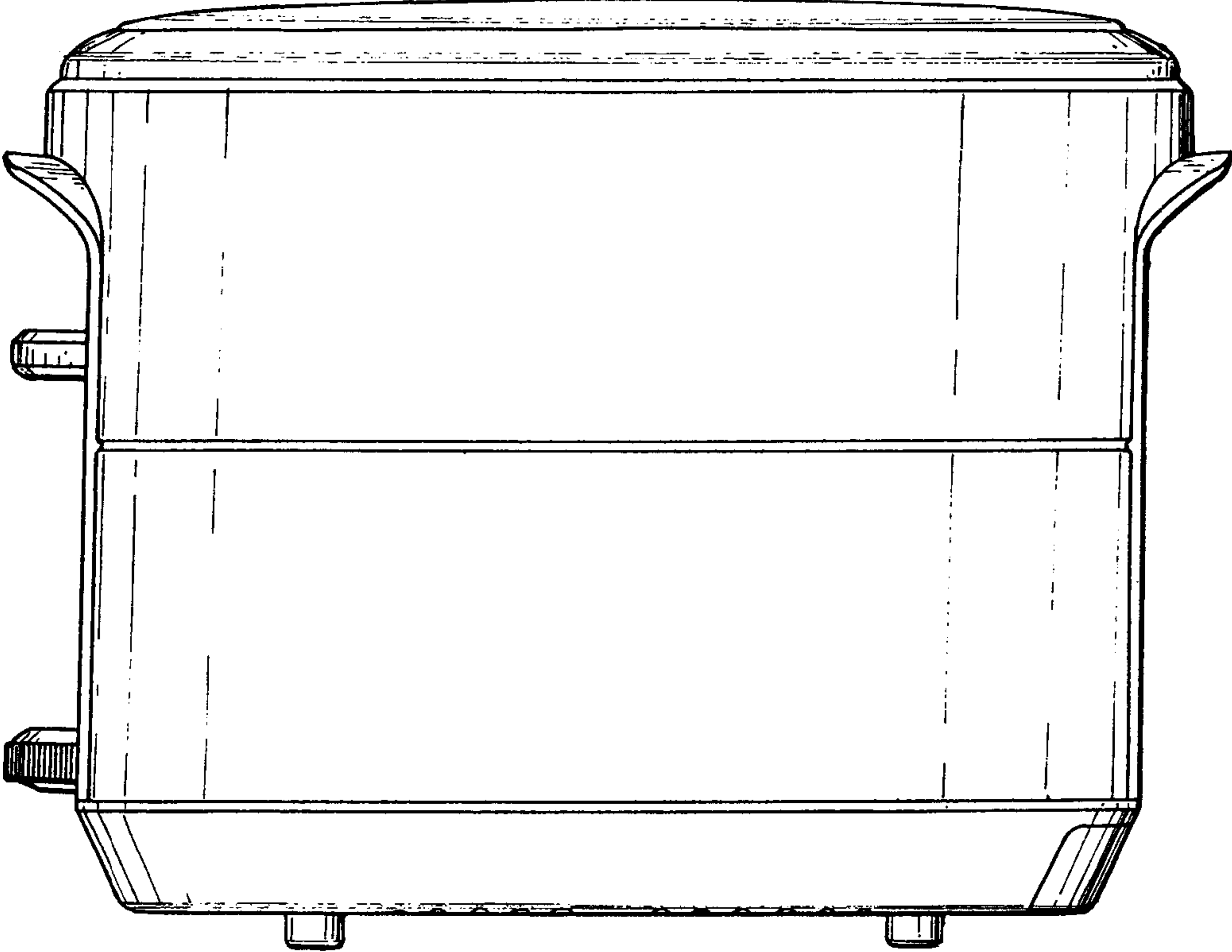


FIG. 3

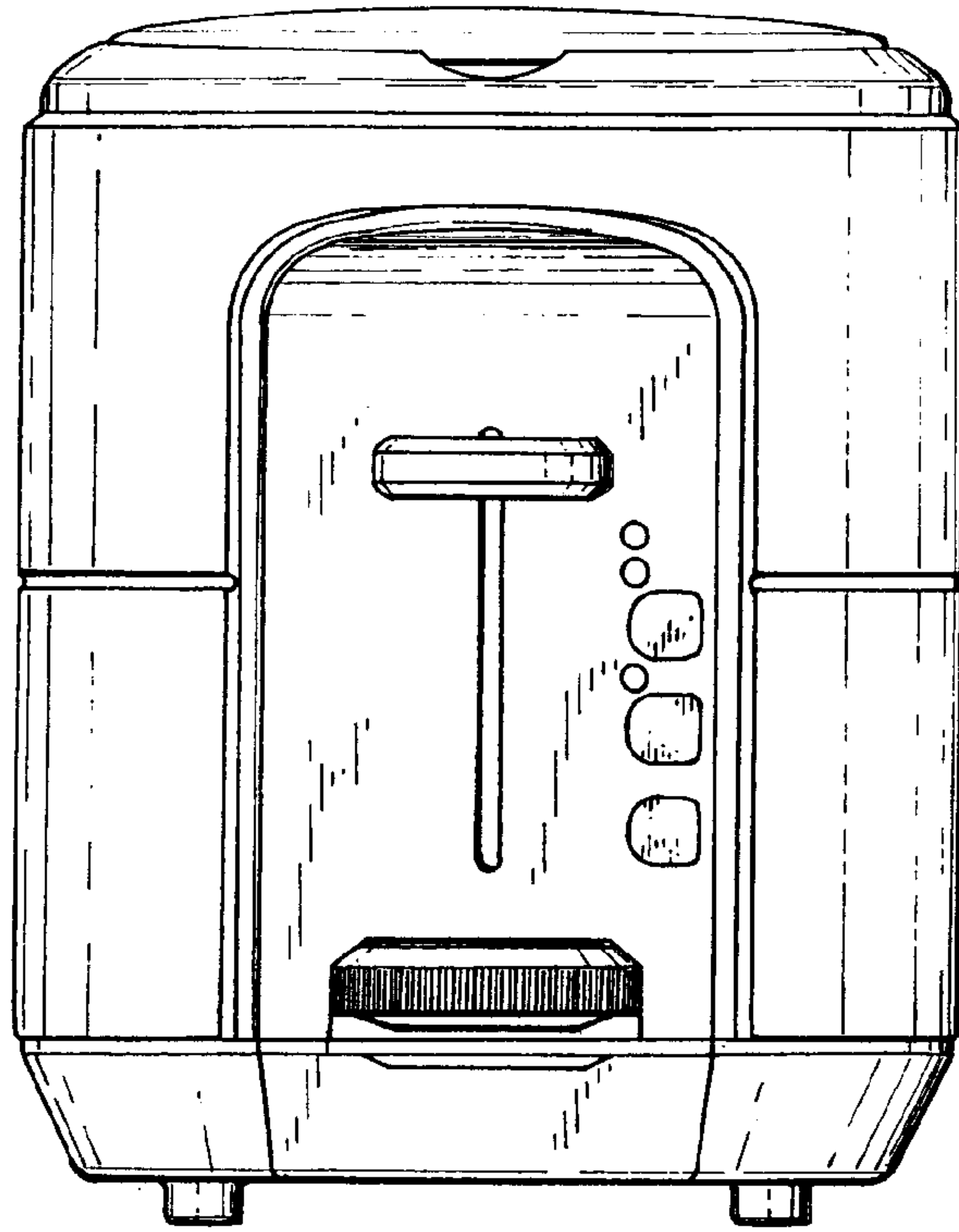


FIG. 4

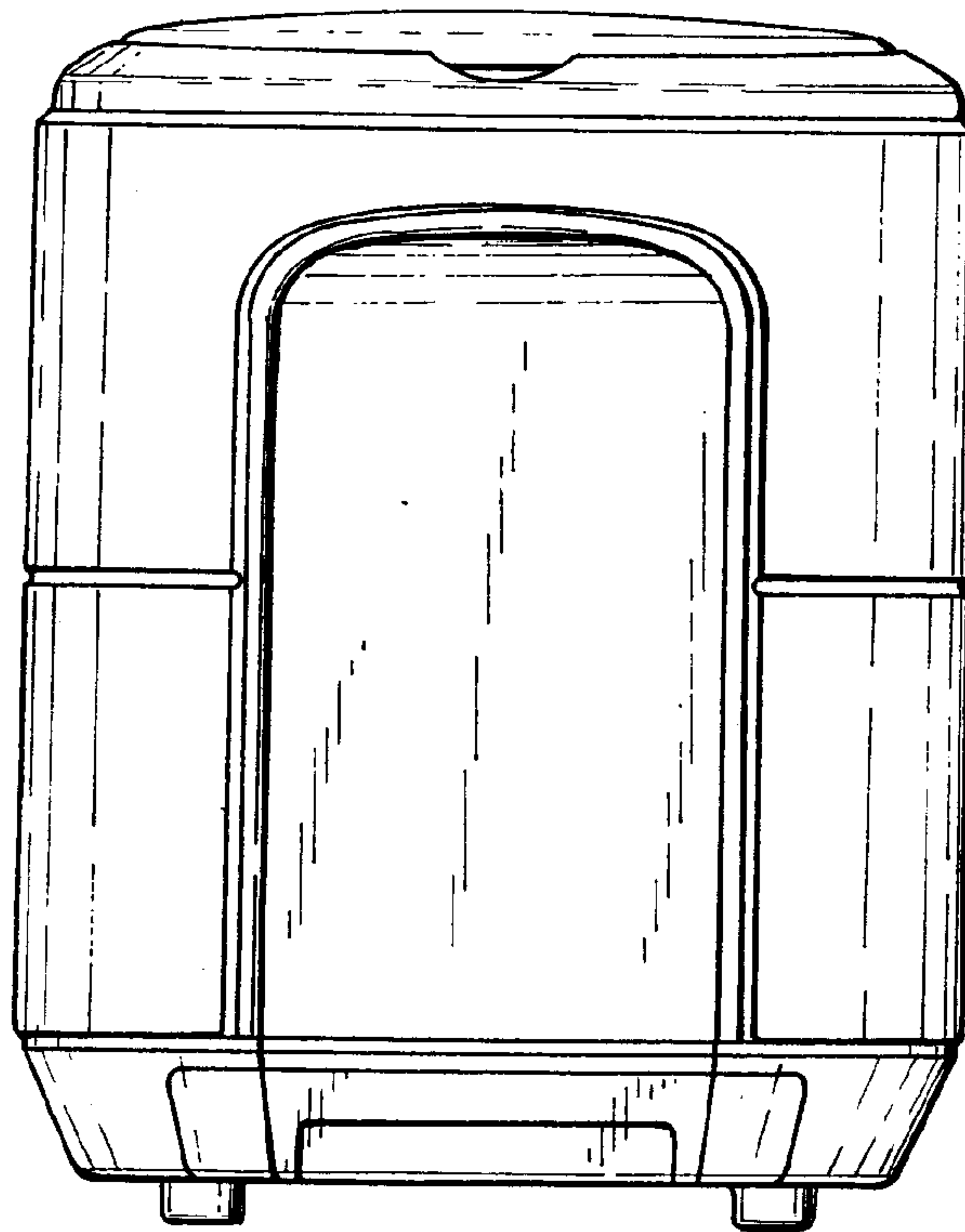


FIG. 5

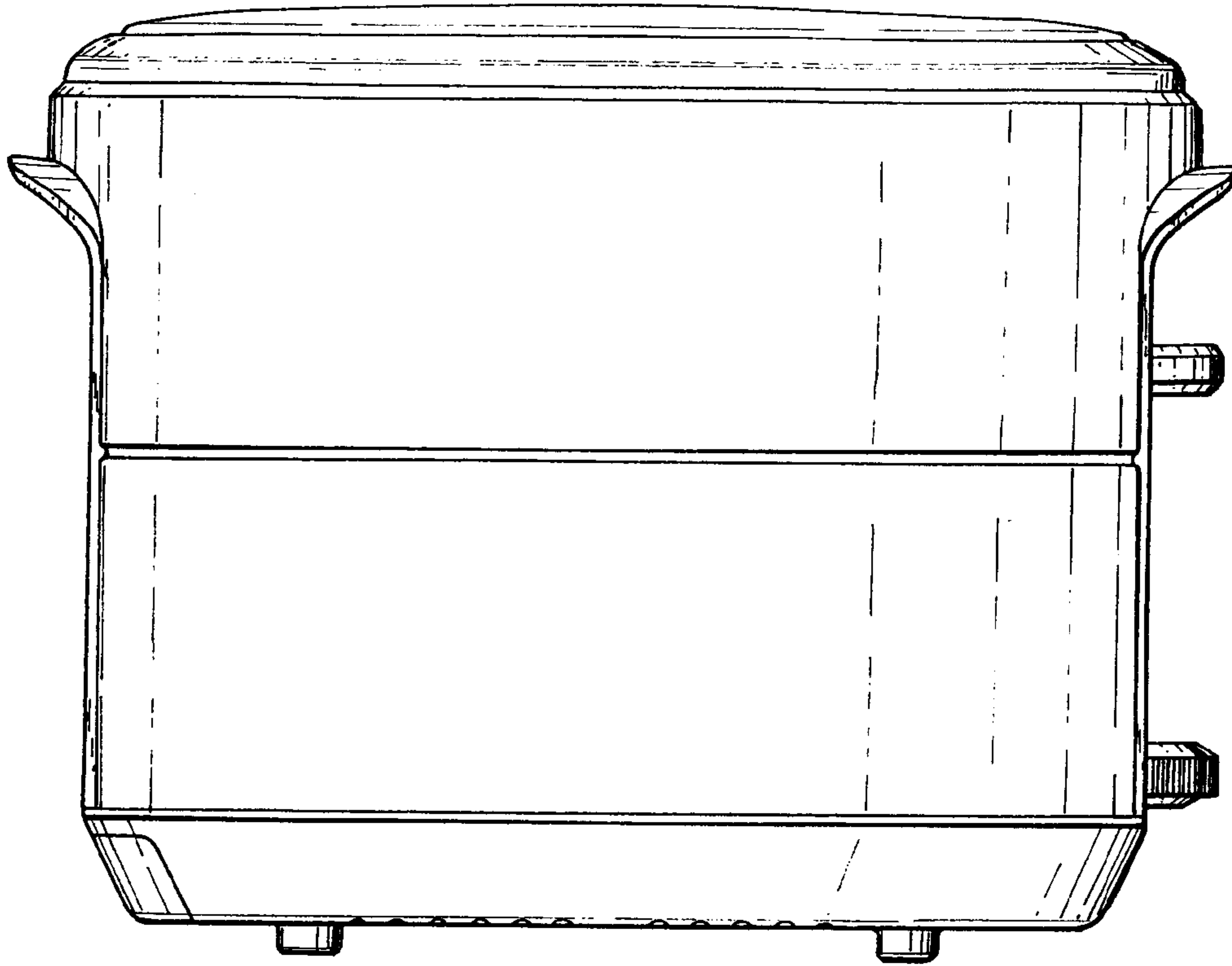


FIG. 6

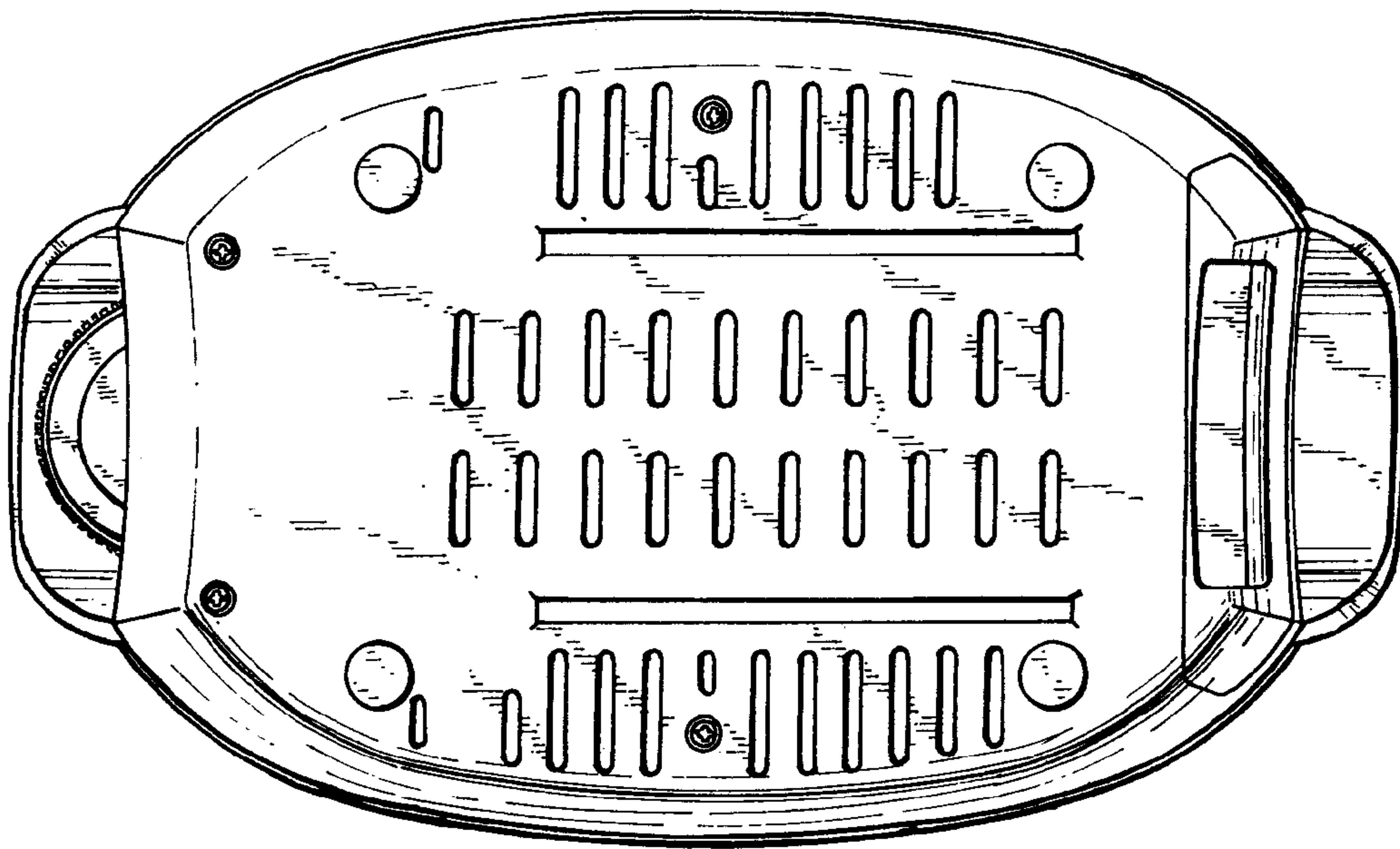


FIG. 7

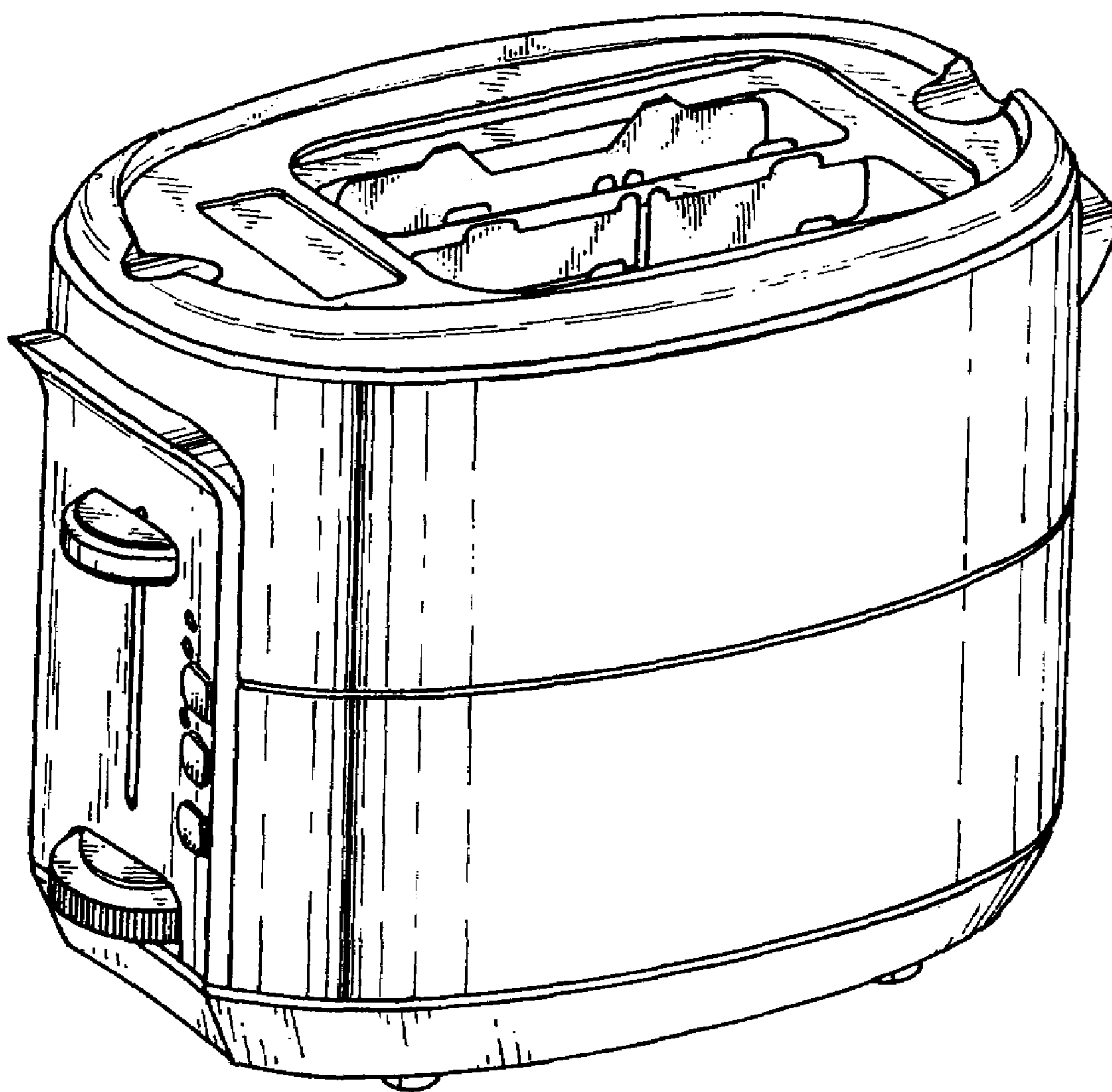


FIG. 8

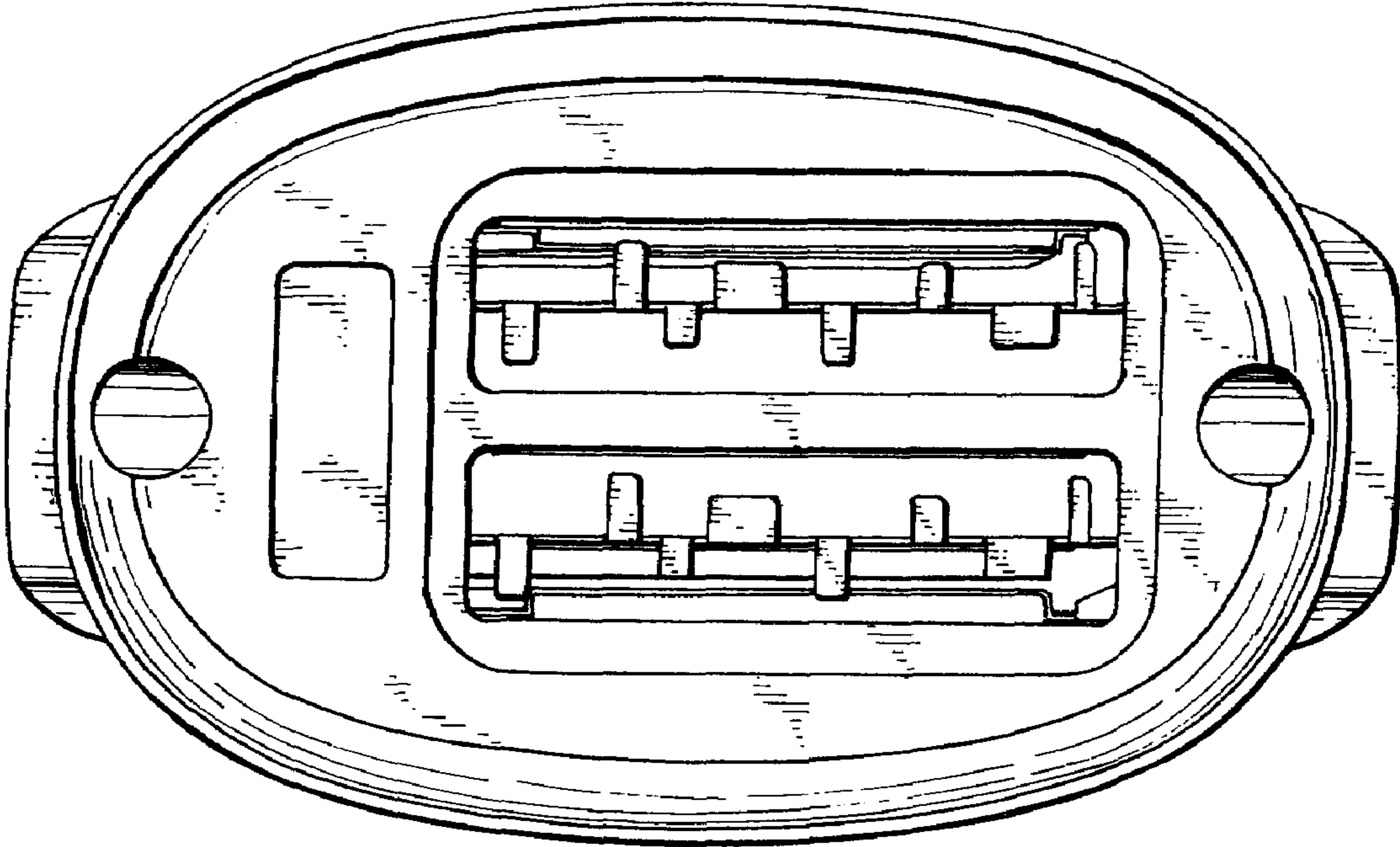


FIG. 9