

US00D548507S

(12) **United States Design Patent**
Jacquet et al.

(10) **Patent No.: US D548,507 S**

(45) **Date of Patent: ** Aug. 14, 2007**

(54) **DRINK MACHINE**

D511,432 S * 11/2005 Babkes D7/319
D522,793 S * 6/2006 Weaden D7/309

(75) Inventors: **Rémy Jacquet**, Le Locle (CH); **Yves Marmier**, La Chaux-de-Fonds (CH); **Pierre Struzka**, Lausanne (CH); **William Kohler**, La Chaux-de-Fonds (CH); **Camille Mairot**, Valdahon (FR)

* cited by examiner

Primary Examiner—M. N. Pandozzi
(74) *Attorney, Agent, or Firm*—Bell, Boyd & Lloyd LLP

(73) Assignee: **Societe des Produits Nestle S.A.**, Vevey (CH)

(57) **CLAIM**

The ornamental design for a drink machine, as shown and described.

(**) Term: **14 Years**

(21) Appl. No.: **29/242,386**

(22) Filed: **Nov. 9, 2005**

(30) **Foreign Application Priority Data**

May 10, 2005 (CH) 131758

(51) **LOC (8) Cl.** **07-01**

(52) **U.S. Cl.** **D7/309; D7/310; D7/311**

(58) **Field of Classification Search** D7/309–311,
D7/306–308, 374, 399, 397, 398, 305; 222/129.1–129;
219/432; 99/292, 275, 323.3, 282; 62/125
See application file for complete search history.

(56) **References Cited**

U.S. PATENT DOCUMENTS

- D299,304 S * 1/1989 Knochner et al. D7/309
- D353,296 S * 12/1994 Assmann D7/309
- D386,943 S * 12/1997 Demore et al. D7/397
- D393,568 S * 4/1998 Storsberg D7/400
- D430,771 S * 9/2000 Saltet D7/309
- D496,214 S * 9/2004 Ledingham et al. D7/309
- D496,553 S * 9/2004 Bodum D7/309
- D501,751 S * 2/2005 Lin D7/309
- D502,053 S * 2/2005 Bodum D7/400

DESCRIPTION

FIG. 1 illustrates a front perspective view of the drink machine and capsule holder.

FIG. 2 illustrates a right side view of the drink machine and capsule holder of FIG. 1.

FIG. 3 illustrates a left side view of the drink machine and capsule holder of FIG. 1.

FIG. 4 illustrates a top view of the drink machine and capsule holder of FIG. 1.

FIG. 5 illustrates a front view of the drink machine and capsule holder of FIG. 1.

FIG. 6 illustrates a back view of the drink machine and capsule holder of FIG. 1; and,

FIG. 7 illustrates a front perspective view of a second alternative embodiment of the drink machine and capsule holder of FIG. 1, wherein the ball handle and platform are located at alternatives positions on the drink machine.

The broken line showings of the drink machine and capsule holder are for illustrative purposes only and form no part of the claimed design. The bottom of the drink machine is flat and is devoid of surface ornamentation.

1 Claim, 5 Drawing Sheets

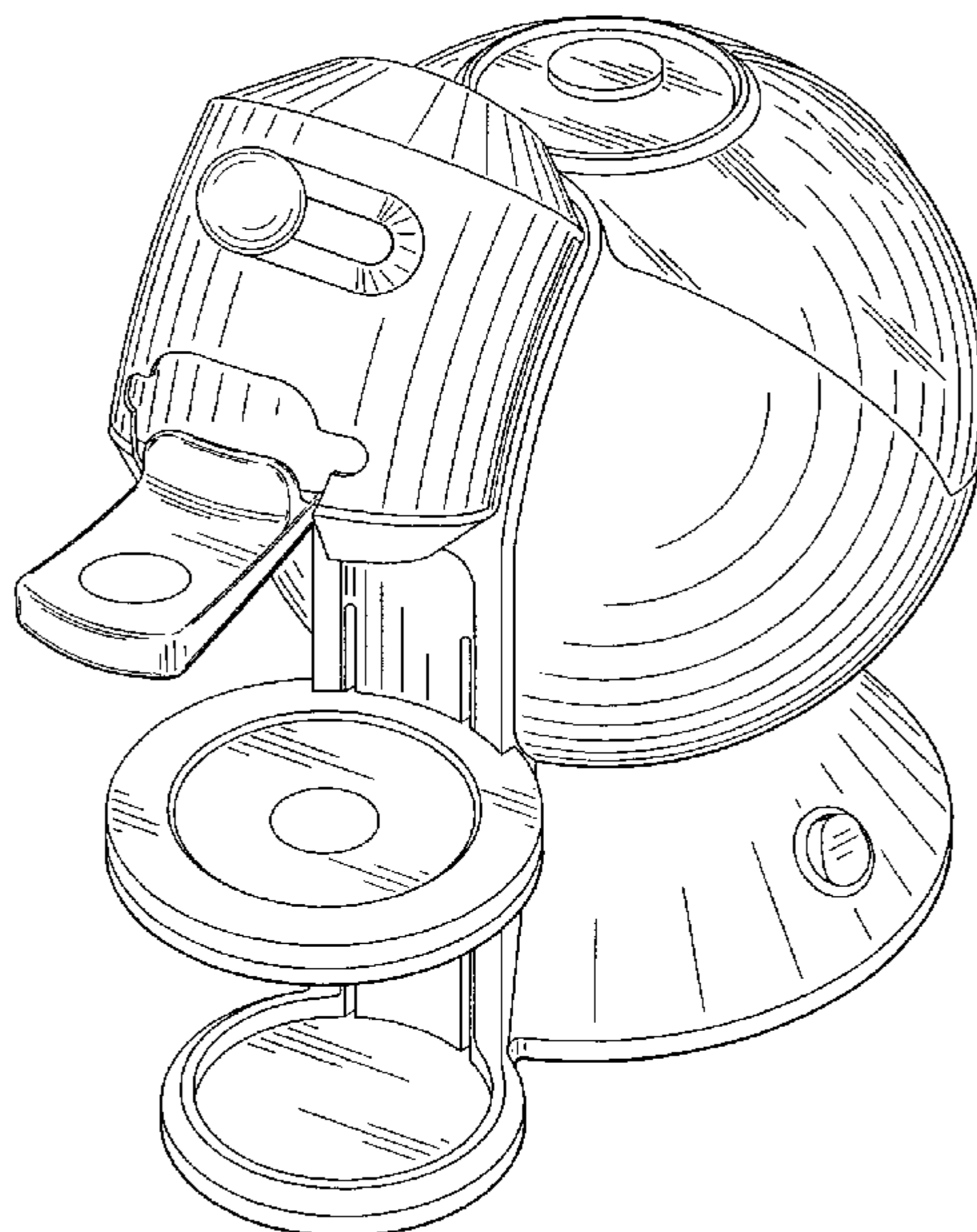


FIG. 1

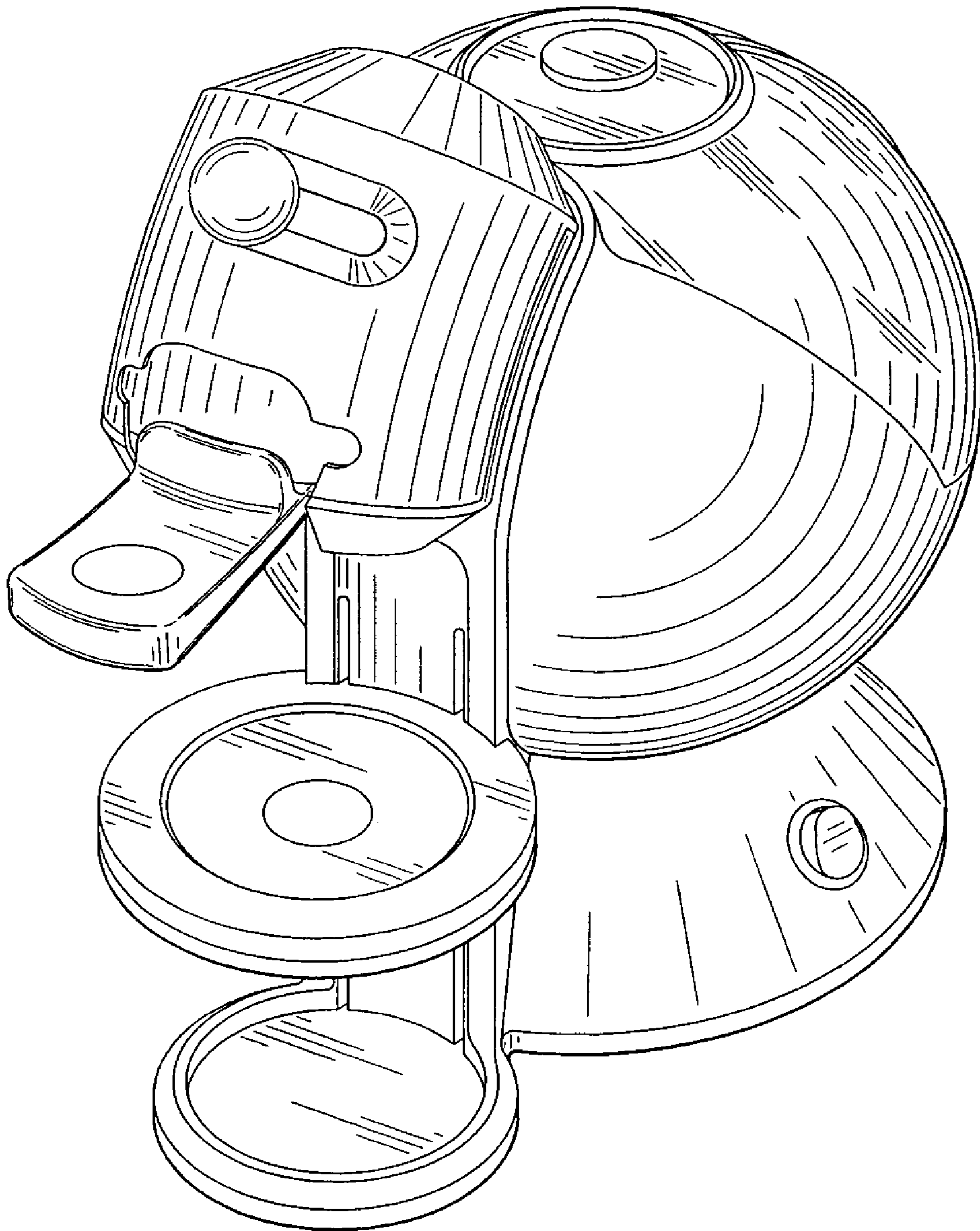


FIG. 2

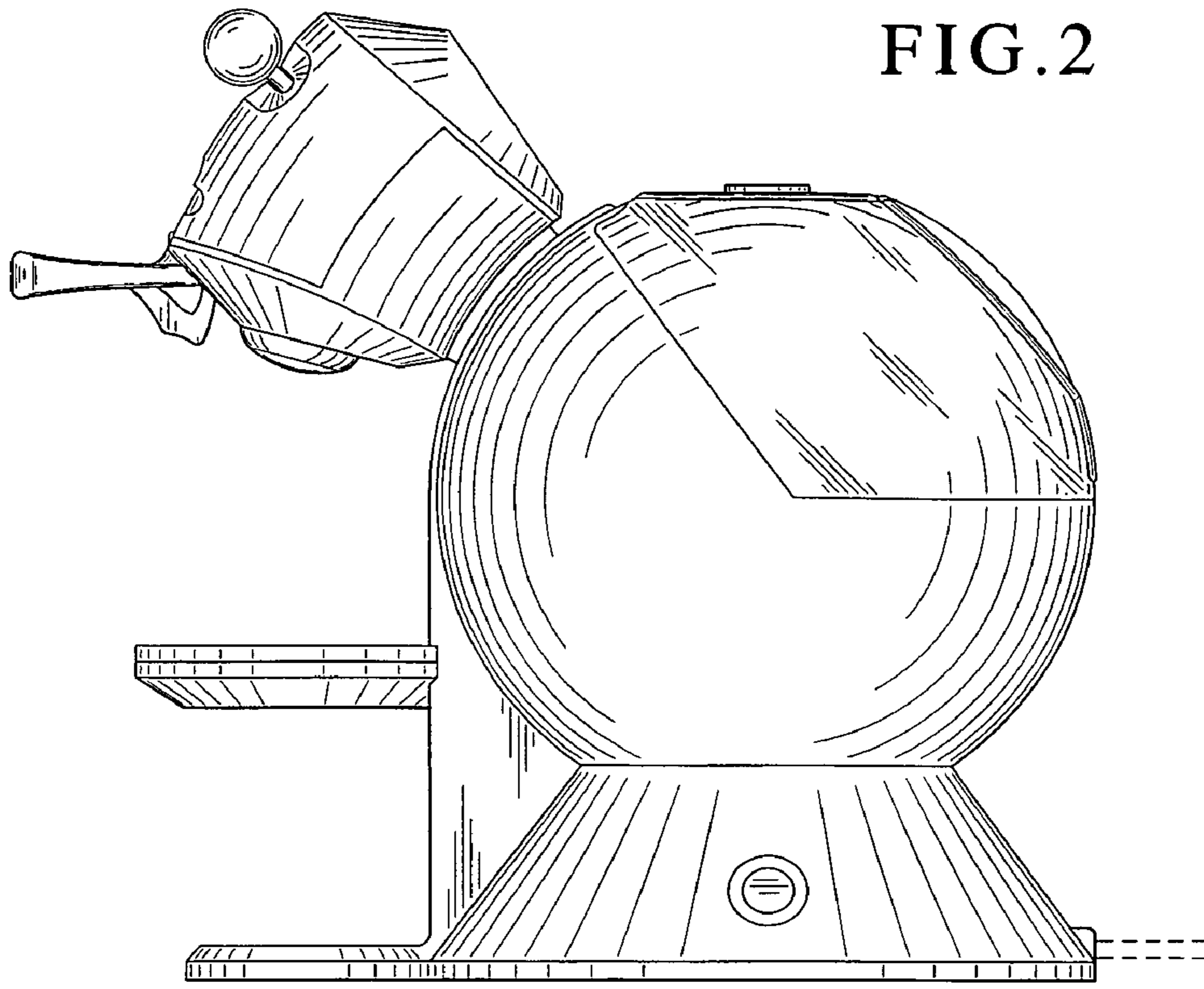


FIG. 3

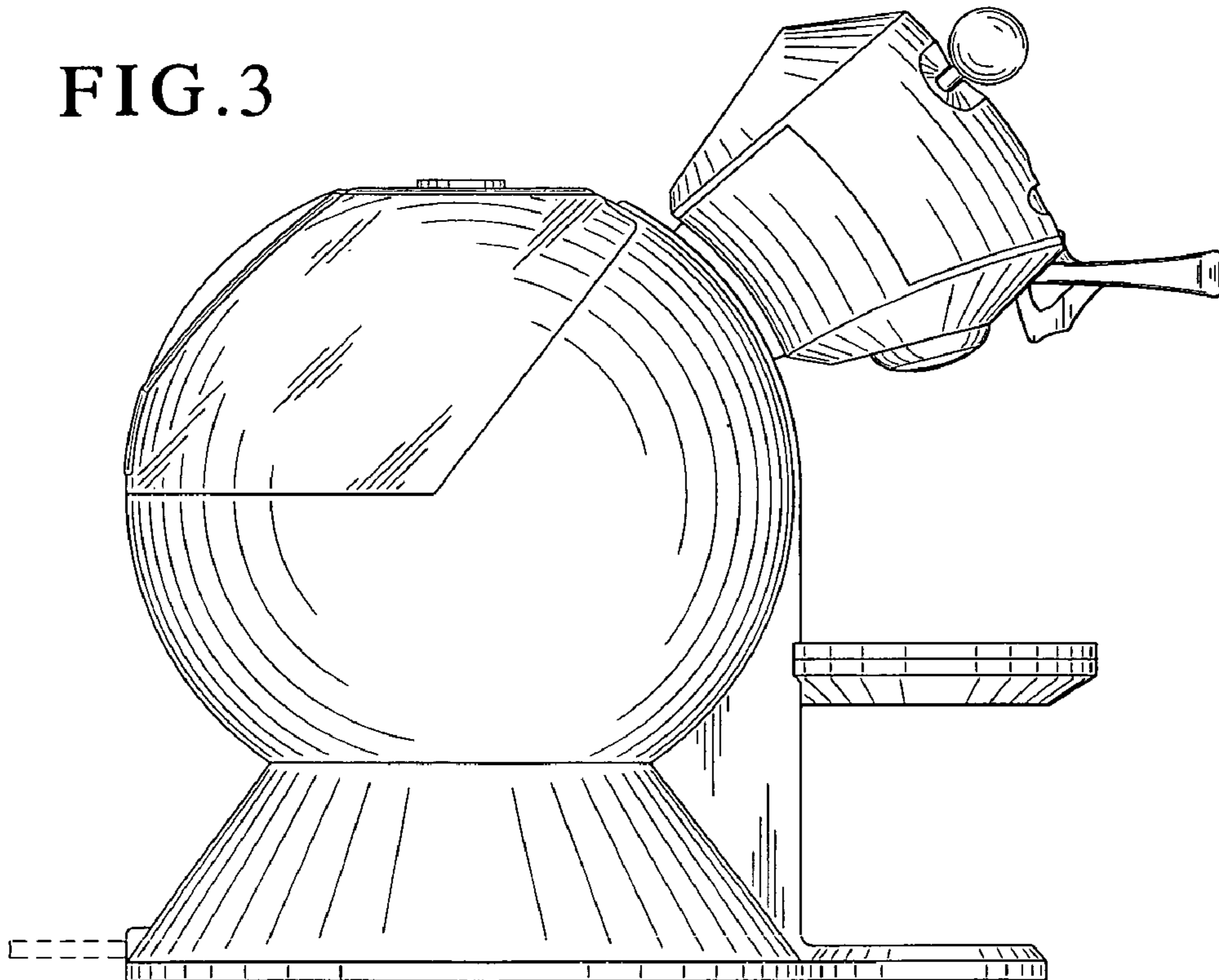


FIG. 4

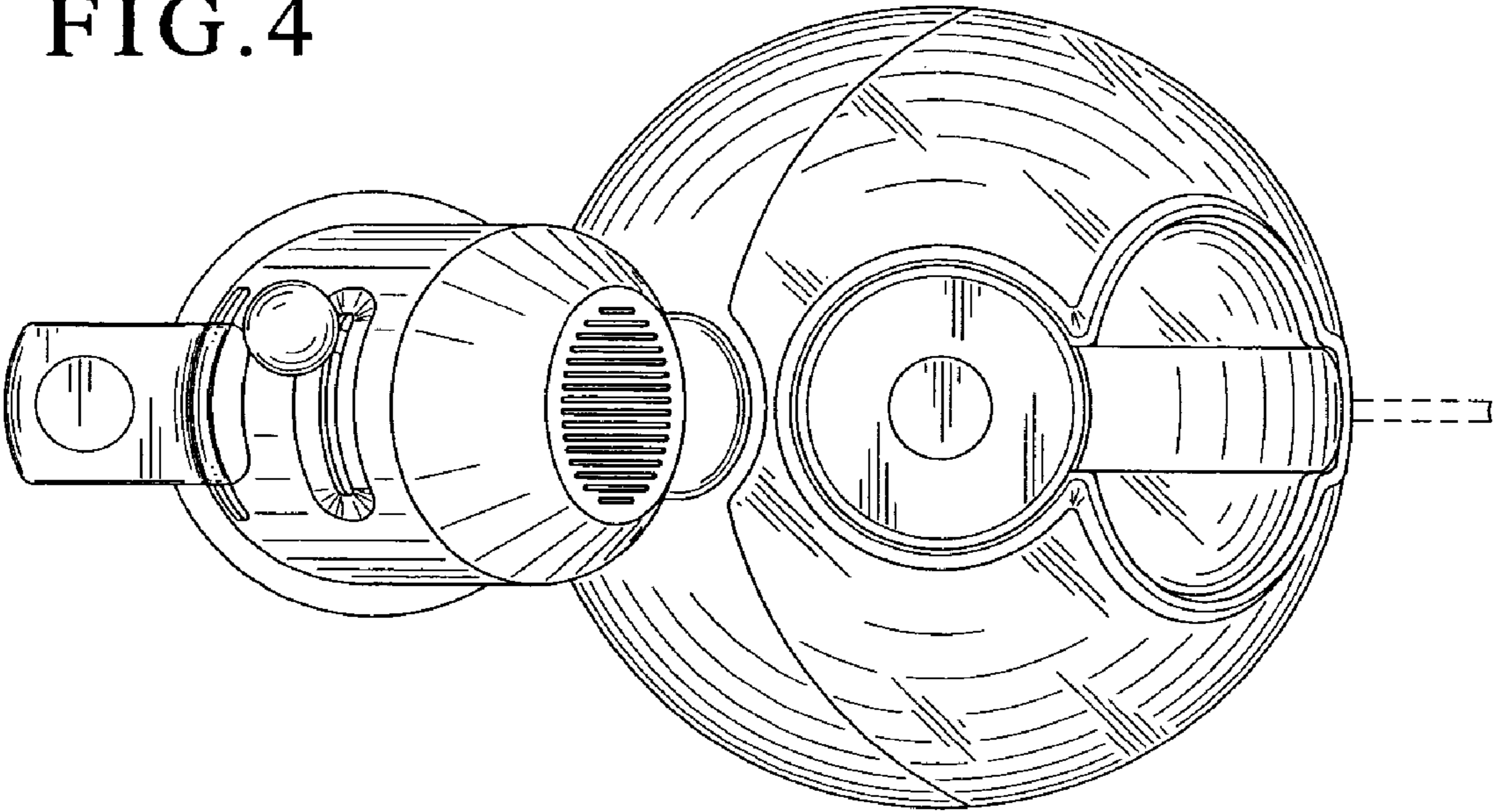


FIG. 5

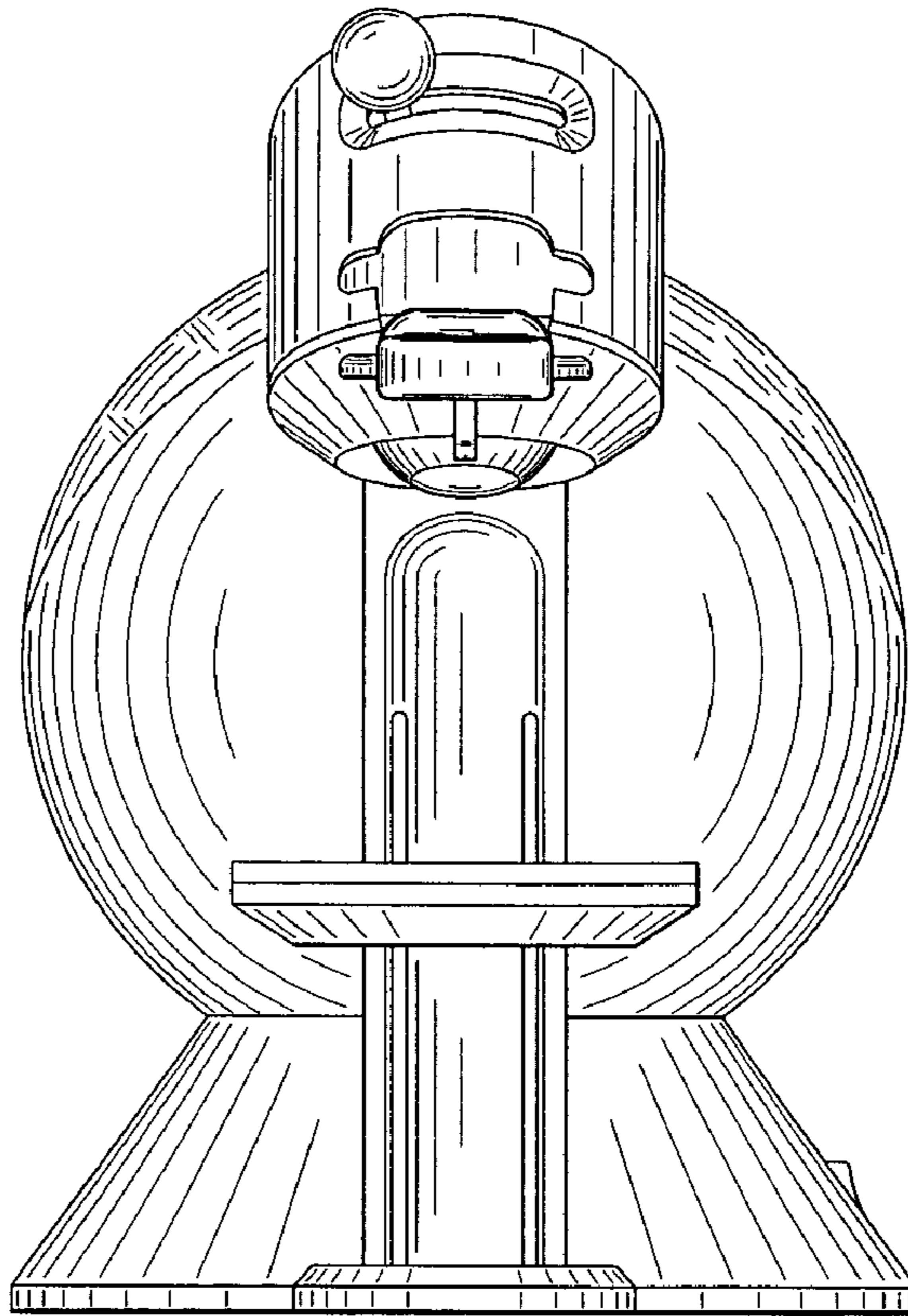


FIG. 6

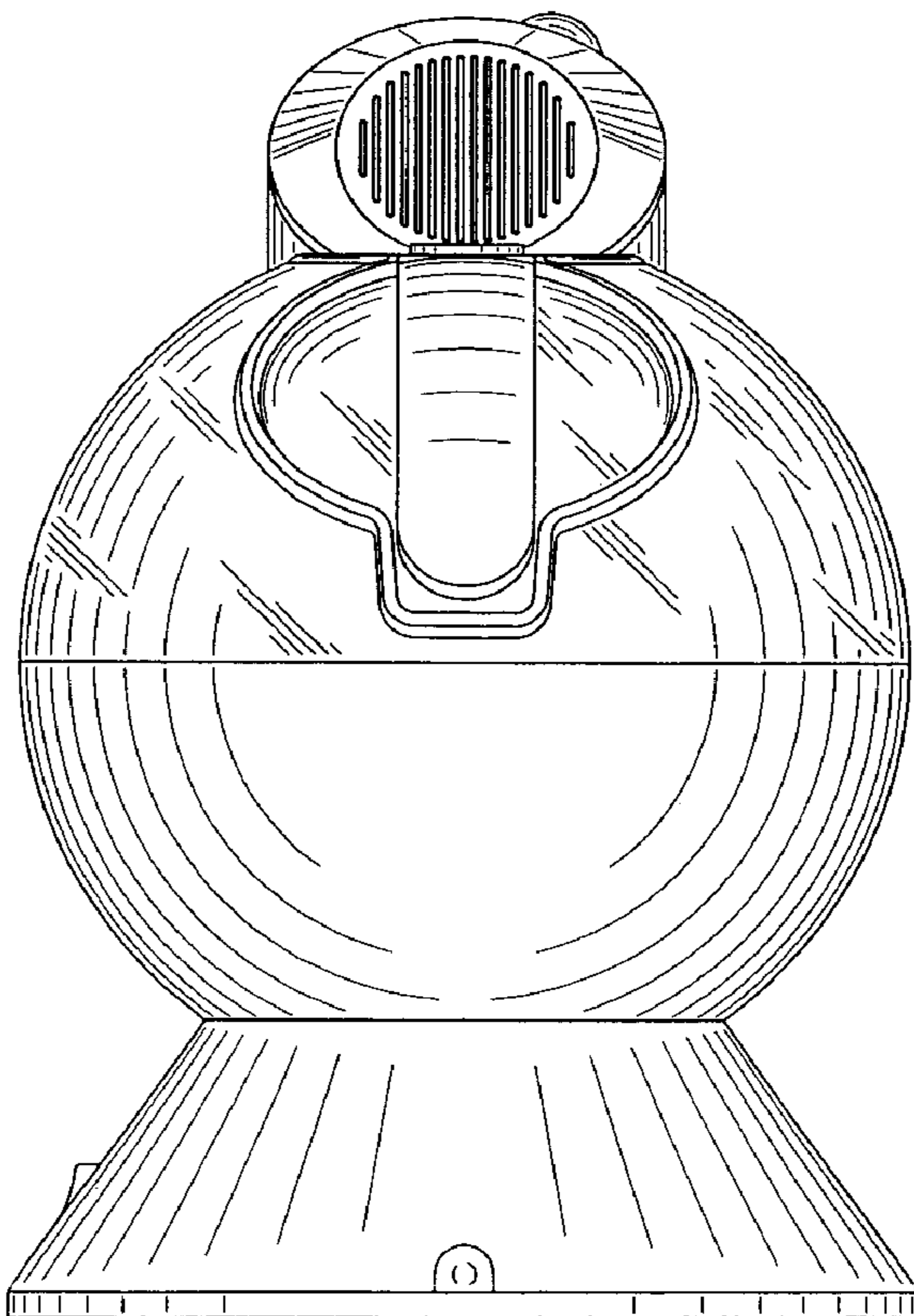


FIG. 7

