



US00D548504S

(12) **United States Design Patent**
Yang et al.

(10) **Patent No.:** **US D548,504 S**
(45) **Date of Patent:** **** Aug. 14, 2007**

(54) **FLIP TOP PAPER TOWEL HOLDER**

(74) *Attorney, Agent, or Firm*—Liu & Liu

(75) Inventors: **Frank Yang**, Rancho Palos Verdes, CA (US); **Tzu-Hao Wei**, Hacienda Heights, CA (US); **Chih-Hong Hsieh**, West Covina, CA (US); **Myk Wayne Lum**, Irvine, CA (US); **Yoon J. Kim**, Long Beach, CA (US)

(57) **CLAIM**

The ornamental design for the flip top paper towel holder, as shown and described.

(73) Assignee: **Simplehuman LLC**, Torrance, CA (US)

(**) Term: **14 Years**

(21) Appl. No.: **29/260,509**

(22) Filed: **May 24, 2006**

(51) **LOC (8) Cl.** **20-02**

(52) **U.S. Cl.** **D6/521**

(58) **Field of Classification Search** D6/518–523;
206/389, 391; 211/13.1, 59.1, 45, 89.01;
242/570, 590, 597, 597.7, 130.2; 248/309.1,
248/309.2

See application file for complete search history.

(56) **References Cited**

U.S. PATENT DOCUMENTS

3,370,805 A 2/1968 Barbee
4,030,676 A 6/1977 Bardsley

(Continued)

FOREIGN PATENT DOCUMENTS

DE 3613988 9/1987
EP 473247 3/1992

OTHER PUBLICATIONS

Website page, www.oxo.com, Grip & Rip Paper Towel Holder—Stainless Steel, OXO International.

(Continued)

Primary Examiner—Brian N Vinson

DESCRIPTION

FIG. 1 is a right perspective view of a flip top paper towel holder showing our new design;

FIG. 2 is a left side view thereof;

FIG. 3 is a right side view thereof, with broken lines illustrating a paper towel roll positioned thereon;

FIG. 4 is a rear view thereof;

FIG. 5 is a front view thereof;

FIG. 6 is a top plan view thereof;

FIG. 7 is a bottom plan view thereof; and

FIG. 8 is a right perspective view thereof, illustrating a paper towel roll positioned on the flip top paper towel holder, shown with the top in the flip-up position to allow placement of the paper towel roll on the holder.

FIGS. 9 to 14 illustrate an alternate embodiment, showing a contrast in materials using stippling to differentiate between areas of the flip top paper towel holder illustrated in FIGS. 1 to 7, whereas:

FIG. 9 is a right side perspective view of the alternate embodiment;

FIG. 10 is a detailed left side view thereof;

FIG. 11 is a detailed right side view thereof;

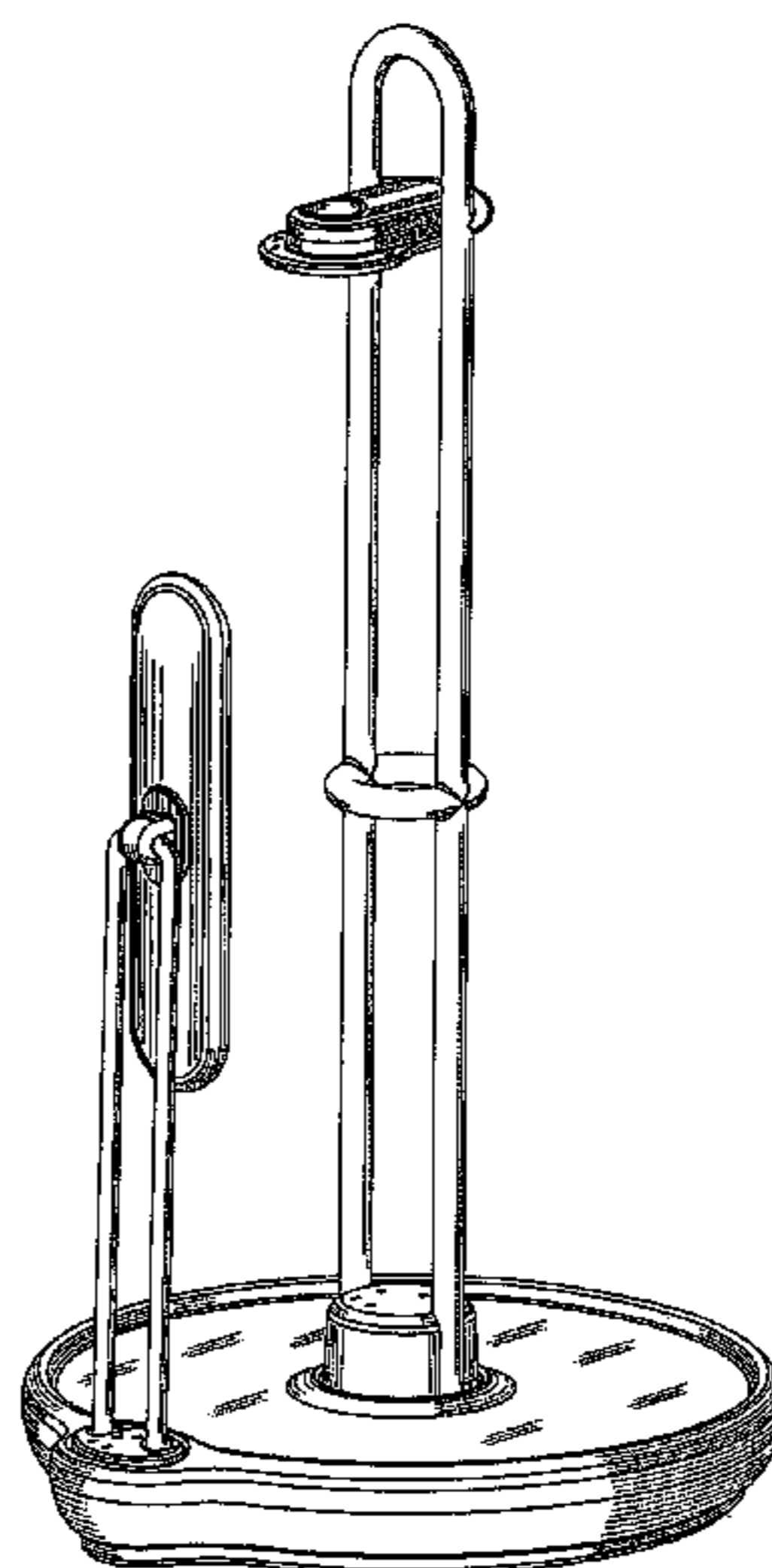
FIG. 12 is a detailed rear view thereof;

FIG. 13 is a detailed front view thereof; and,

FIG. 14 is a detailed top plan view thereof.

The structures shown in dotted lines do not form a part of the inventive design in the present application.

1 Claim, 14 Drawing Sheets



US D548,504 S

Page 2

U.S. PATENT DOCUMENTS

4,487,376 A 12/1984 Compton
4,690,345 A 9/1987 Cotey
4,720,053 A 1/1988 Vance
4,738,385 A 4/1988 Bell
D298,290 S 11/1988 Wilkerson
D298,597 S * 11/1988 Bell D6/521
5,135,179 A 8/1992 Morano
5,170,956 A 12/1992 McTaggart
D398,466 S 9/1998 Odom
5,938,141 A 8/1999 Kanbar
D432,826 S 10/2000 Shimbo et al.
D432,828 S * 10/2000 Snell D6/522
D450,962 S 11/2001 Hundley
6,478,246 B2 11/2002 Fahringer
D474,360 S * 5/2003 Yip D6/521
D477,730 S 7/2003 Hoernig
D479,072 S * 9/2003 Duncan et al. D6/521
D486,333 S 2/2004 Hoernig
D489,558 S * 5/2004 Snell D6/521

D499,916 S * 12/2004 Yang et al. D6/521
D507,716 S * 7/2005 Snow et al. D6/521
2002/0070308 A1 6/2002 Fahringer
2003/0029961 A1 2/2003 Holliger

OTHER PUBLICATIONS

Website page, www.oxo.com, Grip & Rip Paper Towel Holder—White, OXO International.
Website page, www.cooking.speedera.net.
Website page, <http://store.yahoo.com/organizeeverything1>, Grip & Rip Paper Towel Holder by OXO—Stainless Steel Model.
Website page, <http://store6.yimg.com/1/organizeeverything1>.
Website page, <http://store.yahoo.com/organizeeverything1>, Grip & Rip Paper Towel Holder by OXO—White Model.
Website page, <http://www.cooking.com>, OXO Stainless Steel Paper Towel Holder.
Website page, www.oxo.com, Simply Tear Paper Towel Holder—Stainless Steel, OXO International.

* cited by examiner

FIG. 1

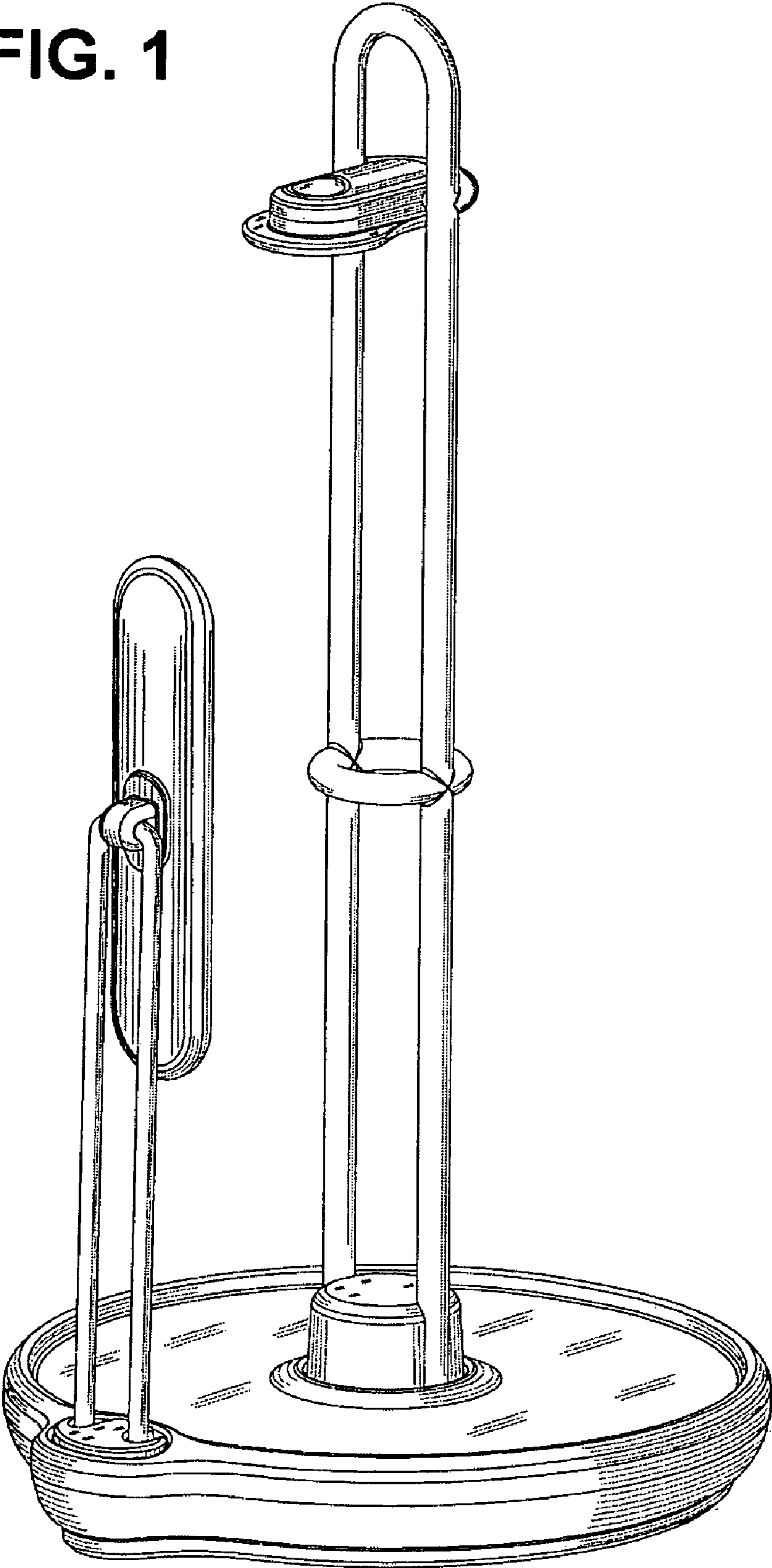


FIG. 2

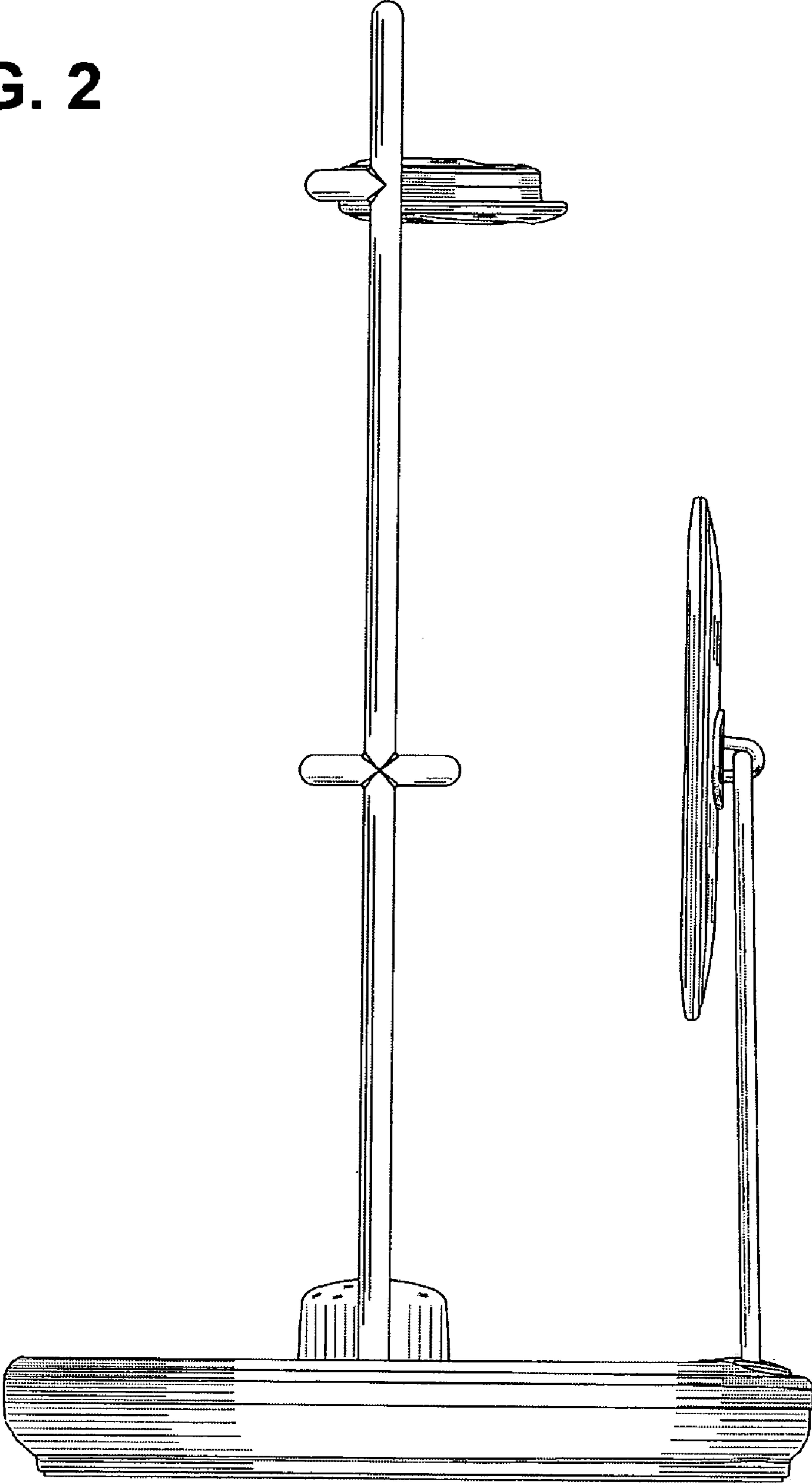


FIG. 3

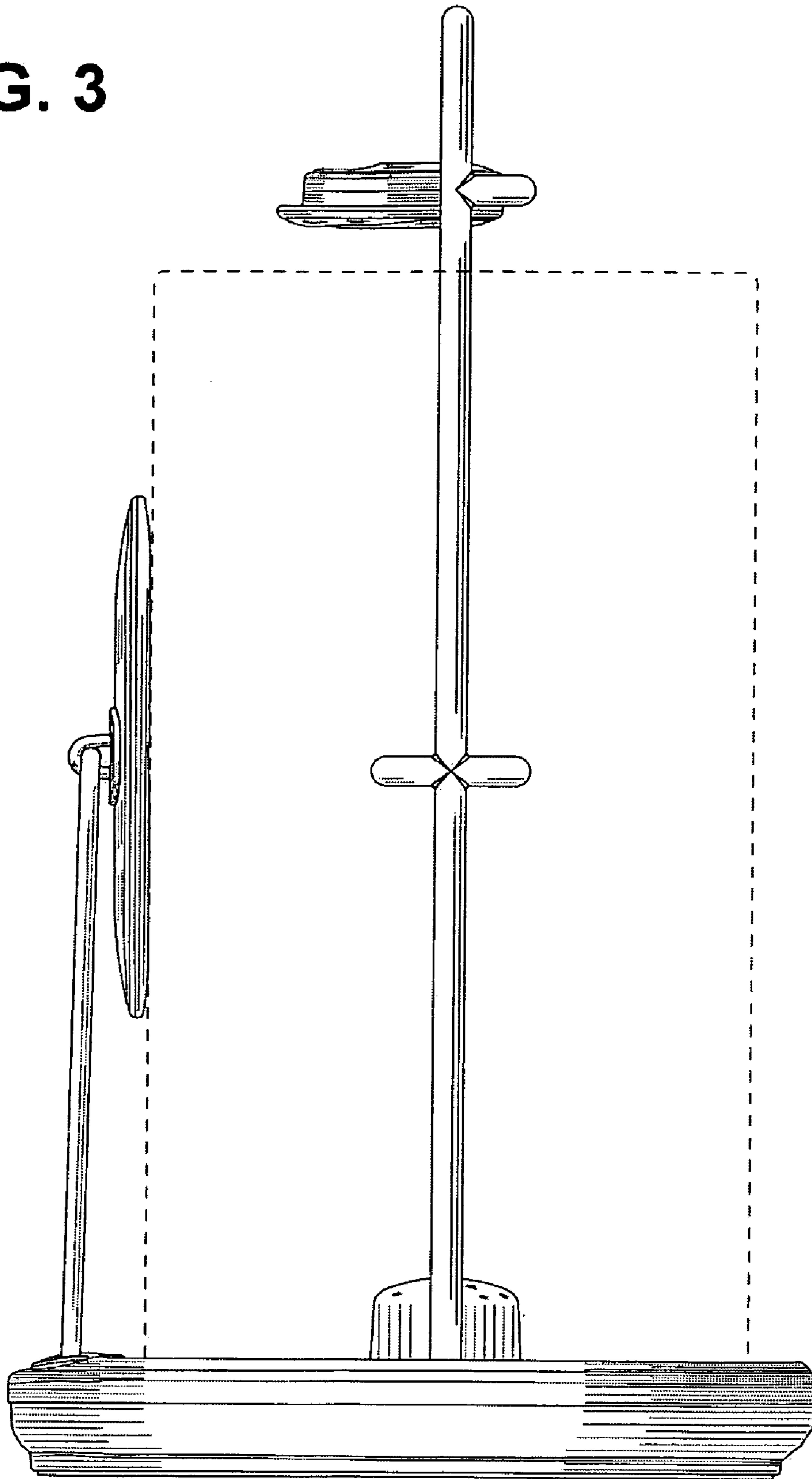


FIG. 4

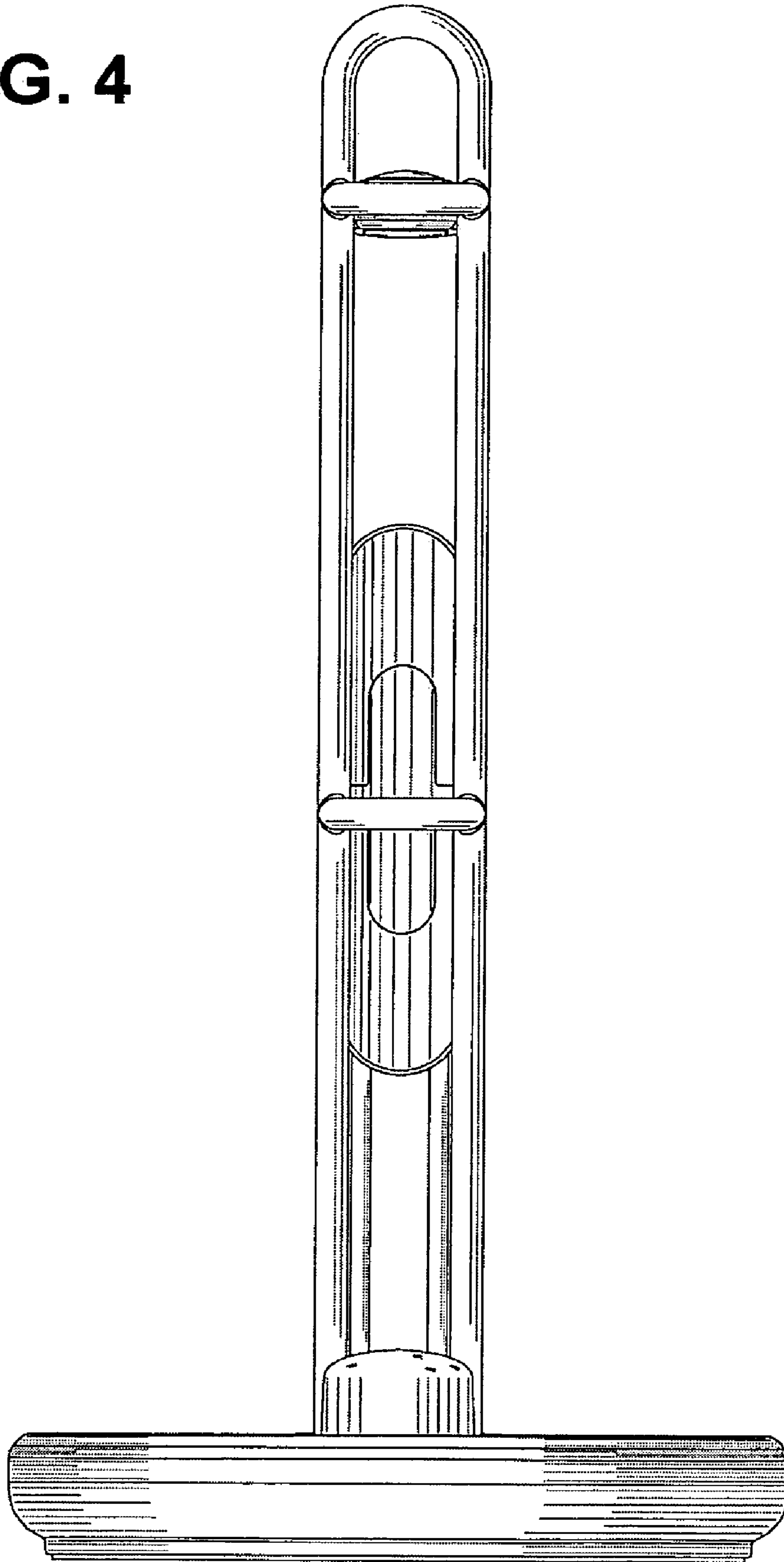


FIG. 5

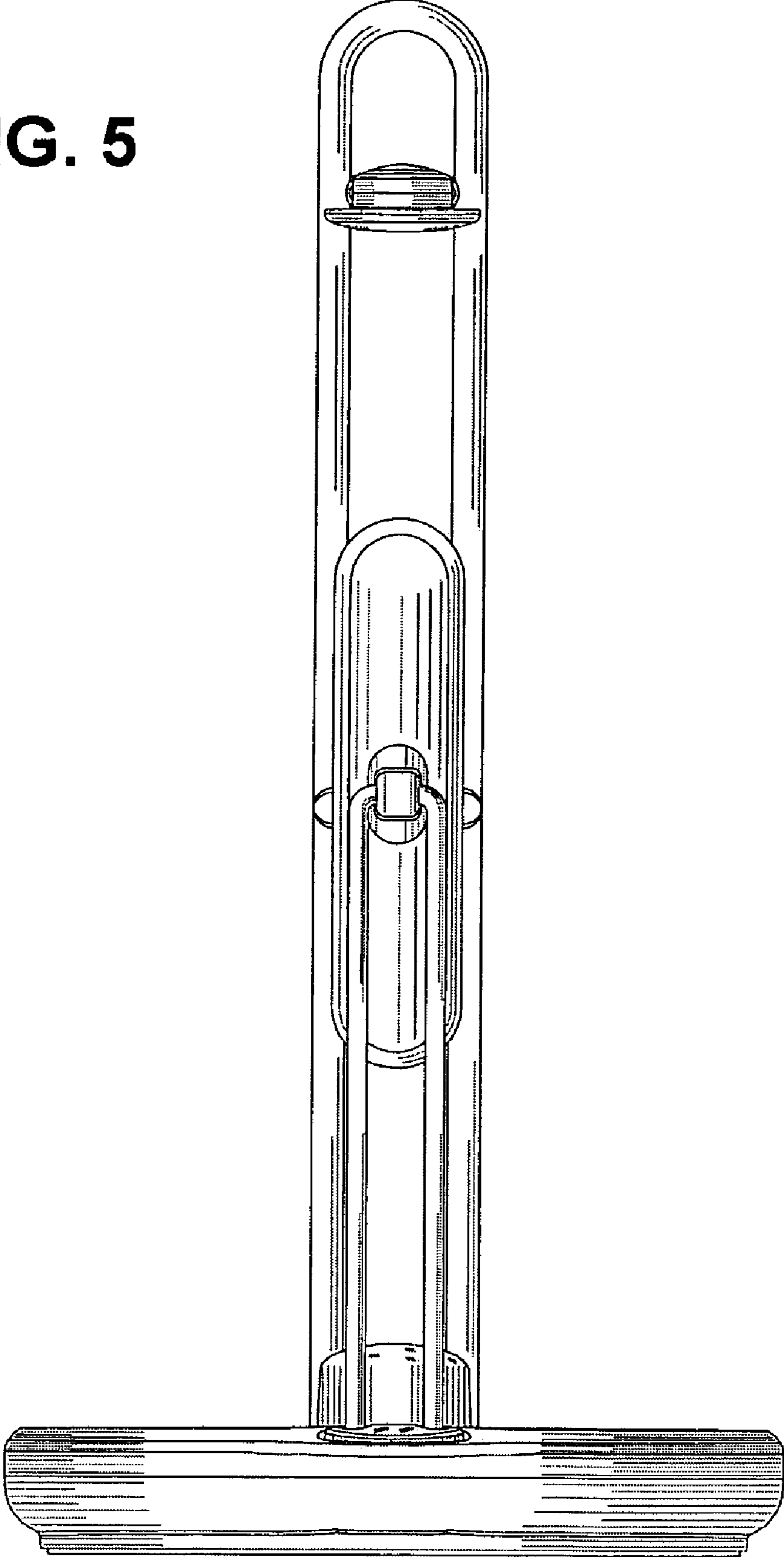


FIG. 6

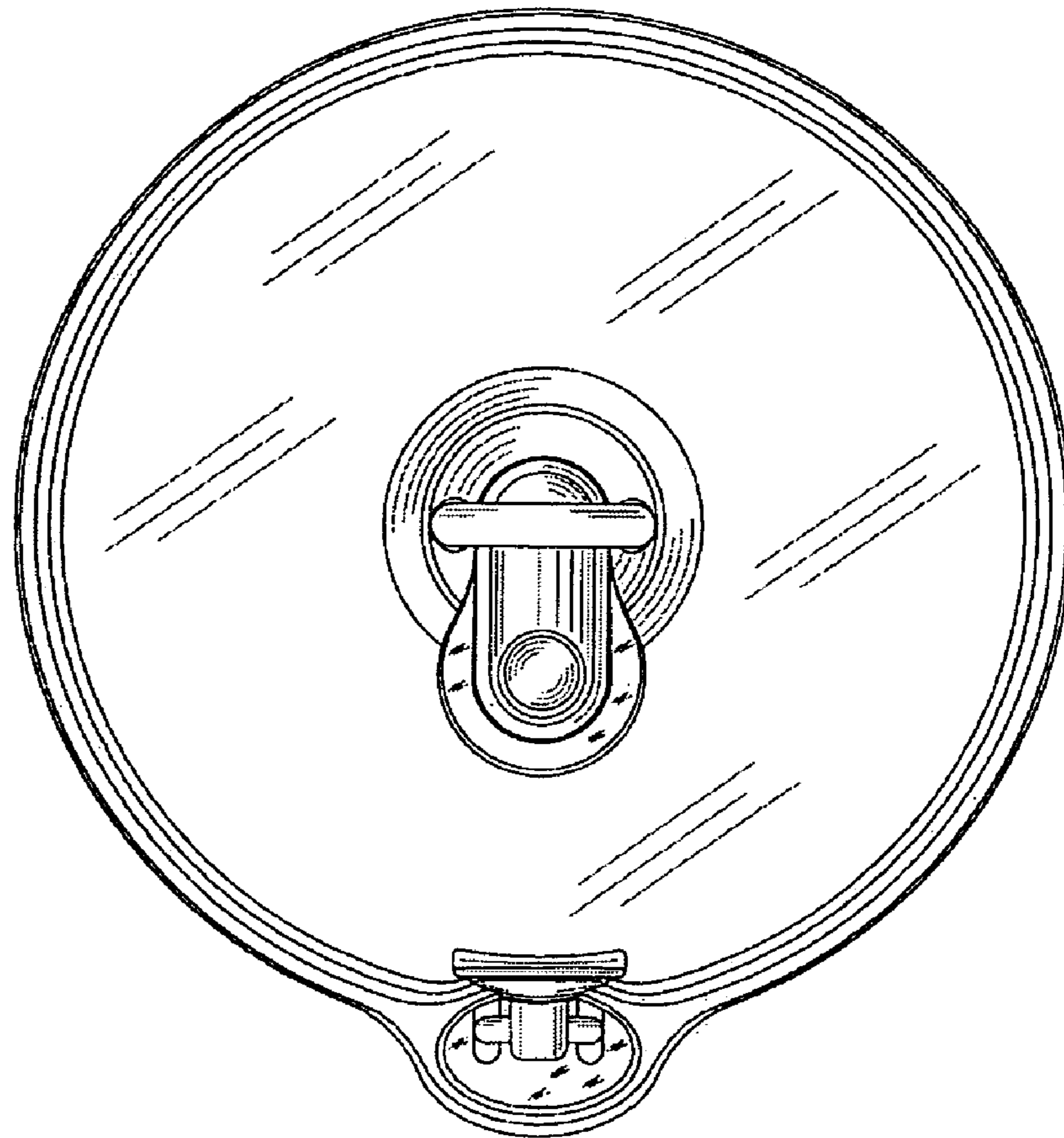


FIG. 7

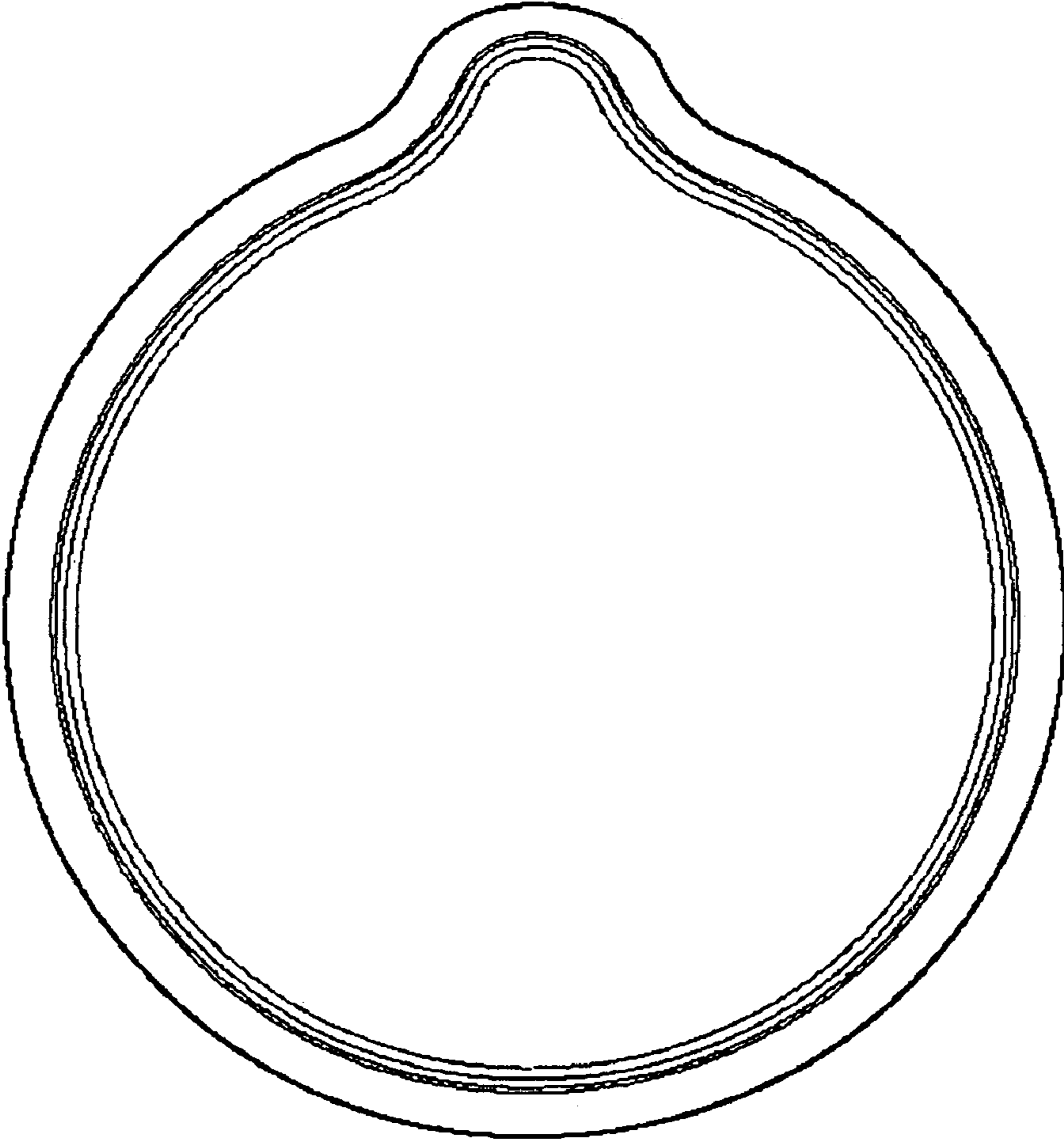


FIG. 8

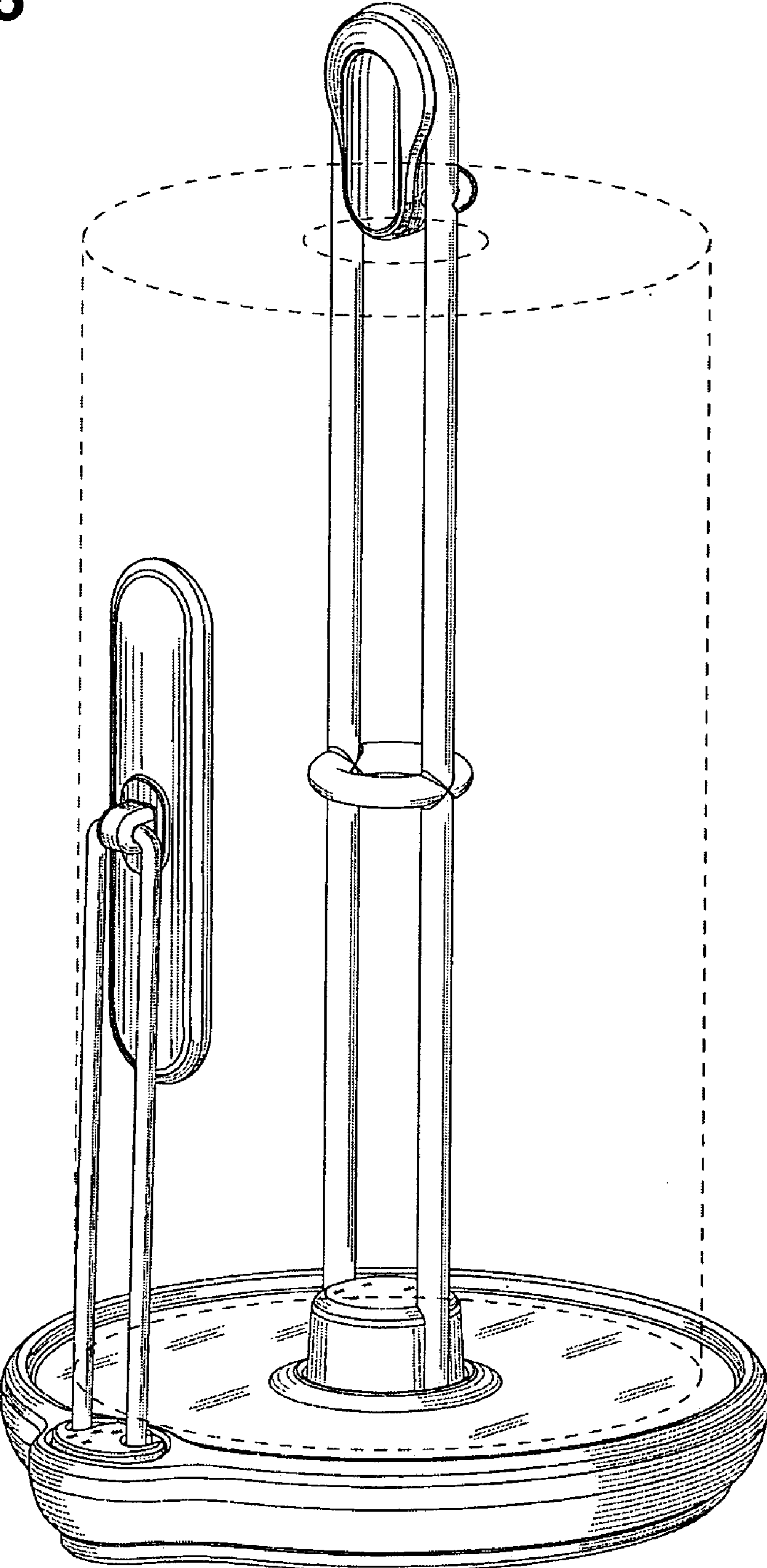


FIG. 9

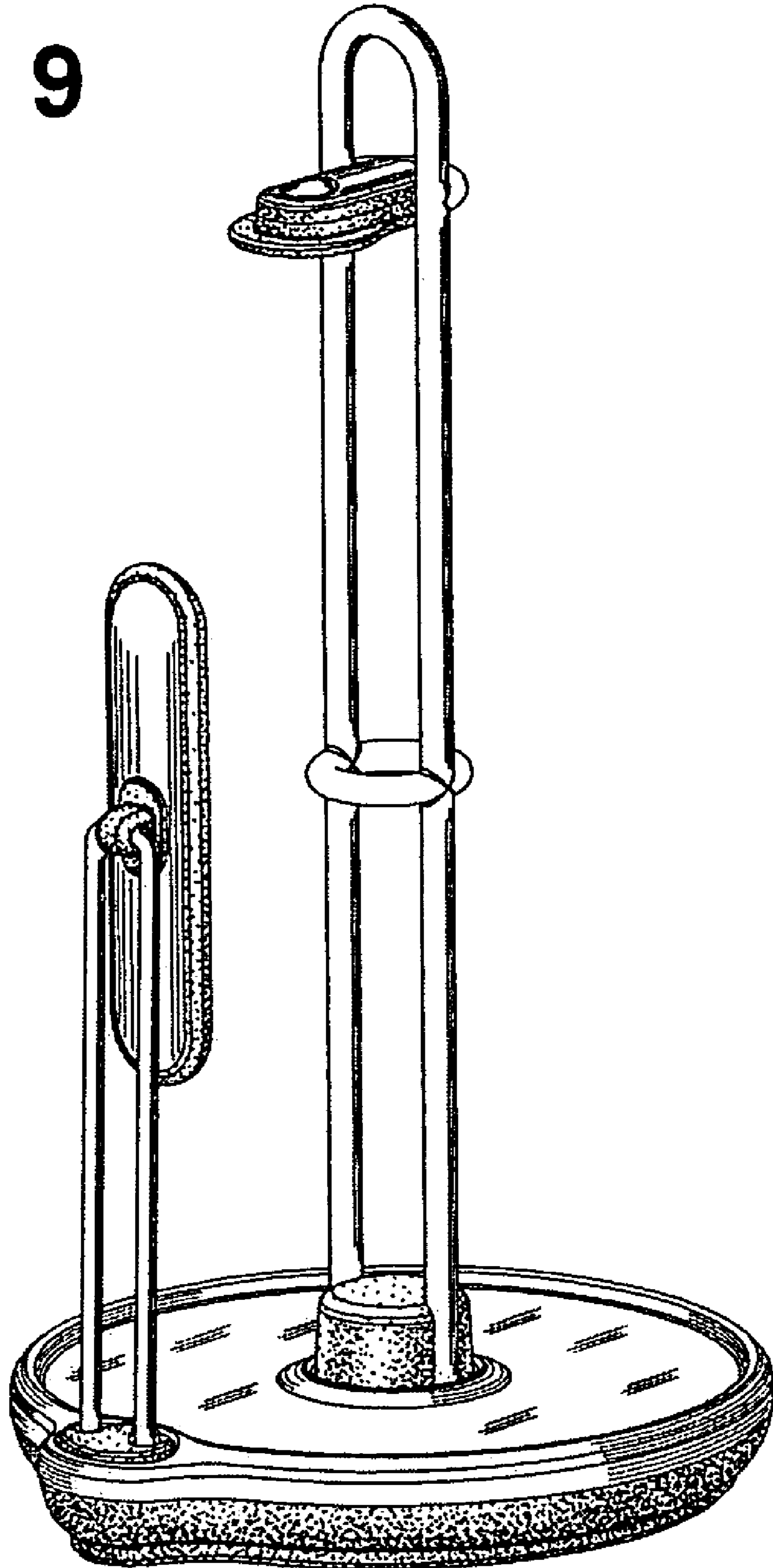


FIG. 10

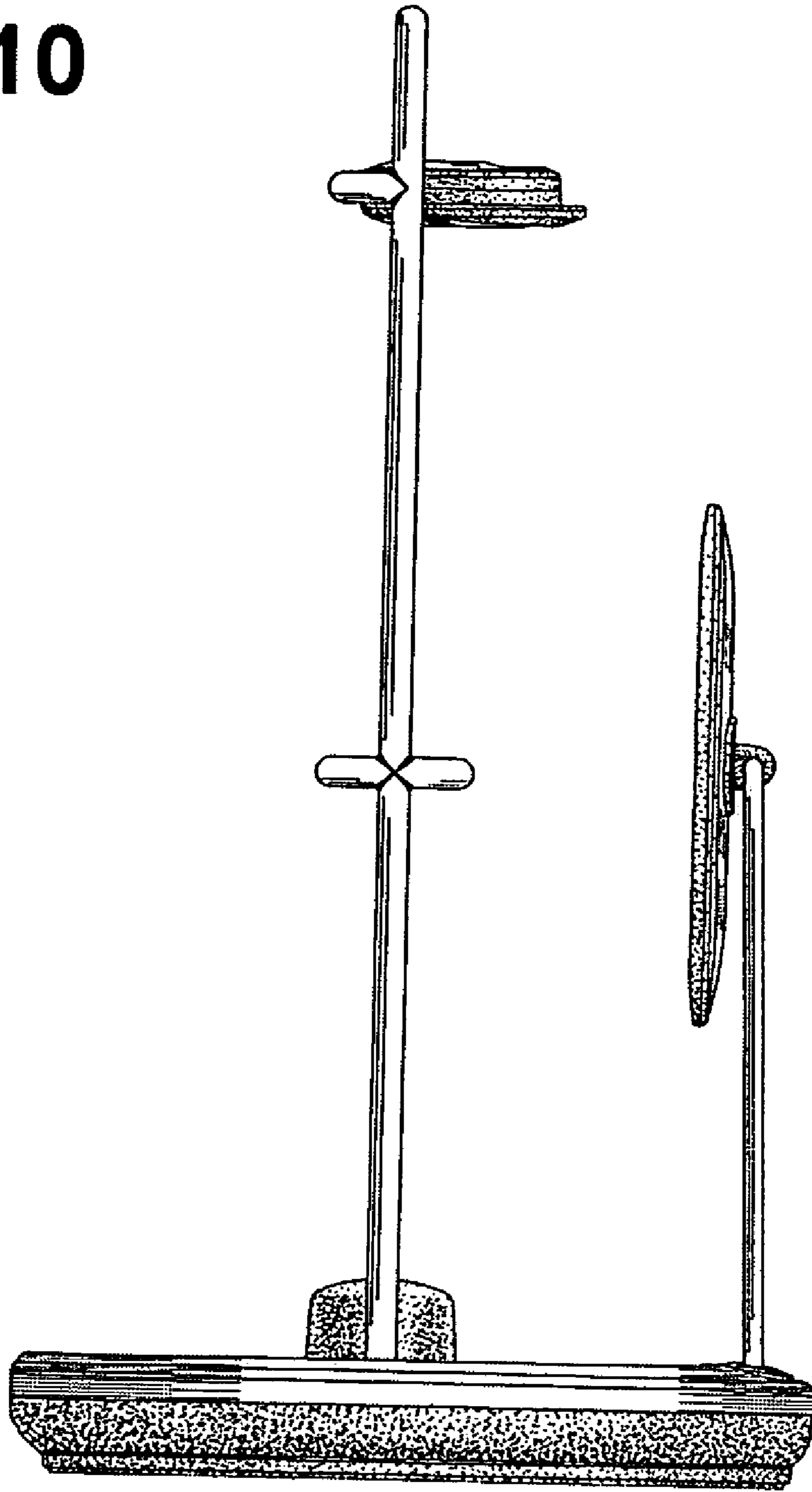


FIG. 11

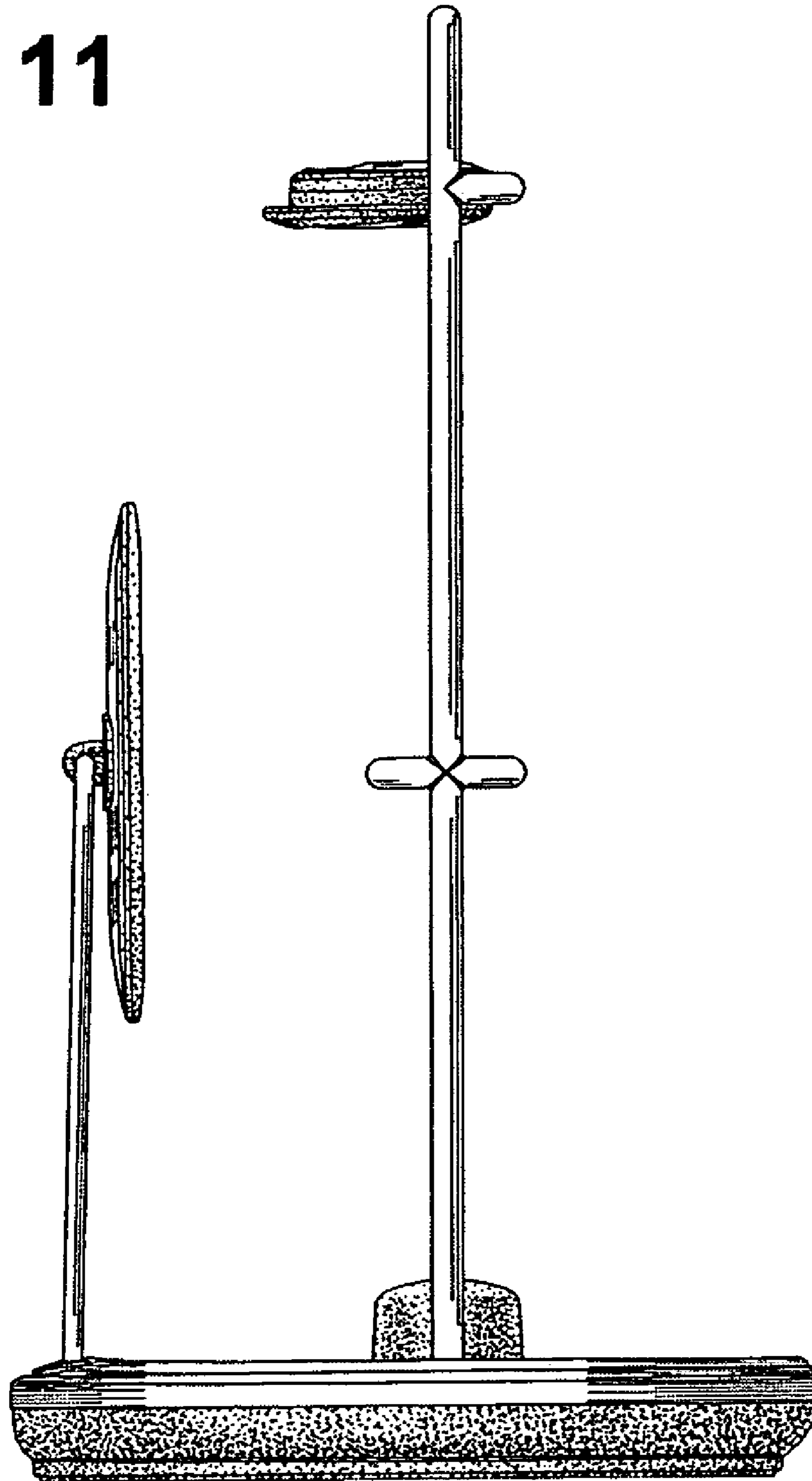


FIG. 12

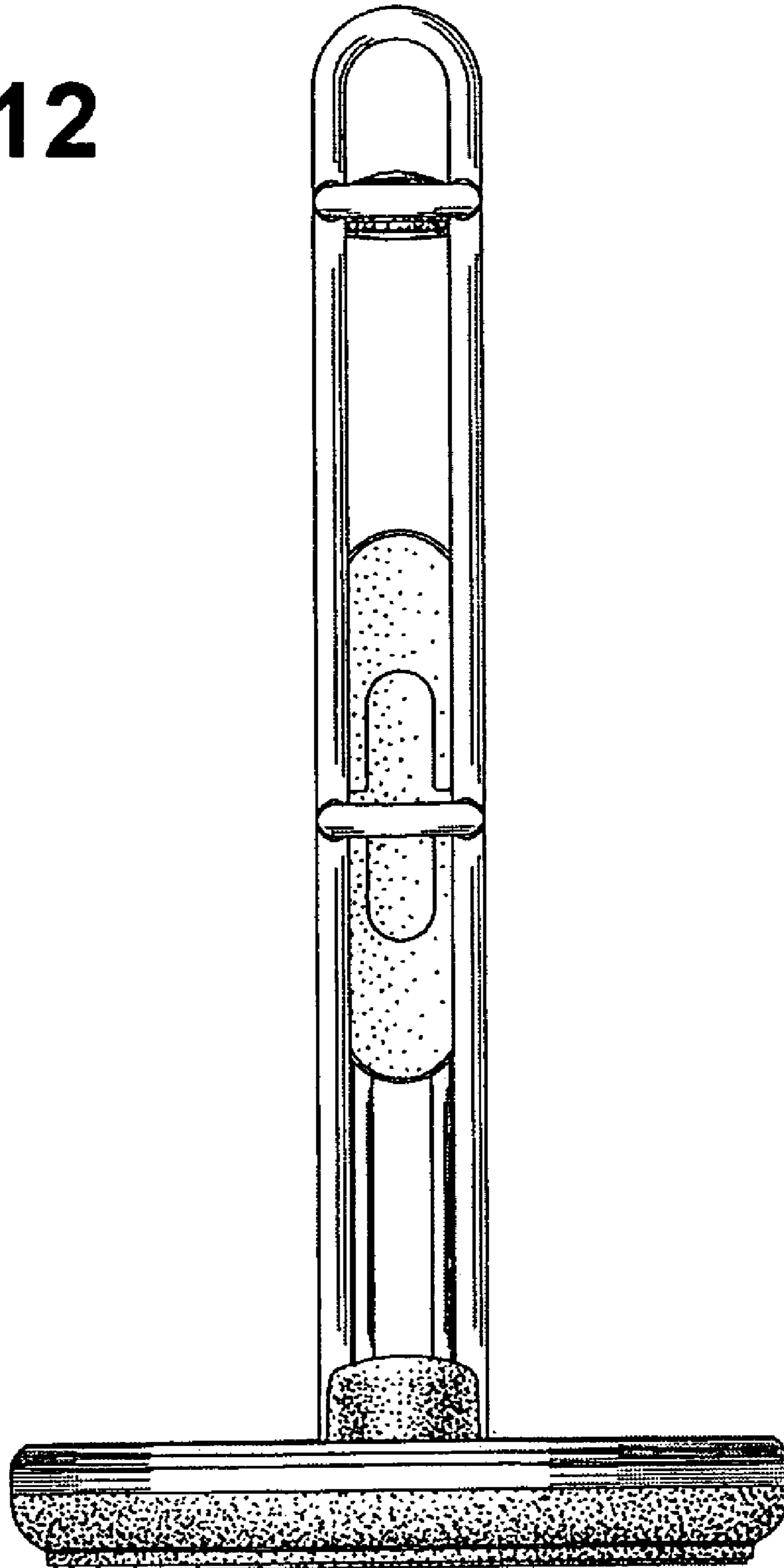


FIG. 13

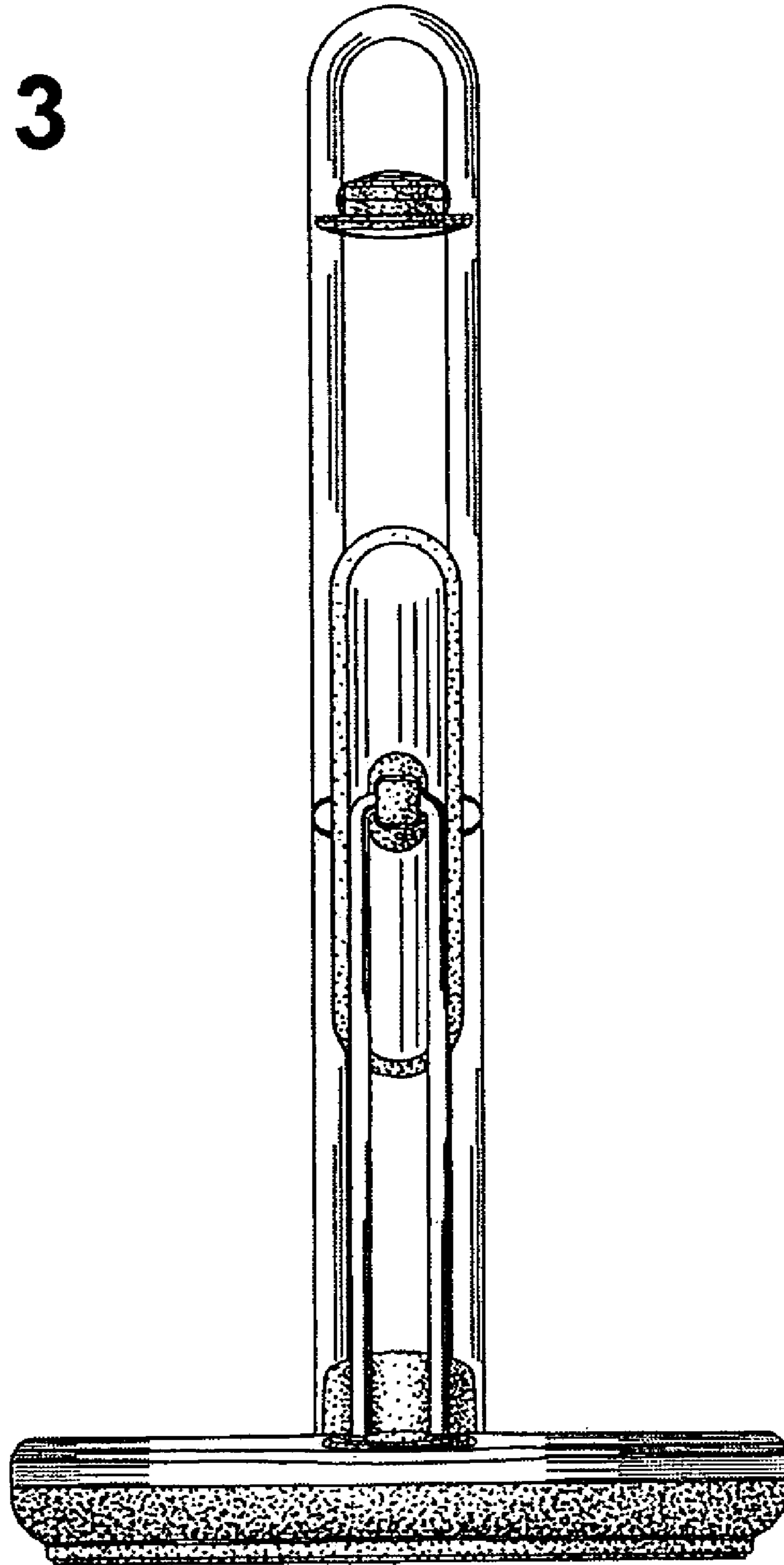


FIG. 14

