

US00D548501S

(12) **United States Design Patent**
Bradley

(10) **Patent No.:** **US D548,501 S**

(45) **Date of Patent:** **** Aug. 14, 2007**

(54) **ARM FOR A CHAIR**

(75) Inventor: **Sam Bradley**, Huntingdon (GB)

(73) Assignee: **RGE Engineering Co.**, Cambridgeshire (GB)

(**) Term: **14 Years**

(21) Appl. No.: **29/246,841**

(22) Filed: **May 15, 2006**

(30) **Foreign Application Priority Data**

Nov. 15, 2005 (EM) 000432281-0001

(51) **LOC (8) Cl.** **06-06**

(52) **U.S. Cl.** **D6/501; D6/366**

(58) **Field of Classification Search** D6/334-336,
D6/356, 364, 365, 366, 367, 379, 380, 500-502;
297/411.2, 411.27, 411.28, 411.36

See application file for complete search history.

(56) **References Cited**

U.S. PATENT DOCUMENTS

D436,260 S * 1/2001 Nagamitsu D6/366
D446,062 S * 8/2001 Su D6/501
D471,024 S * 3/2003 Chadwick et al. D6/366

D486,315 S * 2/2004 Beaulieu et al. D6/366
D487,359 S * 3/2004 Giugiaro D6/366
D489,542 S * 5/2004 Giugiaro D6/366
D492,130 S * 6/2004 Tai D6/366
D497,266 S * 10/2004 Tai D6/366
D505,024 S * 5/2005 Bellin D6/366

* cited by examiner

Primary Examiner—Mimosa De

(74) *Attorney, Agent, or Firm*—Townsend and Townsend and Crew LLP

(57) **CLAIM**

The ornamental design for the arm for a chair, as shown and described.

DESCRIPTION

FIG. 1 is a side view of an arm for a chair showing my new design; the broken lines shown in the drawings are for illustrative purposes only and form no part of the claimed design;

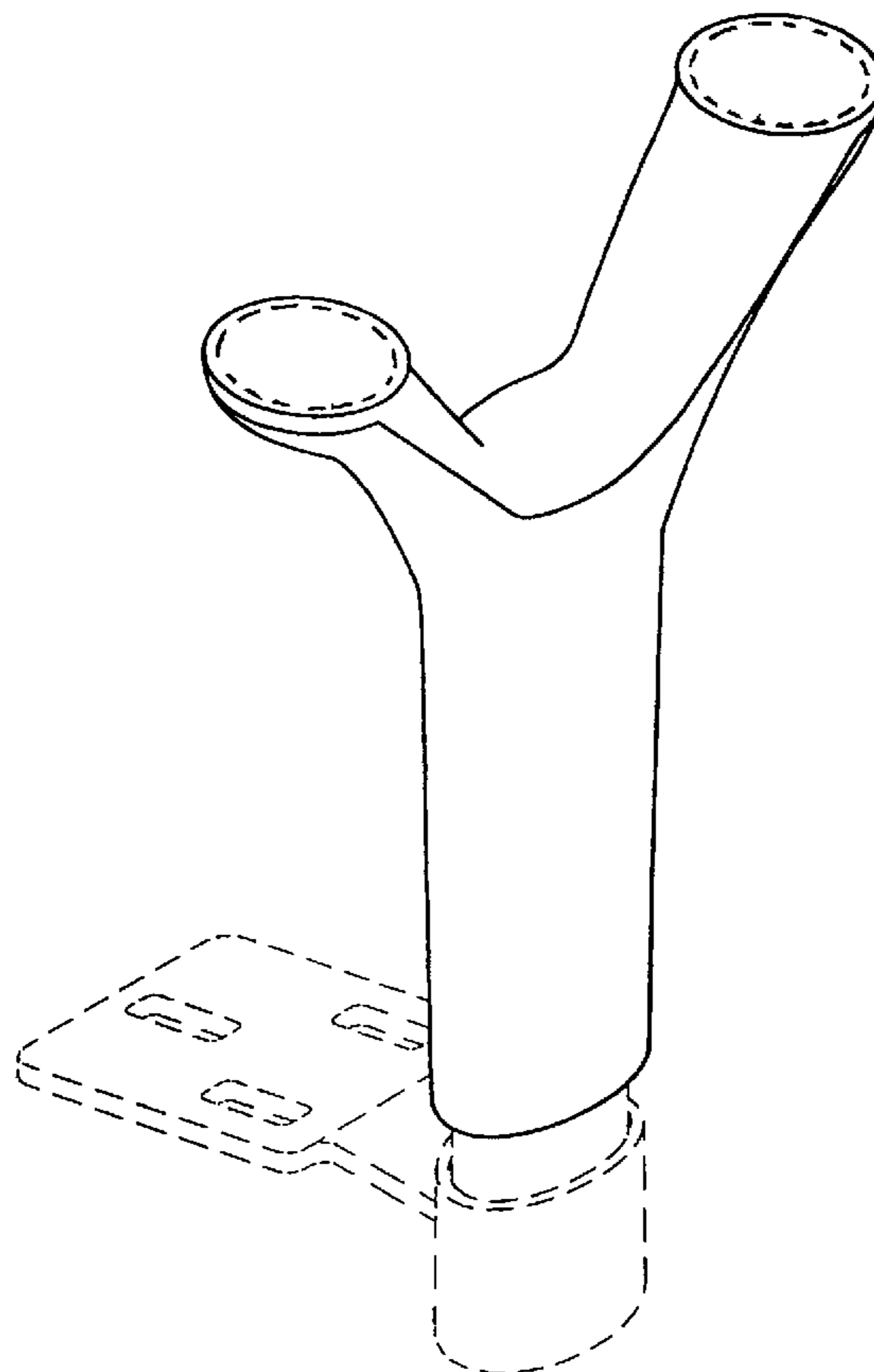
FIG. 2 is a front view thereof;

FIG. 3 is a top plan view thereof;

FIG. 4 is a bottom perspective view thereof; and,

FIG. 5 is a top perspective view thereof.

1 Claim, 5 Drawing Sheets



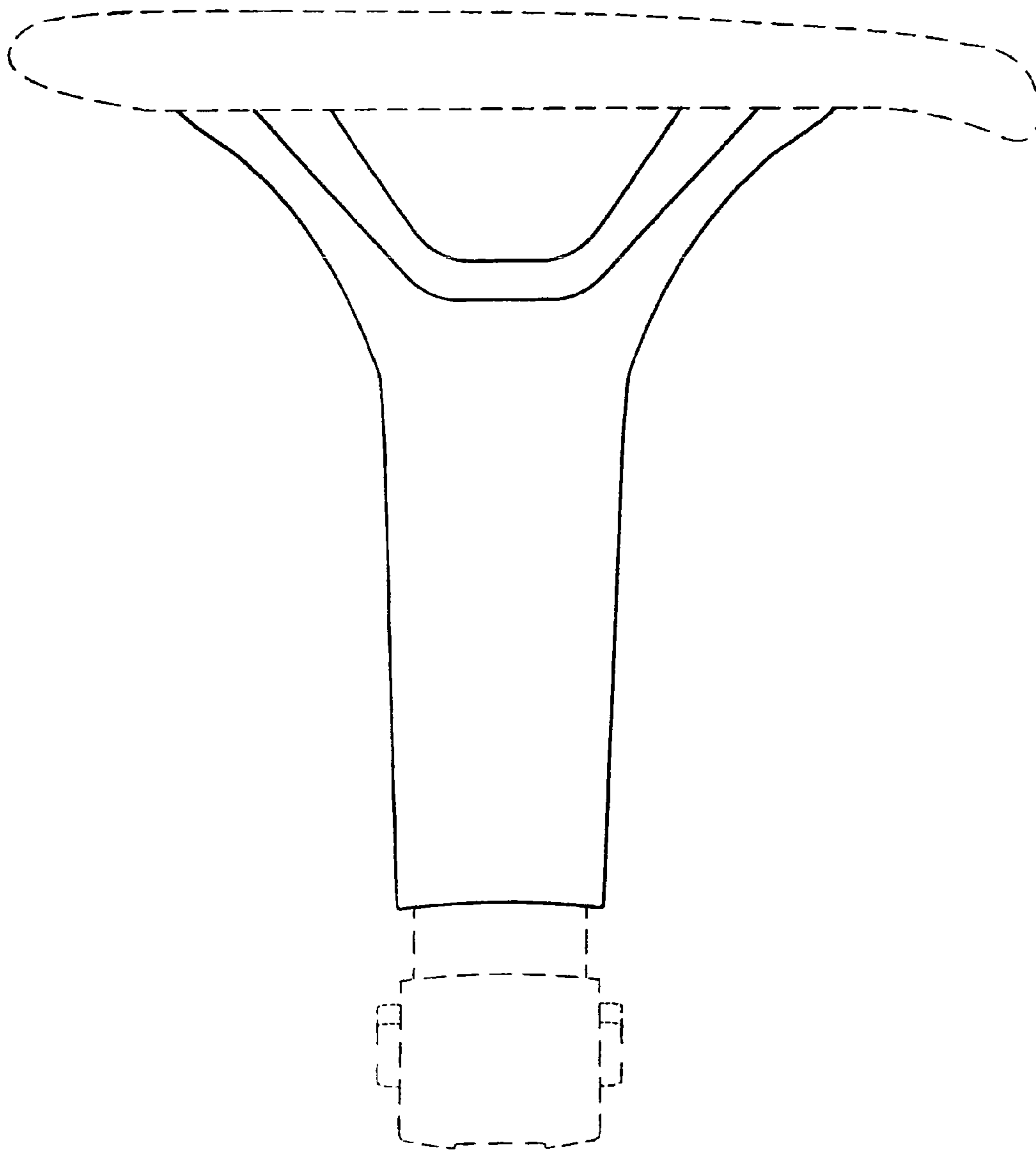


FIG. 1

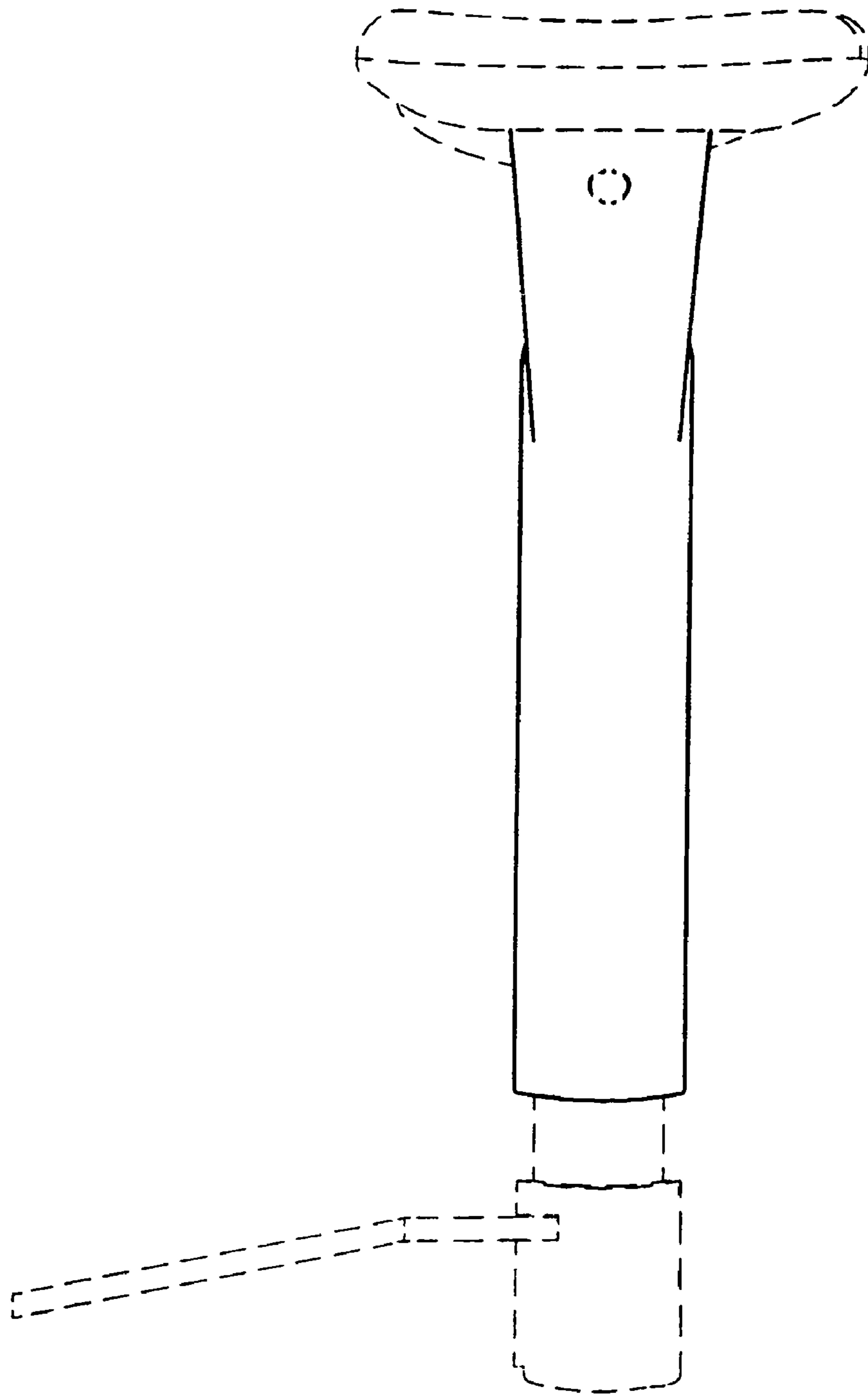


FIG. 2

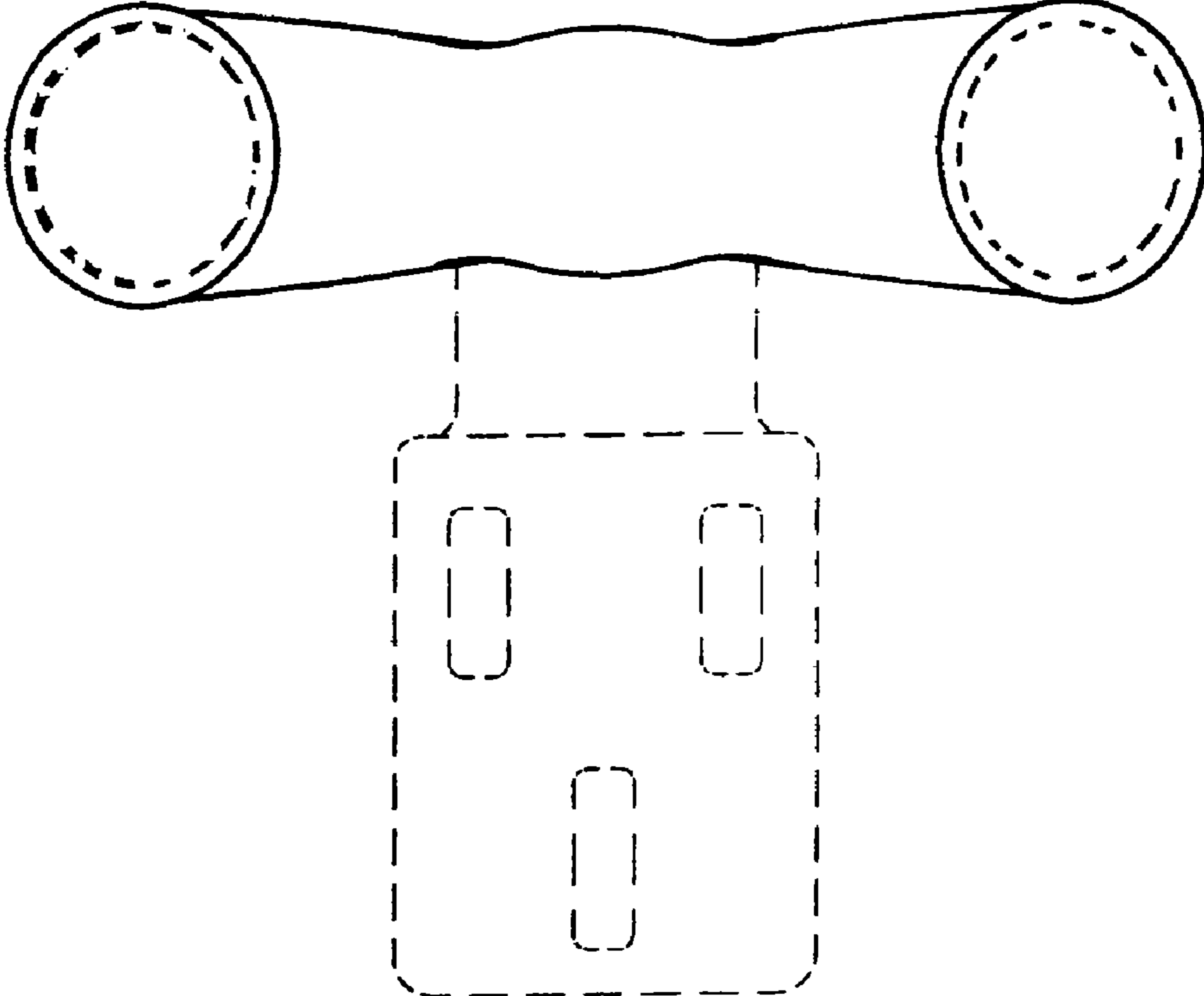


FIG. 3

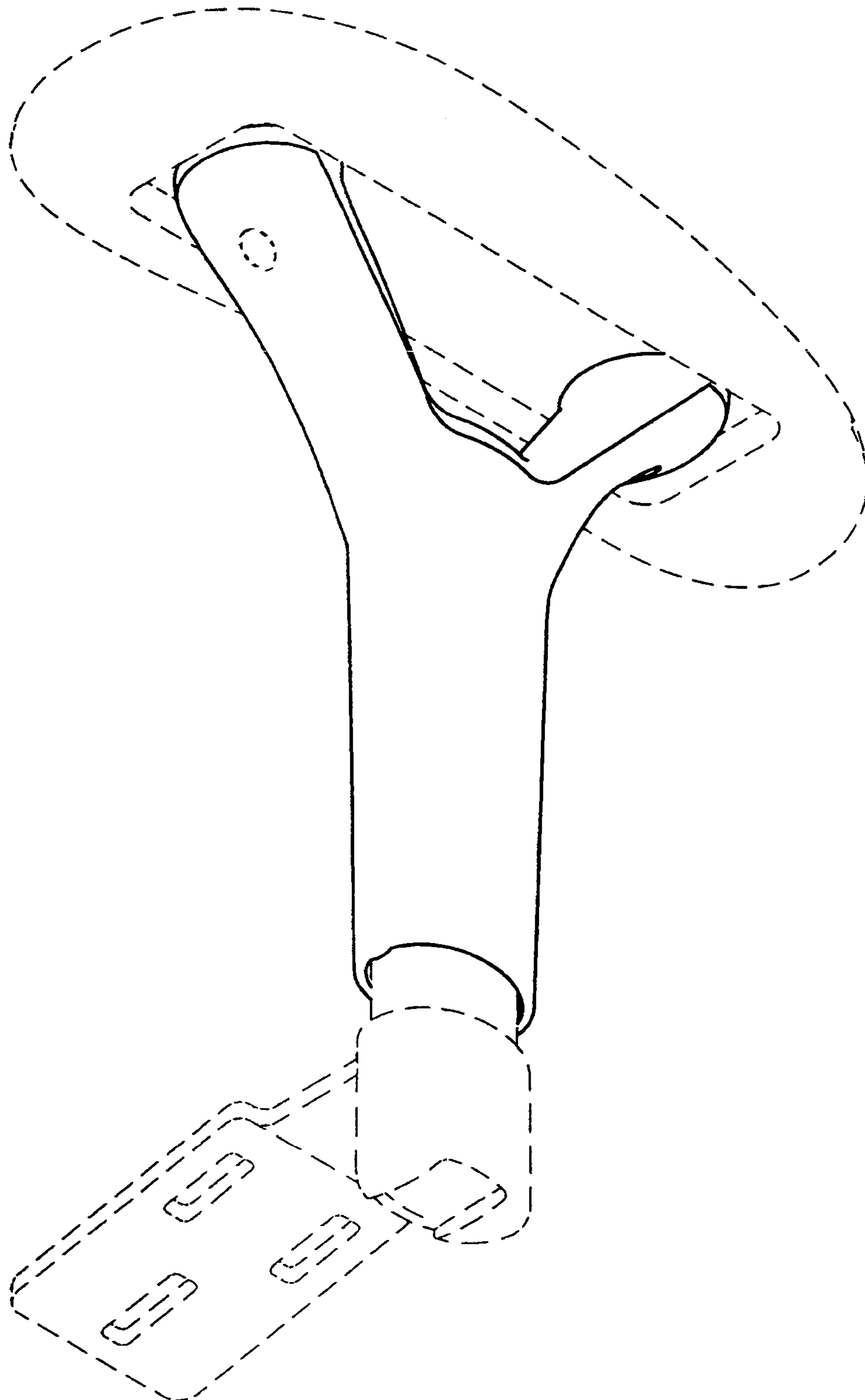


FIG. 4

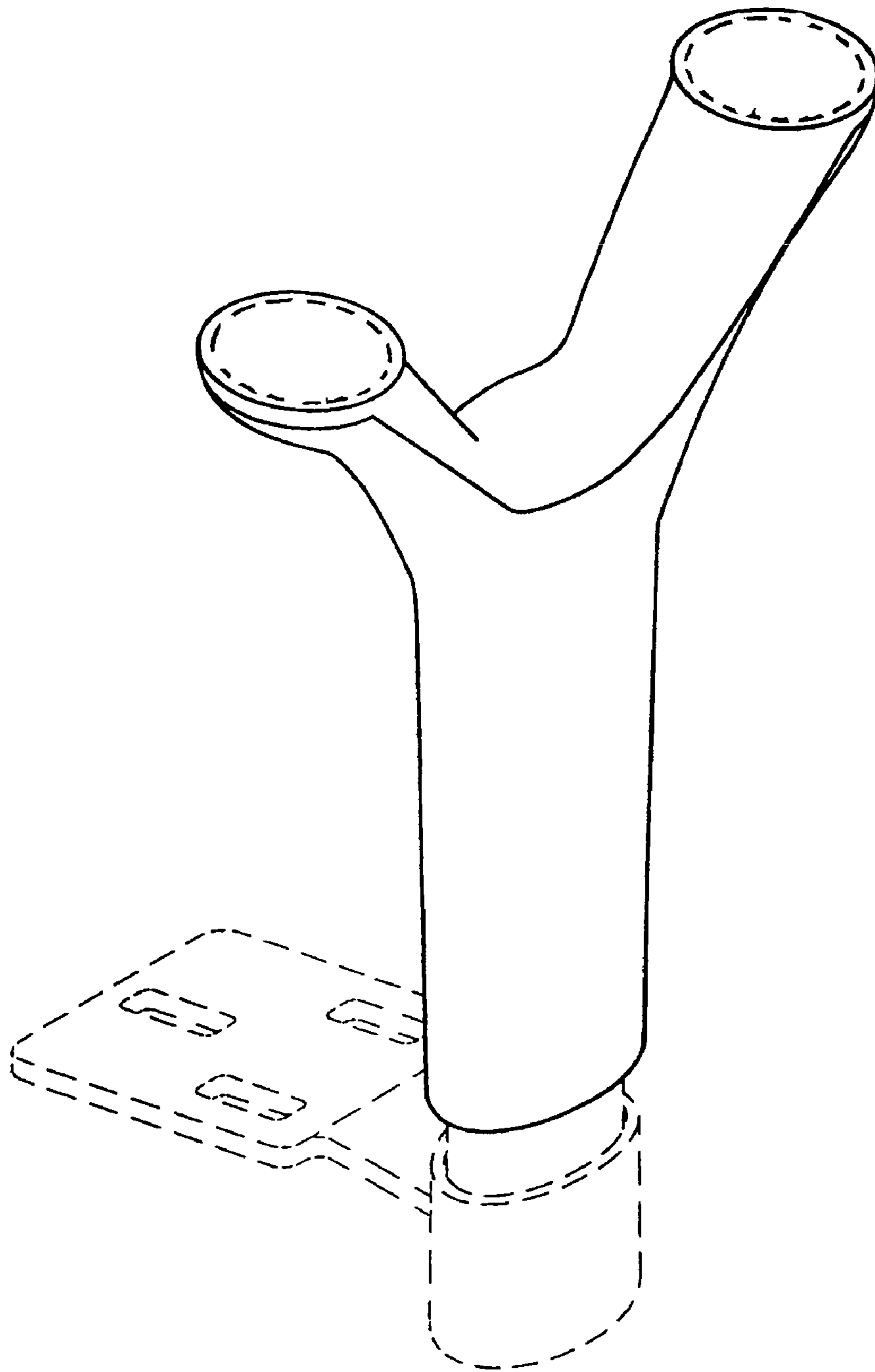


FIG. 5