

US00D548500S

(12) **United States Design Patent**
Bailey

(10) **Patent No.:** **US D548,500 S**

(45) **Date of Patent:** **** Aug. 14, 2007**

(54) **HANGING CHAIR STAND**

2006/0061165 A1* 3/2006 Molen 297/273

(76) **Inventor:** **Braydon R. Bailey**, 1392 W. 2275
South, Syracuse, UT (US) 84075

OTHER PUBLICATIONS

Hammaka Chair and C-Stand from www.hammaka.com, 2005.
Hammaka C-Stand from www.hammaka.com, Aug. 2006.

(**) **Term:** **14 Years**

* cited by examiner

(21) **Appl. No.:** **29/265,674**

Primary Examiner—Mimosa De

(22) **Filed:** **Sep. 5, 2006**

(74) *Attorney, Agent, or Firm*—Thorpe North & Western
LLP

(51) **LOC (8) Cl.** **06-06**

(57) **CLAIM**

(52) **U.S. Cl.** **D6/499; D6/347**

(58) **Field of Classification Search** D6/334–336,
D6/344, 347, 348, 368, 411, 419, 462, 499,
D6/500–502; D21/823; 297/273, 277, 278;
472/118, 122

The ornamental design for a hanging chair stand, as shown
and described.

See application file for complete search history.

DESCRIPTION

(56) **References Cited**

U.S. PATENT DOCUMENTS

3,344,443	A	10/1967	Bonnell	
3,528,657	A *	9/1970	Krupsky	472/118
D228,327	S *	9/1973	Court	D6/462
D230,109	S *	1/1974	Gass	D6/499
D249,408	S	9/1978	Jackson	
D324,462	S *	3/1992	Karnaze	D6/419
D331,158	S *	11/1992	Hooi	D6/499
5,588,702	A *	12/1996	Litwin	297/277
D414,045	S *	9/1999	Morrow	D6/347
7,040,995	B2	5/2006	Lee	
D531,826	S *	11/2006	Nutsos	D6/347

FIG. 1 is a front right side perspective view of a hanging
chair stand showing my new design, a hanging chair being
shown in broken lines for illustrative purposes to show the
environment of use of the stand, the hanging chair shown in
broken lines forming no part of the claimed design;

FIG. 2 is a front elevational view thereof;

FIG. 3 is a top plan view thereof;

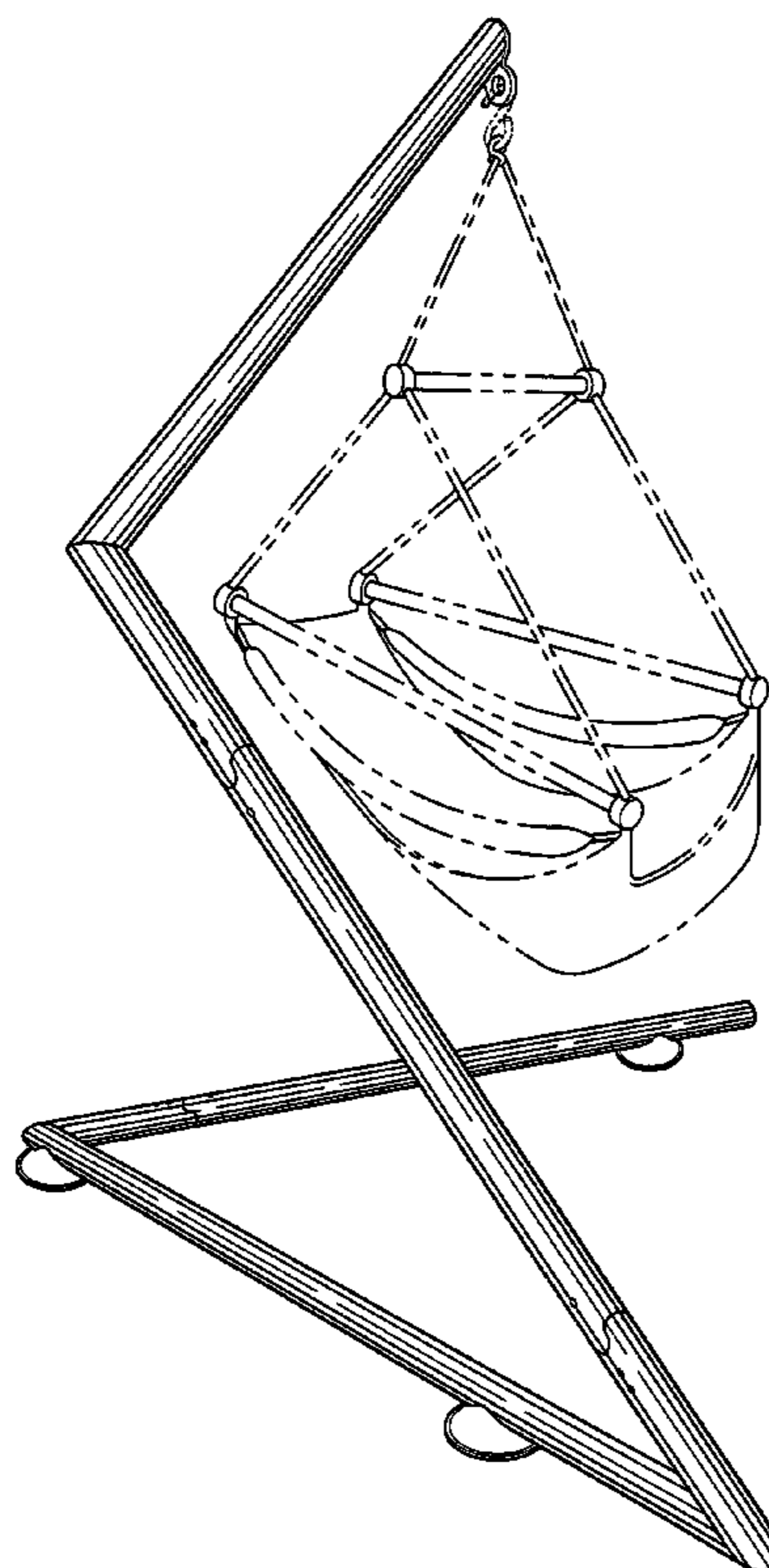
FIG. 4 is a right side view thereof;

FIG. 5; is a rear elevational view thereof;

FIG. 6 is a bottom plan view thereof; and,

FIG. 7 is a left side view thereof.

1 Claim, 7 Drawing Sheets



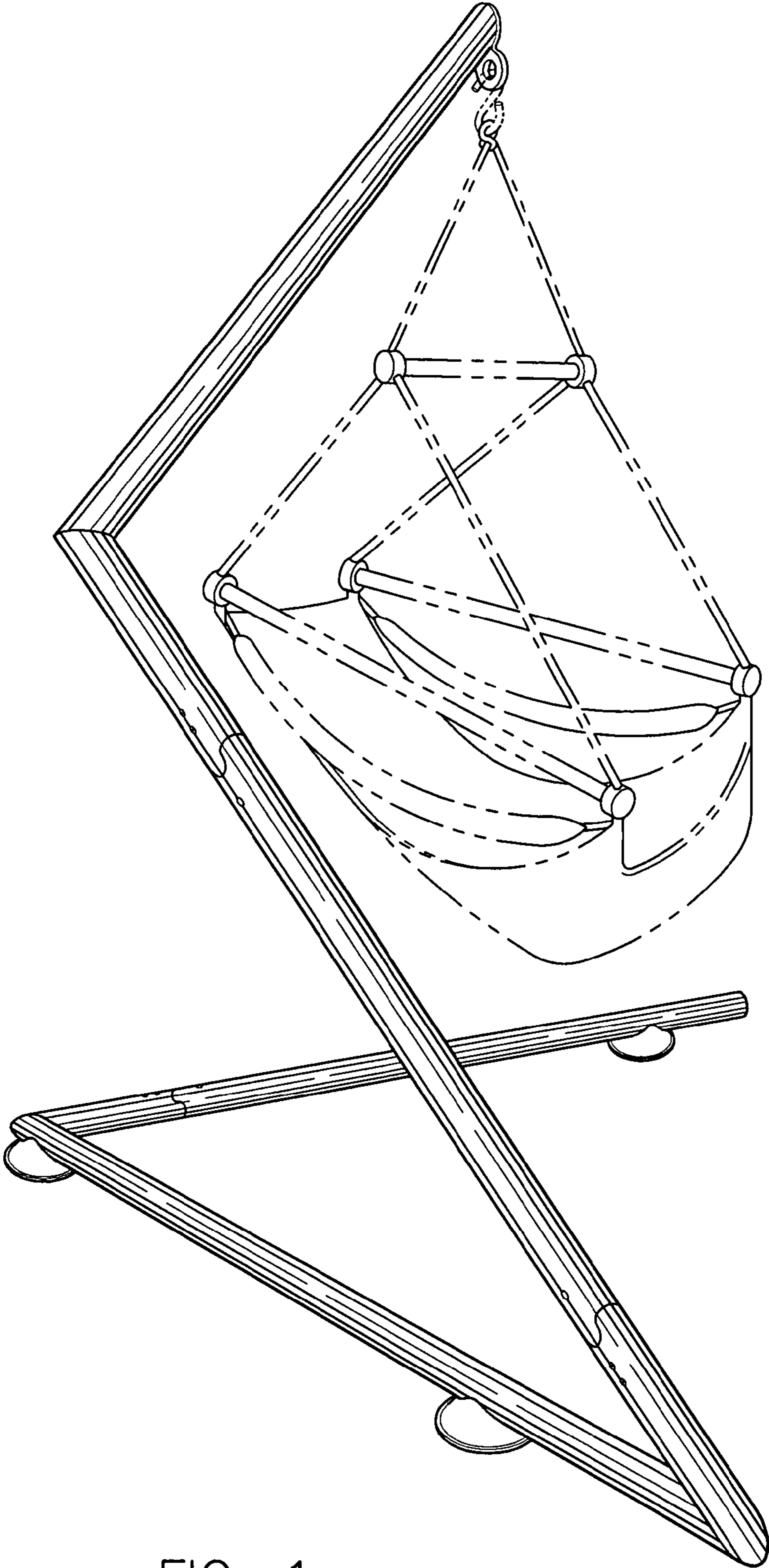


FIG. 1

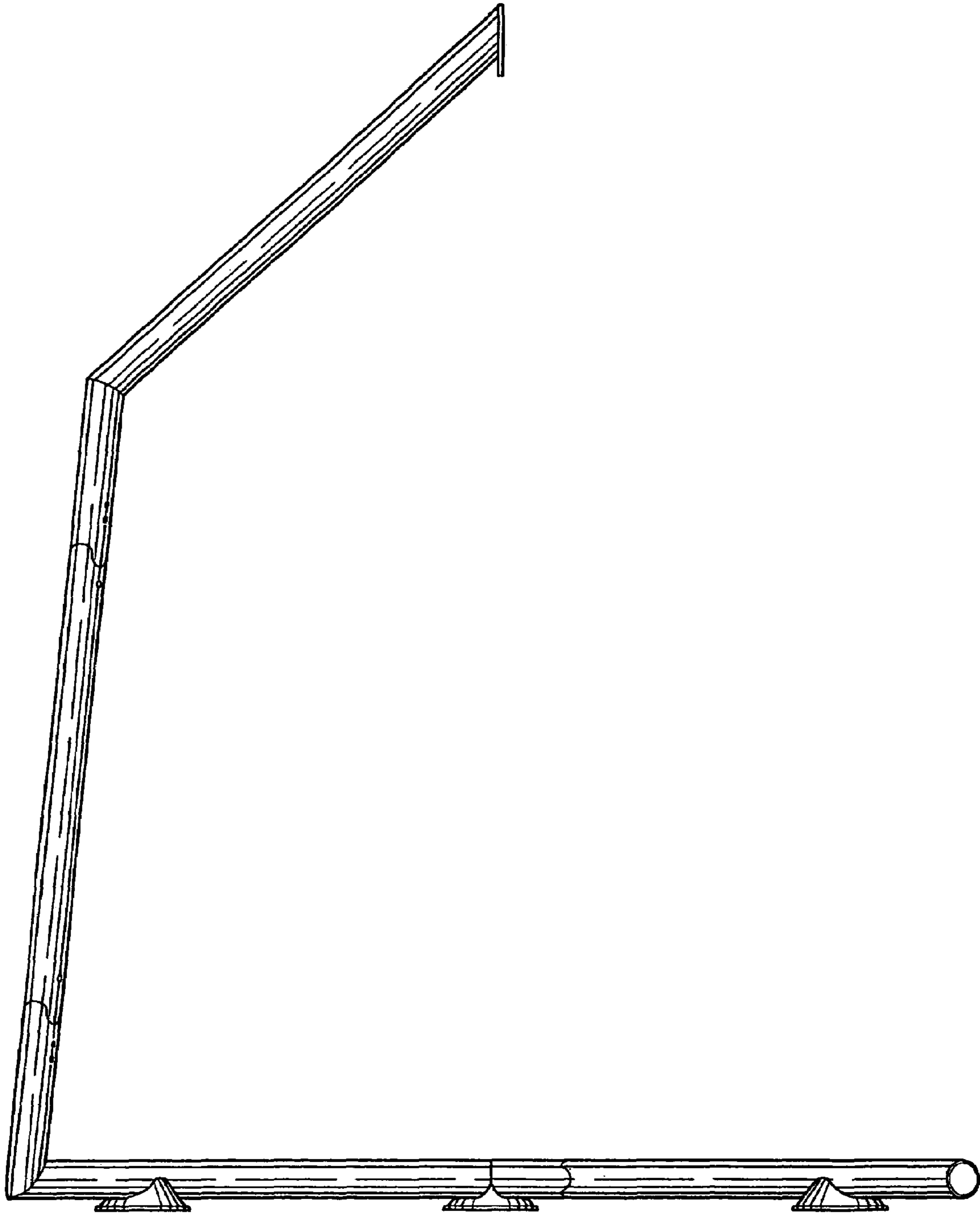


FIG. 2

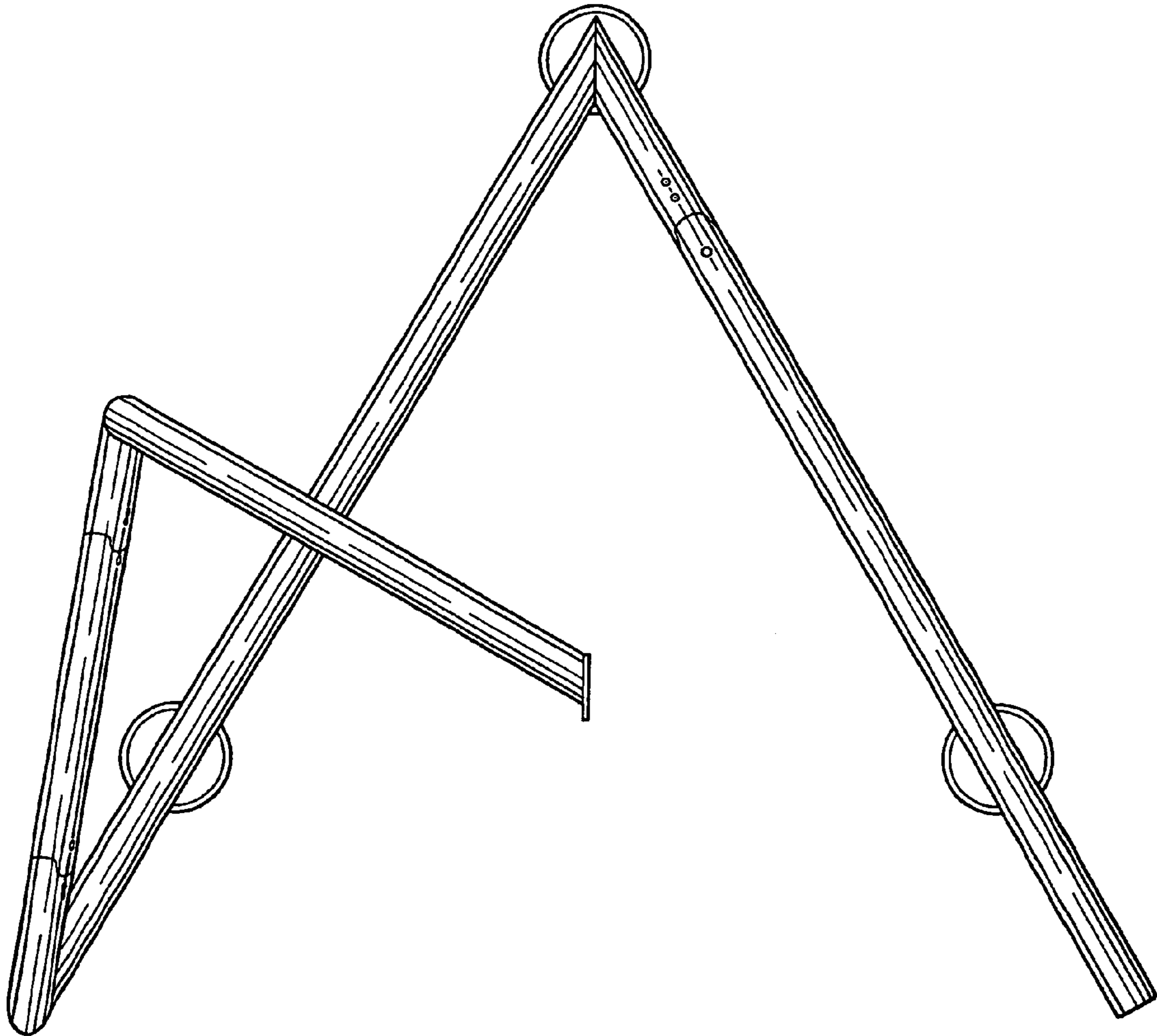


FIG. 3

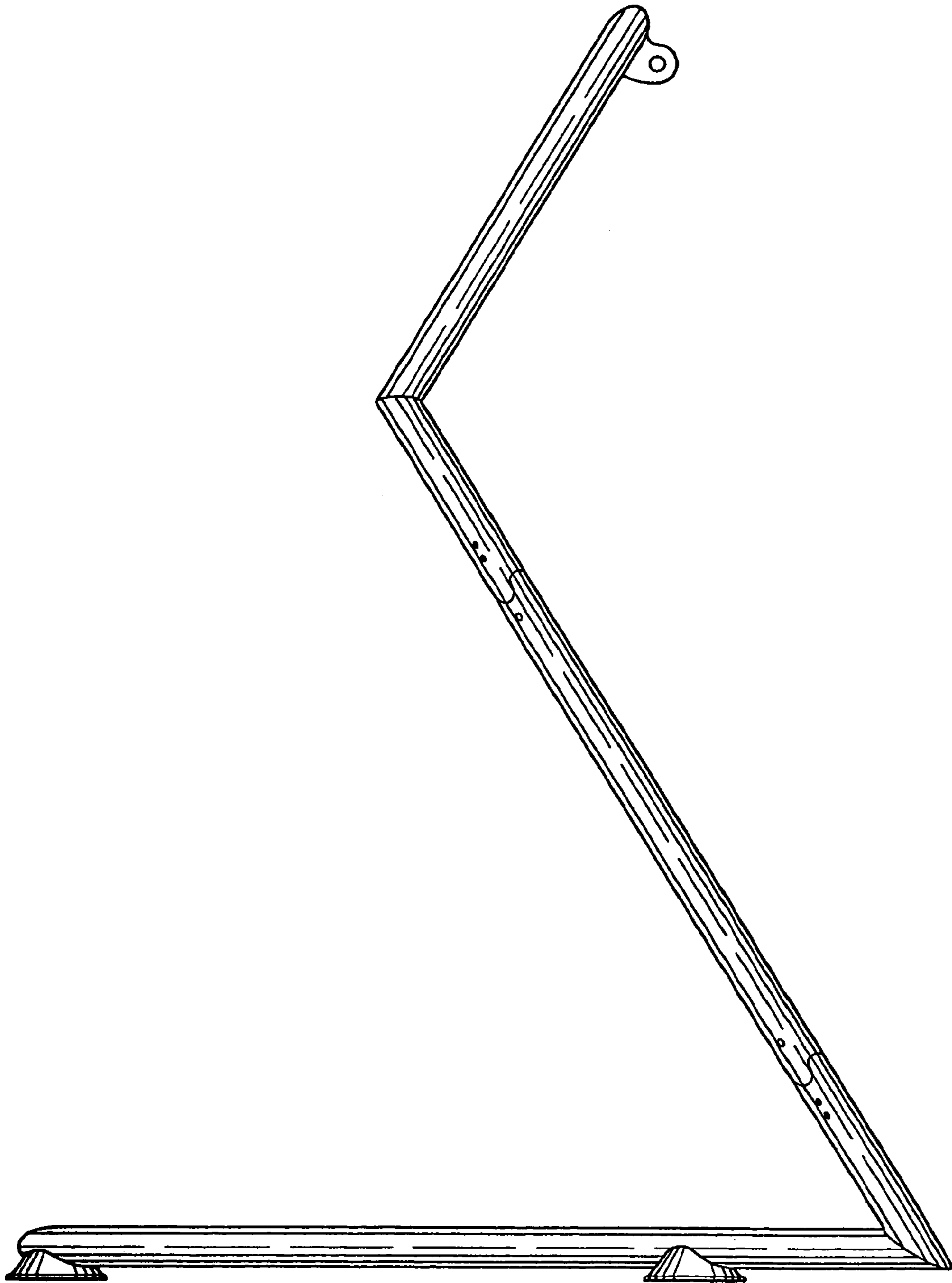


FIG. 4

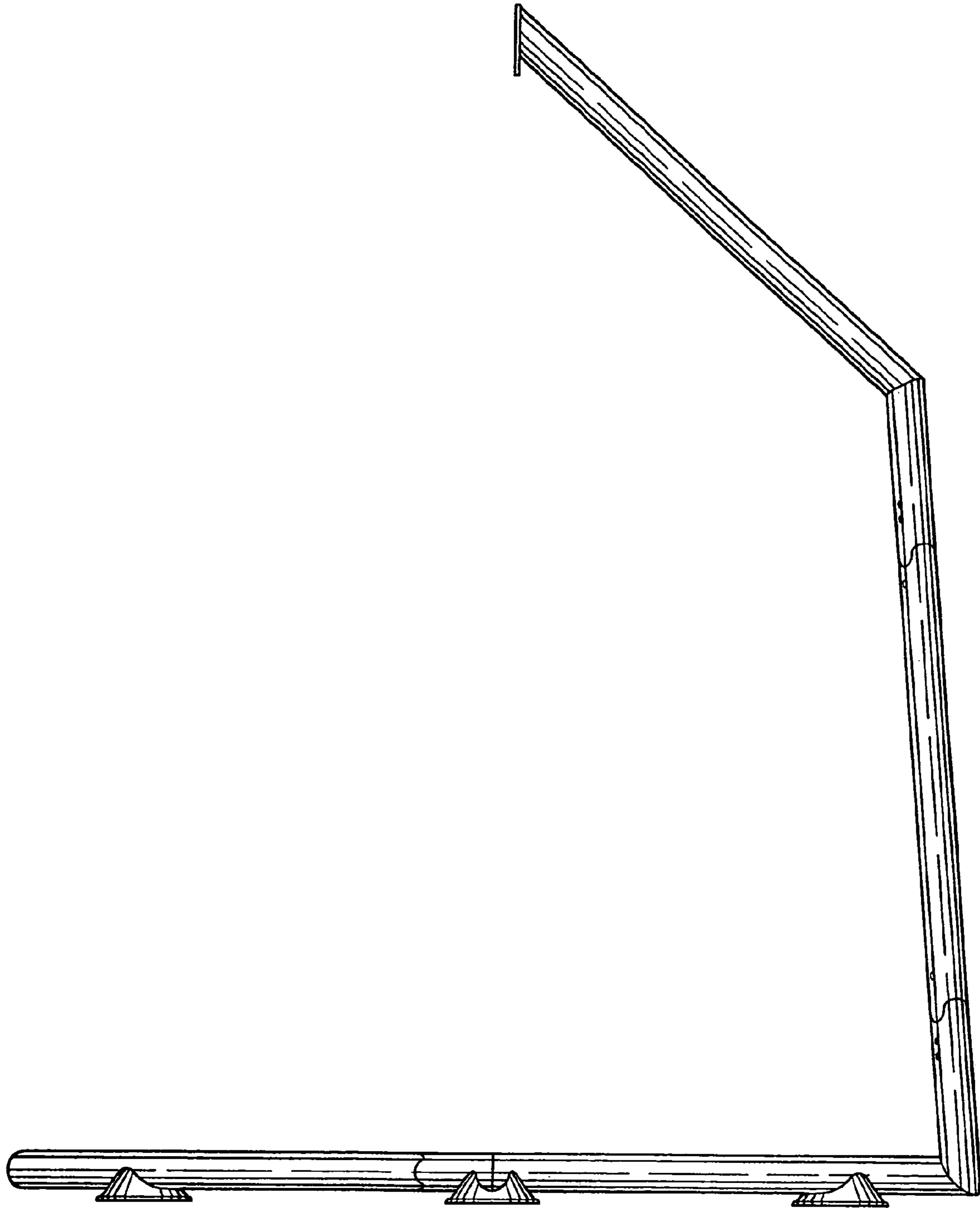


FIG. 5

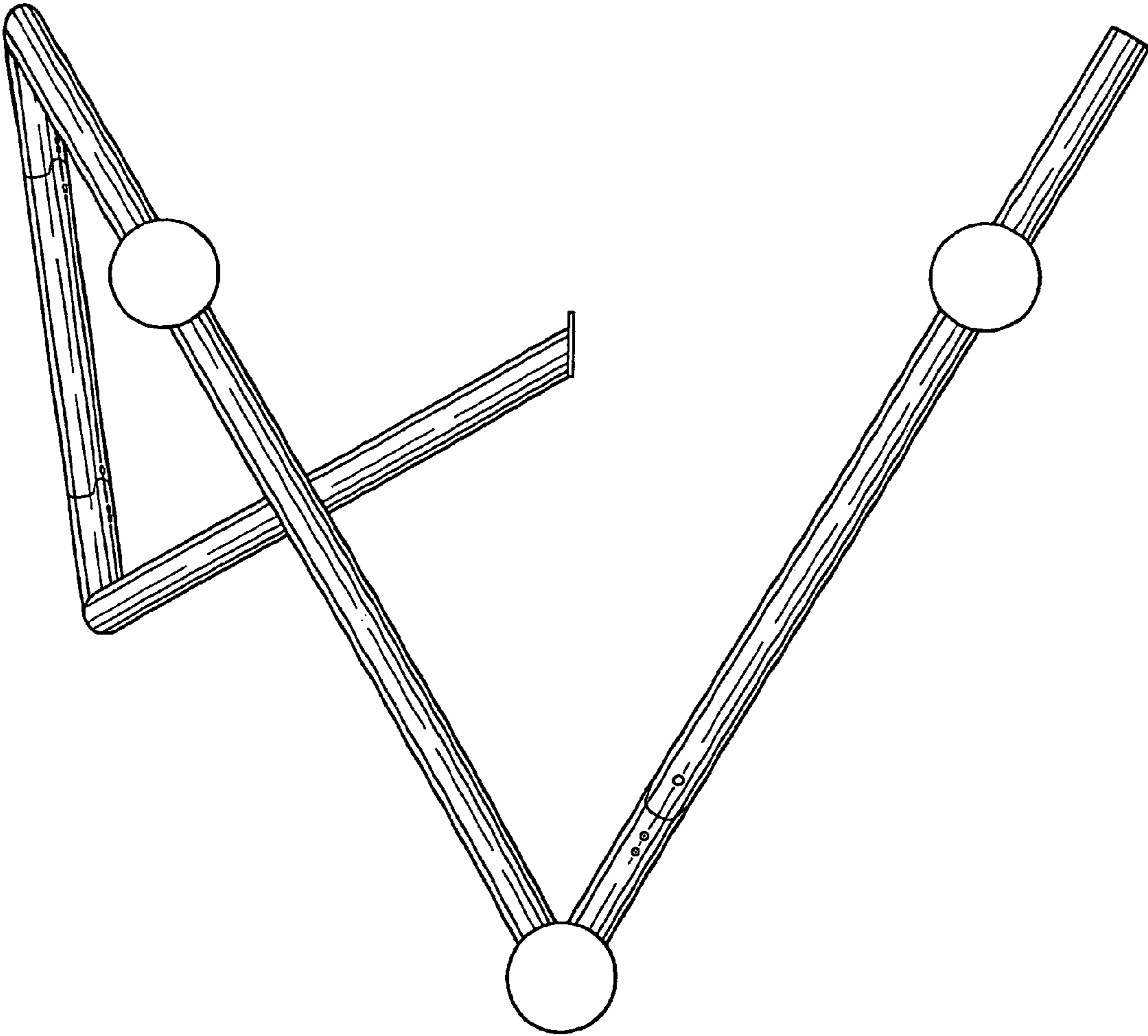


FIG. 6

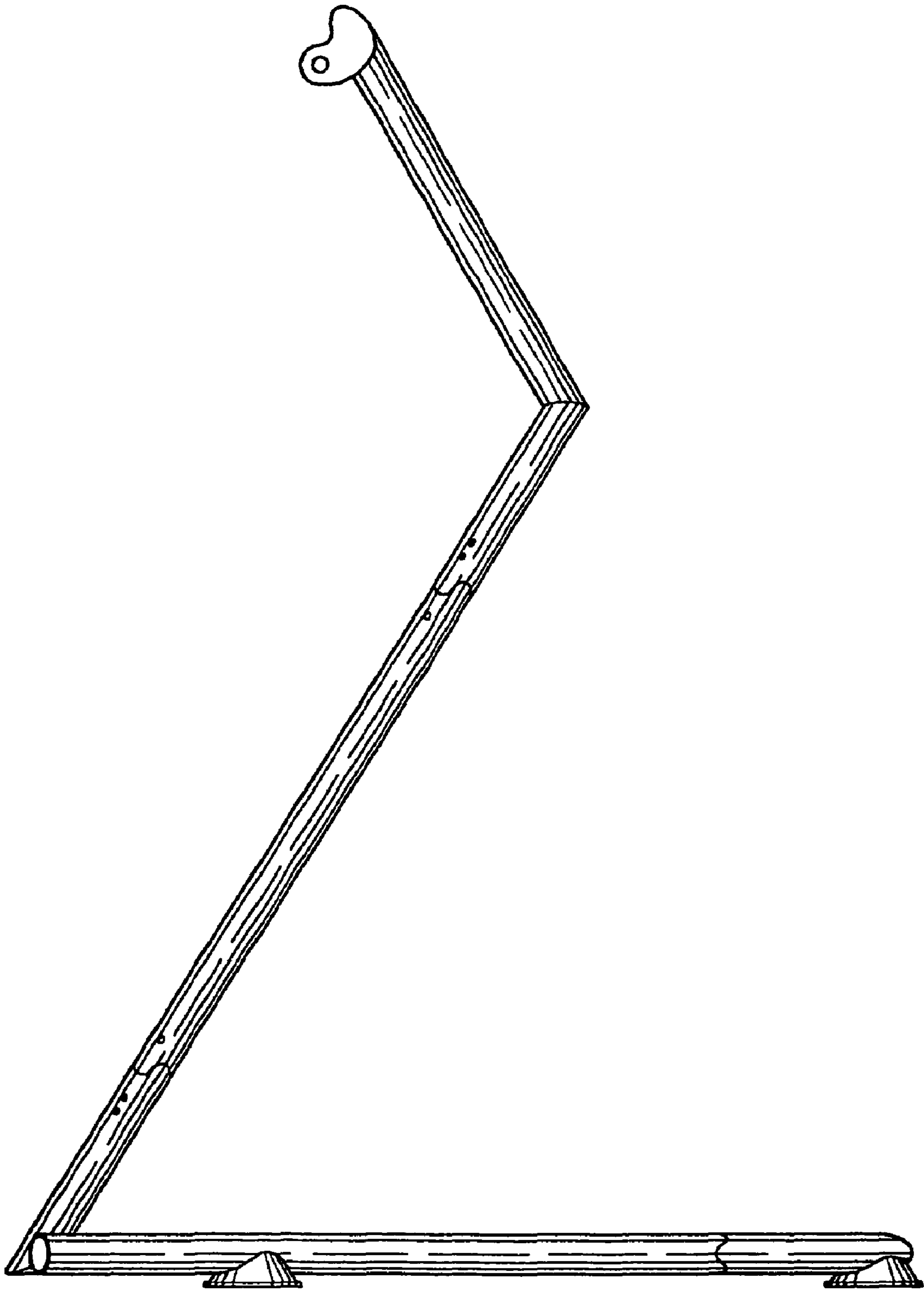


FIG. 7