



US00D548498S

(12) **United States Design Patent**
Roleder et al.

(10) **Patent No.:** **US D548,498 S**

(45) **Date of Patent:** **** Aug. 14, 2007**

(54) **ENDPLATE**

(75) Inventors: **Jon Roleder**, San Diego, CA (US);
Richard Estrada, Oceanside, CA (US);
Daigo Yachi, San Diego, CA (US)

(73) Assignee: **Earthlite Massage Tables, Inc.**, Vista,
CA (US)

(**) Term: **14 Years**

(21) Appl. No.: **29/231,757**

(22) Filed: **Jun. 8, 2005**

(51) **LOC (8) Cl.** **06-06**

(52) **U.S. Cl.** **D6/492; D24/184; D6/491**

(58) **Field of Classification Search** D6/480-489,
D6/495-499, 382, 392, 491-494, 376; 108/153.1,
108/155, 156, 161; 248/188, 188.1; D24/183,
D24/184; D25/152-154; 5/621, 622, 279.1,
5/907

See application file for complete search history.

(56) **References Cited**

U.S. PATENT DOCUMENTS

D282,799 S *	3/1986	Doezema	D6/495
D373,031 S *	8/1996	Martin	D6/380
D436,750 S *	1/2001	Tseng	D6/376
D491,738 S *	6/2004	Vanderminden	D6/376

OTHER PUBLICATIONS

<http://www.oakworks.net/portables/advanta.html>. These webpages include pictures of prior art massage tables sold by Oakworks.
http://www.customcraftworks.com/port_tables1.html. These webpages include pictures of prior art massage tables sold Custom Craftworks.

<http://www.goldenratio.com/GRW/Portable/MasterBodyworker.html>. These webpages include pictures of prior art massage tables sold by Golden Ratio.

Earthlite Massage Tables, Inc. product brochure. This brochure includes pictures of prior art massage tables sold by Earthlite Massage Tables, Inc.

<http://www.ovaltable.com/massageTables.htm>. These webpages include pictures of a prior art massage table end plate design sold by Creative Touch.

* cited by examiner

Primary Examiner—Janice E. Seeger

(74) *Attorney, Agent, or Firm*—Steven G. Roeder; James P. Broder

(57) **CLAIM**

The ornamental design for an endplate, as shown and described.

DESCRIPTION

FIG. 1 is a perspective view of an endplate, showing our new design;

FIG. 2 is a front perspective view of the endplate;

FIG. 3 is a front view of the endplate;

FIG. 4 is a rear view of the endplate;

FIG. 5 is a top view of the endplate, the bottom view is a mirror image thereof; and,

FIG. 6 is a side view of the endplate, the other side is a mirror image thereof.

The broken lines showing the massage table are for environmental purposes only and form no part of the claimed design.

1 Claim, 3 Drawing Sheets

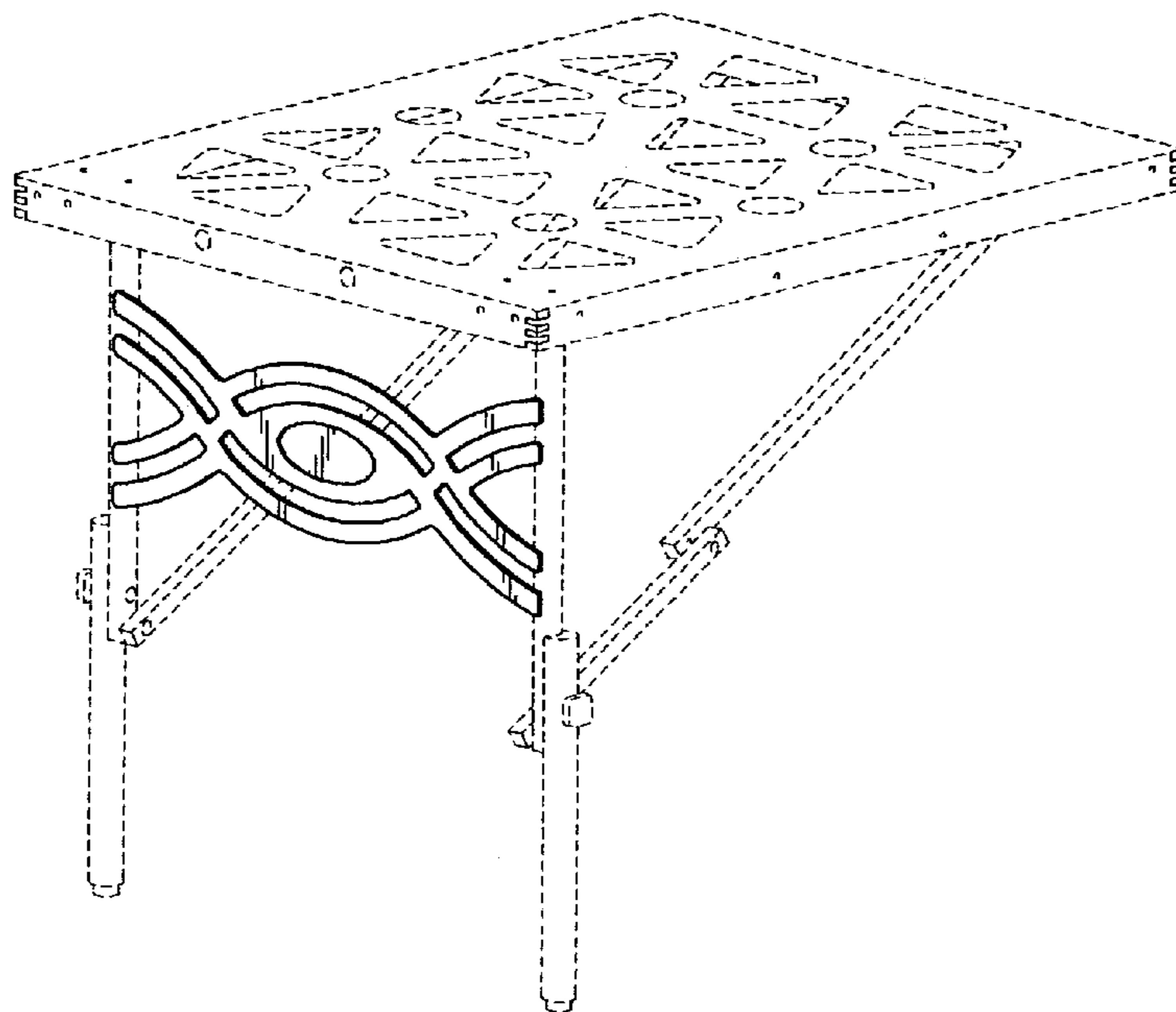
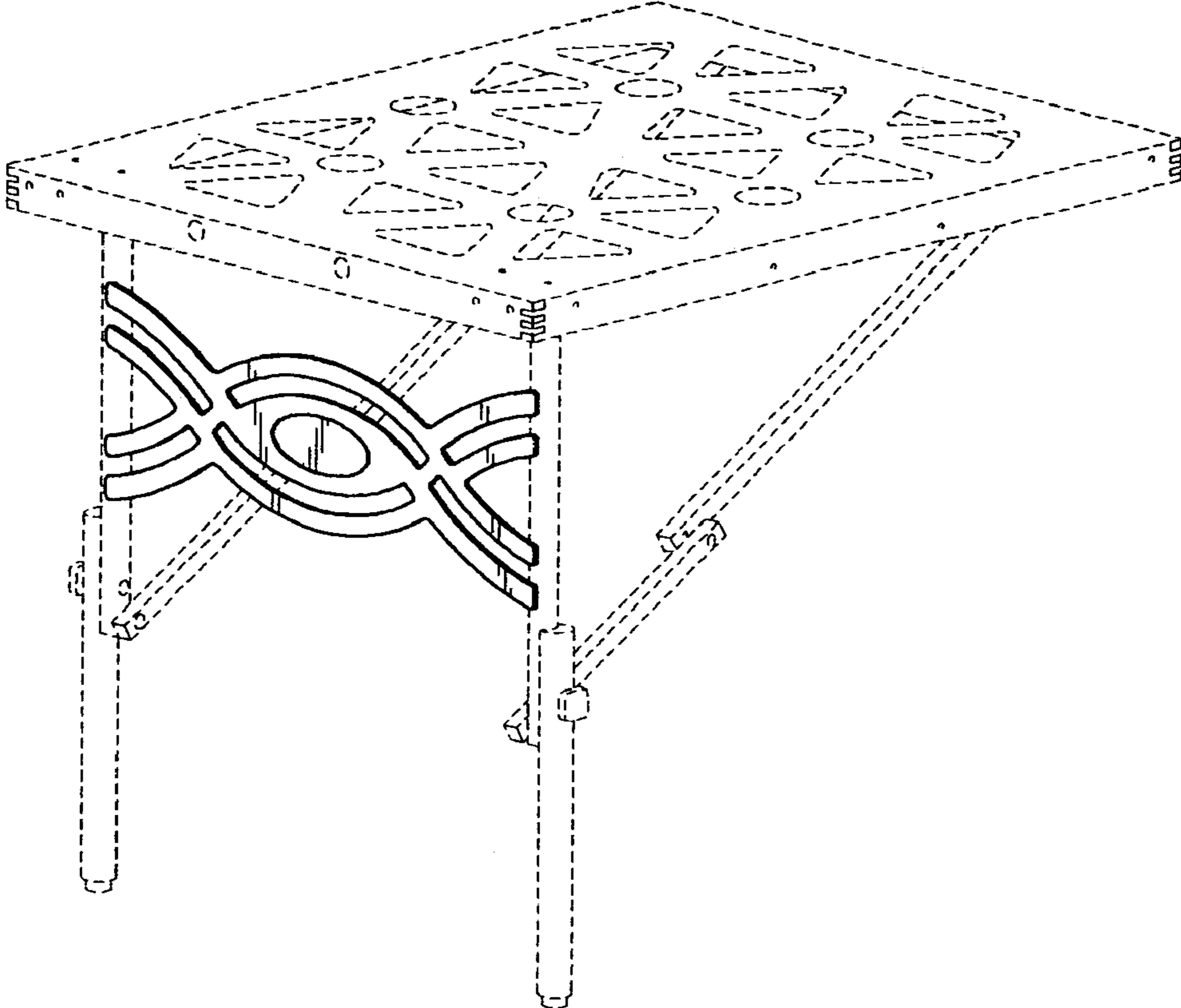


FIG. 1



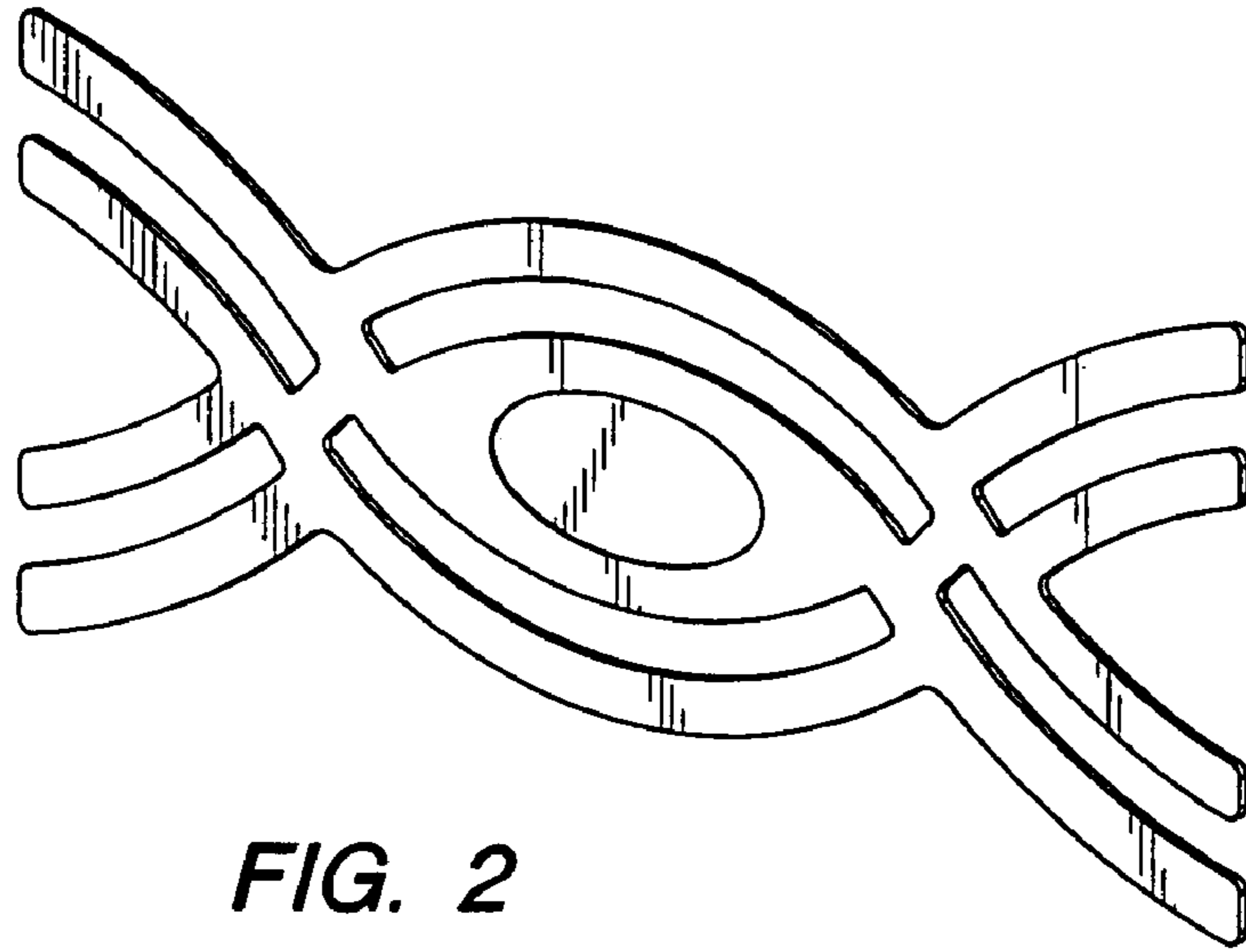


FIG. 2

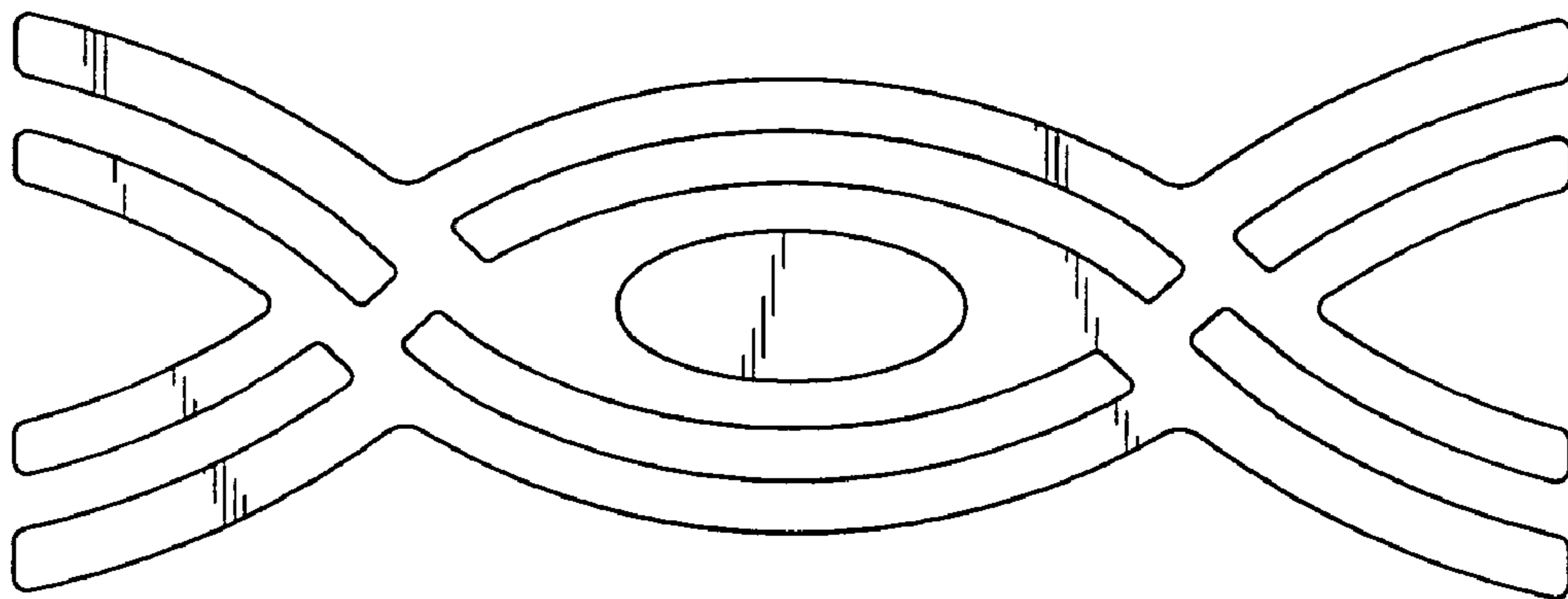


FIG. 3

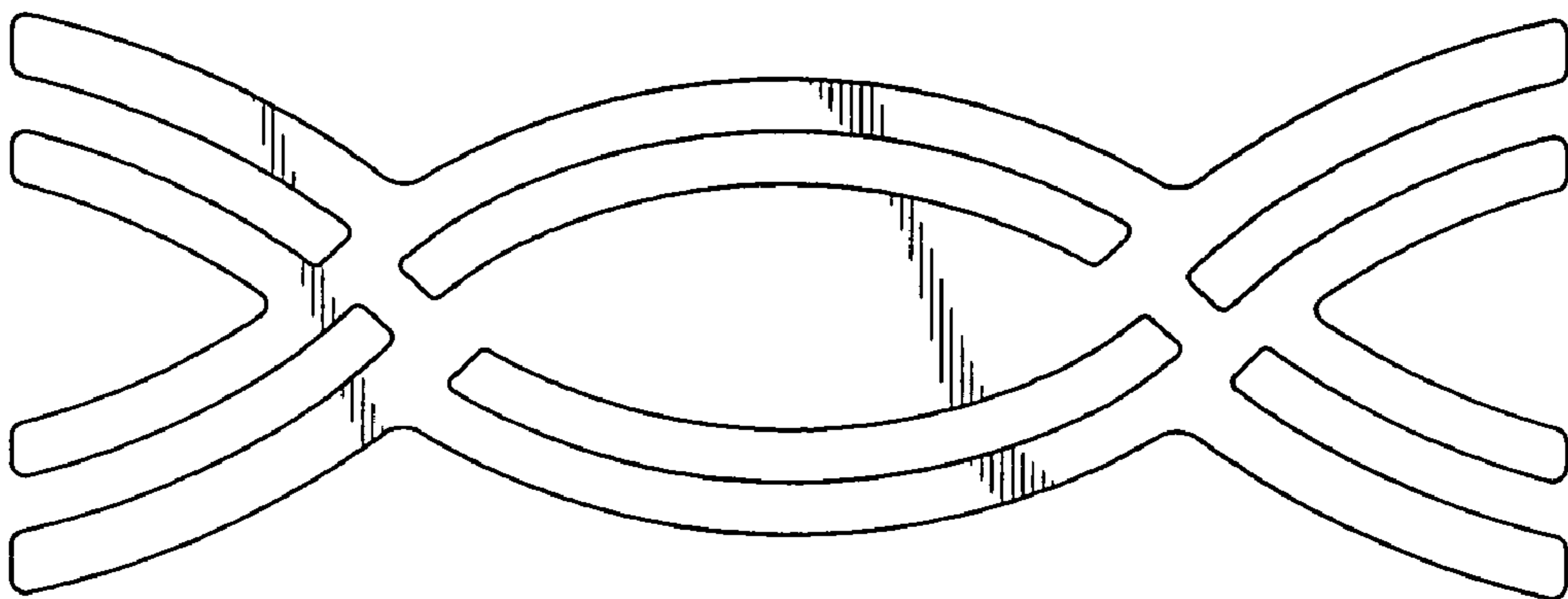


FIG. 4



FIG. 5



FIG. 6