

US00D548497S

(12) **United States Design Patent**
Relling

(10) **Patent No.:** **US D548,497 S**

(45) **Date of Patent:** **** Aug. 14, 2007**

(54) **SIDE MEMBER FOR A SOFA OR THE LIKE**

D502,818 S * 3/2005 Thompson D6/373
D535,483 S * 1/2007 Hutton D6/334

(75) Inventor: **Harald Relling**, Langevag (NO)

* cited by examiner

(73) Assignee: **Ekornes ASA**, Ikornnes (NO)

Primary Examiner—Sandra Snapp
(74) *Attorney, Agent, or Firm*—Schneck & Schneck;
Thomas Schneck

(**) Term: **14 Years**

(21) Appl. No.: **29/228,018**

(22) Filed: **Apr. 19, 2005**

(57) **CLAIM**

(30) **Foreign Application Priority Data**

I claim the ornamental design for a side member for a sofa or the like, as shown and described.

Oct. 20, 2004 (NO) 20040596

DESCRIPTION

(51) **LOC (8) Cl.** **06-01**

FIG. 1 is a rearward left side perspective view of a side member for a sofa or the like of my design.

(52) **U.S. Cl.** **D6/492**

FIG. 2 is a frontward right side perspective view of the design of FIG. 1.

(58) **Field of Classification Search** D6/334-336,
D6/361, 371, 381, 500-502, 492; 297/445.1,
297/446.1, 232, 248; 5/12.1

FIG. 3 is a bottom view of the design of FIG. 2.

See application file for complete search history.

FIG. 4 is a front view of the design of FIG. 2.

(56) **References Cited**

FIG. 5 is a right side elevational view of the design of FIG. 2.

U.S. PATENT DOCUMENTS

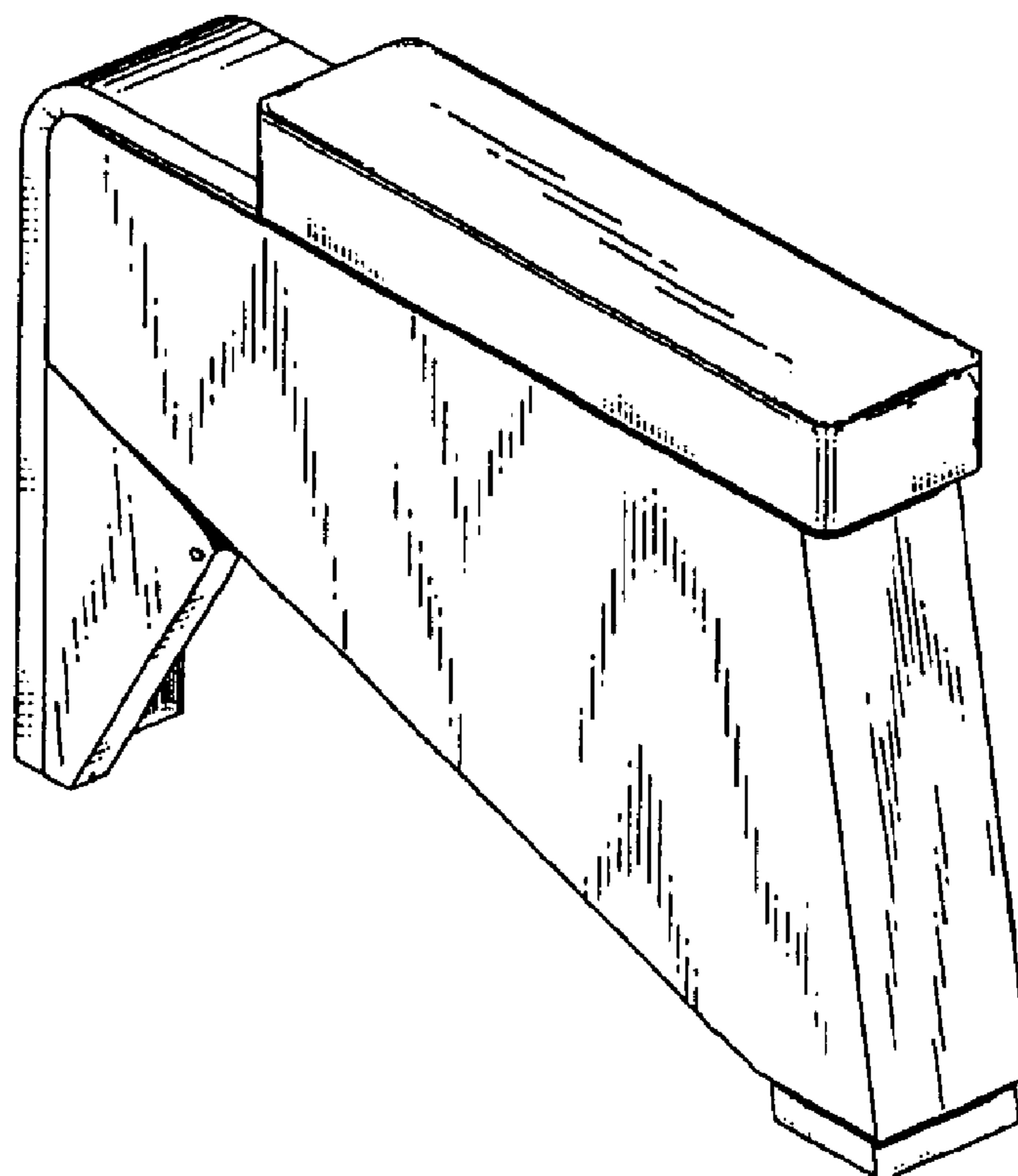
- D182,644 S * 4/1958 Caldemeyer D6/492
- D419,313 S * 1/2000 Gelbart D6/334
- D489,908 S * 5/2004 Ricci D6/334
- D491,756 S * 6/2004 Nemeth D6/492
- D500,212 S * 12/2004 Potter D6/367
- D500,608 S * 1/2005 Potter et al. D6/367
- D500,609 S * 1/2005 Potter D6/367

FIG. 6 is a rear view of the design of FIG. 2.

FIG. 7 is a left side elevational view of the design of FIG. 2; and,

FIG. 8 is a top view of the design of FIG. 2.

1 Claim, 2 Drawing Sheets



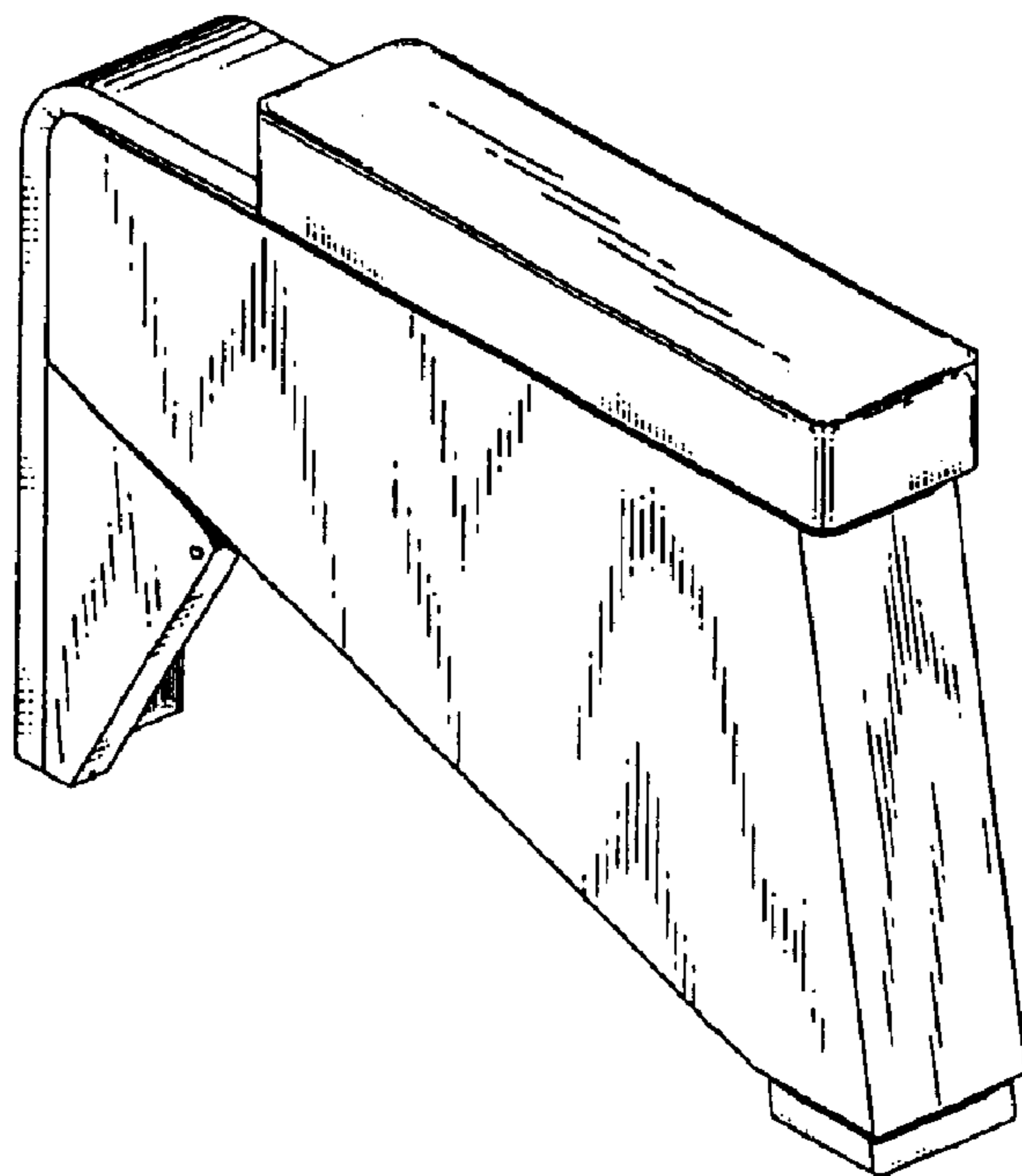


Fig. 1

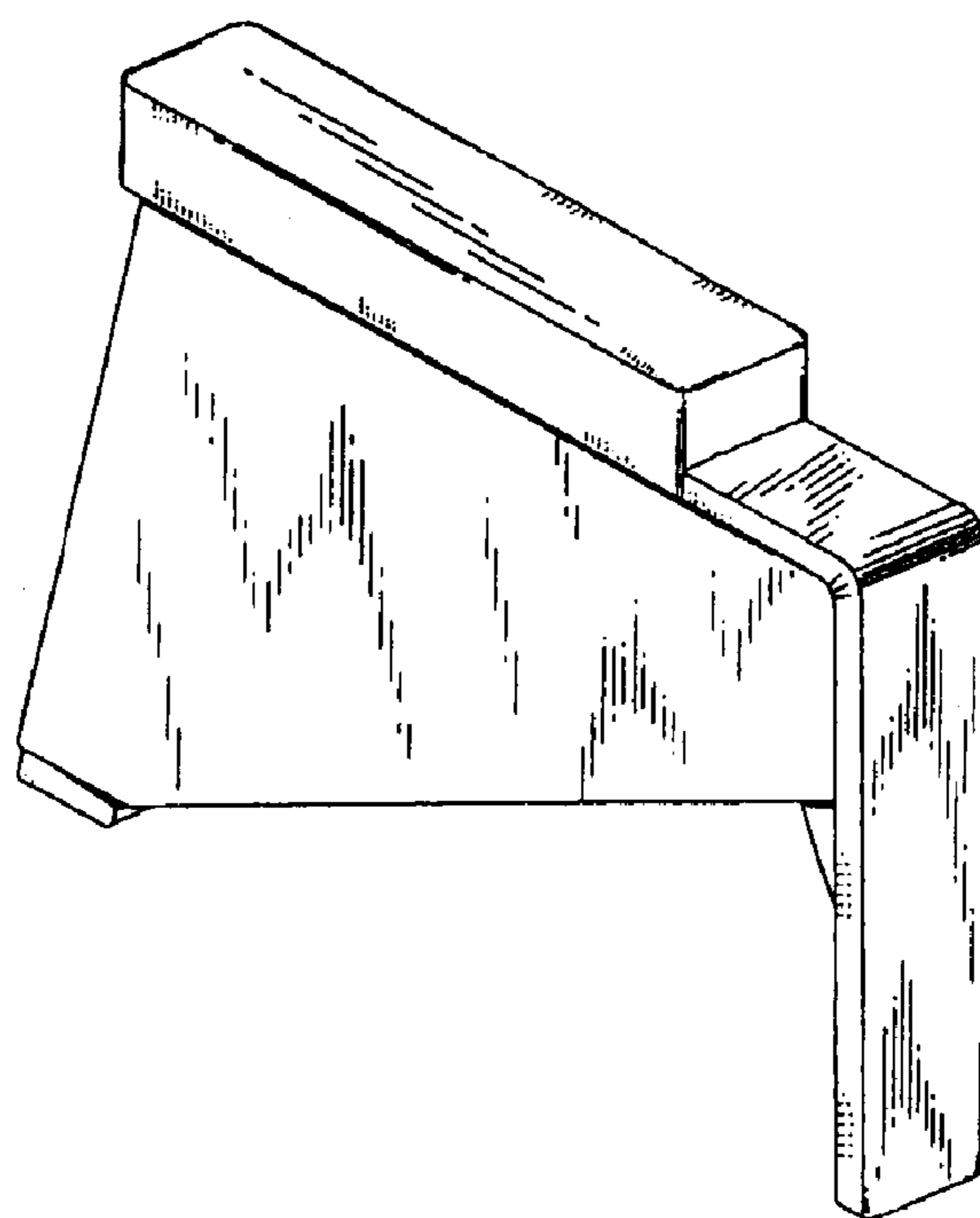


Fig. 2

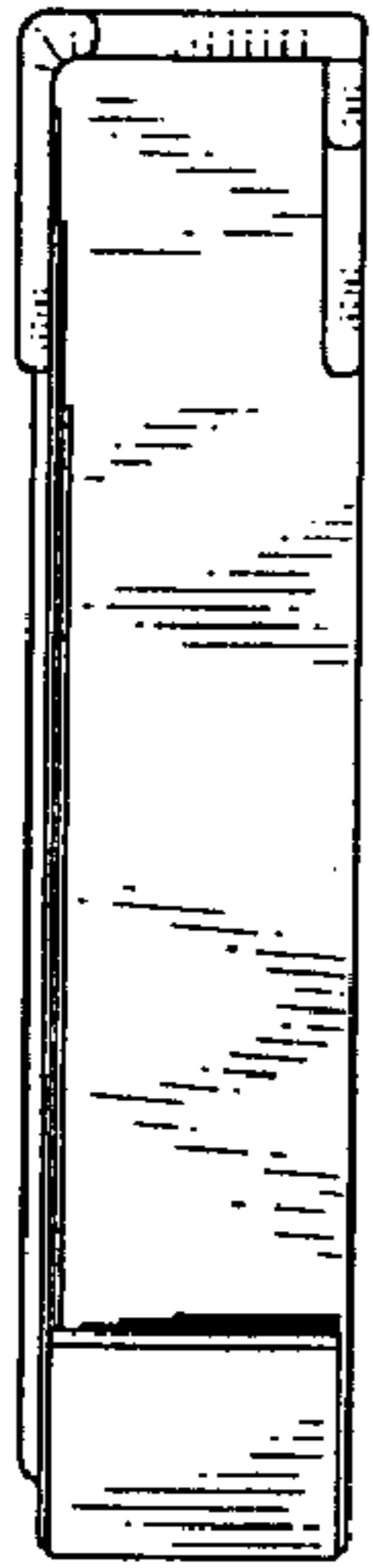


Fig. 3

Fig. 4

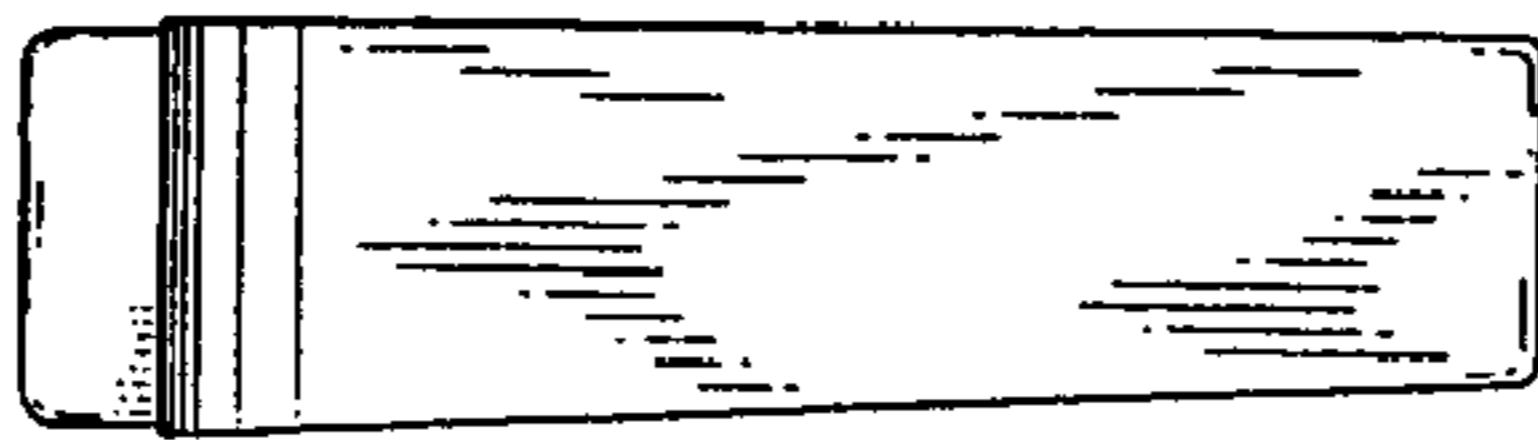


Fig. 6

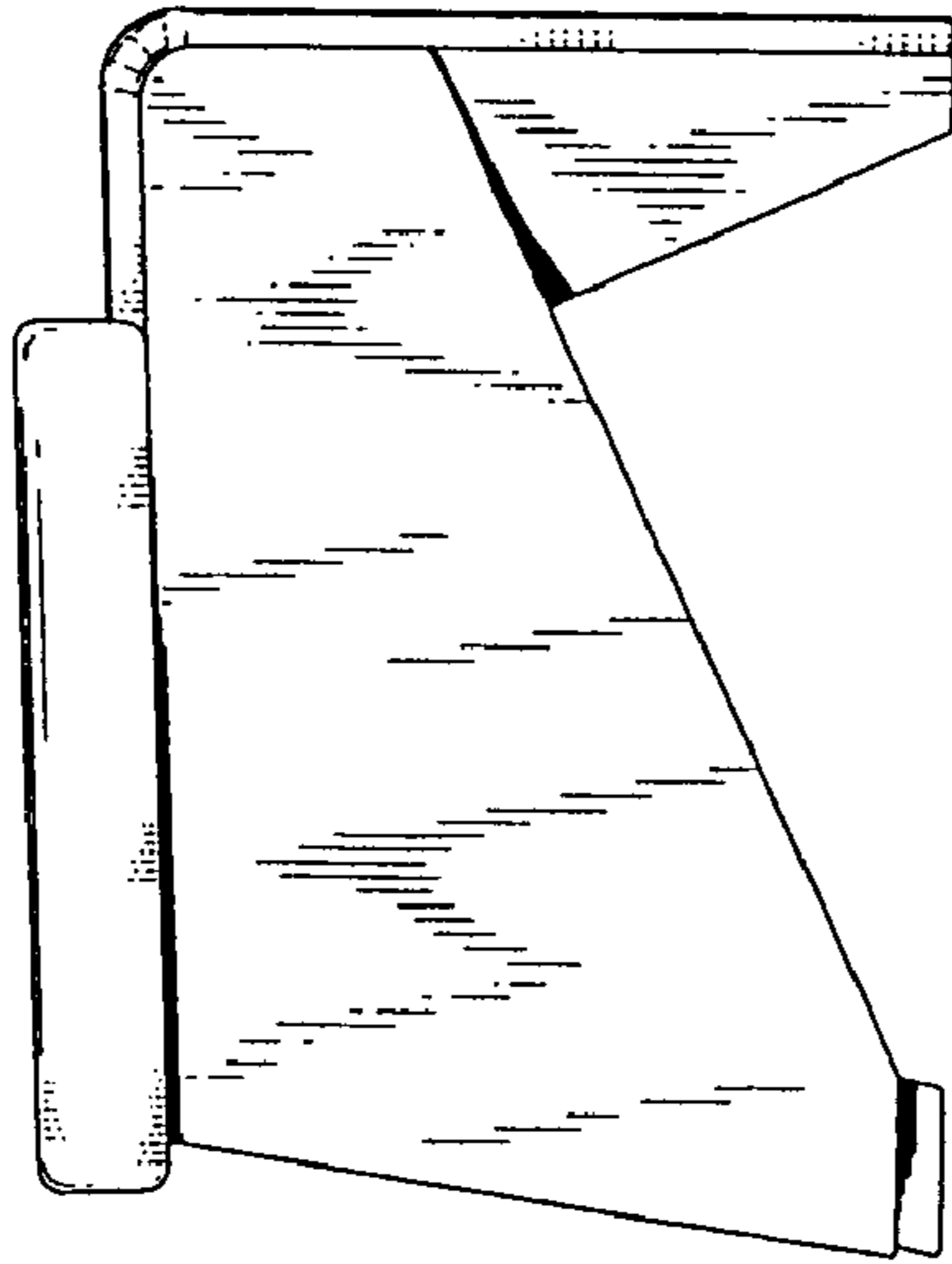


Fig. 5

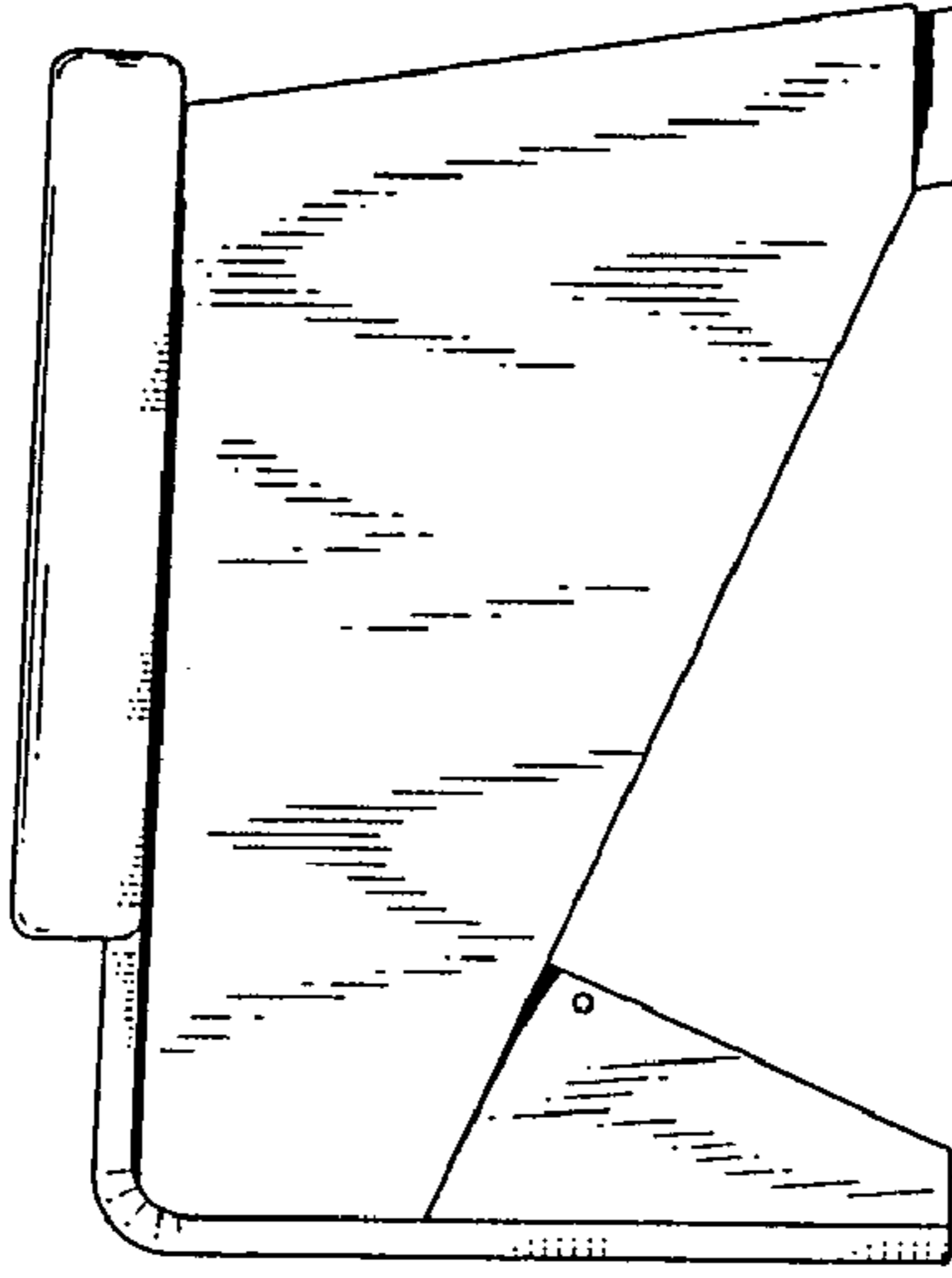


Fig. 7

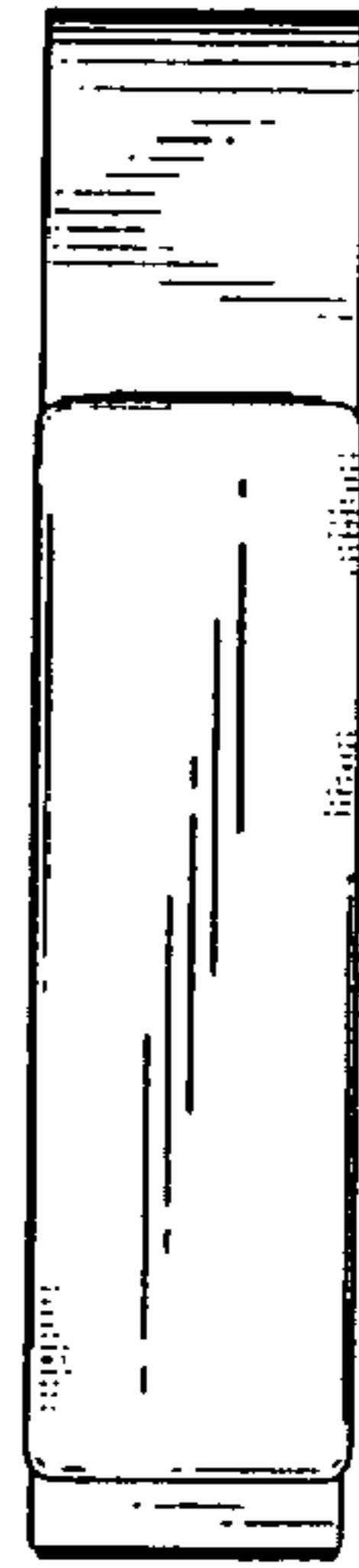


Fig. 8