



US00D548496S

(12) **United States Design Patent**  
**Samtani**

(10) **Patent No.:** **US D548,496 S**

(45) **Date of Patent:** **\*\* Aug. 14, 2007**

(54) **TRAY TABLE**

D435,366 S \* 12/2000 McClintock et al. .... D6/480  
D510,670 S \* 10/2005 Glass et al. .... D6/487

(76) Inventor: **Kishore Samtani**, Unit 2708, 27<sup>th</sup>  
Floor, Greenfield Tower Concordia  
Plaza, No. 1 Science Museum Road,  
Tsimshatsui, Kowloon (HK)

\* cited by examiner

*Primary Examiner*—Janice E. Seeger  
(74) *Attorney, Agent, or Firm*—Dreier LLP

(\*\*) Term: **14 Years**

(57) **CLAIM**

(21) Appl. No.: **29/254,881**

The ornamental design for a tray table, as shown and described.

(22) Filed: **Mar. 1, 2006**

(51) **LOC (8) Cl.** ..... **06-03**

**DESCRIPTION**

(52) **U.S. Cl.** ..... **D6/486; D6/429; D6/487**

FIG. 1 is a perspective view of a tray table illustrating the ornamental design of the present invention.

(58) **Field of Classification Search** ..... D6/480–489,  
D6/495–499, 511, 429–431; 108/150, 153.1,  
108/155, 156, 144.11, 145, 146, 147.18, 147.19;  
248/188.8, 188, 188.1

FIG. 2 is a left side elevational view thereof.

FIG. 3 is a right side elevational view thereof.

See application file for complete search history.

FIG. 4 is a rear elevational view thereof.

FIG. 5 is a front elevational view thereof.

(56) **References Cited**

FIG. 6 is a top plan view; and,

**U.S. PATENT DOCUMENTS**

FIG. 7 is a bottom plan view thereof.

D122,925 S \* 10/1940 Holden et al. .... D6/406.2

The broken lines are for environmental purposes only and form no part of the claimed design.

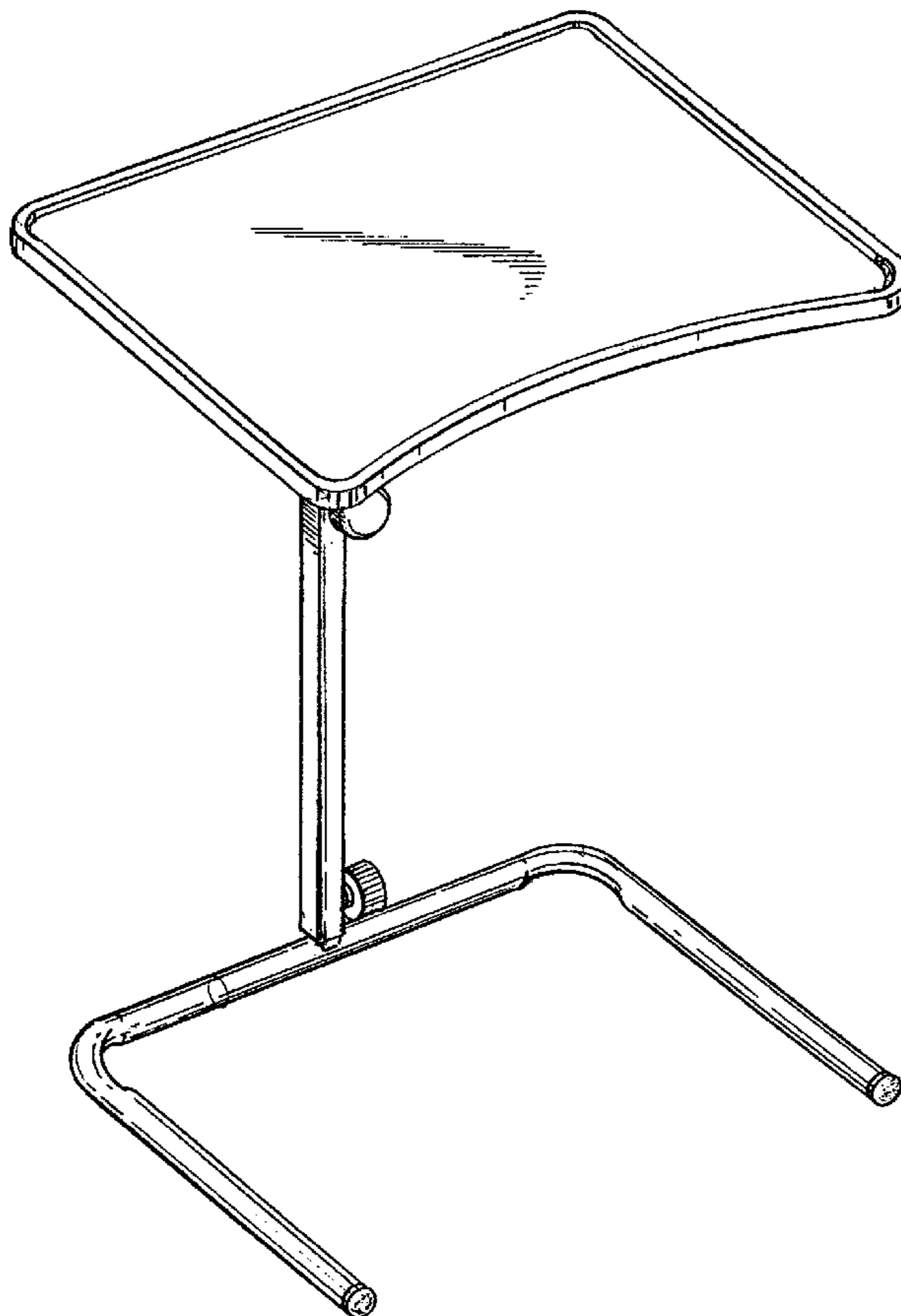
D236,045 S \* 7/1975 Petrie ..... D6/420

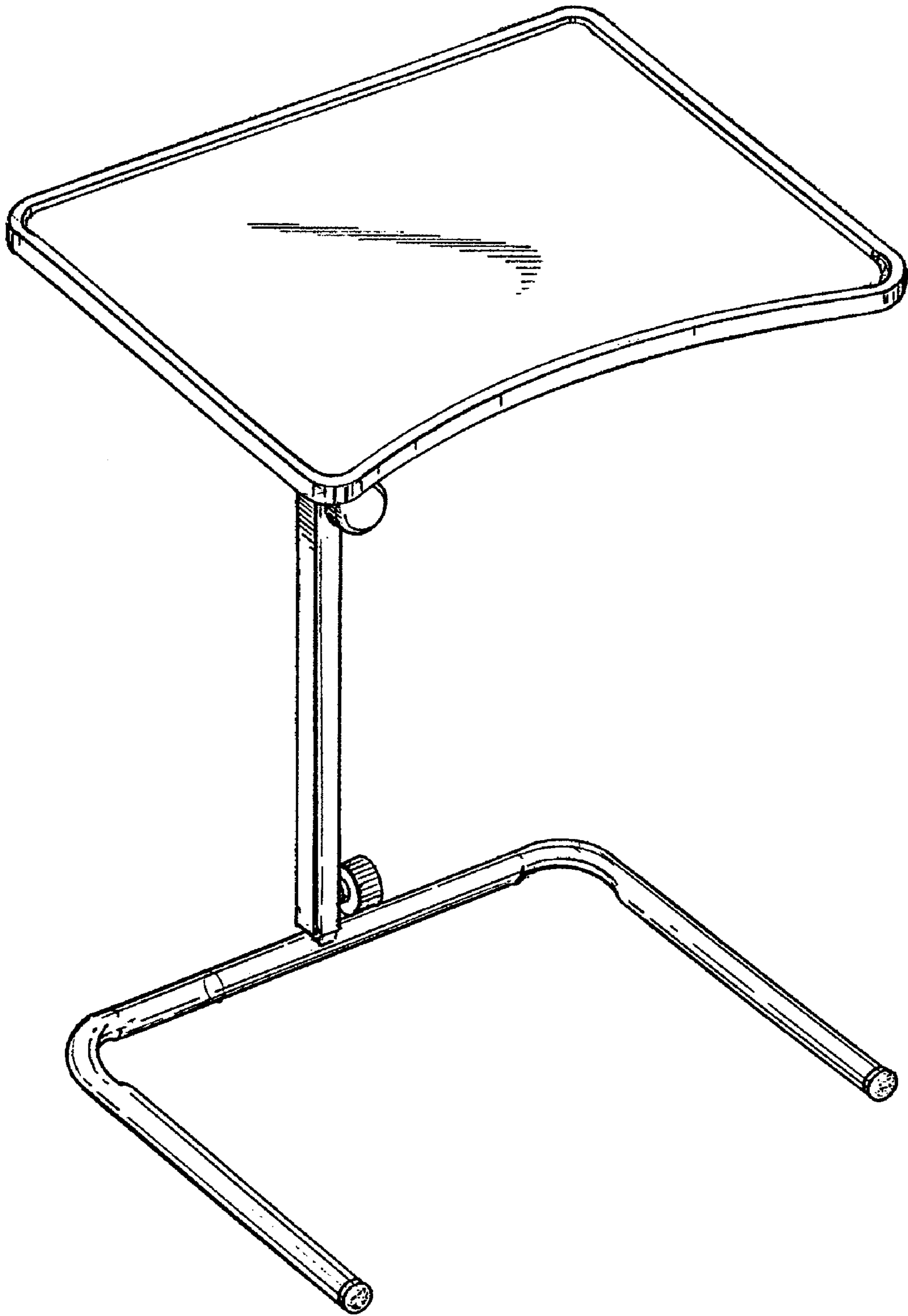
D296,851 S \* 7/1988 Kelley ..... D6/420

D314,878 S \* 2/1991 Hart ..... D6/486

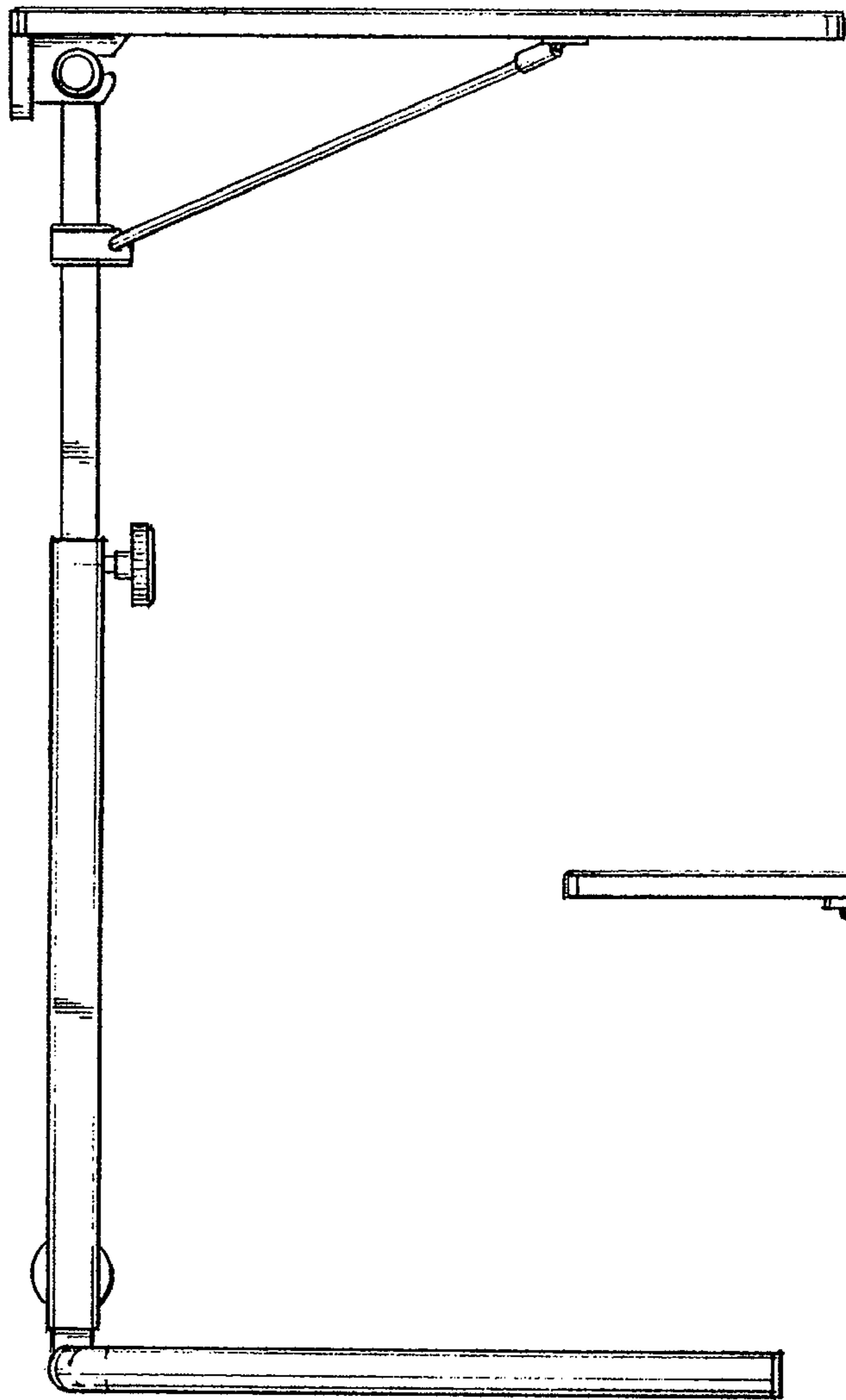
D415,635 S \* 10/1999 Bengtsson ..... D6/486

**1 Claim, 4 Drawing Sheets**

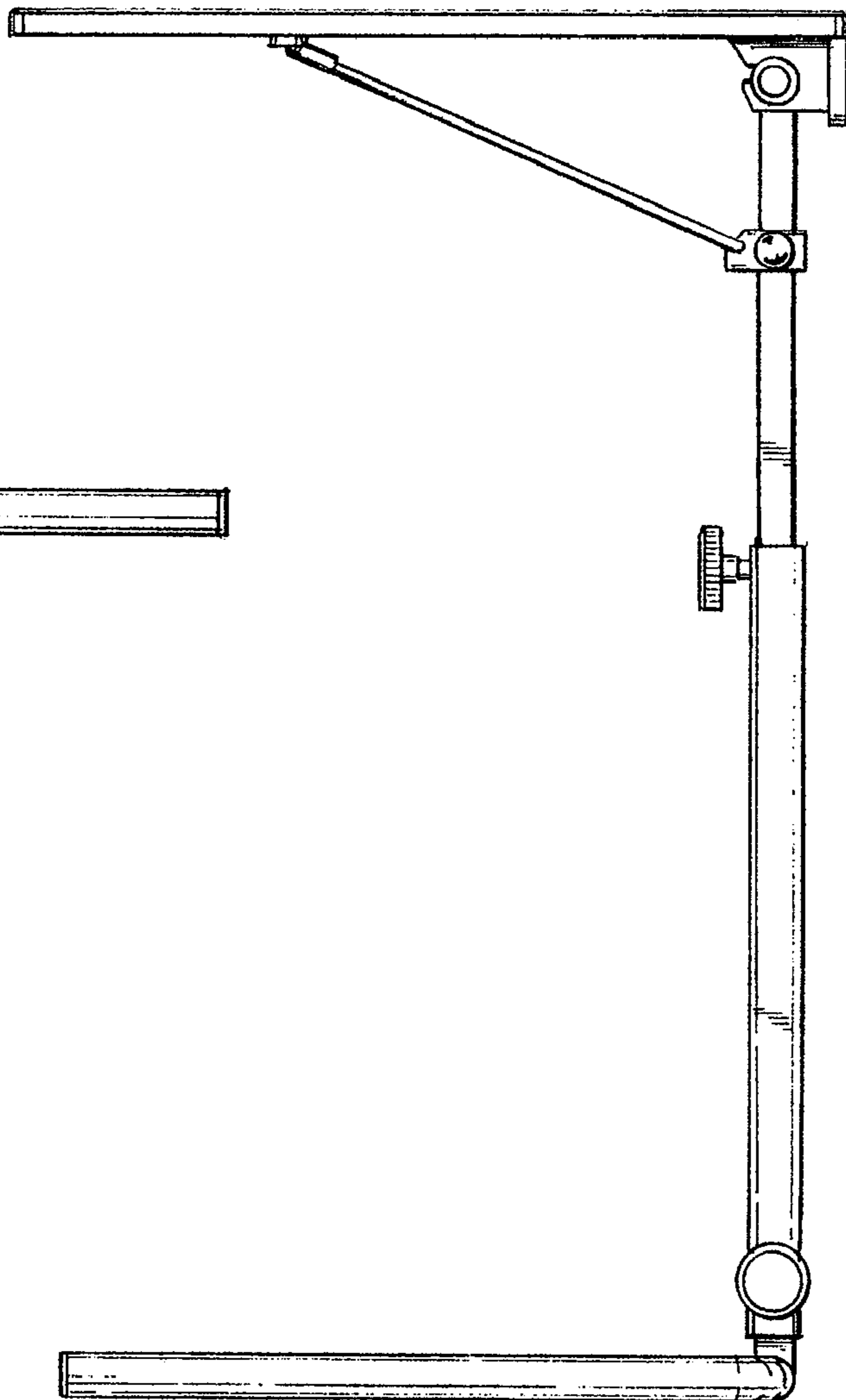




*Fig. 1*



*Fig. 2*



*Fig. 3*

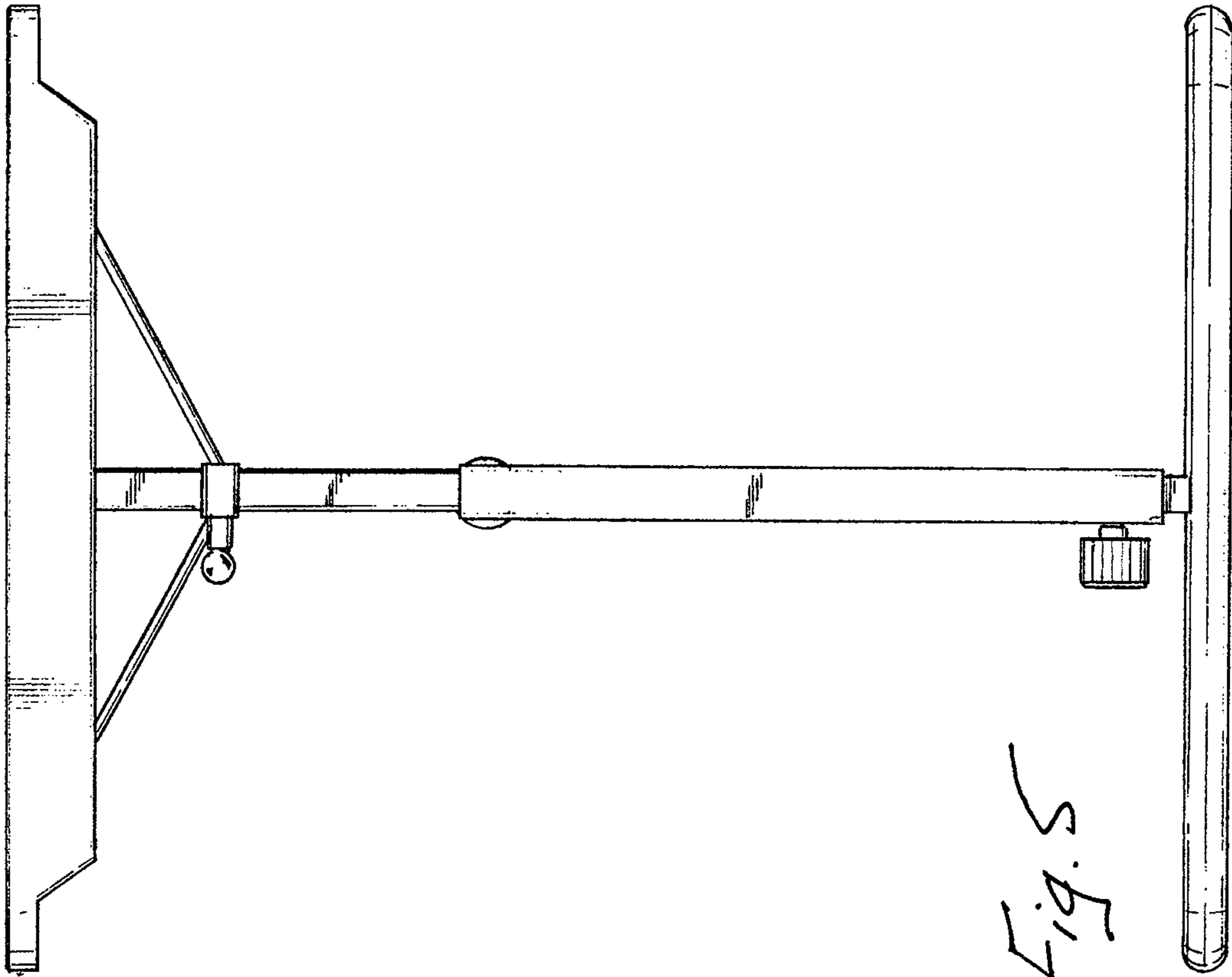


Fig. 5

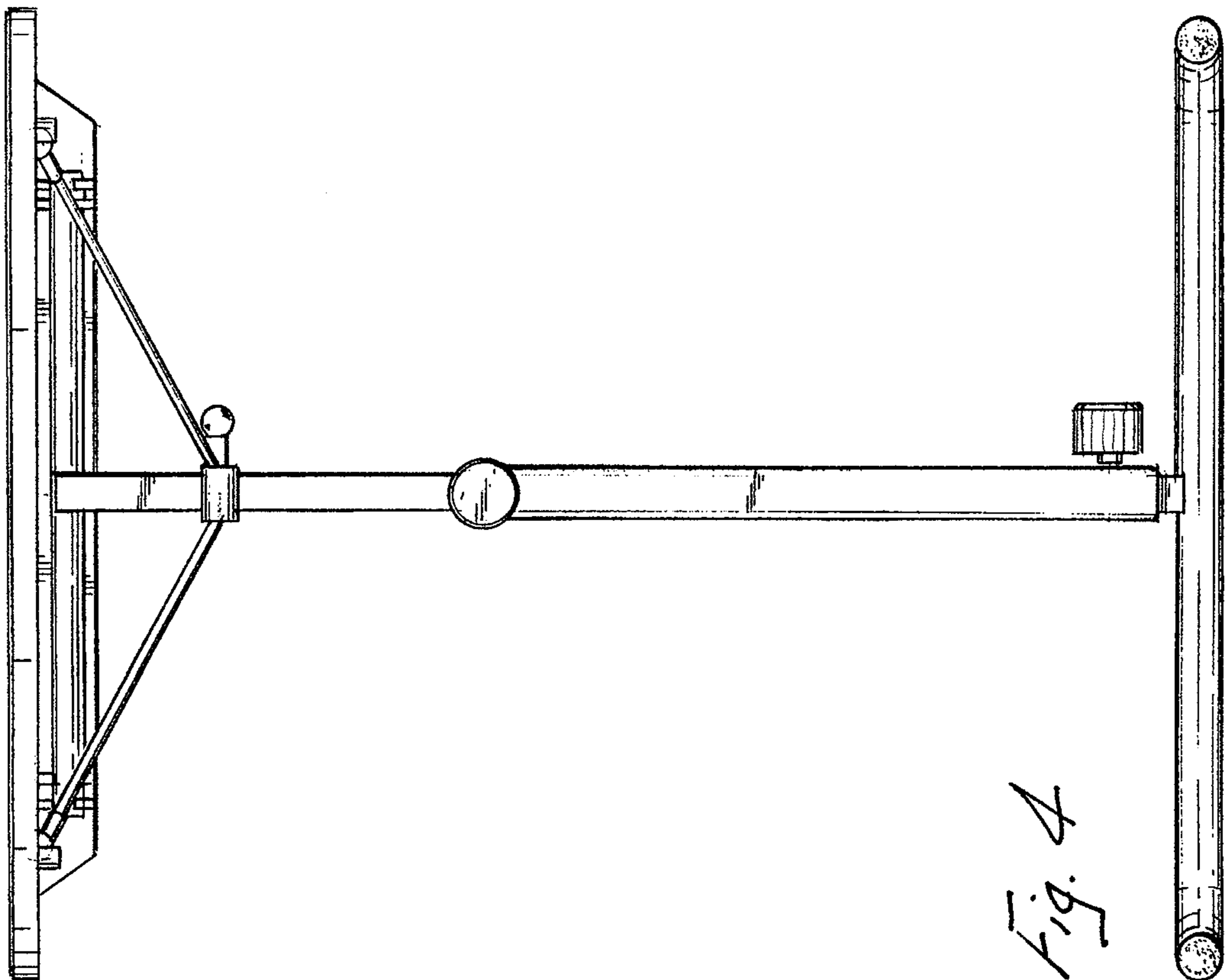
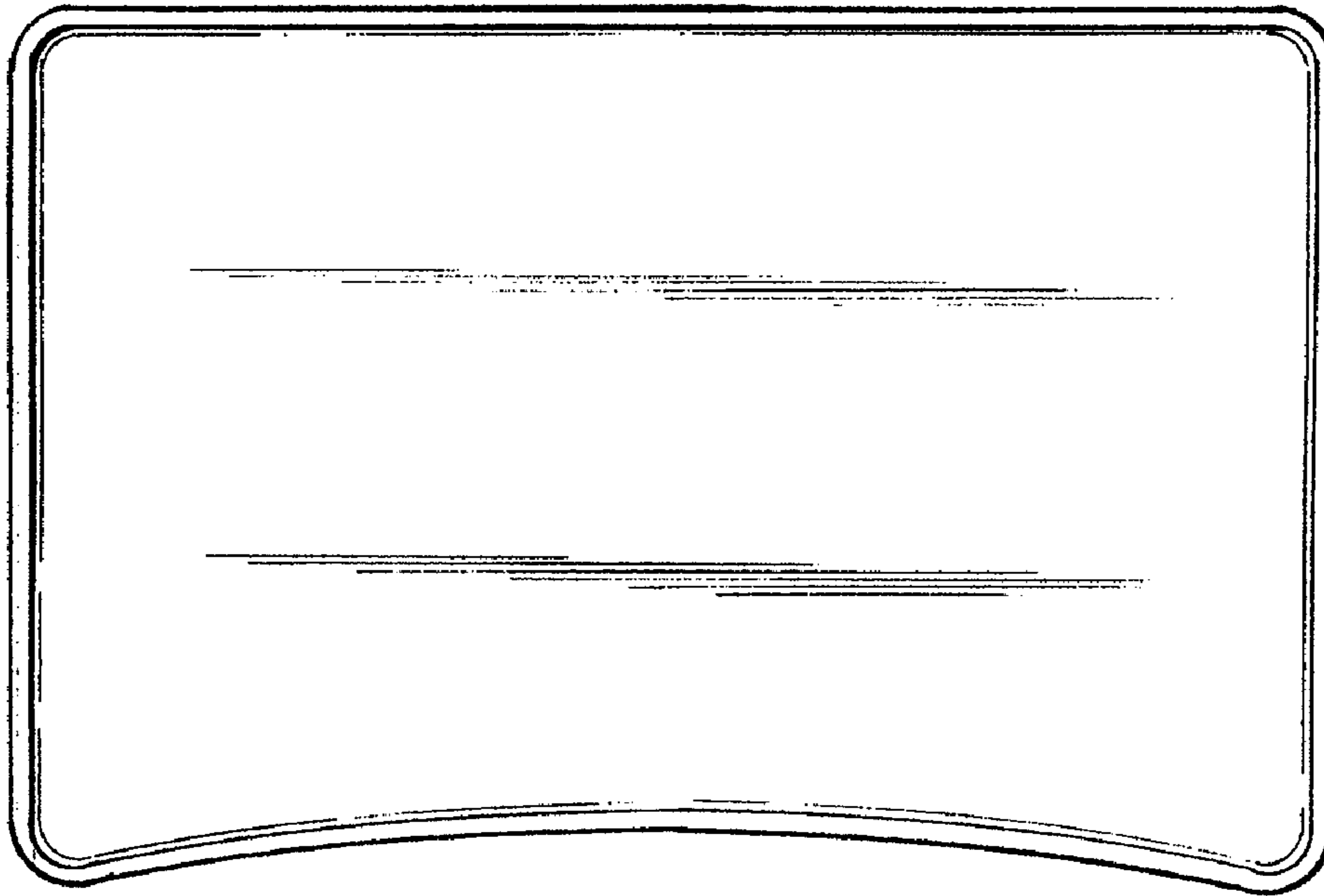
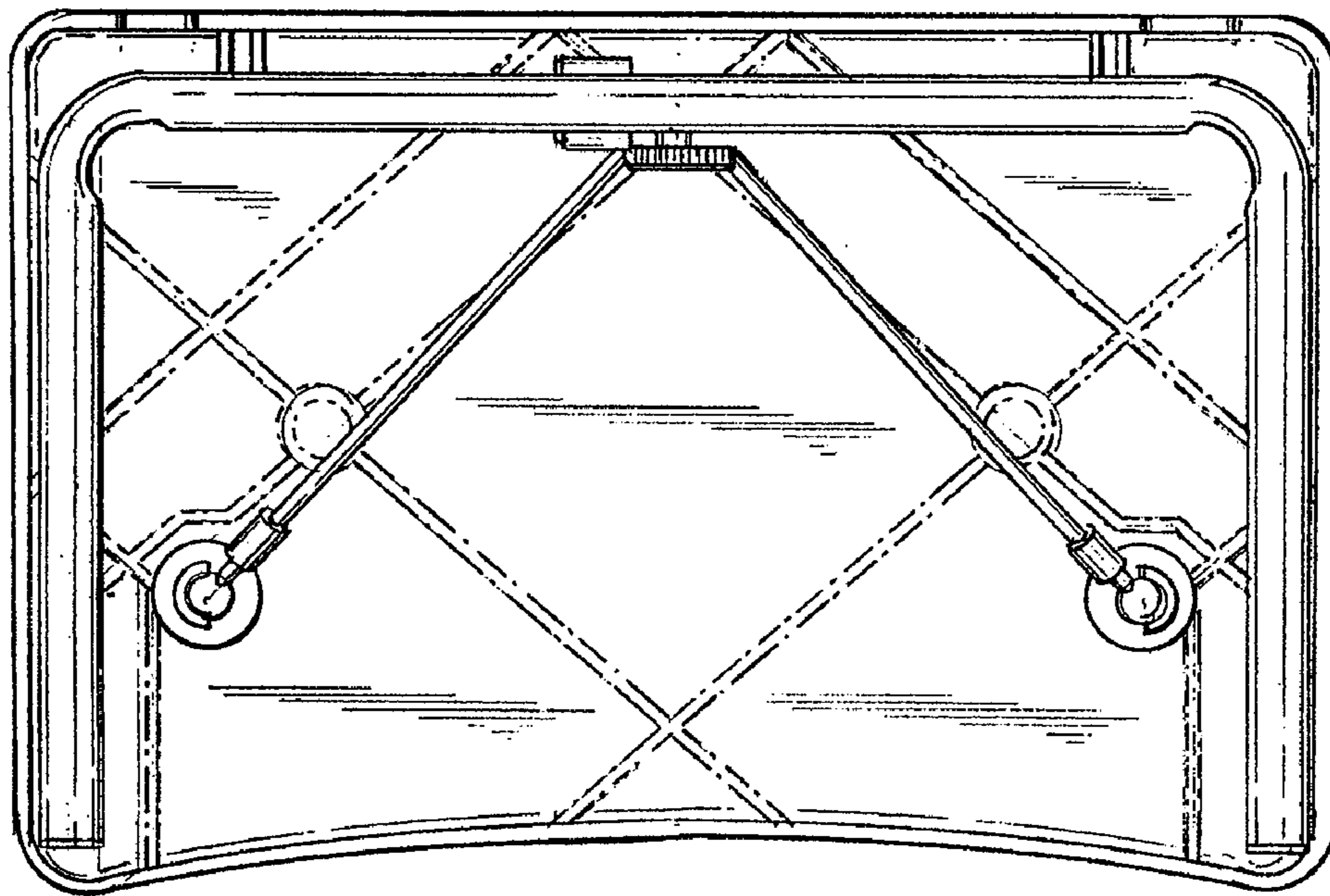


Fig. 4



*Fig. 6*



*Fig. 7*