

US00D548494S

(12) **United States Design Patent**
Mercs

(10) **Patent No.:** **US D548,494 S**

(45) **Date of Patent:** **** Aug. 14, 2007**

(54) **TABLE**

(76) Inventor: **Janis Mercs**, Bezdeligu Iela 12, Riga (LV) LV-1007

(**) Term: **14 Years**

(21) Appl. No.: **29/254,779**

(22) Filed: **Mar. 1, 2006**

(51) **LOC (8) Cl.** **06-03**

(52) **U.S. Cl.** **D6/485**

(58) **Field of Classification Search** D6/480-489, D6/495-499, 511, 429, 349, 355; 108/150, 108/153.1, 155, 156, 157.14; 248/188, 188.1, 248/188.8, 174; 312/259; 297/440.12
See application file for complete search history.

(56) **References Cited**

U.S. PATENT DOCUMENTS

3,212,464	A	*	10/1965	Steuer	108/159
D227,329	S	*	6/1973	Grossman	D6/485
D367,786	S	*	3/1996	Carr et al.	D6/481
D373,487	S	*	9/1996	Eisner	D6/429
D375,006	S	*	10/1996	Hakansson	D6/484
6,161,901	A	*	12/2000	Avner	207/440.12

D531,429 S * 11/2006 Henschel D6/480
2004/0055515 A1 * 3/2004 Chen 108/157.14

* cited by examiner

Primary Examiner—Janice E. Seeger
(74) *Attorney, Agent, or Firm*—Katten Muchin Rosenman LLP

(57) **CLAIM**

The ornamental design for a table, as shown and described.

DESCRIPTION

FIG. 1 is a perspective view of the table of the present invention looking toward the front.

FIG. 2 is a top plan view of the table of the present invention.

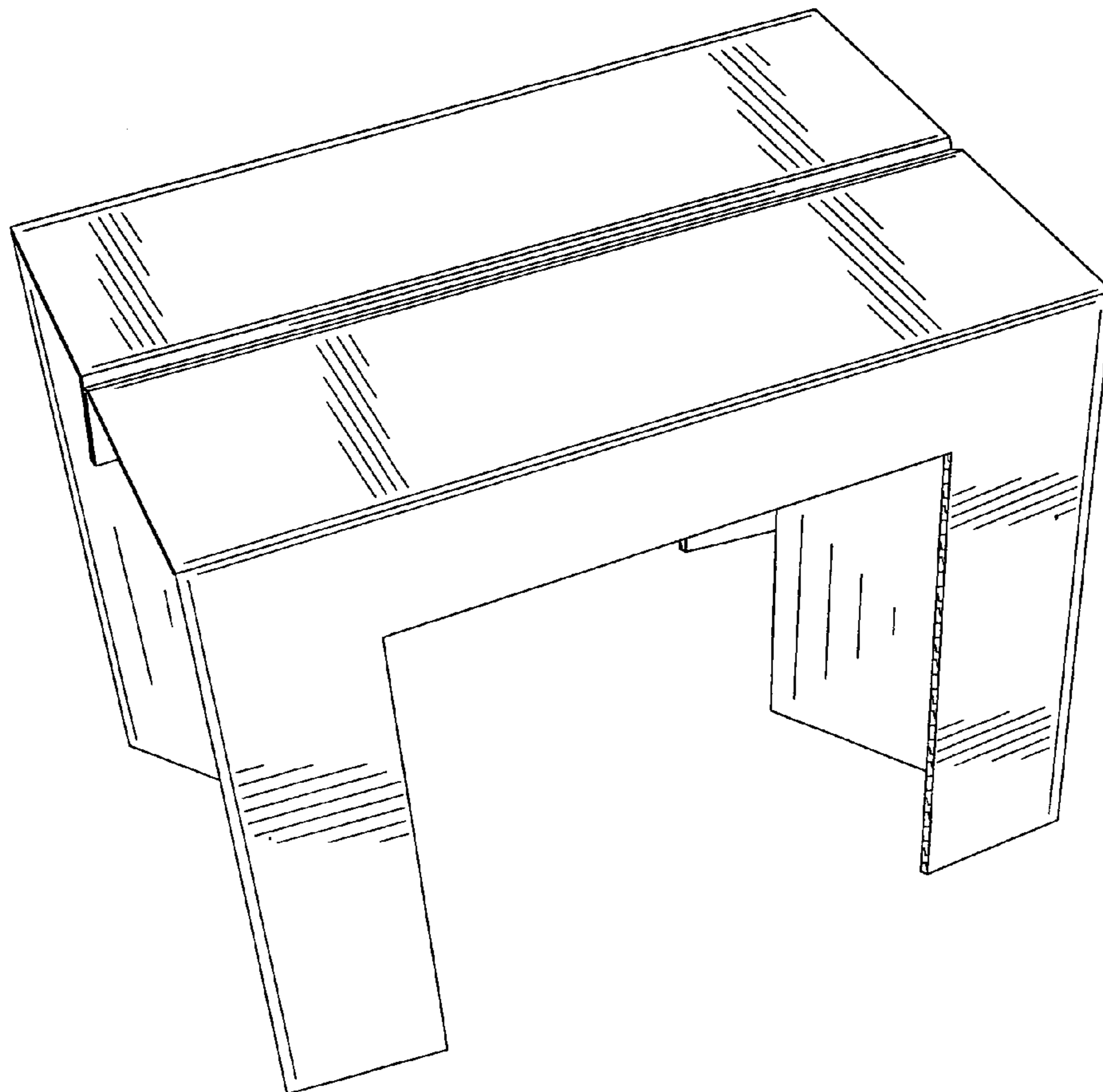
FIG. 3 is bottom plan view of the table of the present invention.

FIG. 4 is a side view of the table of the present invention; and,

FIG. 5 is a front view of the table of the present invention.

The broken lines are for environmental purposes only and form no part of the claimed design.

1 Claim, 5 Drawing Sheets



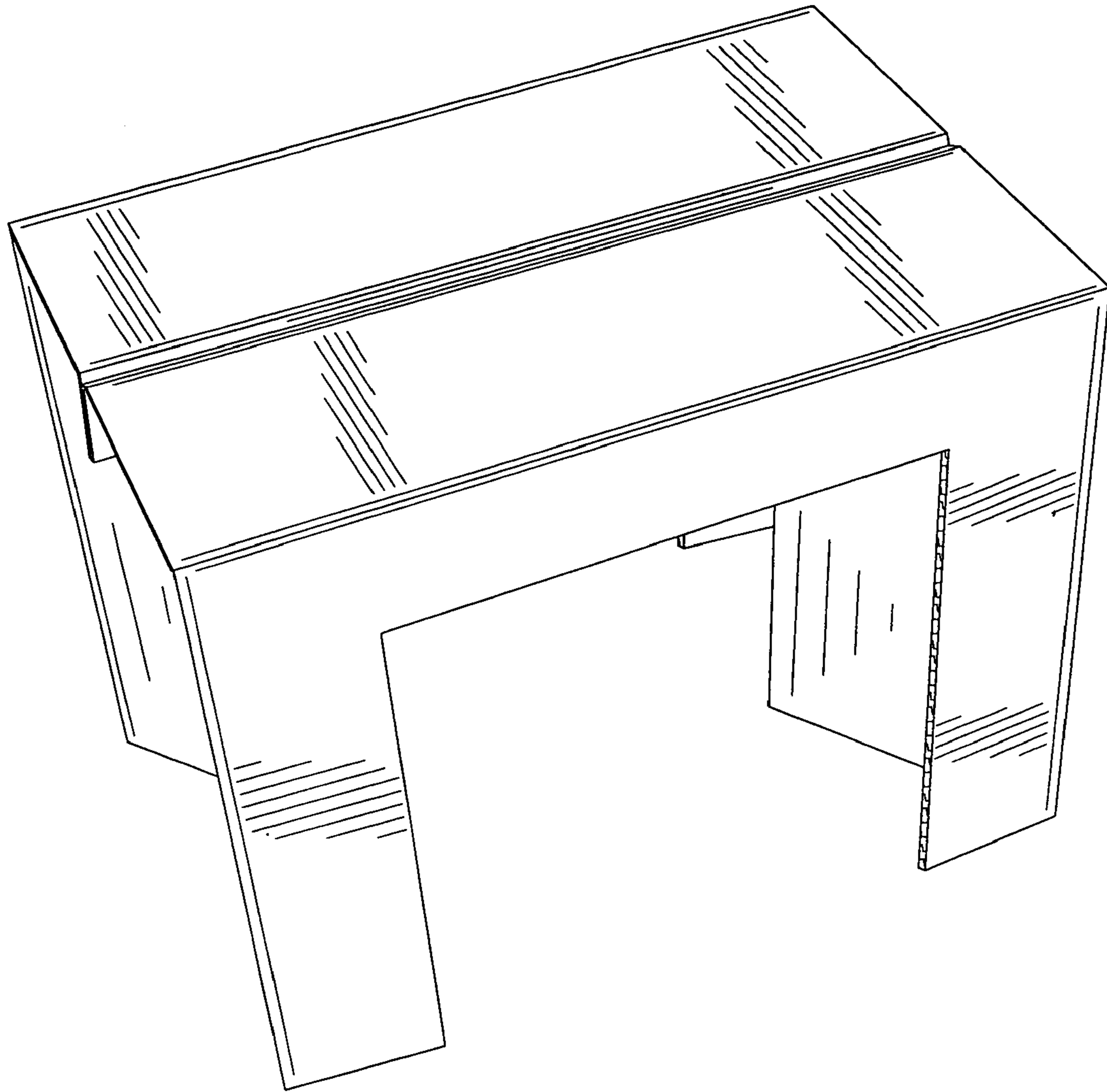


FIG. 1

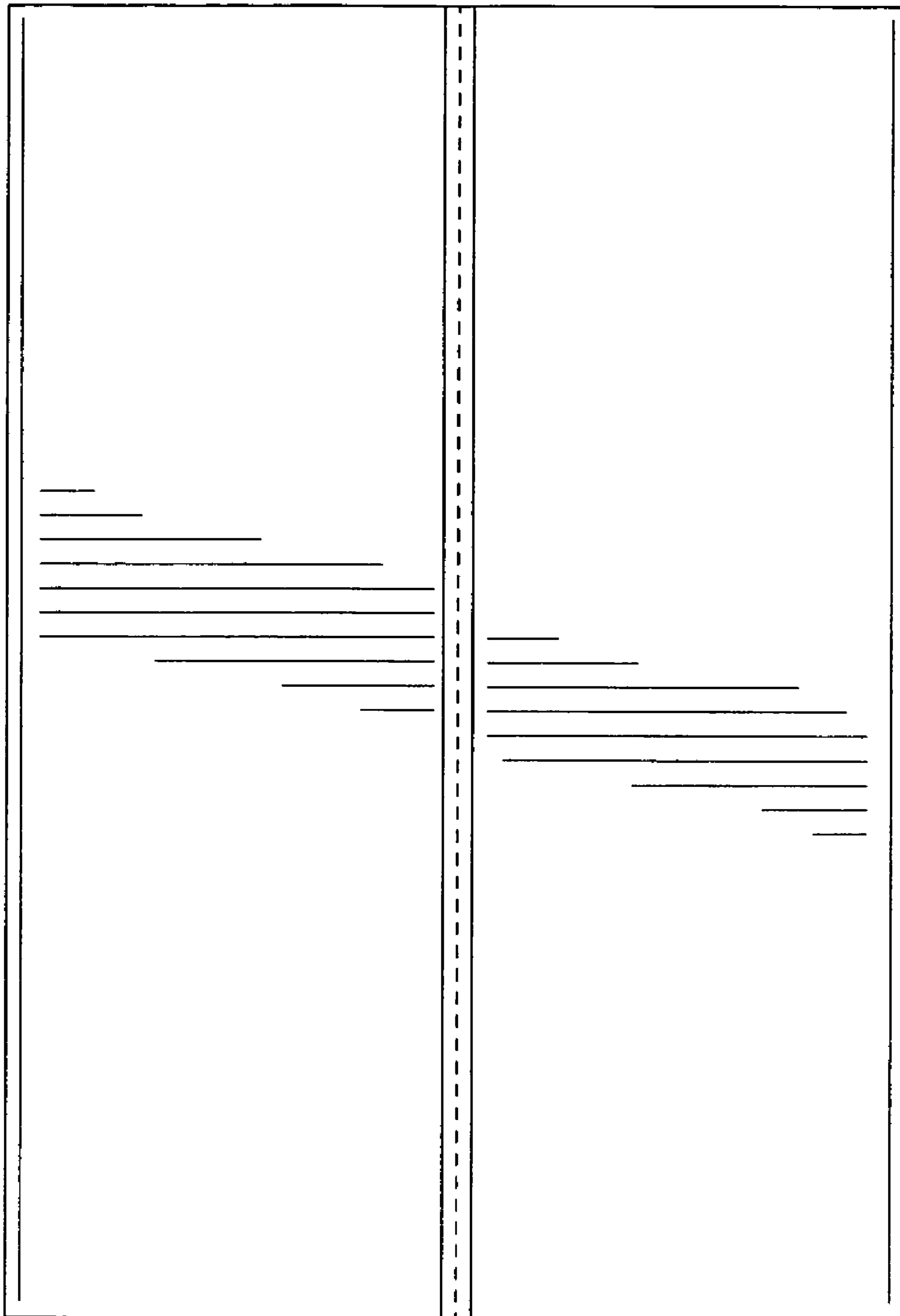


FIG. 2

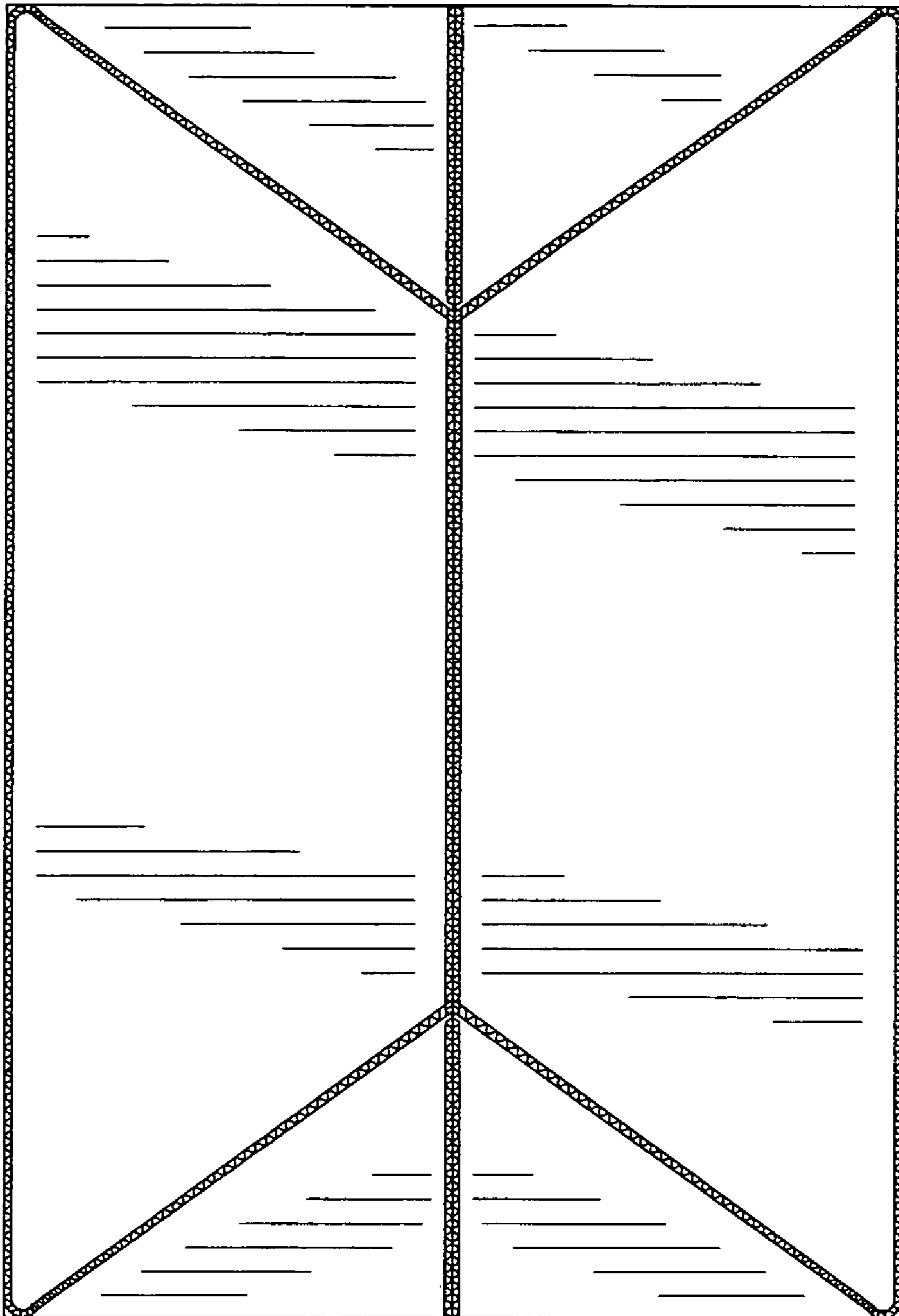


FIG. 3

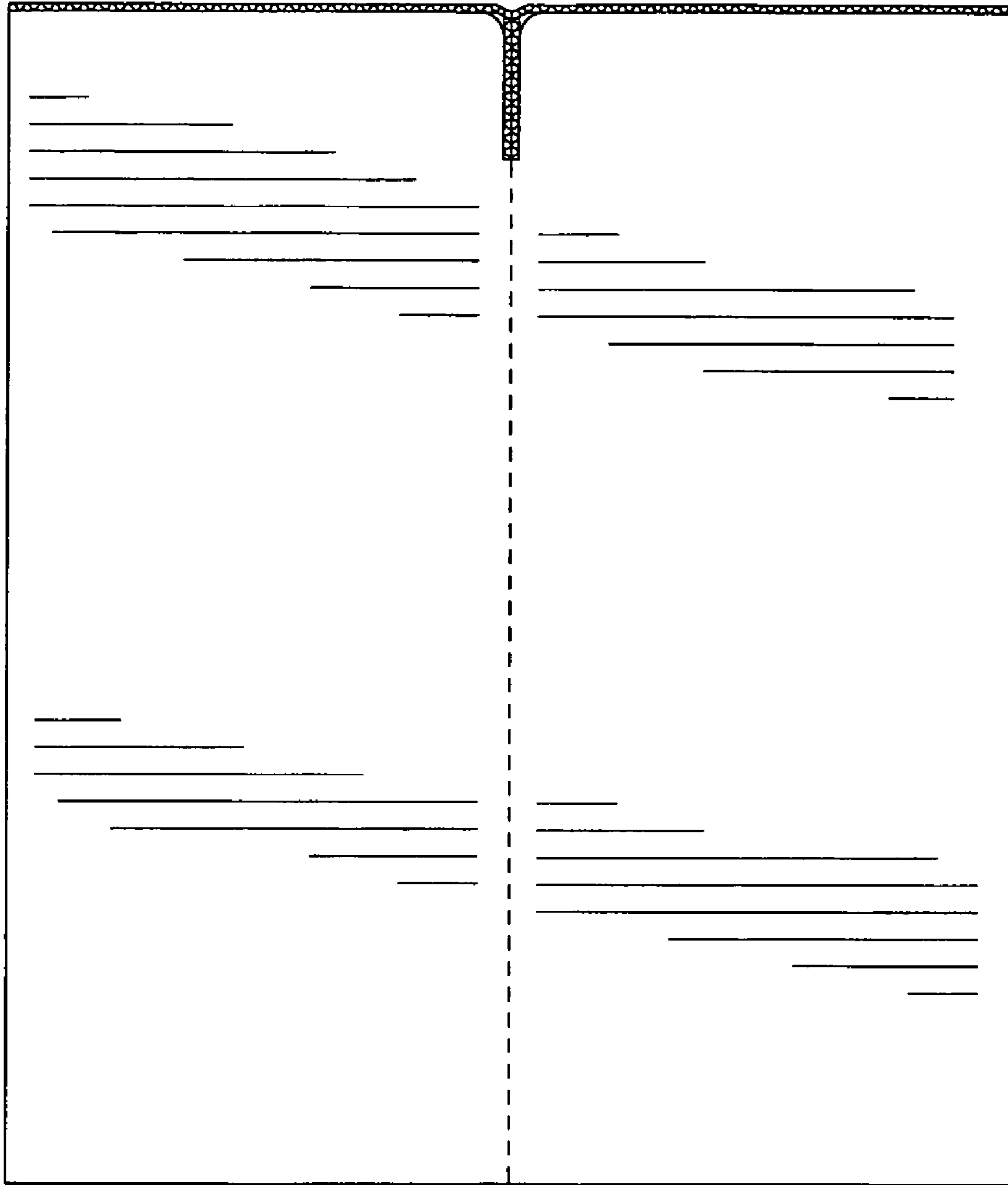


FIG. 4

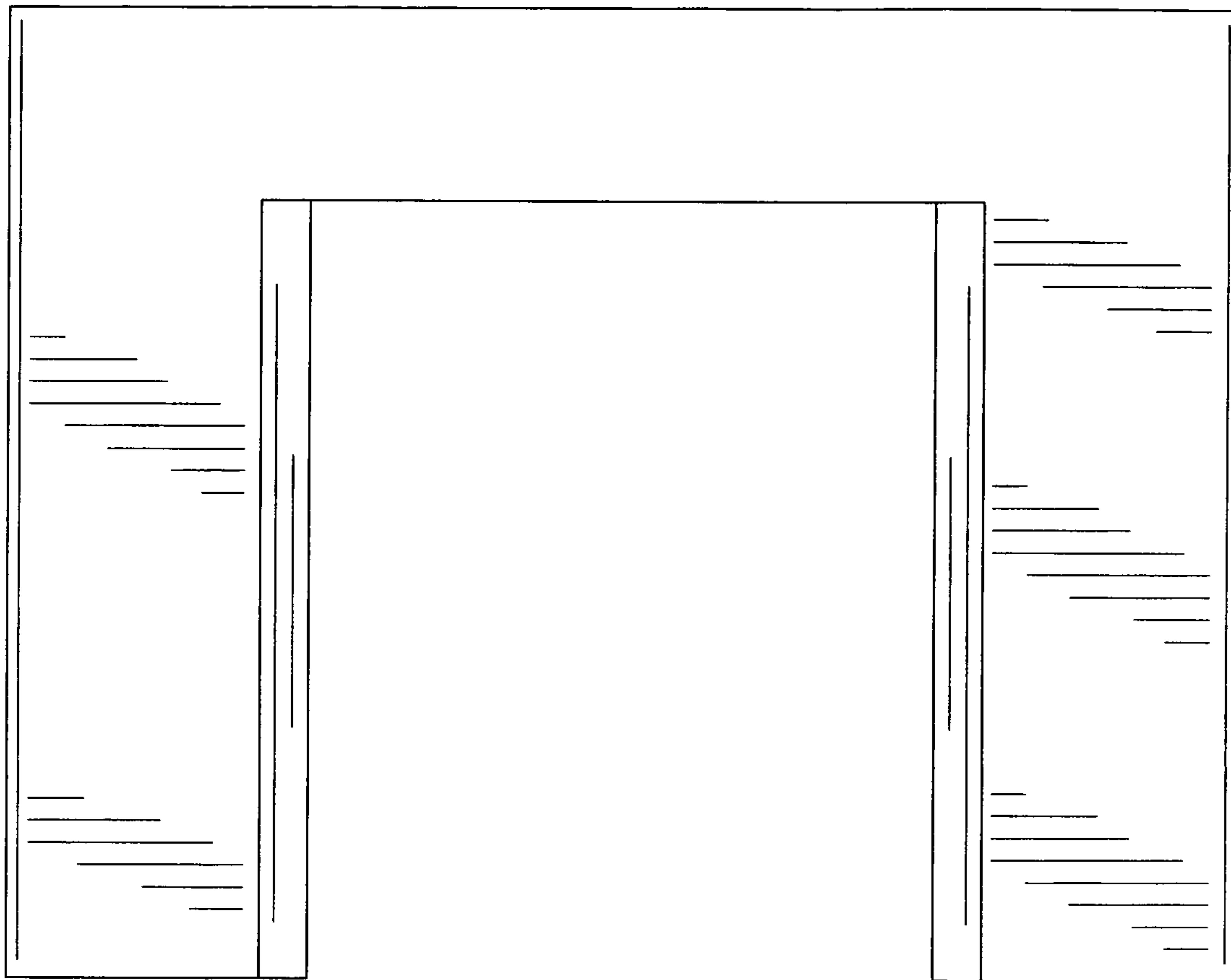


FIG. 5