

US00D548489S

(12) **United States Design Patent**
Cohen

(10) **Patent No.:** **US D548,489 S**

(45) **Date of Patent:** **** Aug. 14, 2007**

(54) **OVAL SHAPED COOLER**

(76) **Inventor:** **Warren Cohen**, 10981 Decatur Rd.,
Philadelphia, PA (US) 19154

(**) **Term:** **14 Years**

(21) **Appl. No.:** **29/266,305**

(22) **Filed:** **Sep. 19, 2006**

(51) **LOC (8) Cl.** **06-04**

(52) **U.S. Cl.** **D6/470**

(58) **Field of Classification Search** D15/83-85,
D15/87, 79-91; D6/436, 470, 471; 62/246,
62/252, 449, 440, 441, 448, 457.9; 312/114,
312/204, 116; D7/605; D3/272

See application file for complete search history.

(56) **References Cited**

U.S. PATENT DOCUMENTS

D322,738 S *	12/1991	Onweiler	D7/605
D368,271 S *	3/1996	Montgomery	D15/85
D379,466 S *	5/1997	Peterson, Jr.	D15/84
D401,479 S *	11/1998	Norman et al.	D7/605
D413,459 S *	9/1999	Evdokimoff	D6/472

D439,913 S *	4/2001	Jobst	D15/84
D449,845 S *	10/2001	Reese et al.	D15/83
D460,259 S *	7/2002	Oelfke	D3/284
D525,084 S *	7/2006	Willis	D7/605

* cited by examiner

Primary Examiner—Cathron C. Brooks

Assistant Examiner—Kelley A. Donnelly

(74) *Attorney, Agent, or Firm*—LaMorte & Associates

(57) **CLAIM**

The ornamental design for an oval shaped cooler, as shown and described.

DESCRIPTION

FIG. 1 is a perspective view of an oval shaped cooler;

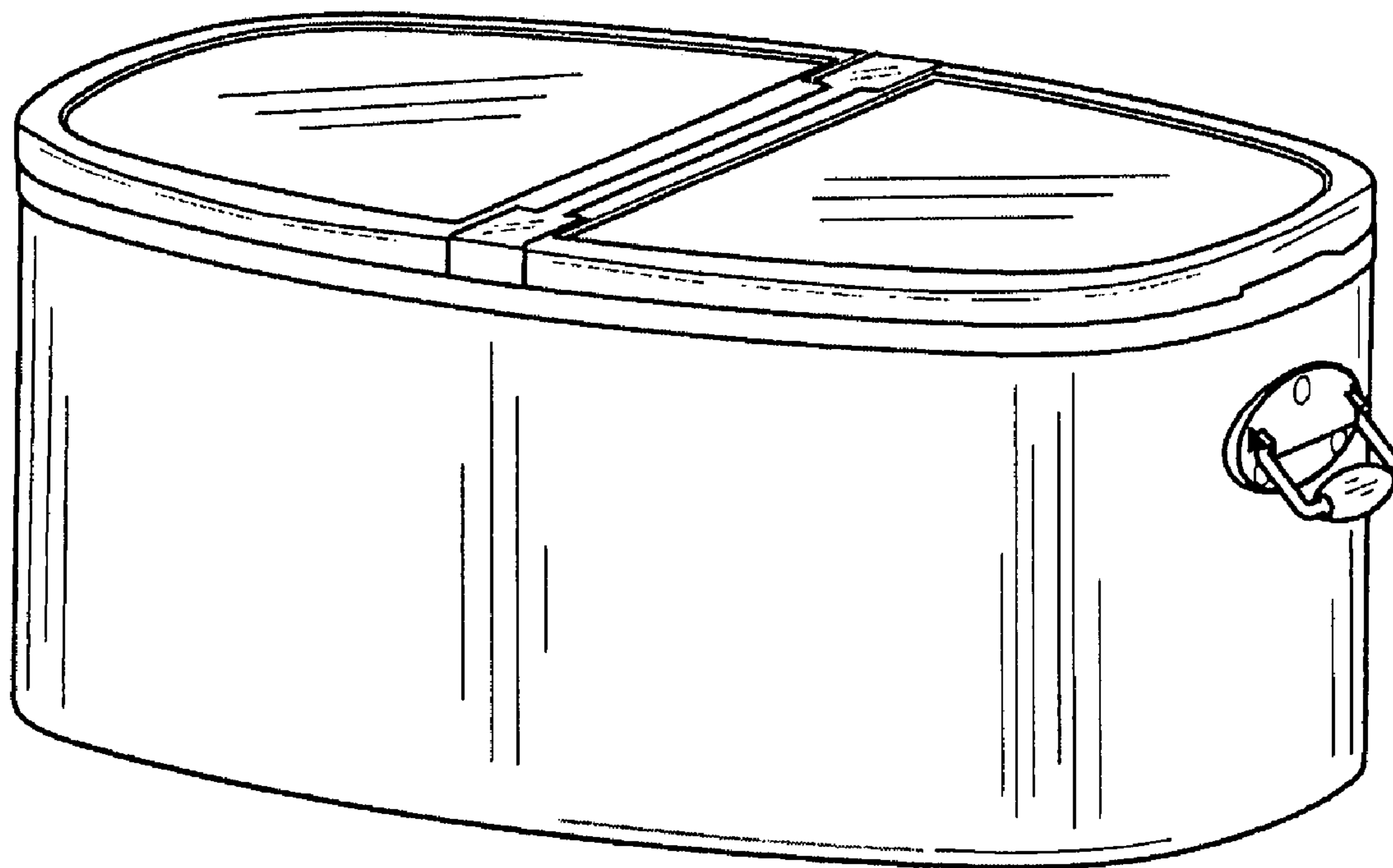
FIG. 2 is a top view thereof;

FIG. 3 is a bottom view thereof;

FIG. 4 is a front view thereof, the rear view being the same; and,

FIG. 5 is a right side view thereof, the left side view being the same.

1 Claim, 5 Drawing Sheets



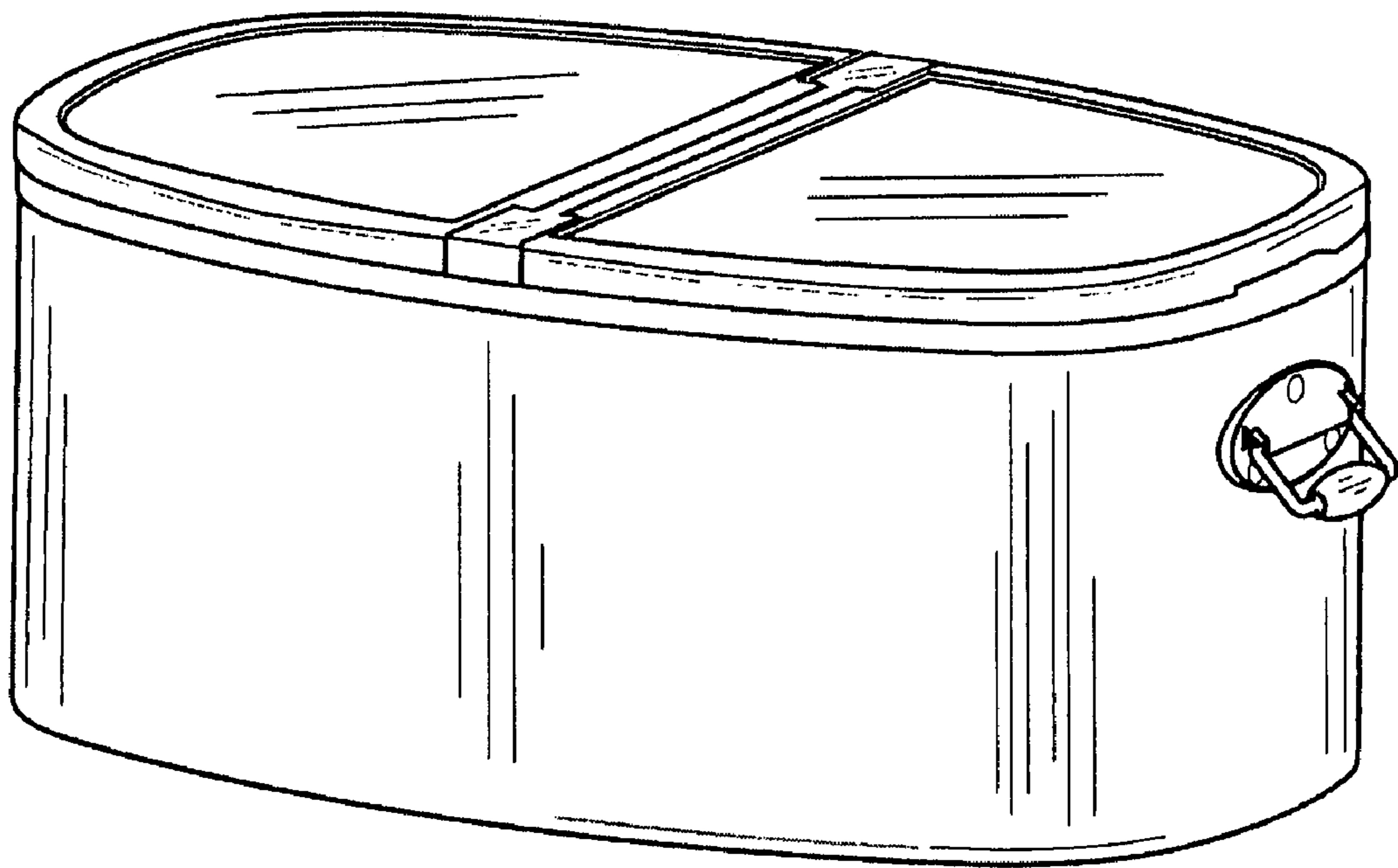


FIG. 1

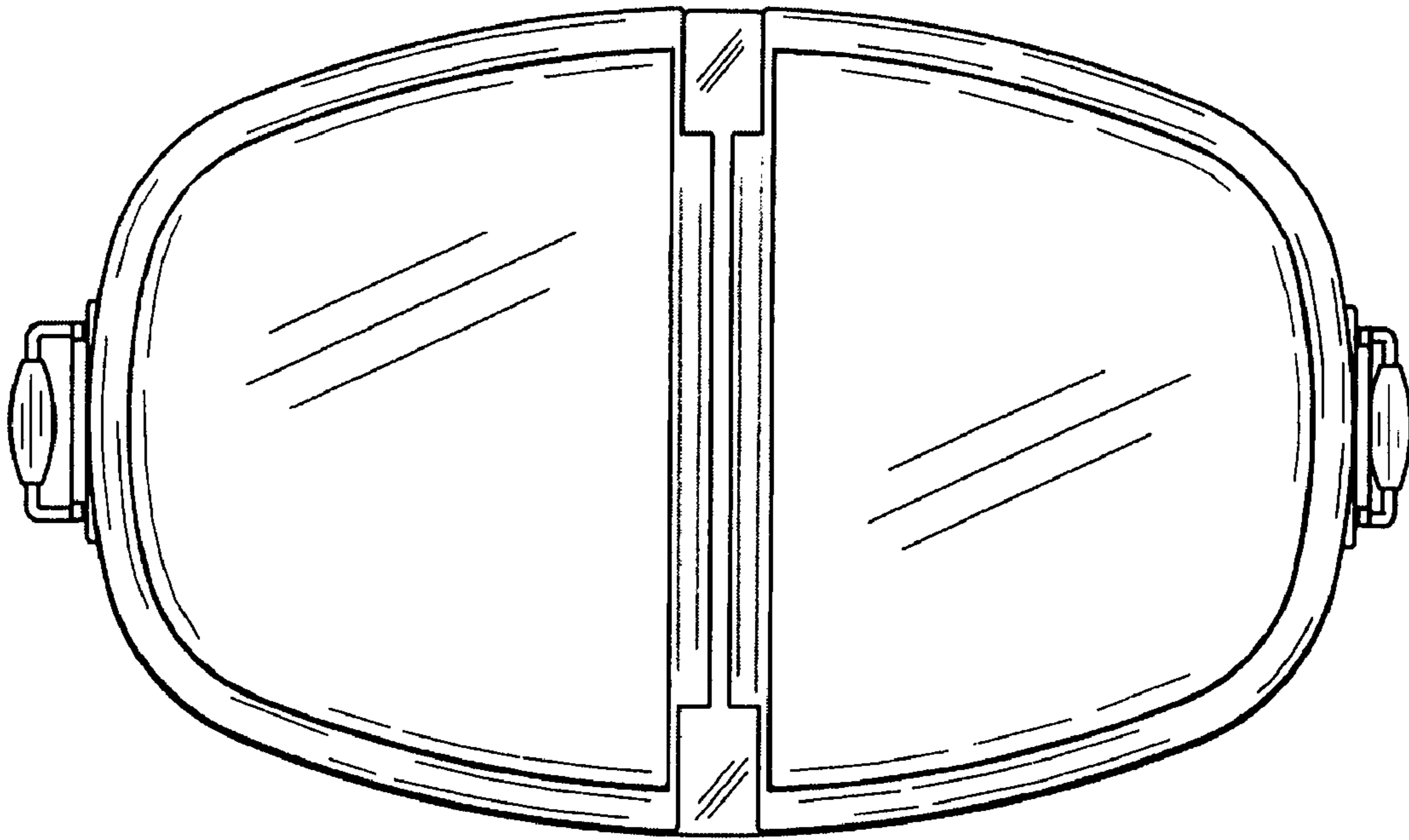


FIG. 2

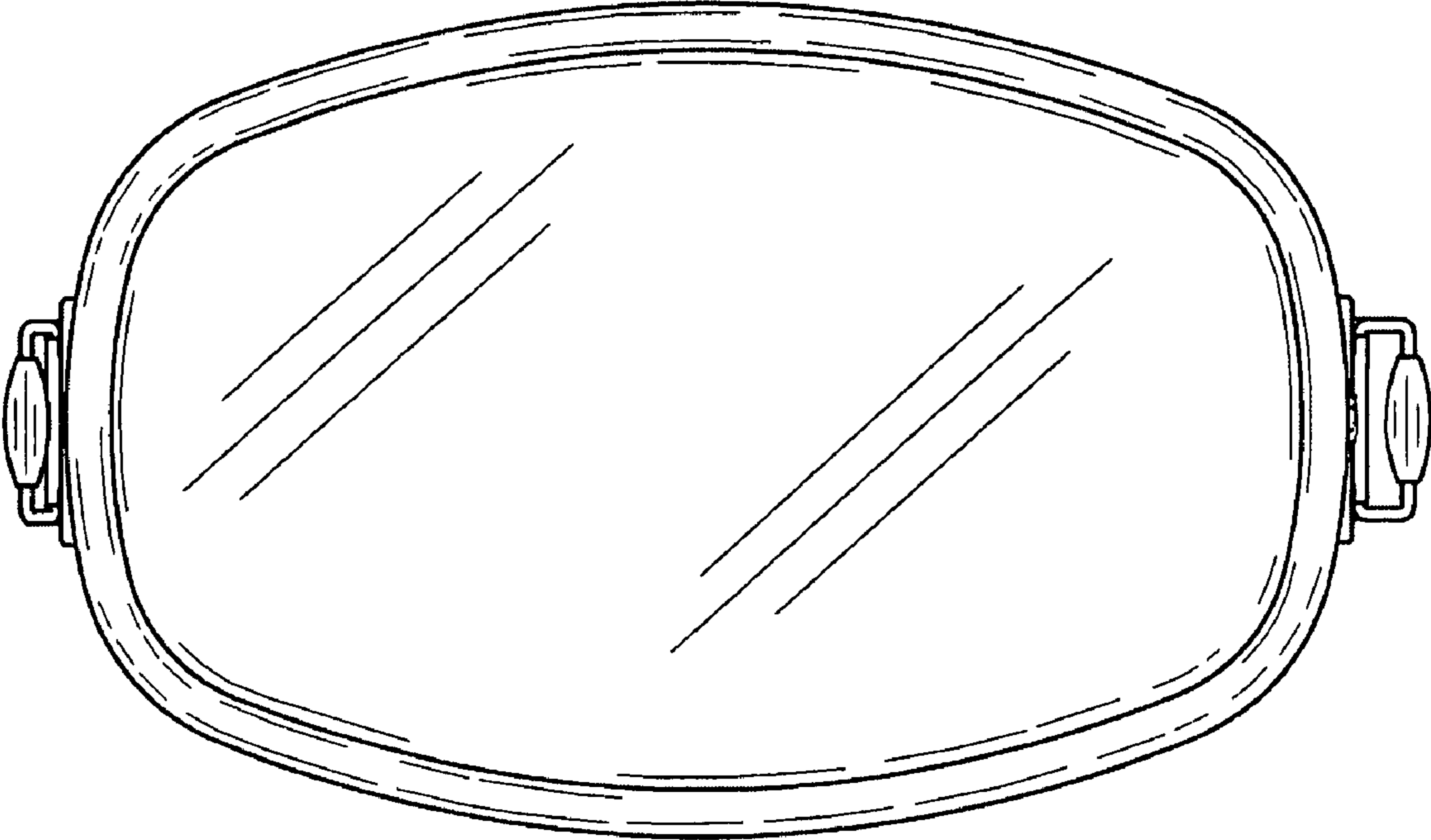


FIG. 3

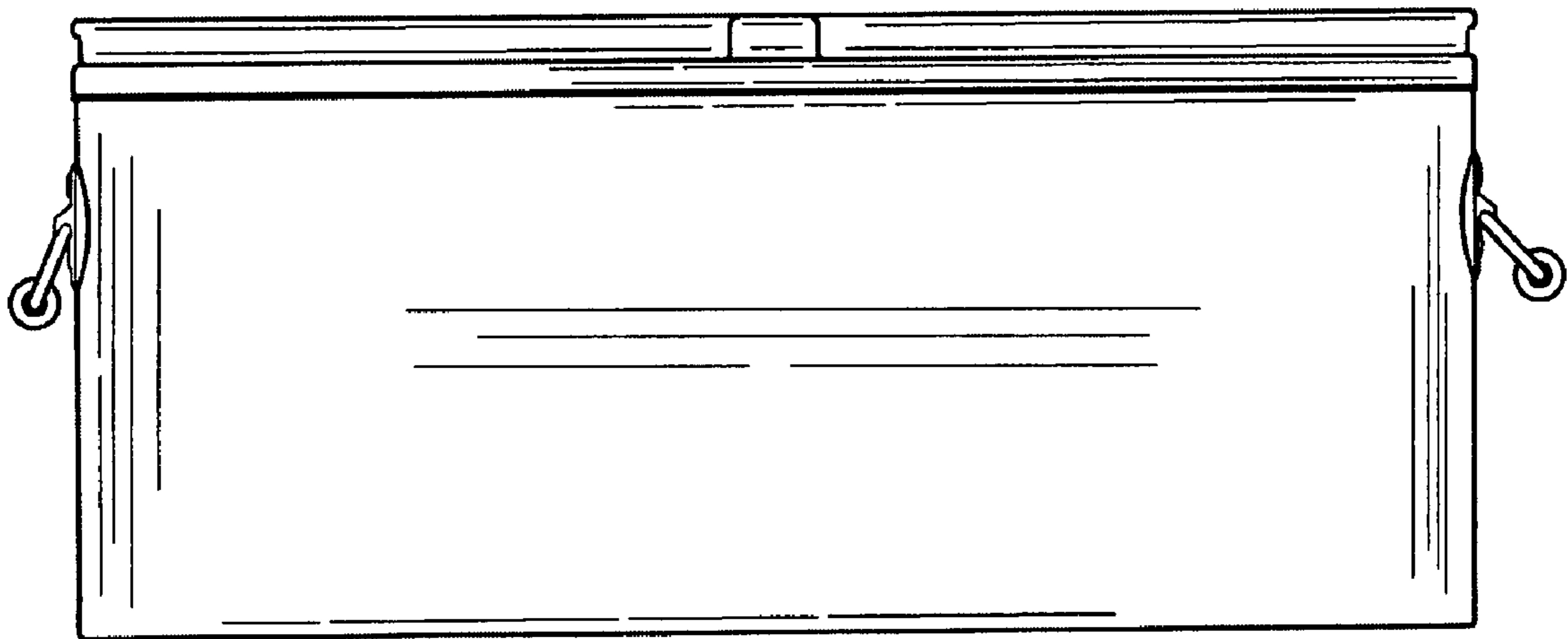


FIG. 4

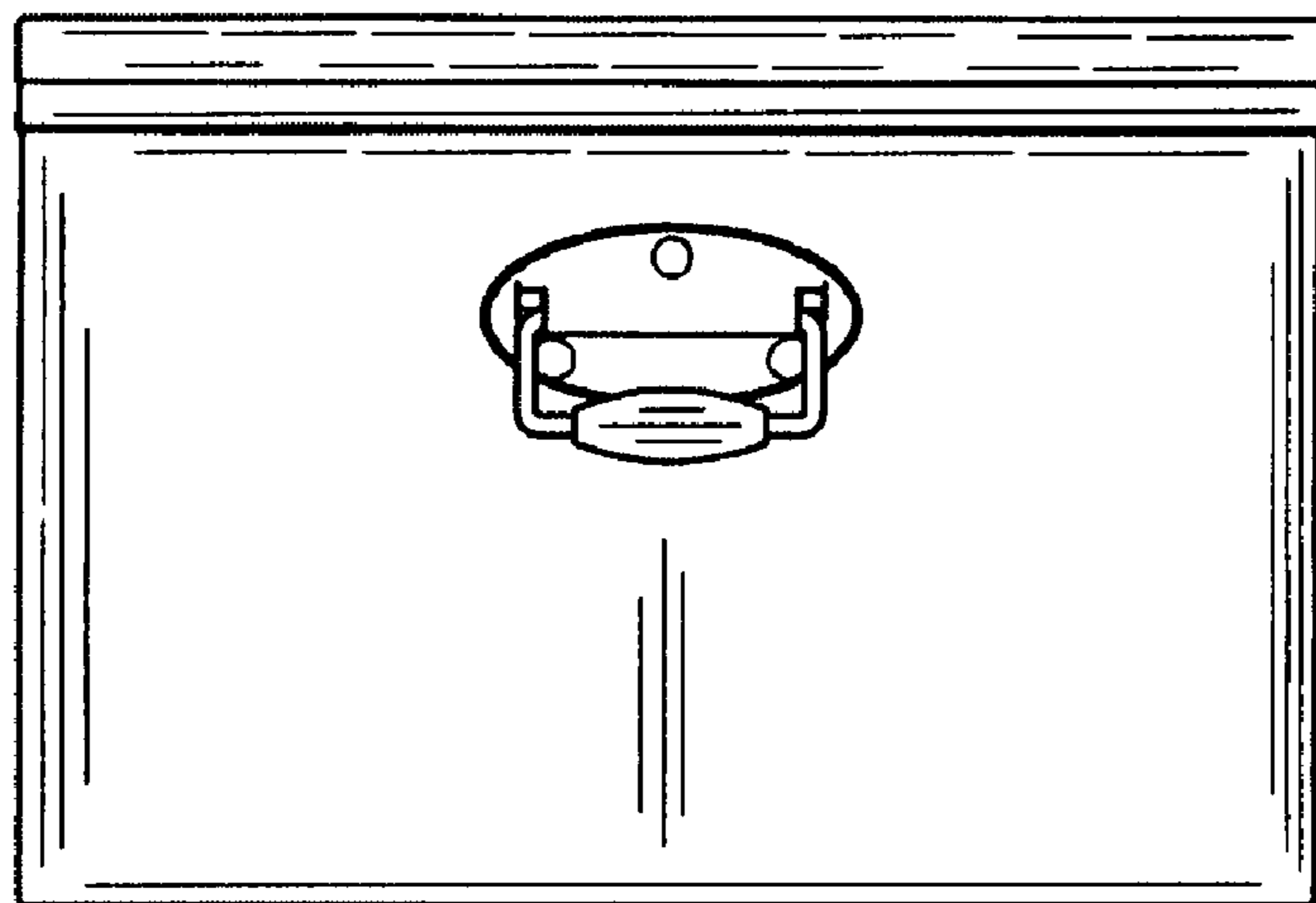


FIG. 5