



US00D548488S

(12) **United States Design Patent**  
**Weatherly**

(10) **Patent No.:** **US D548,488 S**

(45) **Date of Patent:** **\*\* Aug. 14, 2007**

(54) **CABINET FOR AUDIO/VIDEO COMPONENTS**

*Primary Examiner*—Cathron C. Brooks  
*Assistant Examiner*—Kelley A. Donnelly  
(74) *Attorney, Agent, or Firm*—Design IP

(75) Inventor: **Matthew Weatherly**, Fairfax, VA (US)

(73) Assignee: **Becker Designed, Inc.**, Chantilly, VA (US)

(57) **CLAIM**

The ornamental design for a cabinet for audio/video components, as shown and described.

(\*\*) Term: **14 Years**

(21) Appl. No.: **29/249,948**

(22) Filed: **Oct. 27, 2006**

**DESCRIPTION**

(51) **LOC (8) Cl.** ..... **06-04**

(52) **U.S. Cl.** ..... **D6/470; D6/446**

(58) **Field of Classification Search** ..... D6/436–437,  
D6/444, 477–479, 470, 446, 432, 441, 445–448;  
312/114, 204, 224, 278–279, 7.2  
See application file for complete search history.

FIG. 1 is a perspective view of a first embodiment of an ornamental design for a cabinet for audio/video components showing my new design;

FIG. 2 is a front orthographic view thereof;

FIG. 3 is a top orthographic view thereof; and,

FIG. 4 is a left side orthographic view thereof, the right side view being a mirror image.

(56) **References Cited**

**U.S. PATENT DOCUMENTS**

D244,900 S *	7/1977	Waxman	.....	D6/436
D507,428 S *	7/2005	Weatherly	.....	D6/437
D534,379 S *	1/2007	Juneau	.....	D6/484

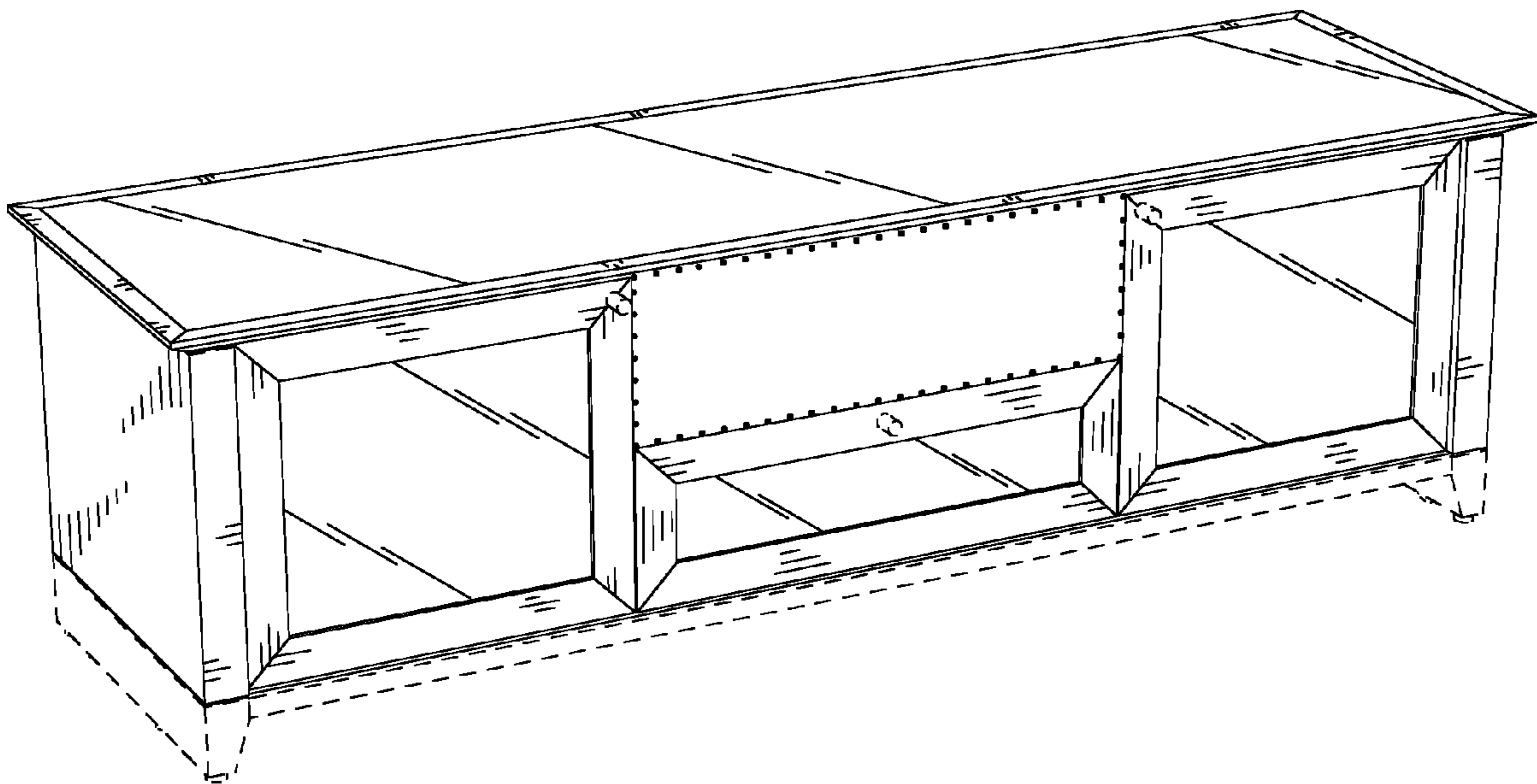
The broken lines shown in FIGS. 1–4 are included for the purpose of illustrating environmental elements only and form no part of the claimed design. The dotted lines shown in FIGS. 1–2 represent an unclaimed border between claimed and unclaimed subject matter and form no part of the claimed design. The rear and bottom views are omitted and form no part of the claimed design.

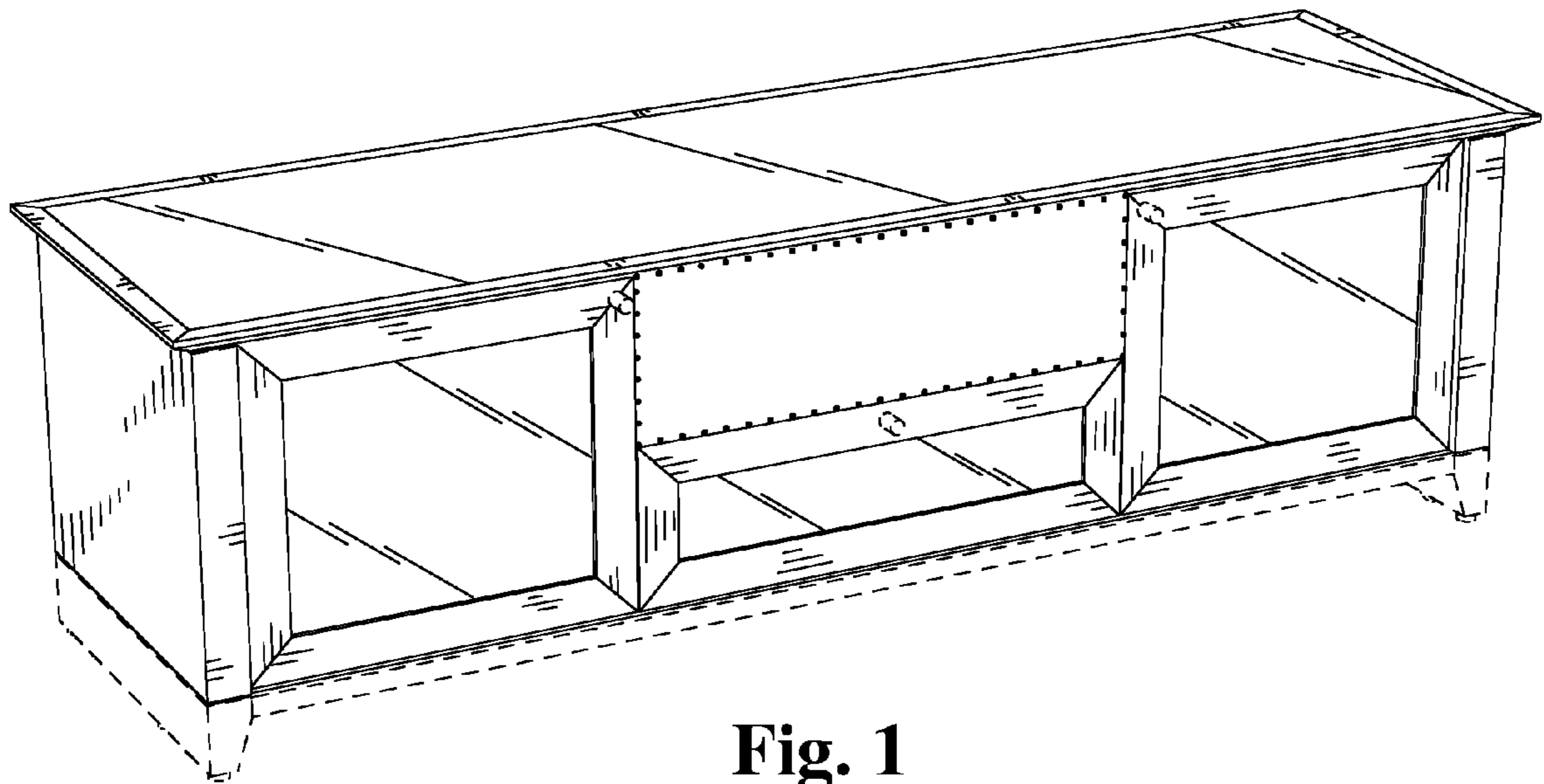
**OTHER PUBLICATIONS**

Ethan Allen, 2004, p. 12, Media Cabinet (28-9841).\*  
Ethan Allen, Spring 2005, p. 23.\*

\* cited by examiner

**1 Claim, 4 Drawing Sheets**





**Fig. 1**

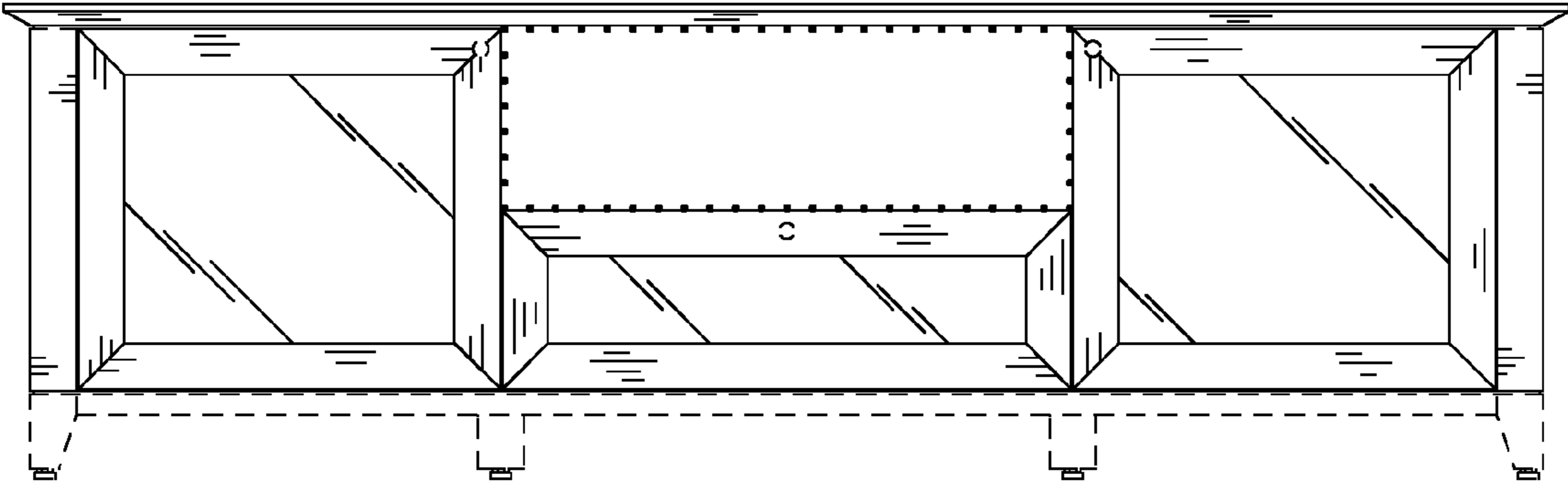
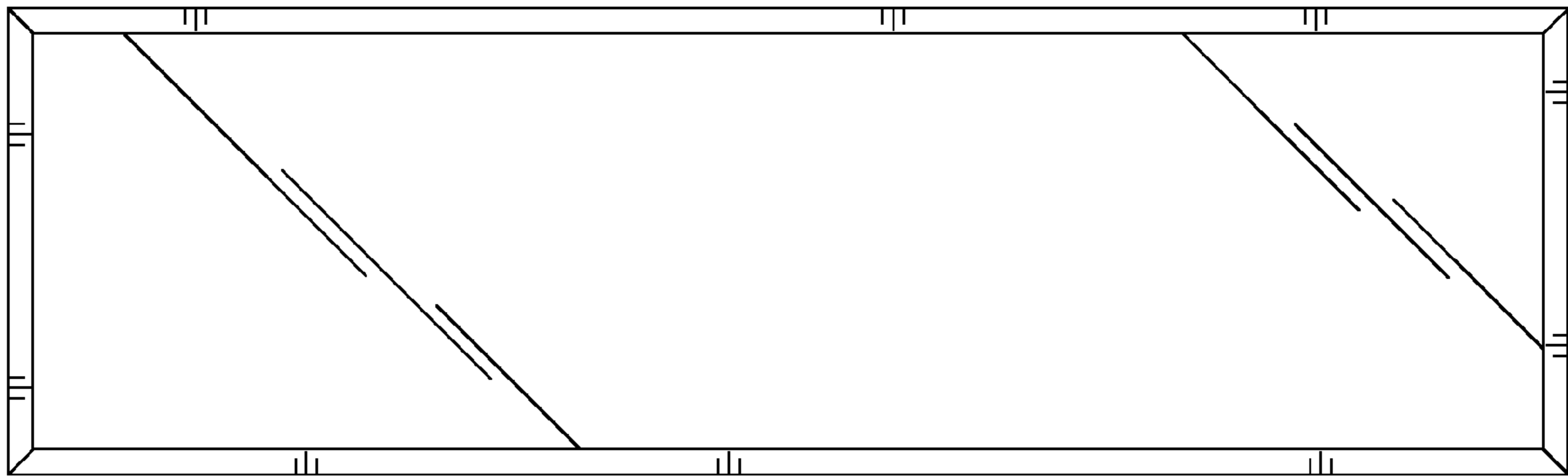
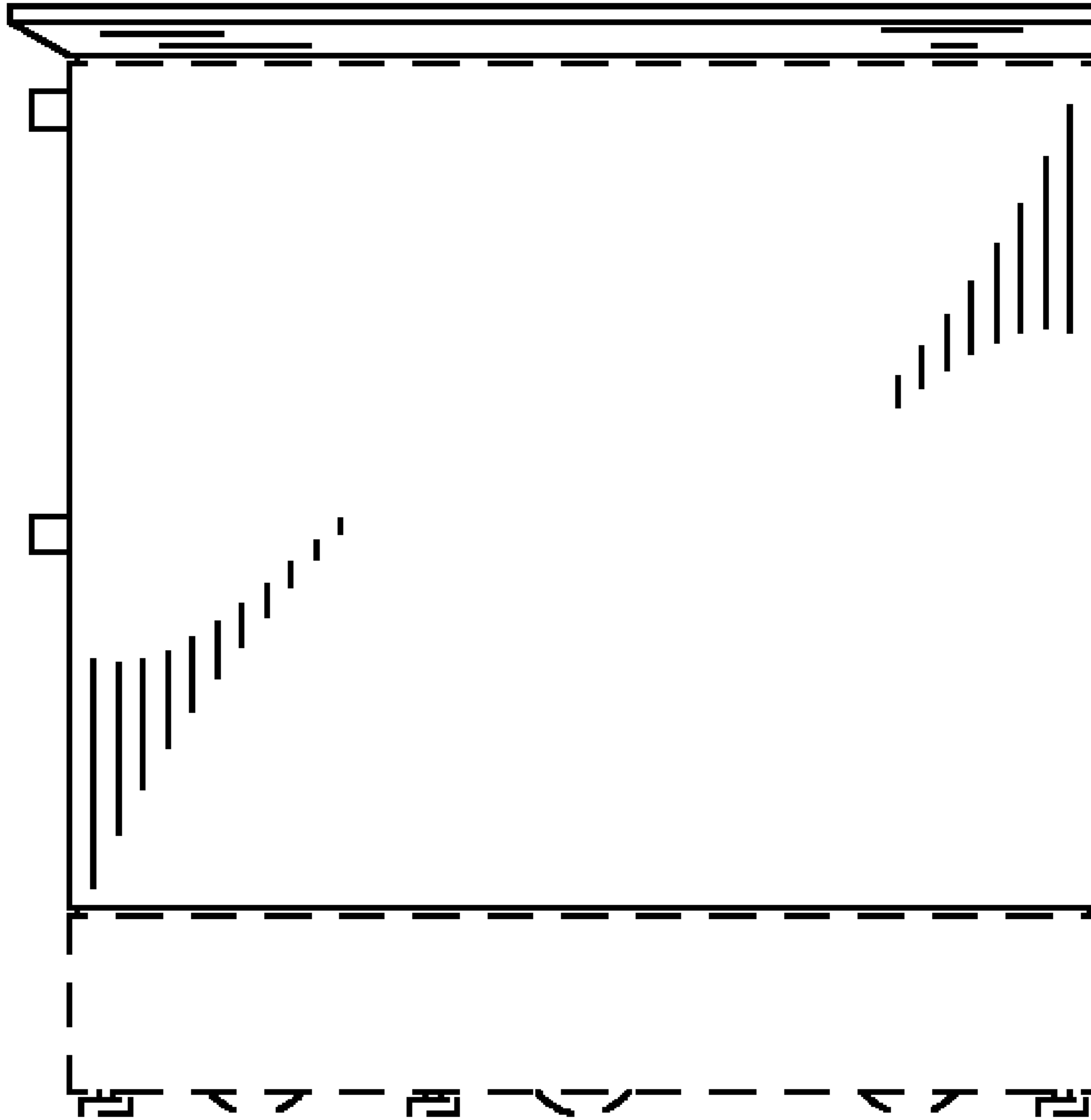


Fig. 2



**Fig. 3**



**Fig. 4**