

US00D548486S

(12) **United States Design Patent**
Niitsu

(10) **Patent No.:** **US D548,486 S**

(45) **Date of Patent:** **** Aug. 14, 2007**

(54) **STAND FOR TELEVISION RECEIVER**

(75) Inventor: **Takuya Niitsu**, Tokyo (JP)

(73) Assignee: **Sony Corporation**, Tokyo (JP)

(**) Term: **14 Years**

(21) Appl. No.: **29/221,109**

(22) Filed: **Jan. 12, 2005**

(51) **LOC (8) Cl.** **06-04**

(52) **U.S. Cl.** **D6/466; D6/478; D6/477;**
D6/479

(58) **Field of Classification Search** D6/460,
D6/461, 468, 466, 474, 407, 511, 477-479;
108/59, 91, 92, 96; 211/40, 41.12, 42, 49.1,
211/50, 85.2, 187, 190, 90.04, 119.003, 134.153,
211/87.01, 71.01; 206/307, 308.1; 312/9.1,
312/9.2, 9.46, 9.64, 9.8, 7.2
See application file for complete search history.

(56) **References Cited**

U.S. PATENT DOCUMENTS

D298,707 S	*	11/1988	Knight	D6/466
D375,004 S	*	10/1996	Josefsson	D6/477
D474,627 S	*	5/2003	Wicha	D6/477
D477,159 S		7/2003	Niitsu		
D497,061 S	*	10/2004	Decarolis	D6/479
D516,839 S	*	3/2006	Wicha	D6/477
D517,352 S	*	3/2006	Wicha	D6/479
D529,314 S	*	10/2006	Tako	D6/477
D529,316 S	*	10/2006	Fujiki	D6/478
D534,379 S	*	1/2007	Juneau	D6/484

OTHER PUBLICATIONS

Web page "SU-32TS2 KE-32TS2" <http://www.yodobashi.com/enjoy/more/i/5183252.html>, 1 sheet, Yodobashi Camera (Jan. 2005).

Web page "TY-S32LX300 TH-32LX300/30" <http://www.yodobashi.com/enjoy/more/i/22382697.html>, 1 sheet, Yodobashi Camera (Jan. 2005).

* cited by examiner

Primary Examiner—Janice E. Seeger

Assistant Examiner—Sydney R. Buffalow

(74) *Attorney, Agent, or Firm*—Rader, Fishman & Grauer PLLC

(57) **CLAIM**

The ornamental design for a stand for television receiver, as shown and described.

DESCRIPTION

FIG. 1 is a perspective view of a stand for television receiver showing my new design;

FIG. 2 is a front elevational view thereof;

FIG. 3 is a rear elevational view thereof;

FIG. 4 is a left side elevational view thereof;

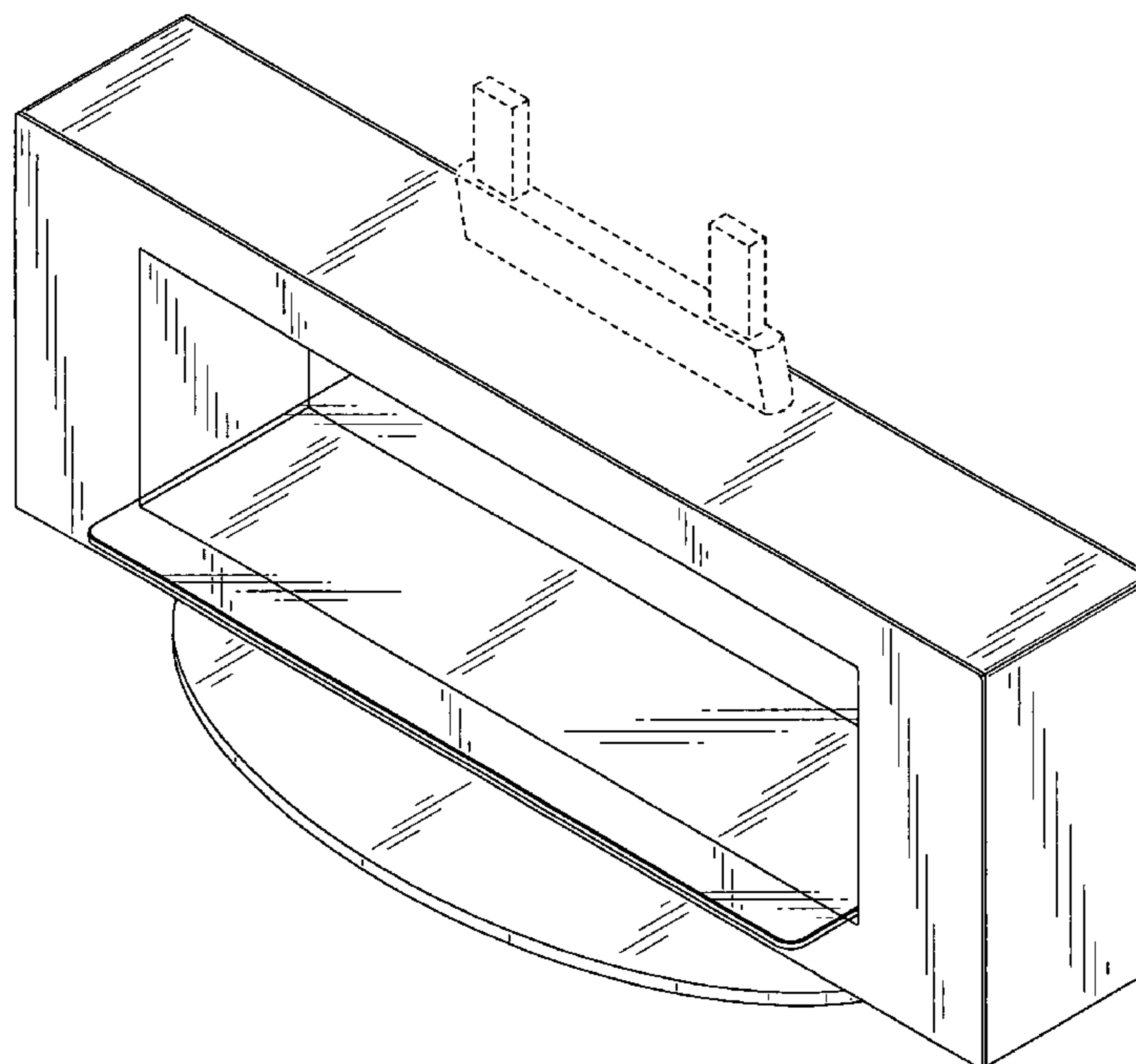
FIG. 5 is a right side elevational view thereof;

FIG. 6 is a top plan view thereof; and,

FIG. 7 is a bottom plan view thereof.

Portions of FIGS. 1-7 that are shown as broken lines are for illustrative purpose only and form no part of the claimed design.

1 Claim, 6 Drawing Sheets



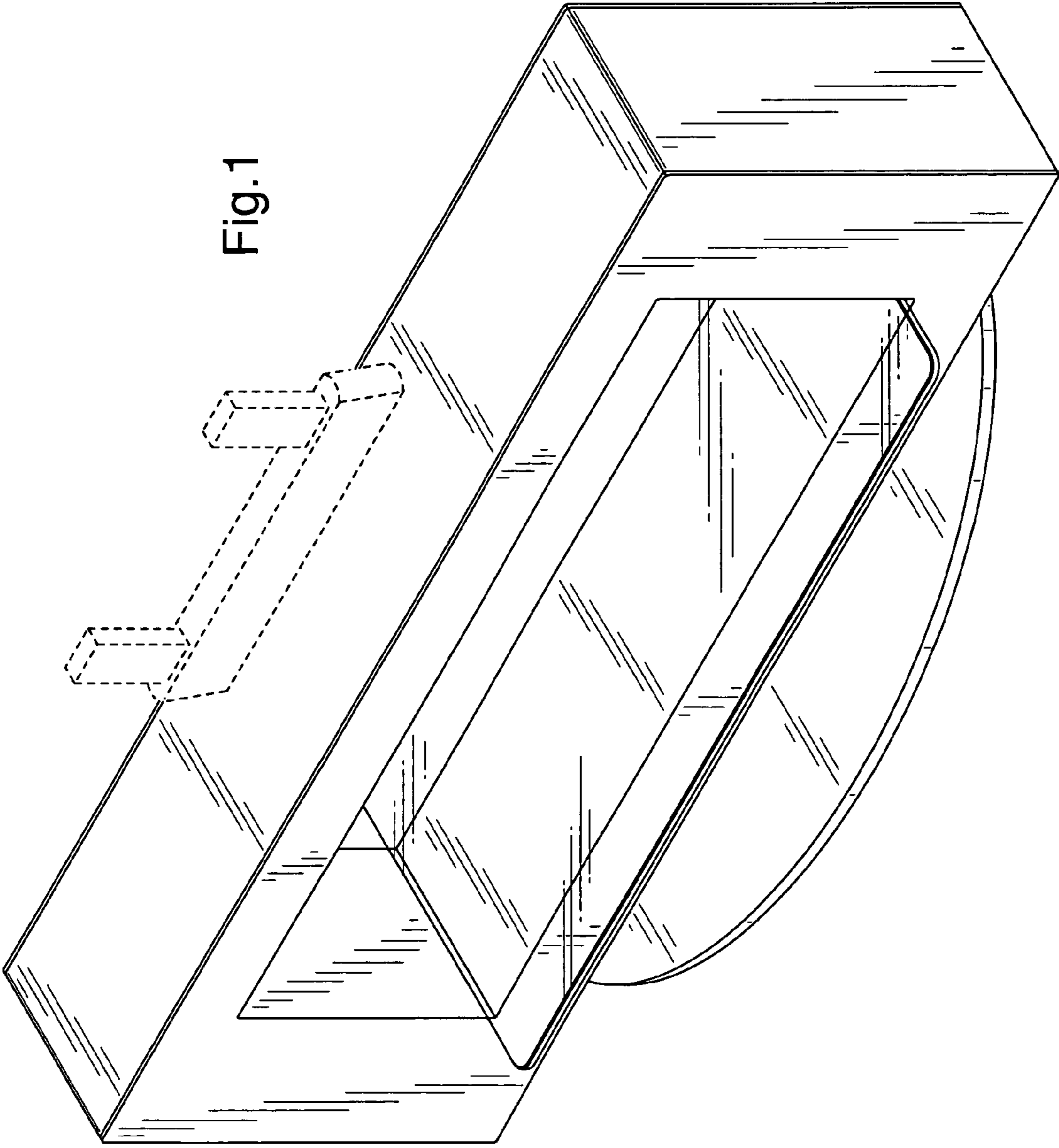
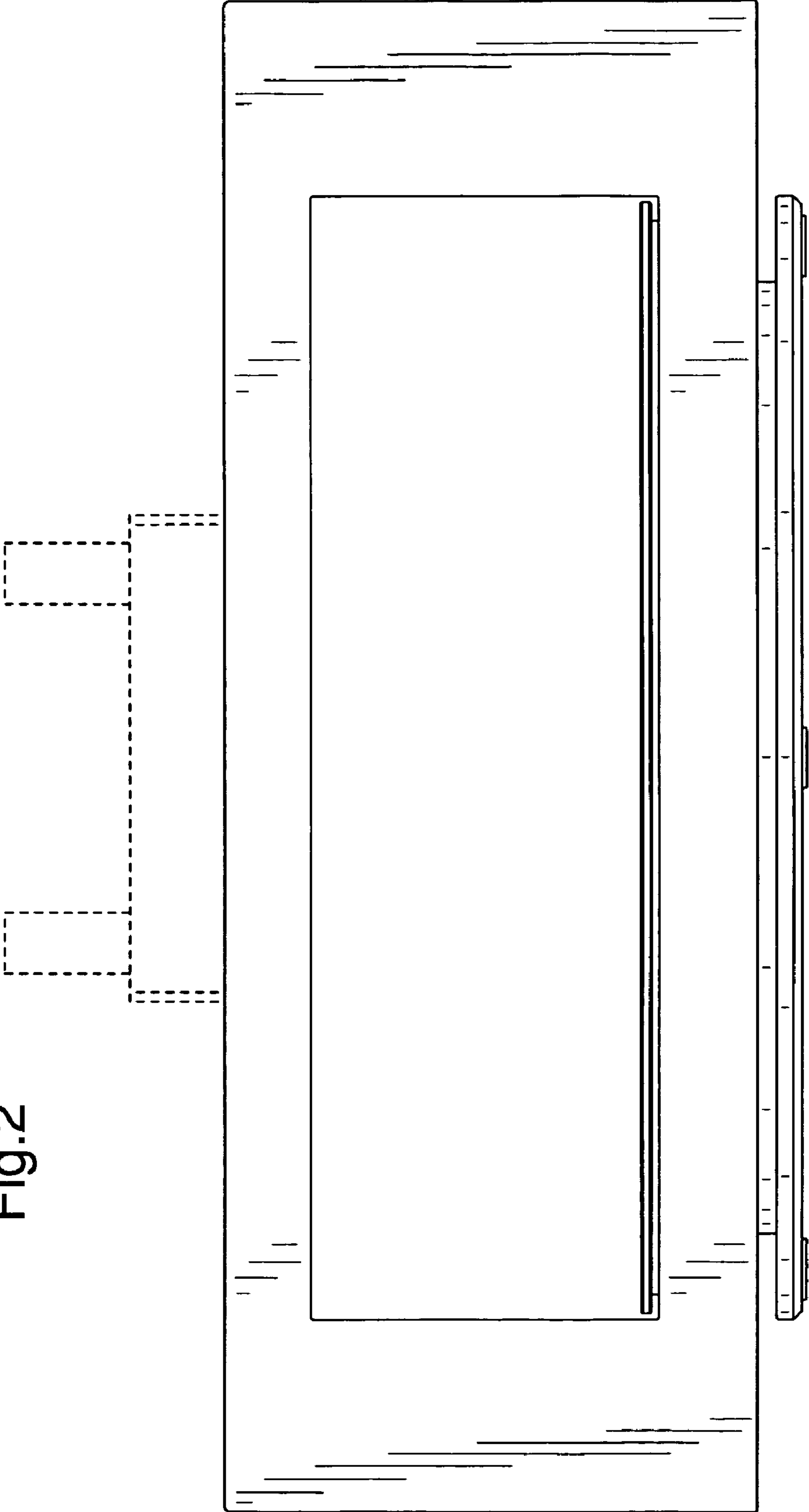


Fig.2



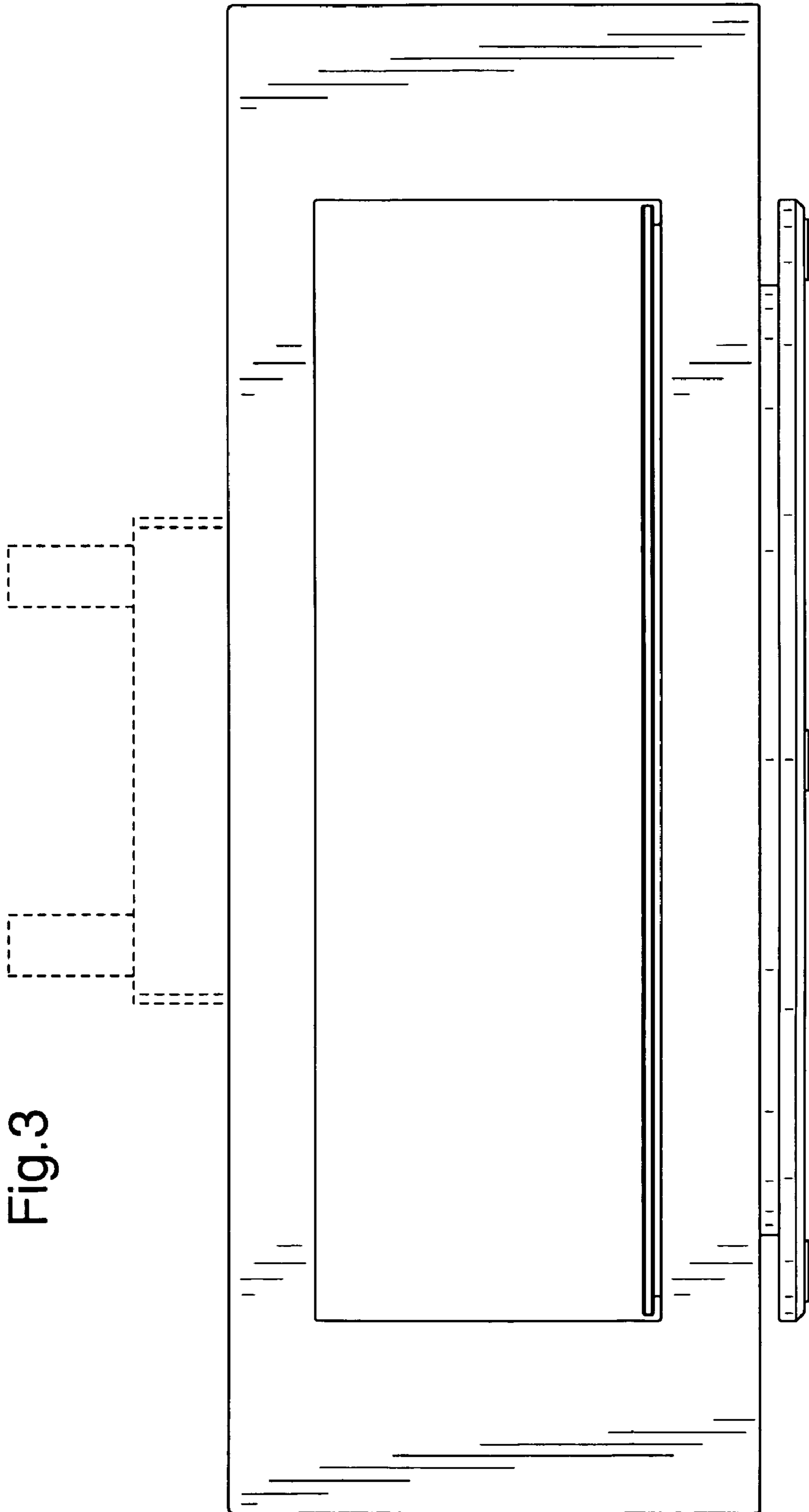


Fig.4

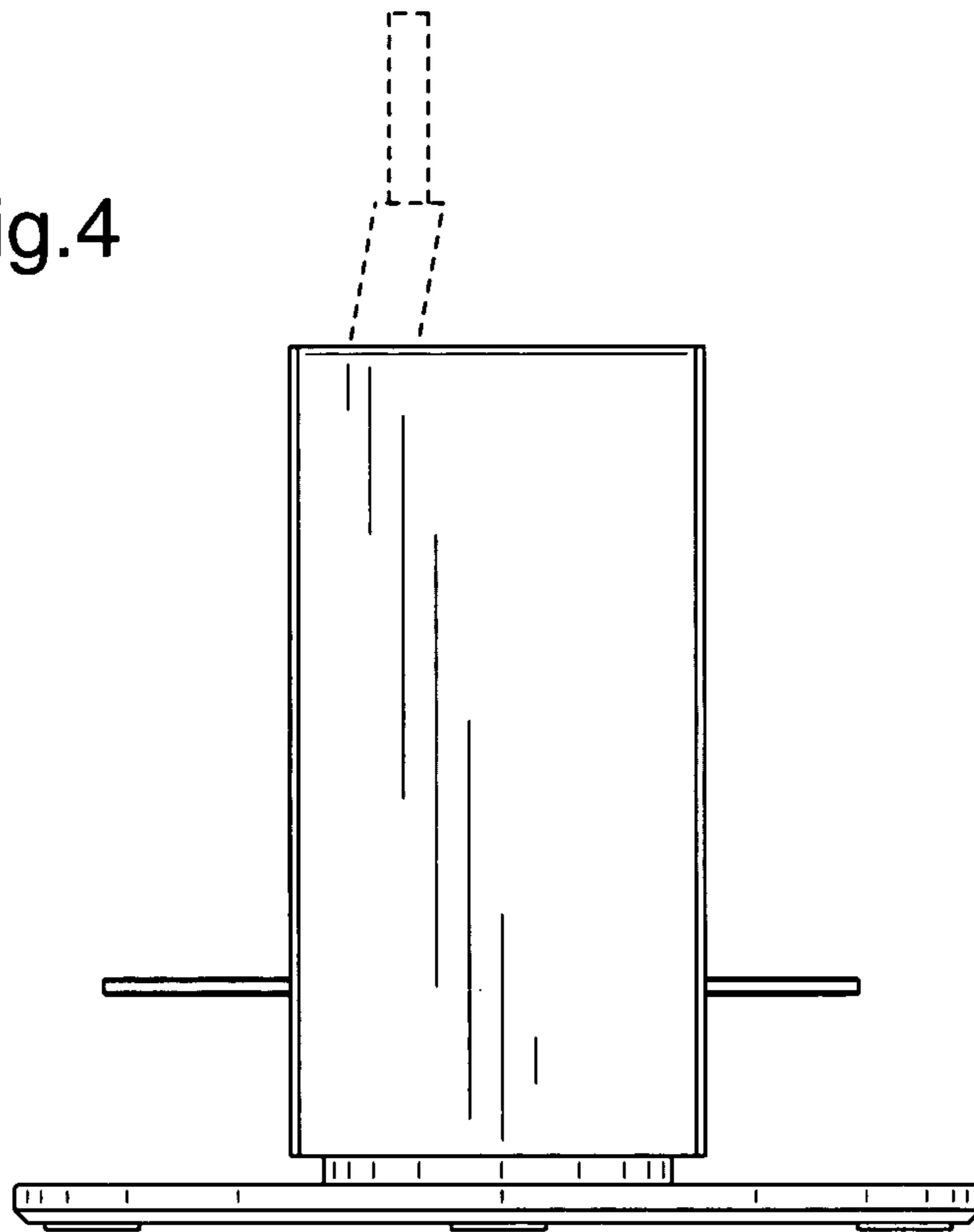


Fig.5

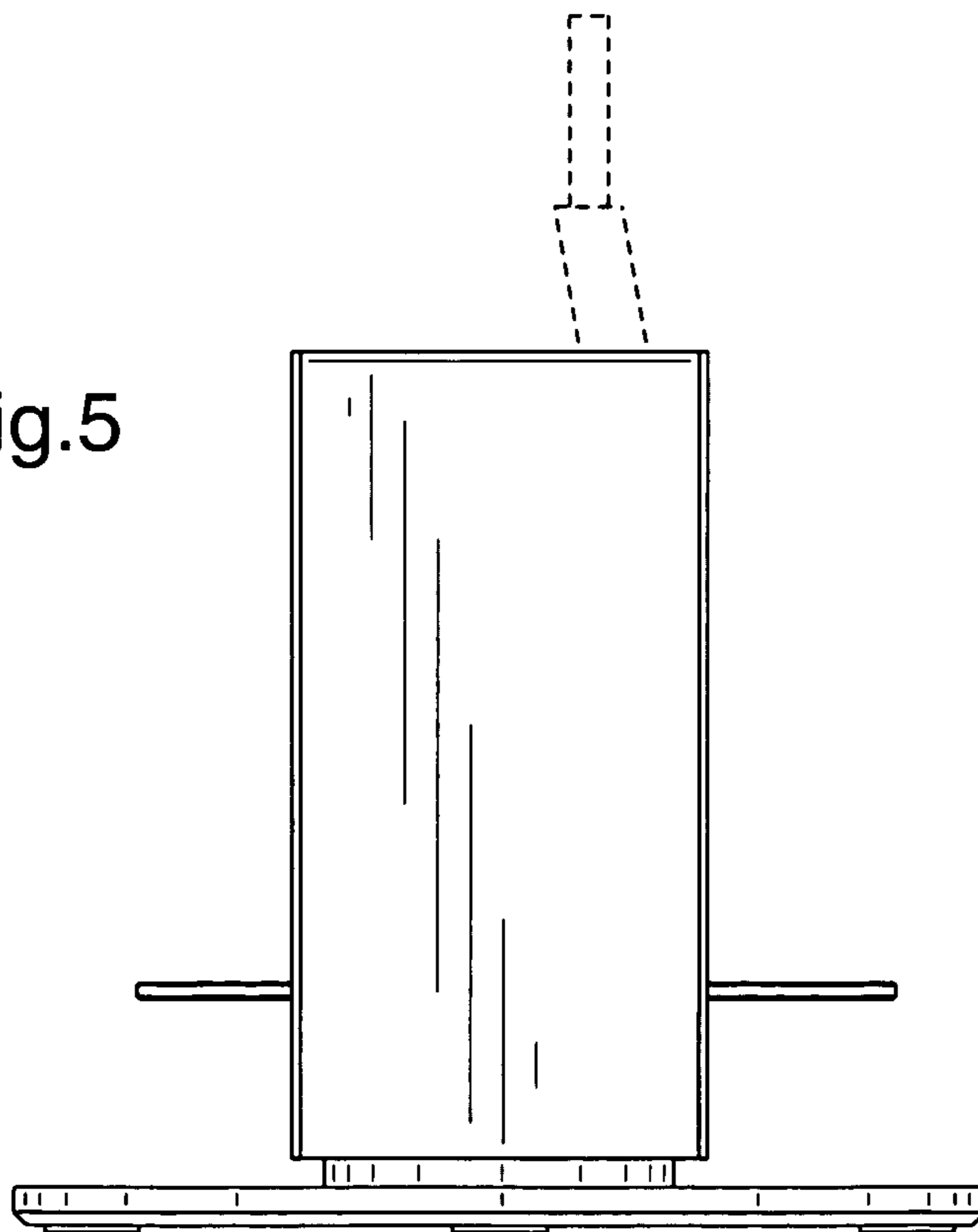


Fig.6

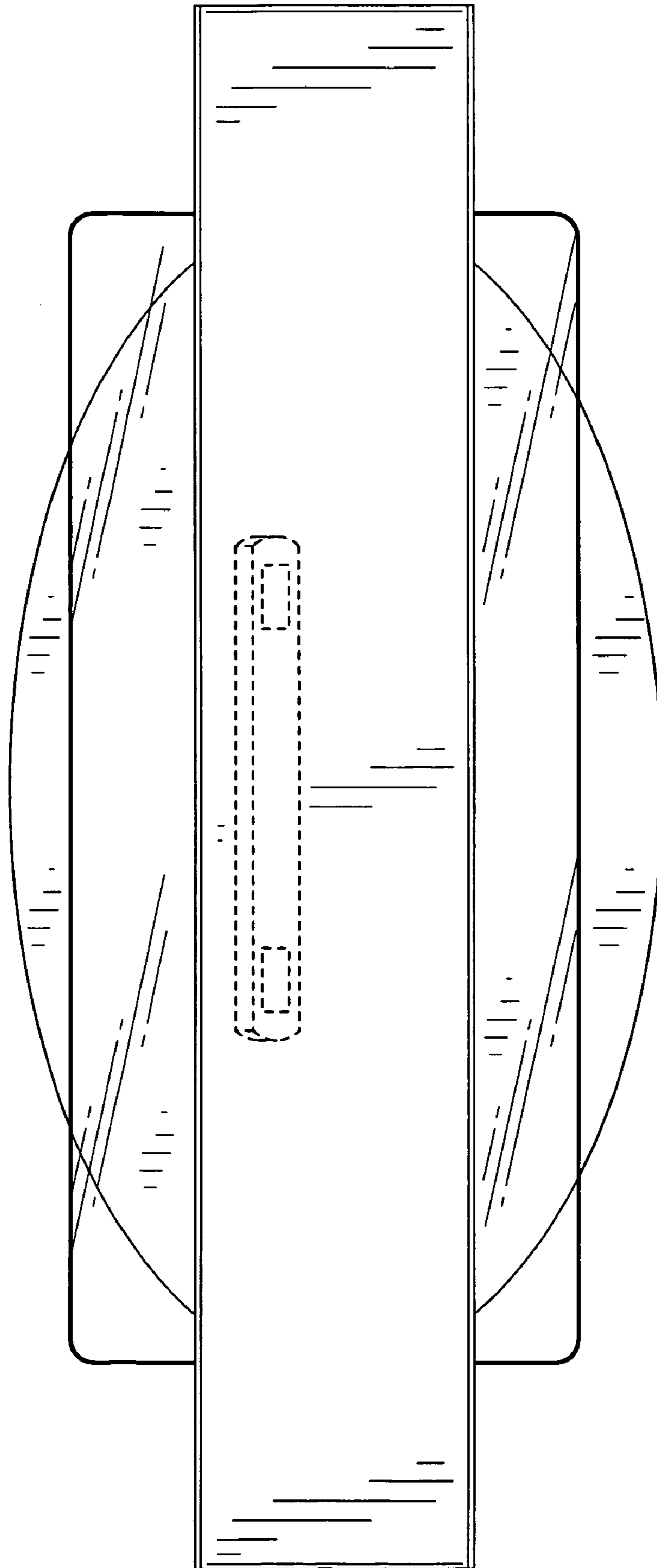


Fig.7

