

US00D548485S

(12) **United States Design Patent**
Barthel

(10) **Patent No.:** **US D548,485 S**

(45) **Date of Patent:** **** Aug. 14, 2007**

(54) **DISPLAY STAND**

(75) Inventor: **Jean-Marc Barthel**, Strasbourg (FR)

(73) Assignee: **Tarifold**, Geispolsheim (FR)

(**) Term: **14 Years**

(21) Appl. No.: **29/210,748**

(22) Filed: **Jul. 30, 2004**

(51) **LOC (8) Cl.** **06-04**

(52) **U.S. Cl.** **D6/454**

(58) **Field of Classification Search** D6/310,
D6/396, 409, 410, 413, 419, 420, 449, 454-456;
211/13.1, 59.2, 69.6, 85.11, 169; D19/26,
D19/27, 32, 33; 248/447, 453, 456; 283/310
See application file for complete search history.

(56) **References Cited**

U.S. PATENT DOCUMENTS

3,106,920	A *	10/1963	Scholfield et al.	248/447
3,391,796	A *	7/1968	Cross	211/169
3,777,896	A *	12/1973	Ehrlich	211/59.2
D249,000	S *	8/1978	Simmons	D6/454
D311,208	S *	10/1990	Folson	D19/27
5,649,683	A *	7/1997	Ahn	248/453

D382,731	S *	8/1997	Martin	D6/469
D383,327	S *	9/1997	Loflin	D6/410
D385,717	S *	11/1997	Howell	D6/419
D462,181	S *	9/2002	Vandenbussche	D6/310
6,547,087	B2 *	4/2003	Accatino	211/169
6,648,374	B2 *	11/2003	Takemura	283/36
2003/0047528	A1 *	3/2003	Stein	211/169

* cited by examiner

Primary Examiner—Robert M. Spear

Assistant Examiner—Mary Ann Calabrese

(74) *Attorney, Agent, or Firm*—Andrew Wilford

(57) **CLAIM**

The ornamental design for a display stand, as shown and described.

DESCRIPTION

FIG. 1 is a front perspective view of a display stand showing my new design;

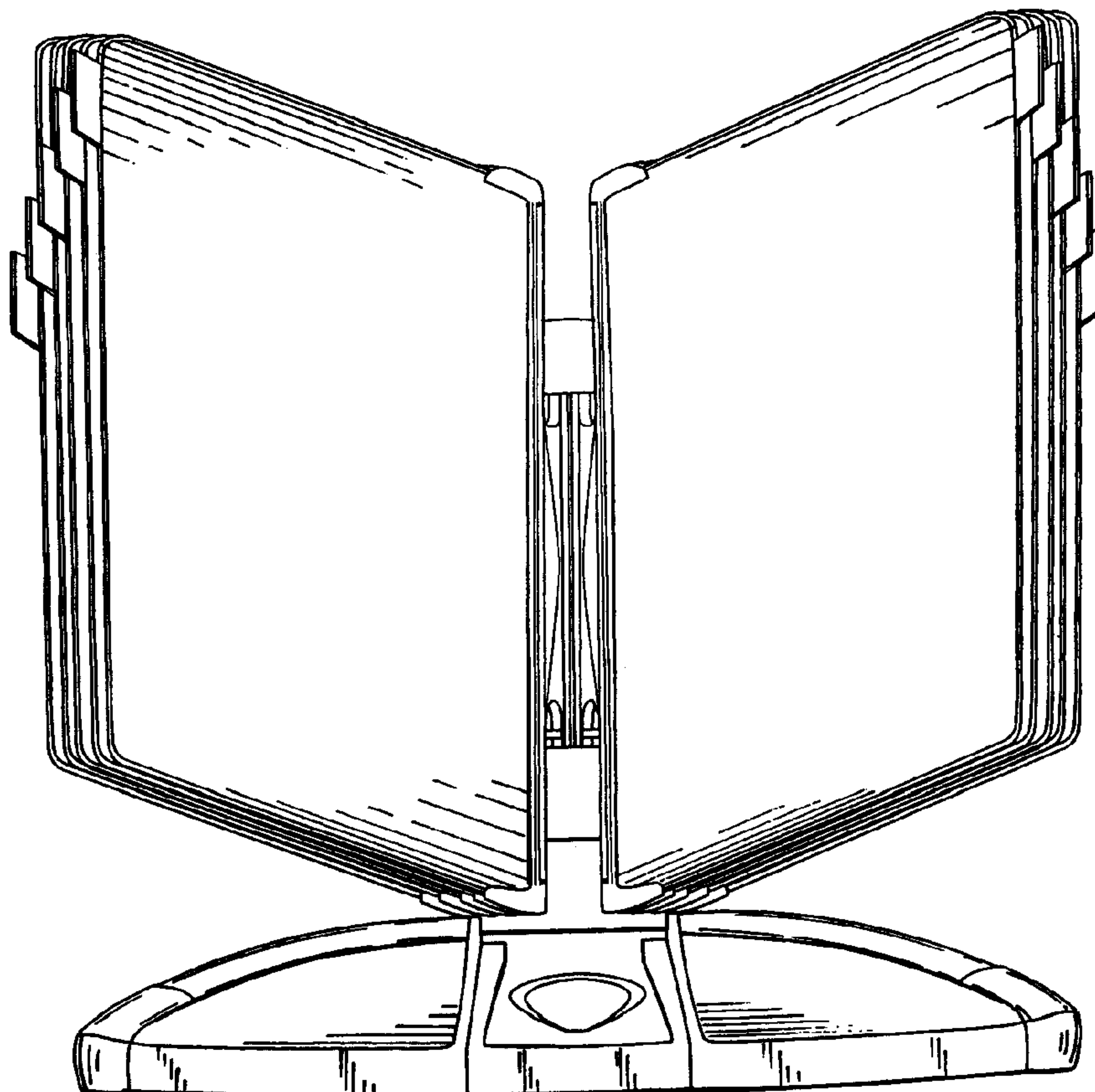
FIG. 2 is a rear perspective view thereof;

FIG. 3 is a right-side perspective view thereof;

FIG. 4 is a left-side perspective view thereof; and,

FIG. 5 is a top plan view thereof.

1 Claim, 4 Drawing Sheets



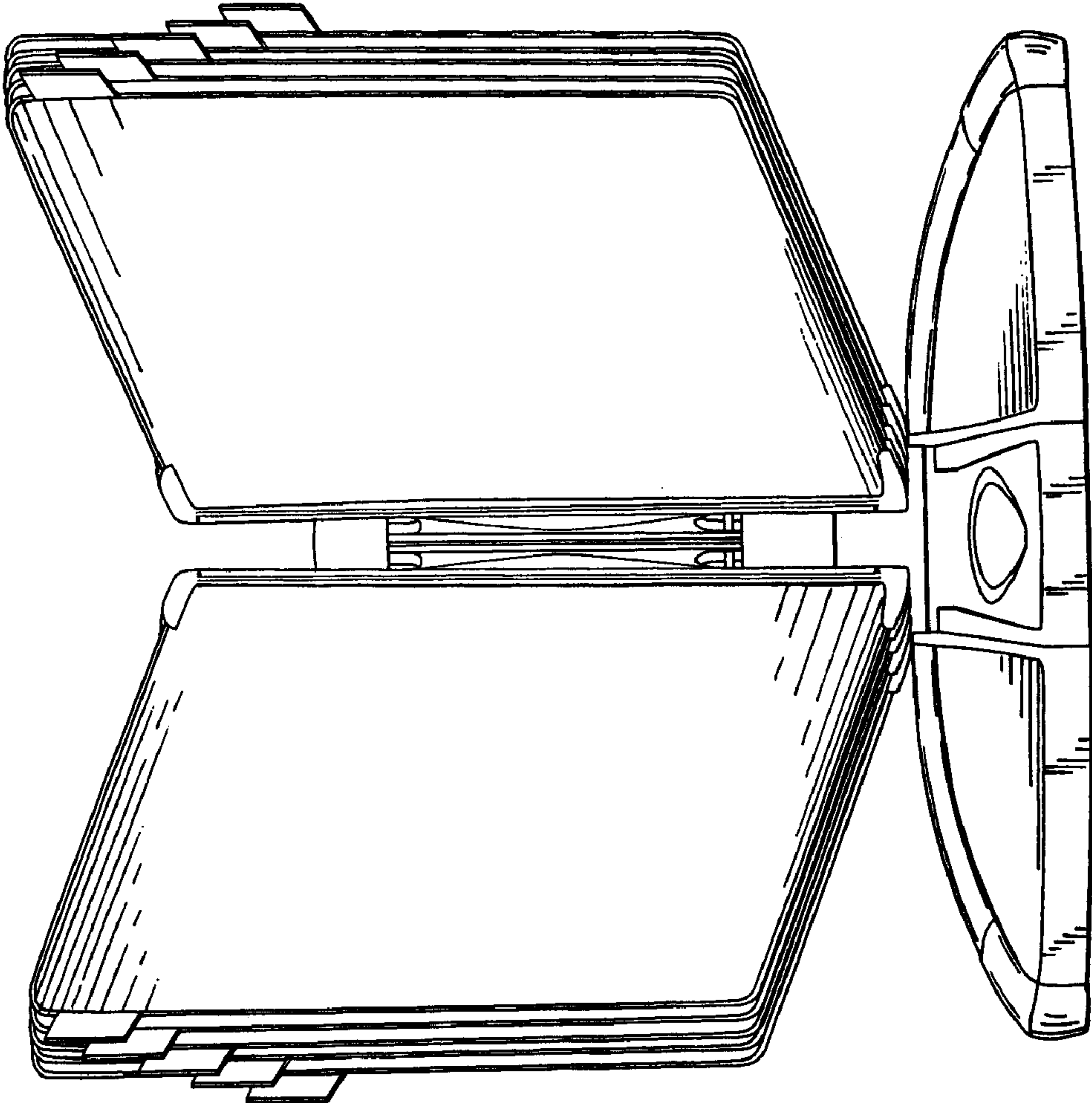


FIG.1

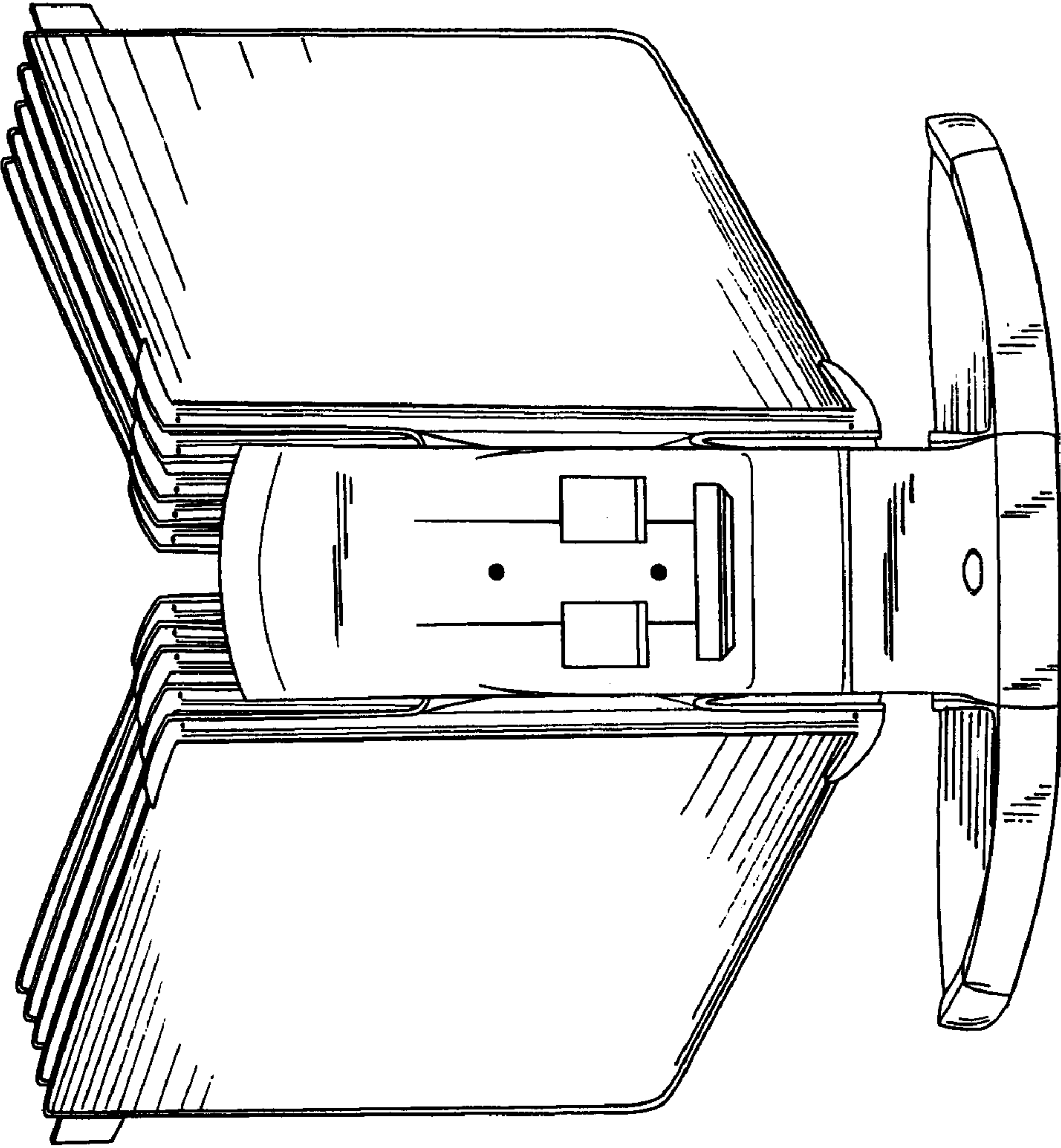


FIG.2

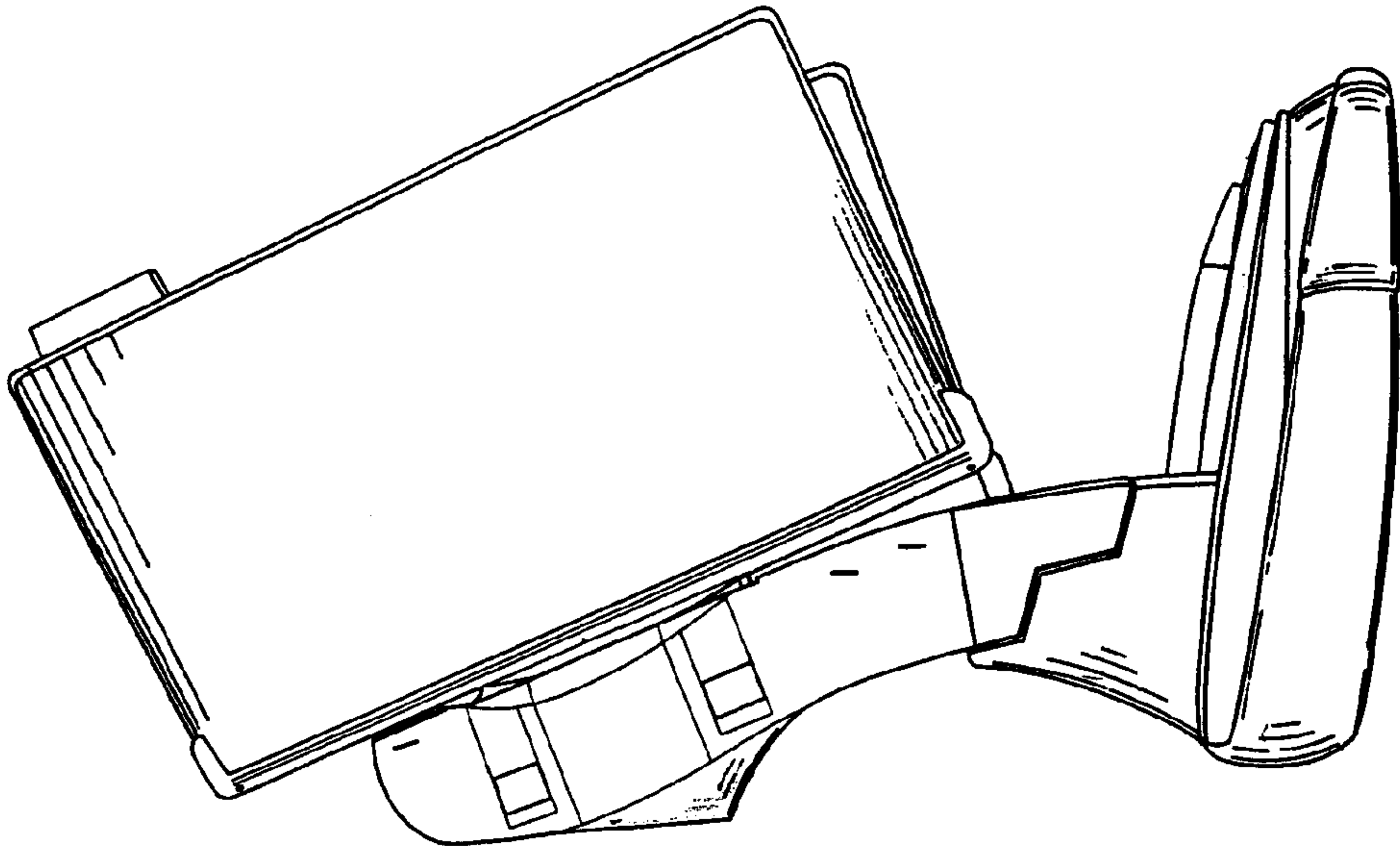


FIG. 4

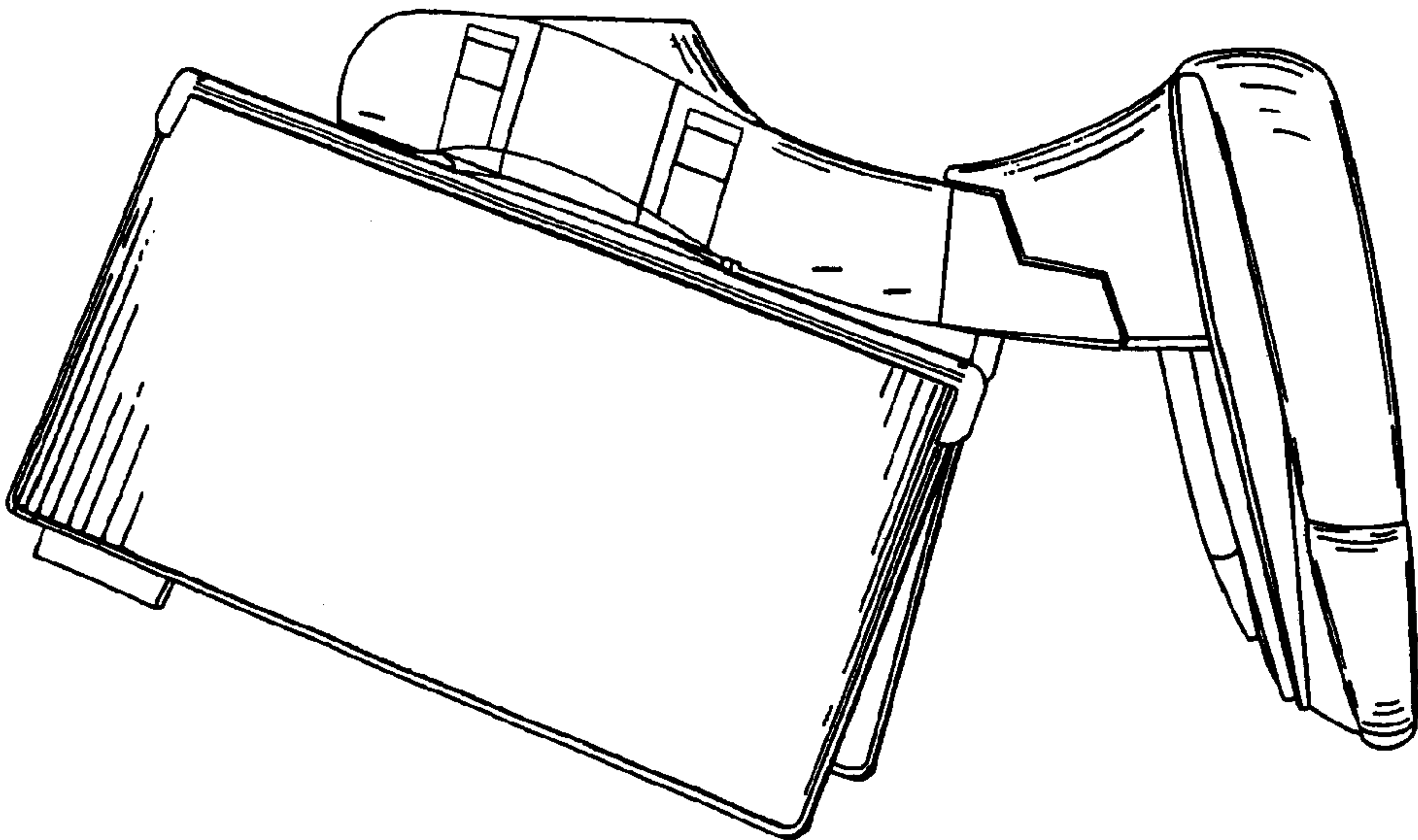


FIG. 3

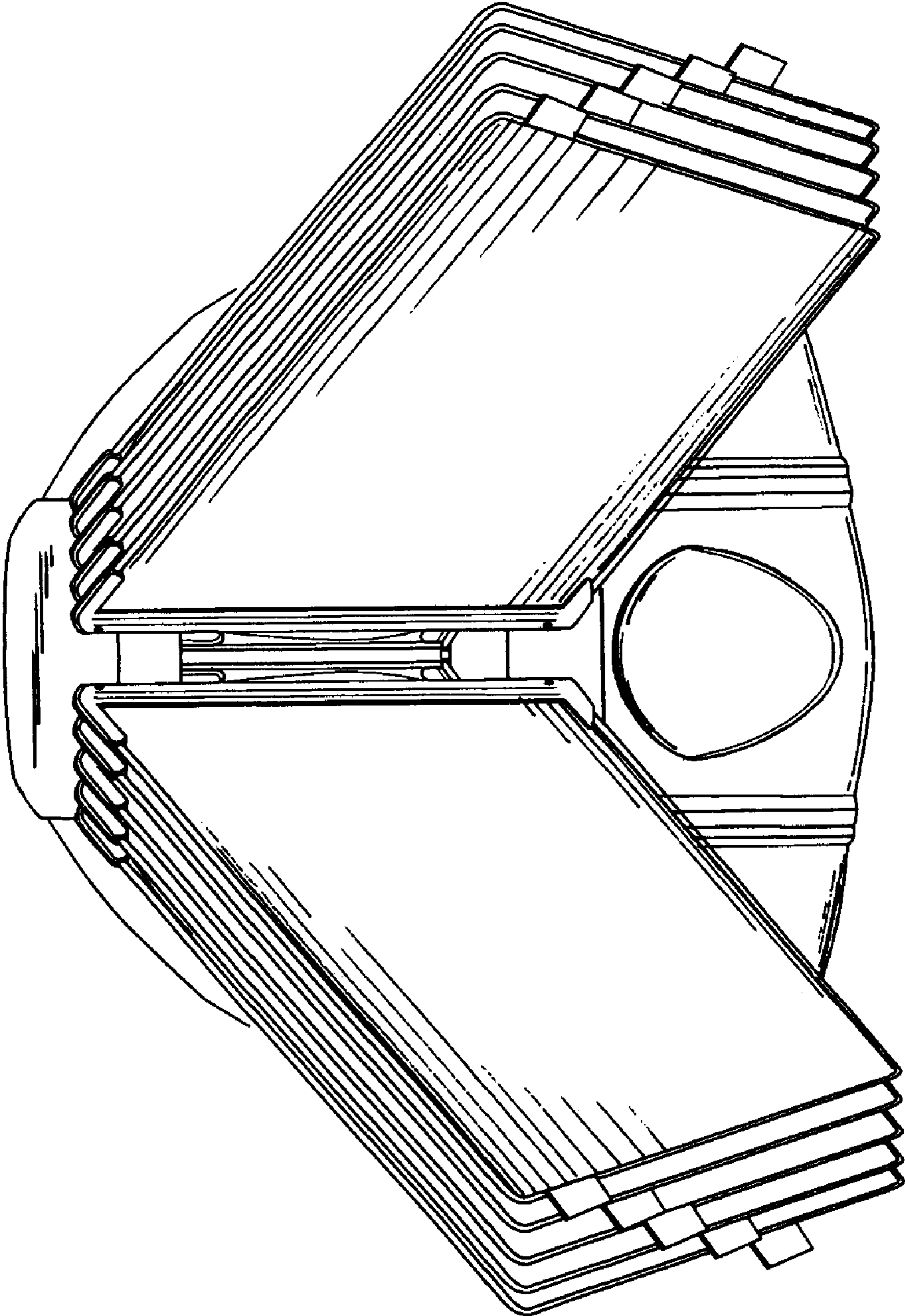


FIG. 5