

US00D548482S

(12) **United States Design Patent** (10) **Patent No.:** **US D548,482 S**
Miklitarian (45) **Date of Patent:** **** Aug. 14, 2007**

(54) **DISPLAY CASE FOR EYEGLASSES**

D491,754 S * 6/2004 Harwanko D6/479
D496,809 S * 10/2004 Dardashti D6/479

(75) Inventor: **Alain Miklitarian**, Paris (FR)

OTHER PUBLICATIONS

Ben ôit Devarrieux, various eyeglass displays, published 1982.

(73) Assignee: **WIS Sarl**, Paris (FR)

* cited by examiner

(**) Term: **14 Years**

Primary Examiner—Janice E. Seeger

(21) Appl. No.: **29/240,908**

Assistant Examiner—Sydney R. Buffalow

(22) Filed: **Oct. 20, 2005**

(74) *Attorney, Agent, or Firm*—Norris McLaughlin & Marcus PA

(51) **LOC (8) Cl.** **06-04**

(57) **CLAIM**

(52) **U.S. Cl.** **D6/397**

(58) **Field of Classification Search** D6/397,
D6/396, 449, 477, 478, 479, 462, 315, 317,
D6/318, 465, 480, 487, 524; 211/189, 13.1,
211/187, 186, 86.01, 181.1, 134; 108/59,
108/64, 109, 152, 106, 107, 91–93
See application file for complete search history.

The ornamental design for a display case for eyeglasses, as shown and described.

DESCRIPTION

(56) **References Cited**

U.S. PATENT DOCUMENTS

1,561,432 A * 11/1925 Hitchcock 248/230.2
D193,258 S * 7/1962 McPhail D6/468
D200,562 S * 3/1965 Ouden D6/468
D202,155 S * 8/1965 Probasco D6/468
3,221,678 A * 12/1965 Doherty 248/230.1
D208,890 S * 10/1967 Sorensen D6/315
D252,967 S * 9/1979 Denhoff D6/479
4,940,150 A * 7/1990 Spengler 211/188
5,148,928 A * 9/1992 Arnold 211/187
D375,413 S * 11/1996 Lin D6/319
6,116,437 A * 9/2000 Rowe 211/189
6,260,488 B1 * 7/2001 Yang et al. 108/107
6,273,280 B1 * 8/2001 Markarian 211/113
D455,030 S * 4/2002 Harwanko D6/479
6,443,319 B1 * 9/2002 Sander 211/187

FIG. 1 is a front view of the first embodiment of the display case for eyeglasses.

FIG. 2 is a rear view of the first embodiment of the display case for eyeglasses.

FIG. 3 is a right side view of the first embodiment of the display case for eyeglasses.

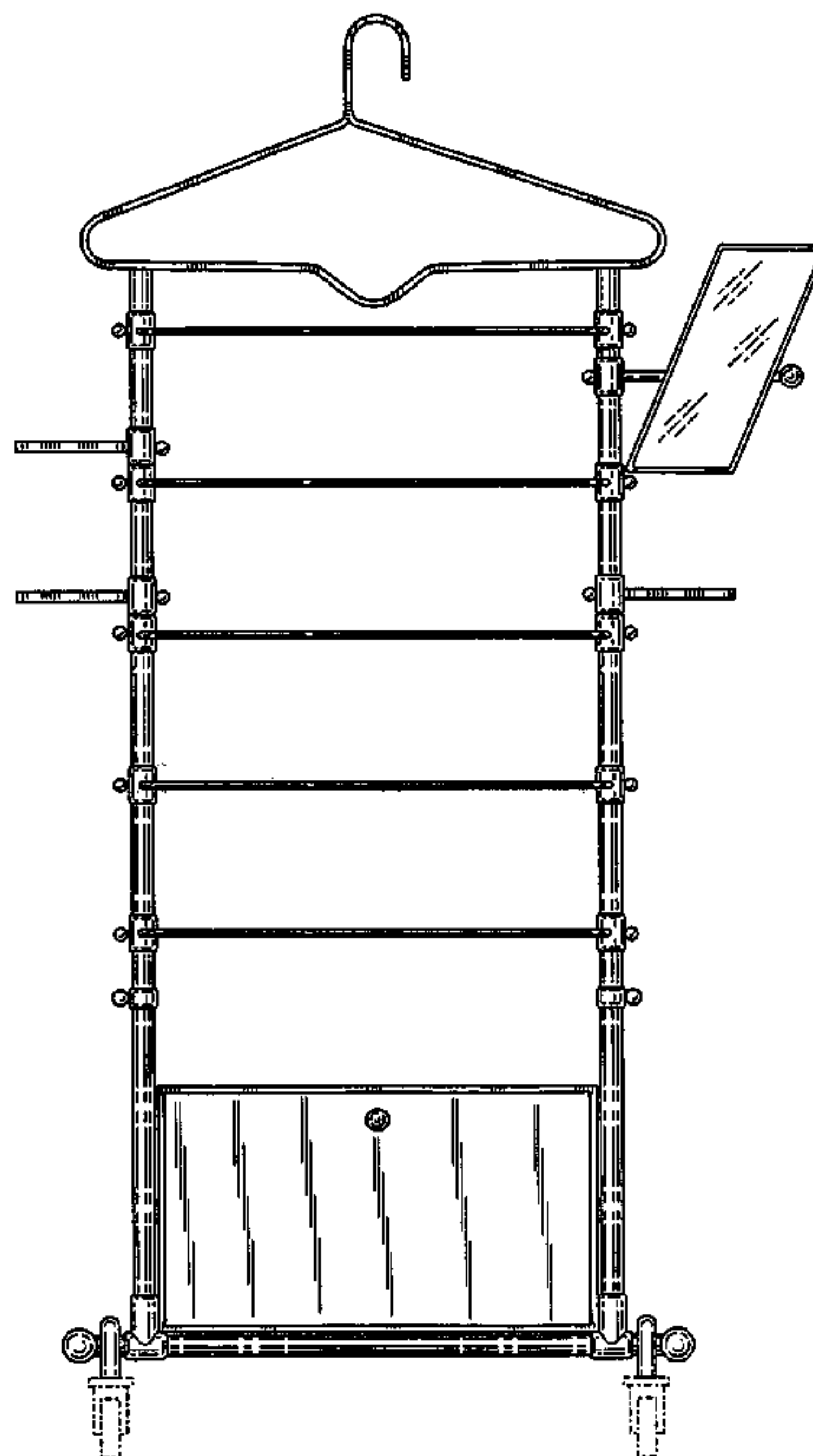
FIG. 4 is a left side view of the first embodiment of the display case for eyeglasses.

FIG. 5 is a top view of the first embodiment of the display case for eyeglasses.

FIG. 6 is a front perspective view of the first embodiment of the display case for eyeglasses; and,

FIG. 7 is a front perspective view, the broken lines are for environmental purposes only and form no part of the claimed design.

1 Claim, 6 Drawing Sheets



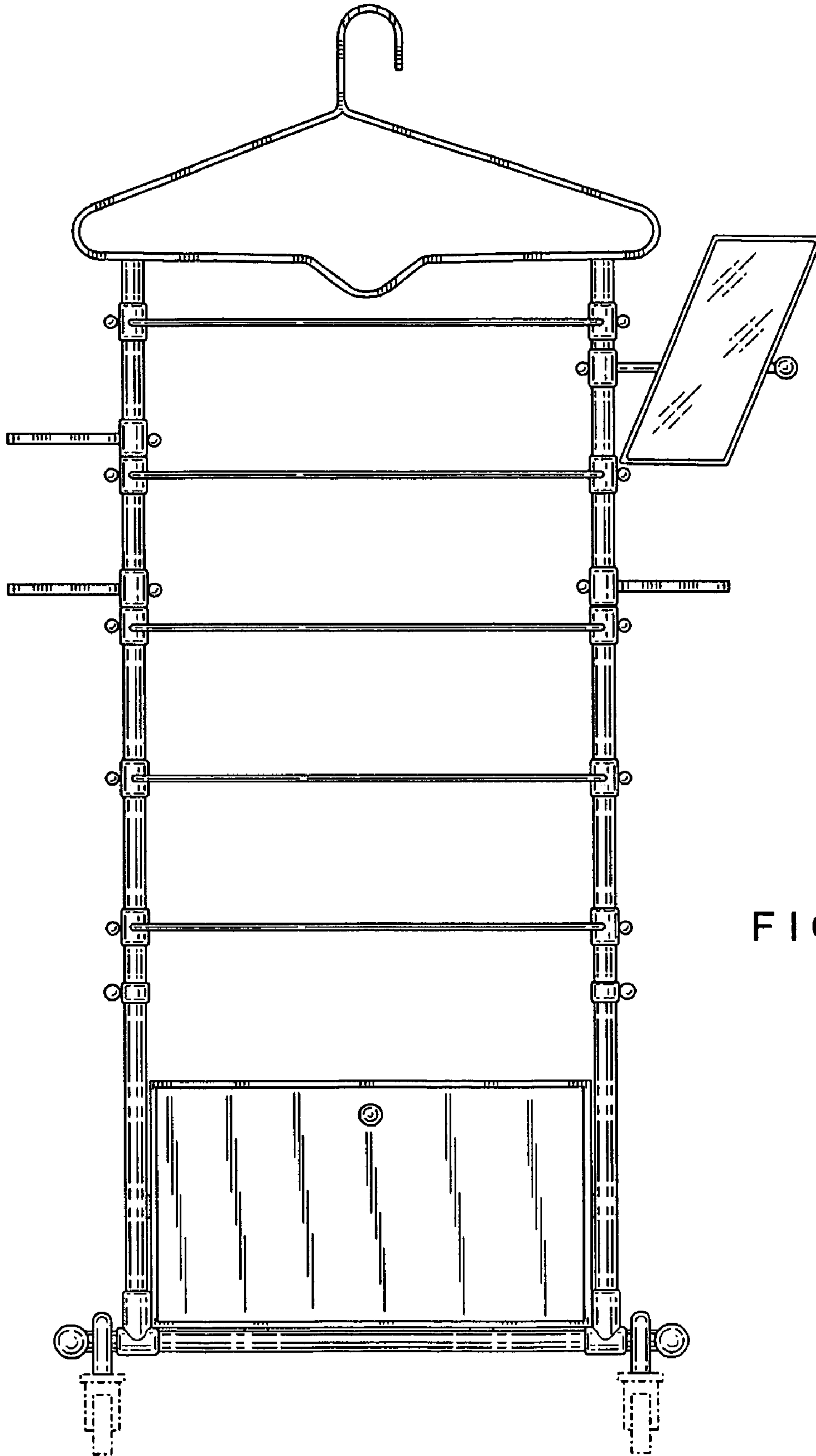


FIG. 1

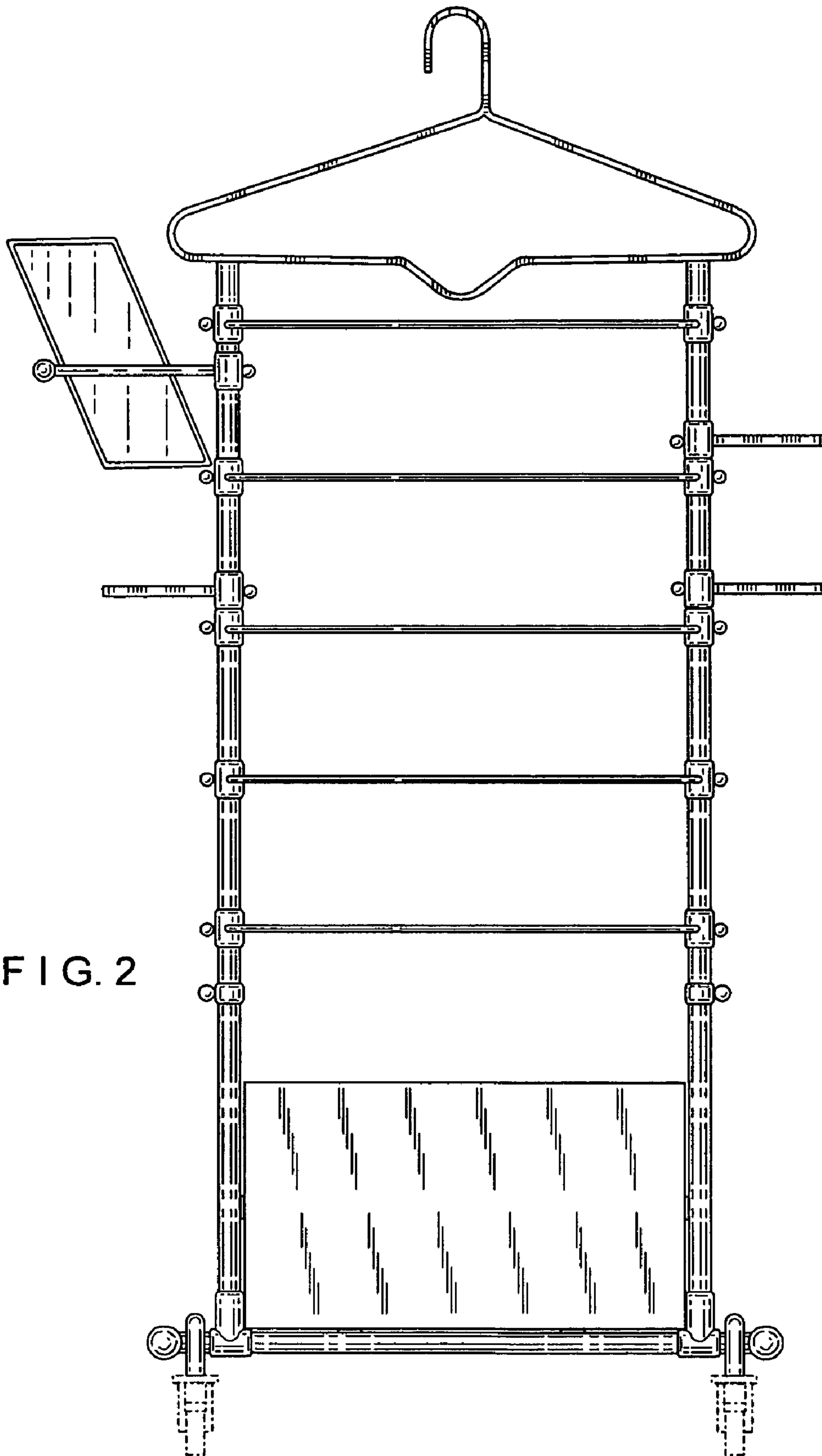


FIG. 2

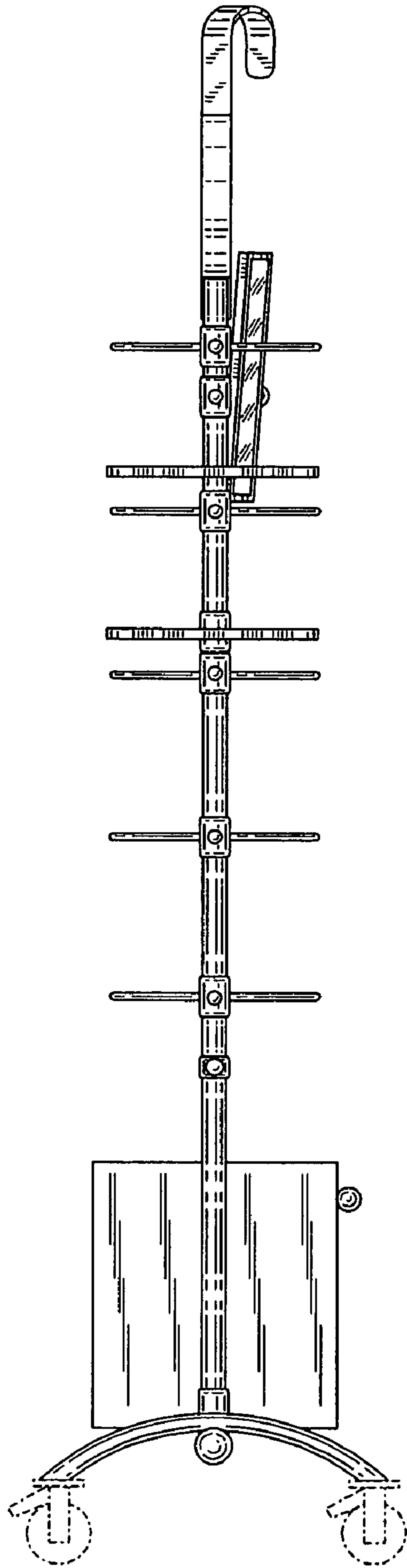


FIG. 3

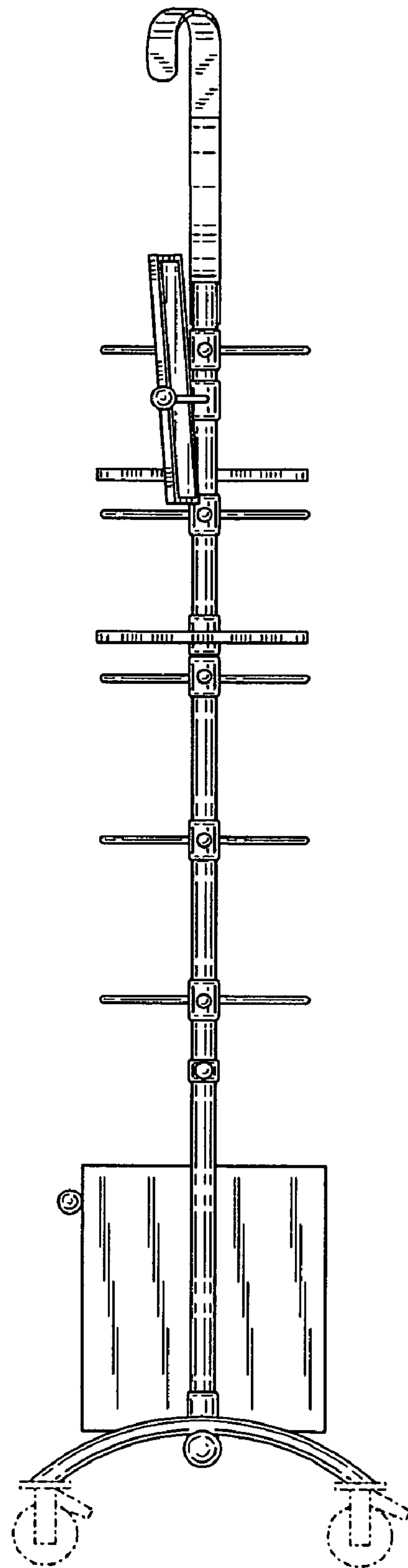


FIG. 4

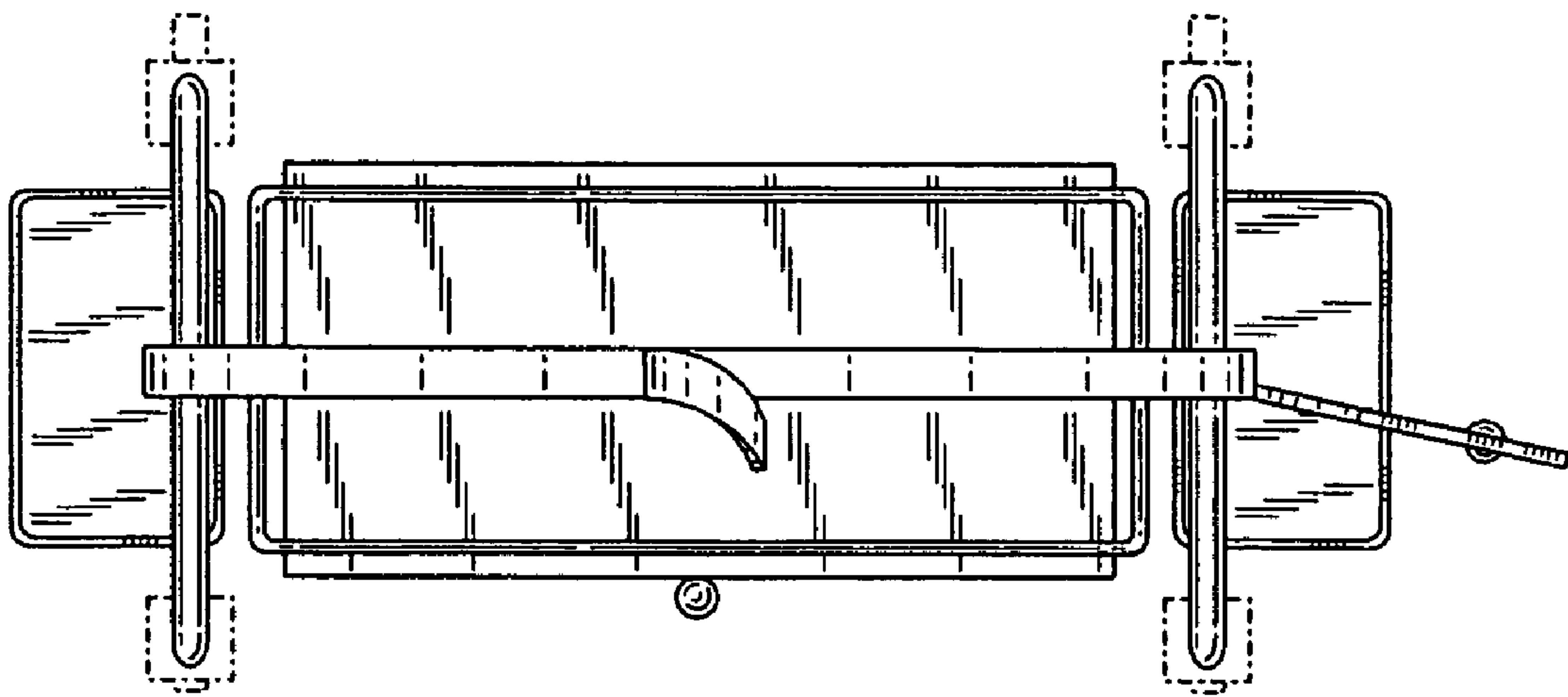


FIG. 5

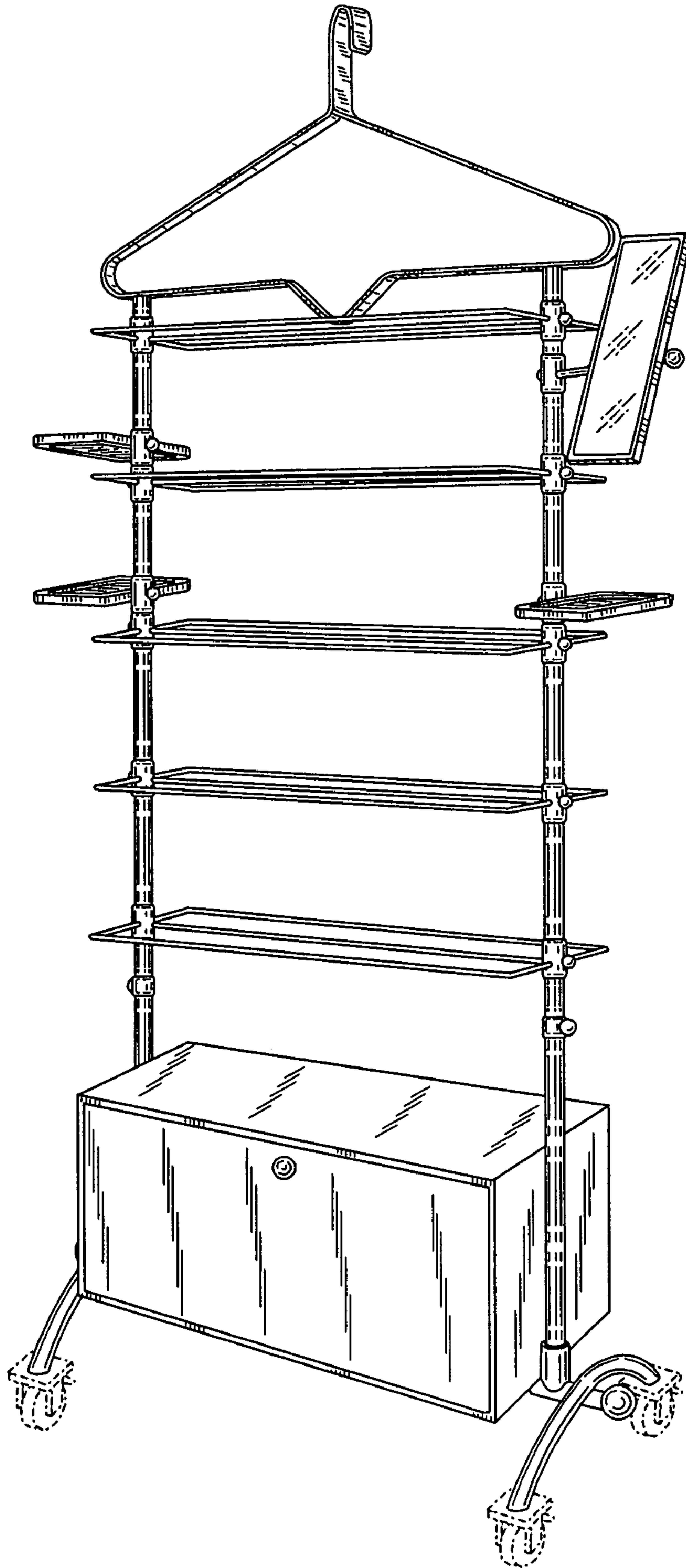


FIG. 6

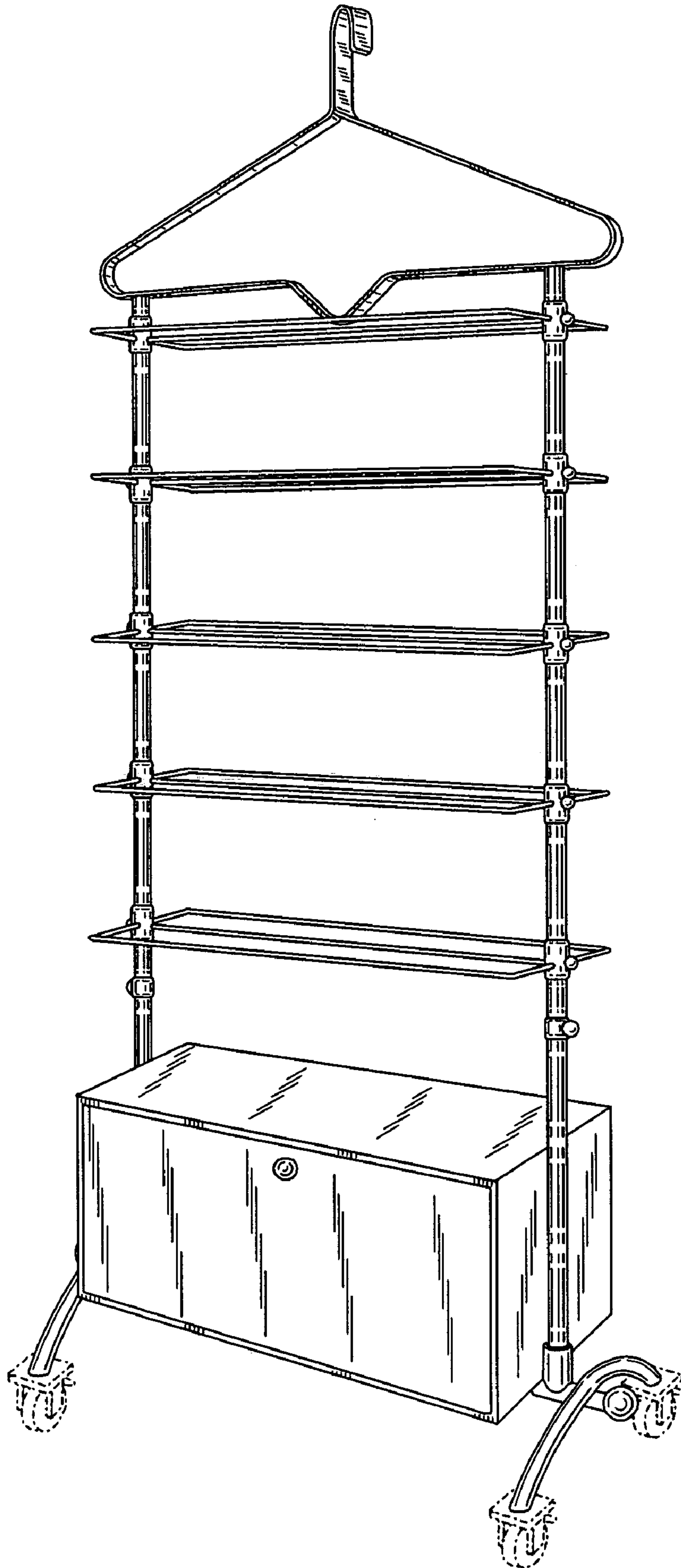


FIG. 7