



US00D548479S

(12) **United States Design Patent**
Clark

(10) **Patent No.:** **US D548,479 S**

(45) **Date of Patent:** **** Aug. 14, 2007**

(54) **PORTABLE BABY BED**

D500,622 S * 1/2005 Owen D6/596
D525,804 S * 8/2006 Schwartz D6/393

(76) Inventor: **Darrick T. Clark**, 1638 Shady Glen
La., Dallas, TX (US) 75232

* cited by examiner

(**) Term: **14 Years**

Primary Examiner—Janice E. Seeger

(74) *Attorney, Agent, or Firm*—Dennis T. Griggs

(21) Appl. No.: **29/254,565**

(22) Filed: **Feb. 24, 2006**

(57) **CLAIM**

The ornamental design for a portable baby bed, as shown
and described.

(51) **LOC (8) Cl.** **06-01**

(52) **U.S. Cl.** **D6/382; D6/604; D6/333;**
D21/809

DESCRIPTION

(58) **Field of Classification Search** D6/382,
D6/389, 391–395, 331, 390, 595, 596, 333,
D6/604, 368, 361; 5/53.1, 907, 279.1, 280,
5/281, 655.3, 706; D21/803, 809
See application file for complete search history.

FIG. 1 is a perspective view showing my new design;

FIG. 2 is a top plan view thereof;

FIG. 3 is a left side elevational view thereof, the right side
elevational view being a mirror image thereof;

FIG. 4 is a front elevational view thereof; and,

FIG. 5 is a rear elevational view thereof.

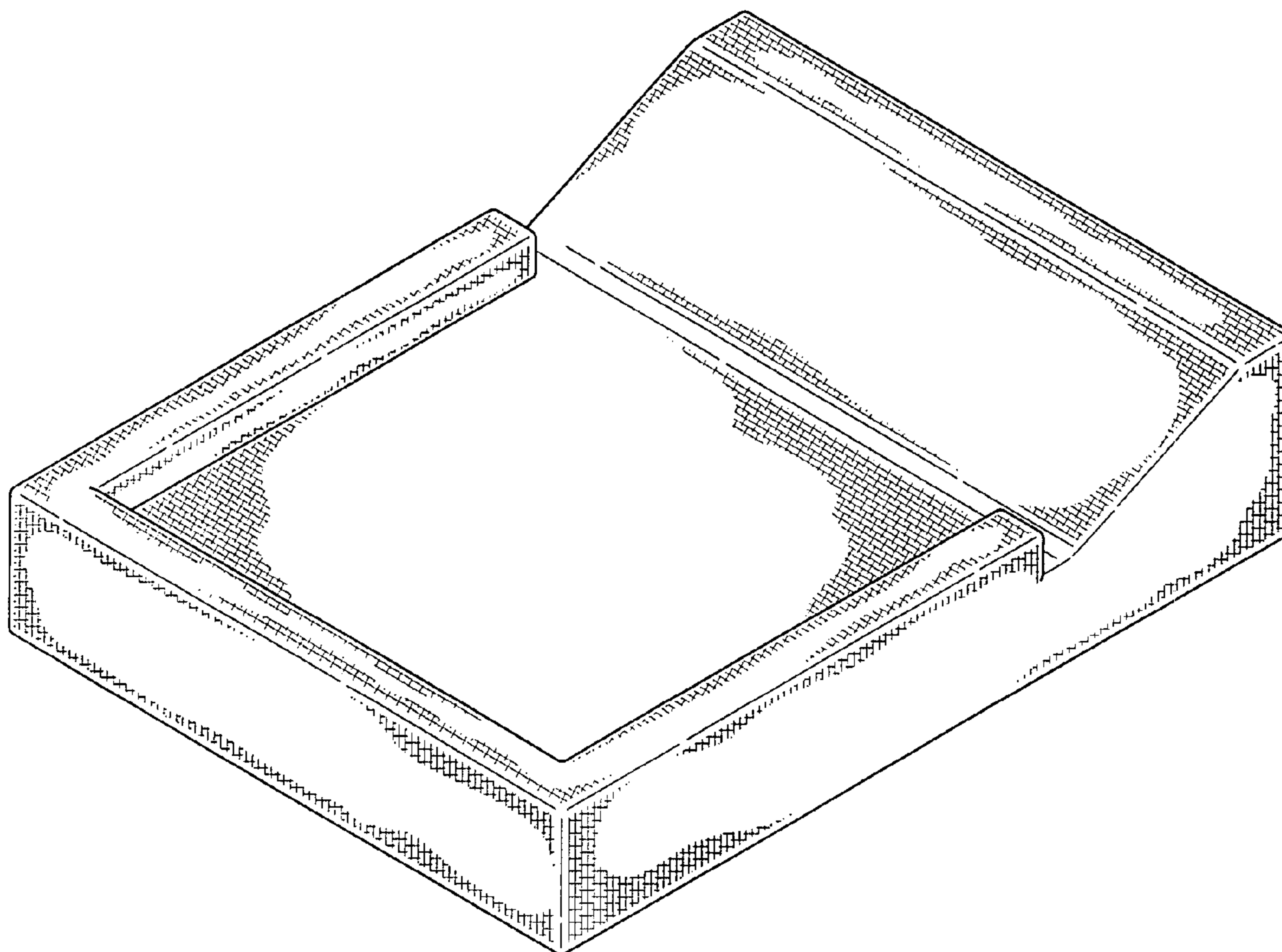
(56) **References Cited**

U.S. PATENT DOCUMENTS

The bottom view is omitted and forms no part of the claimed
design.

D278,004 S * 3/1985 Sigona D6/361
D301,166 S * 5/1989 Miklja D24/183
D398,181 S * 9/1998 Lange et al. D6/596

1 Claim, 3 Drawing Sheets



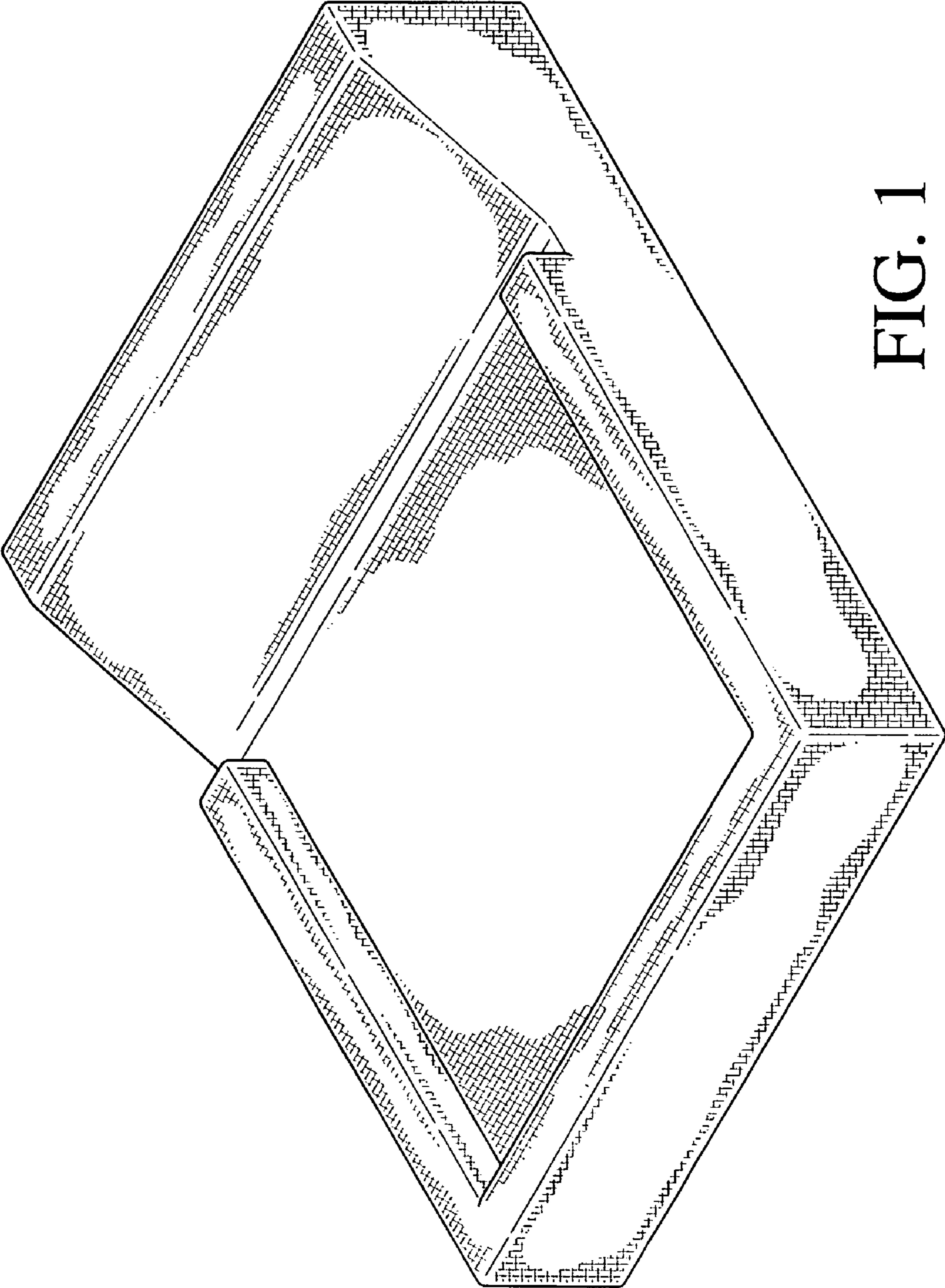


FIG. 1

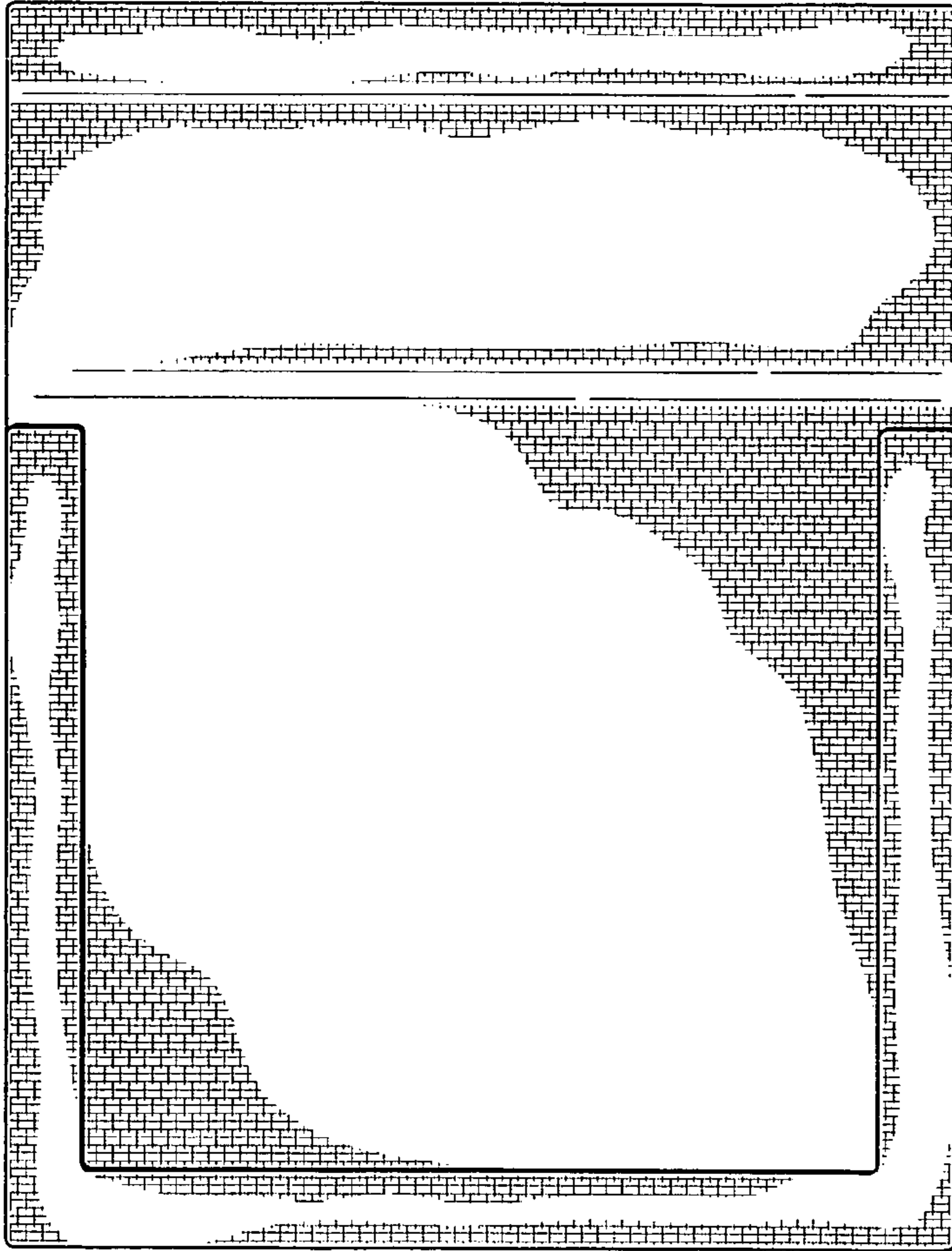


FIG. 2

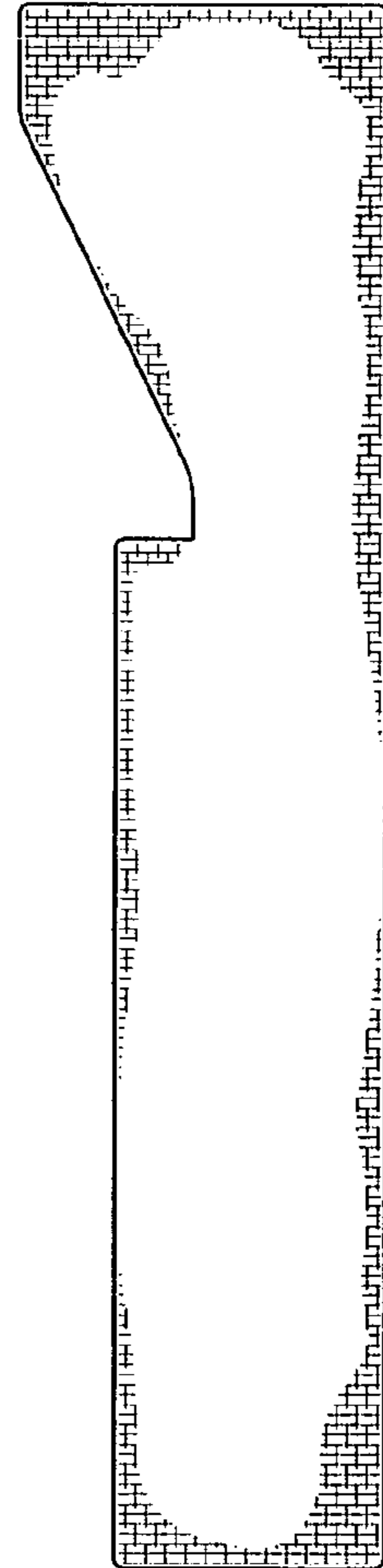


FIG. 3

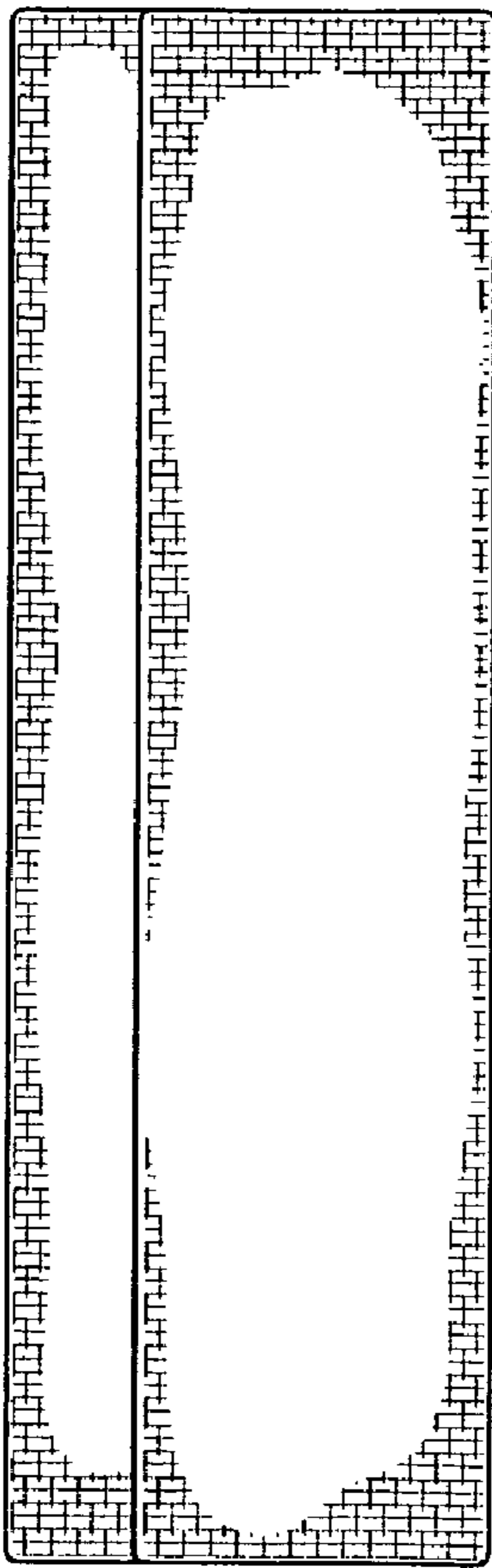


FIG. 4

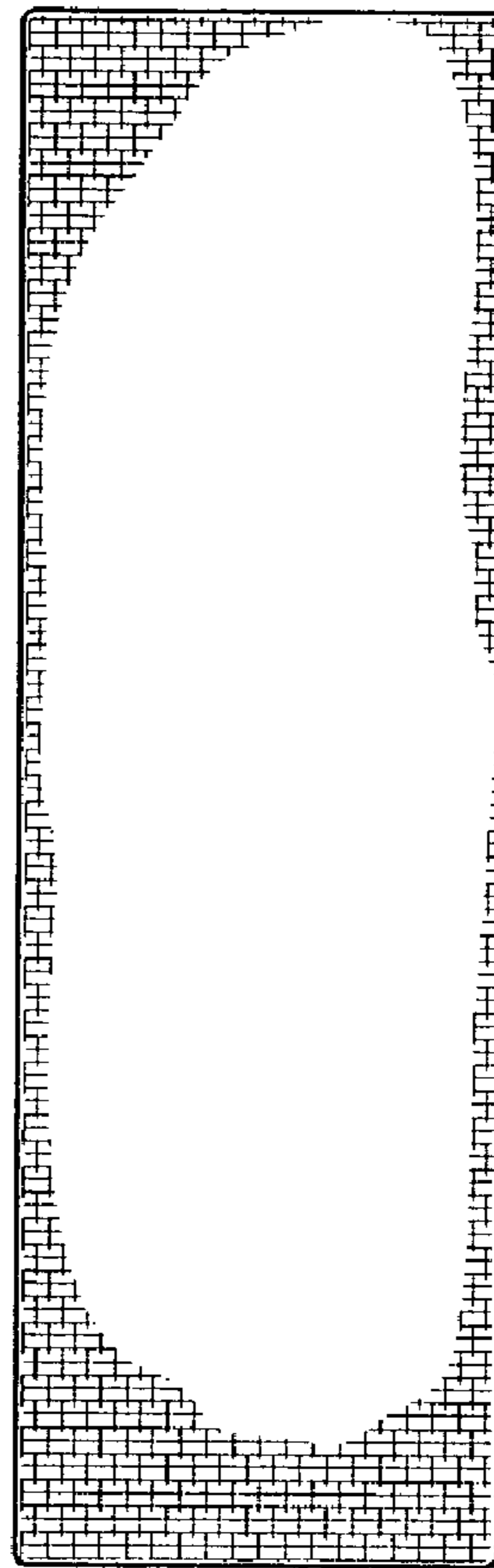


FIG. 5