

US00D548477S

(12) **United States Design Patent**  
**Olano**

(10) **Patent No.:** **US D548,477 S**

(45) **Date of Patent:** **\*\* Aug. 14, 2007**

(54) **CHAIR**

(75) Inventor: **Juan Carlos Olano**, Legorreta (ES)

(73) Assignee: **Eredu, S.Coop**, Legorreta (Gipuzkoa) (ES)

(\*\*) Term: **14 Years**

(21) Appl. No.: **29/246,249**

(22) Filed: **Mar. 27, 2006**

(51) **LOC (8) Cl.** ..... **06-01**

(52) **U.S. Cl.** ..... **D6/379**

(58) **Field of Classification Search** ..... D6/334-336,  
D6/360, 371-373, 374, 375, 376, 379, 380,  
D6/500-502; 297/239, 445.1, 446.1  
See application file for complete search history.

(56) **References Cited**

**U.S. PATENT DOCUMENTS**

D312,005 S *	11/1990	Snodgrass	.....	D6/379
D313,514 S *	1/1991	Zakharov	.....	D6/360
D362,557 S *	9/1995	Escalona	.....	D6/375
D364,973 S *	12/1995	de Reuver	.....	D6/375

D410,802 S *	6/1999	Olson	.....	D6/379
D436,751 S *	1/2001	Schacht	.....	D6/379
D449,459 S *	10/2001	Diez Mintegi	.....	D6/374
D459,604 S *	7/2002	Piretti	.....	D6/380

\* cited by examiner

*Primary Examiner*—Mimosa De

(74) *Attorney, Agent, or Firm*—Lucas & Mercanti, LLP

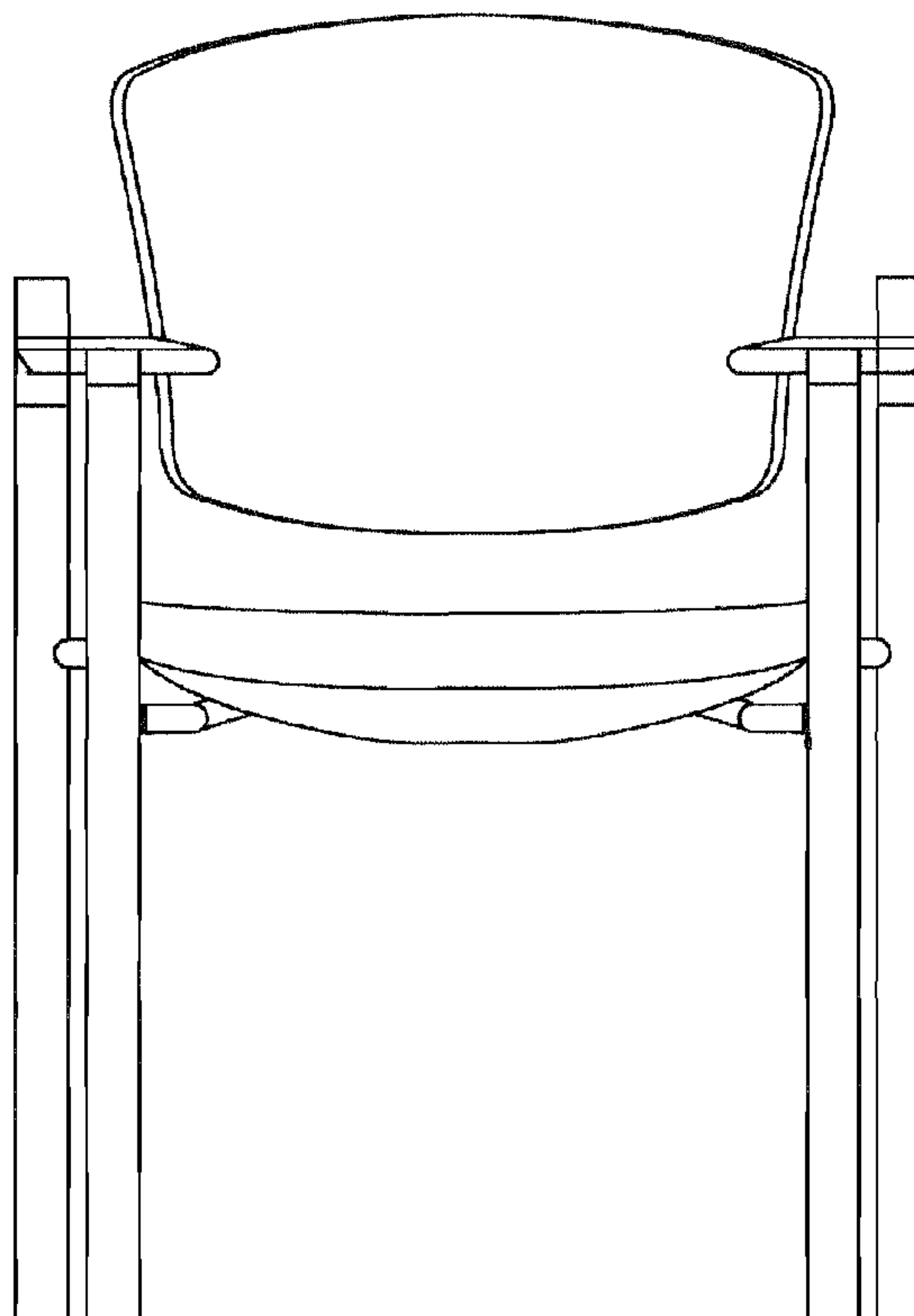
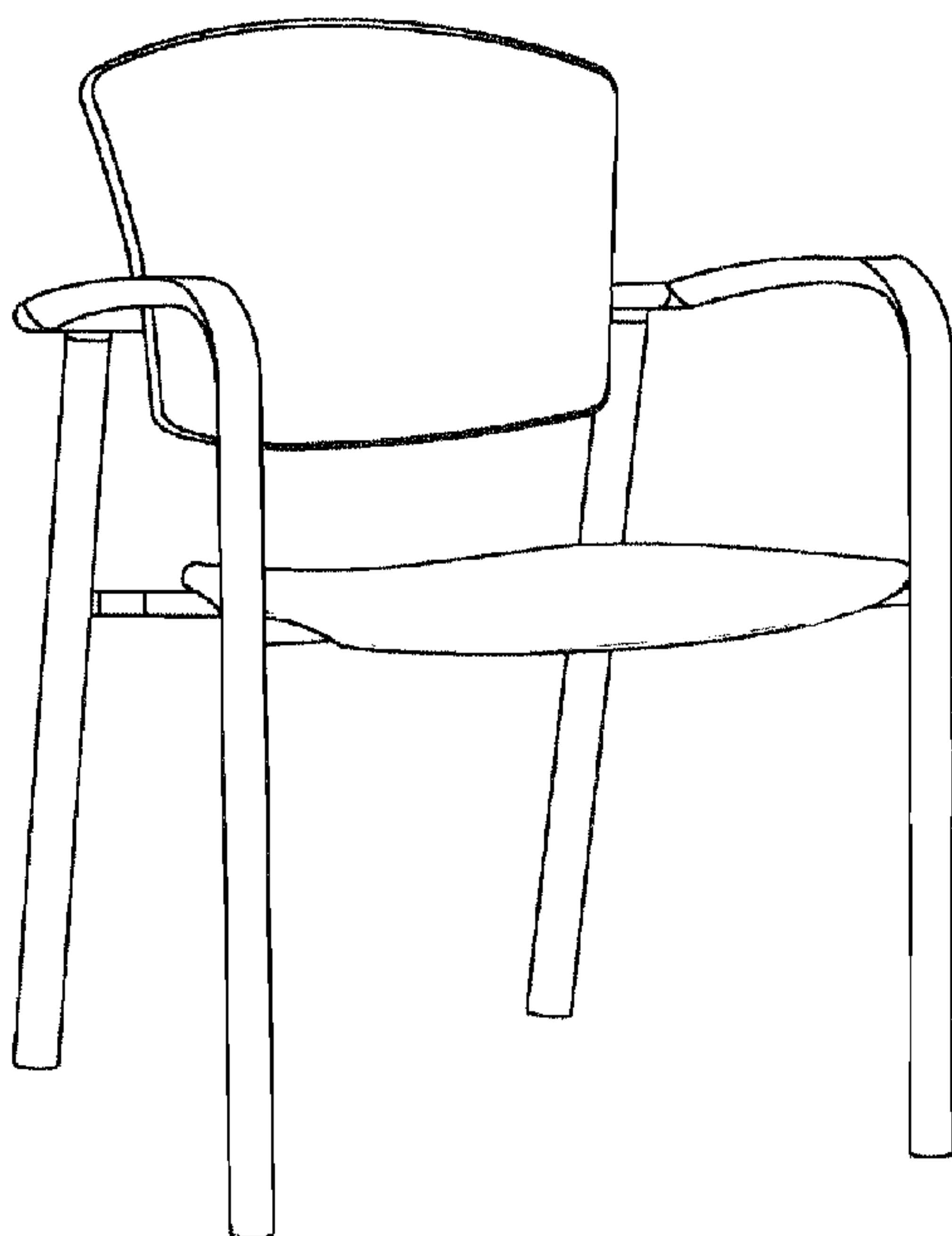
(57) **CLAIM**

The ornamental design for a chair, substantially as shown and described.

**DESCRIPTION**

FIG. 1 is a perspective view of my chair design.  
FIG. 2 is a front view of my chair design;  
FIG. 3 is a back view of my chair design;  
FIG. 4 is a right-side view of my chair design;  
FIG. 5 is a left-side view of my chair design;  
FIG. 6 is a top view of my chair design; and,  
FIG. 7 is a bottom view of my chair design.

**1 Claim, 7 Drawing Sheets**



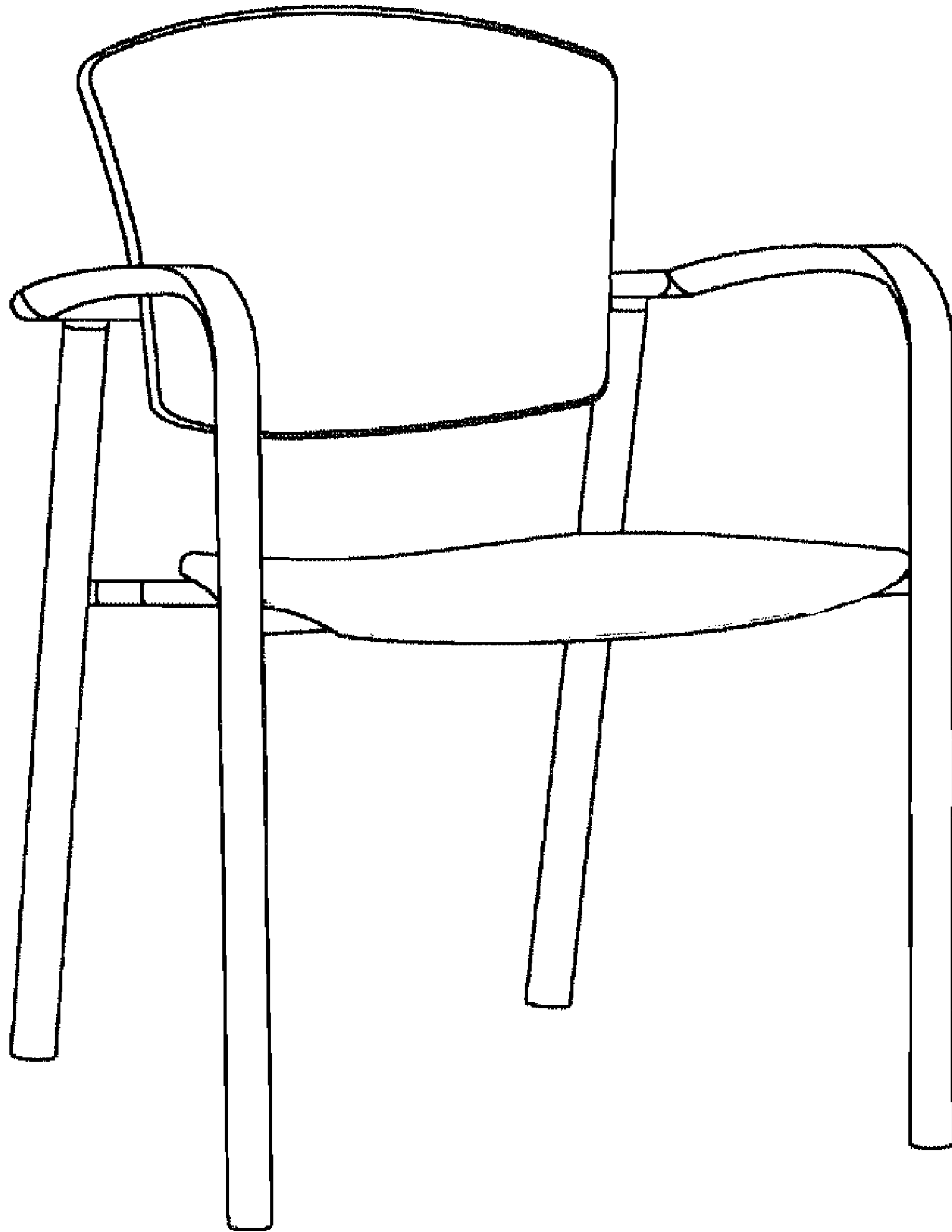


Fig. 1

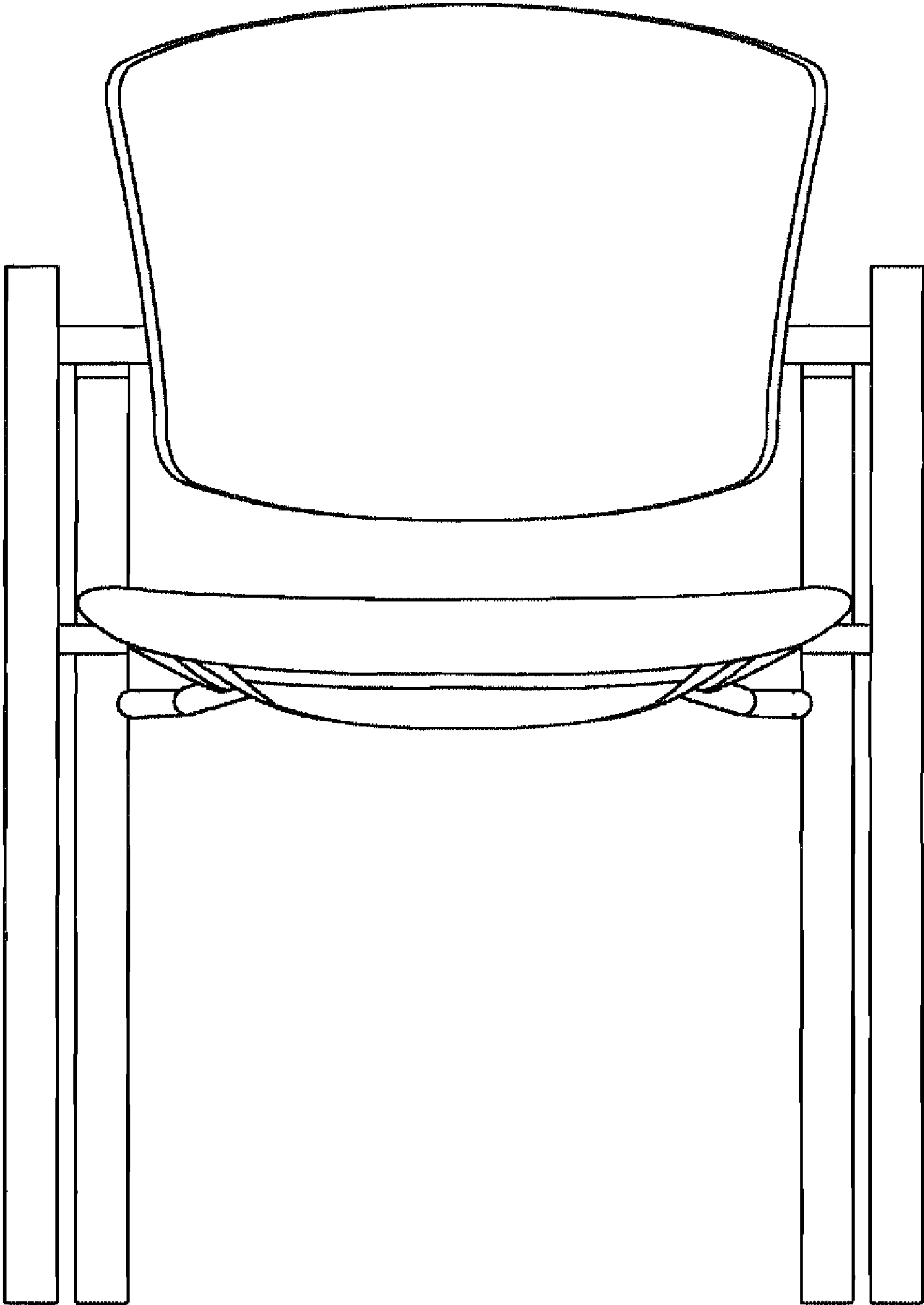


Fig. 2

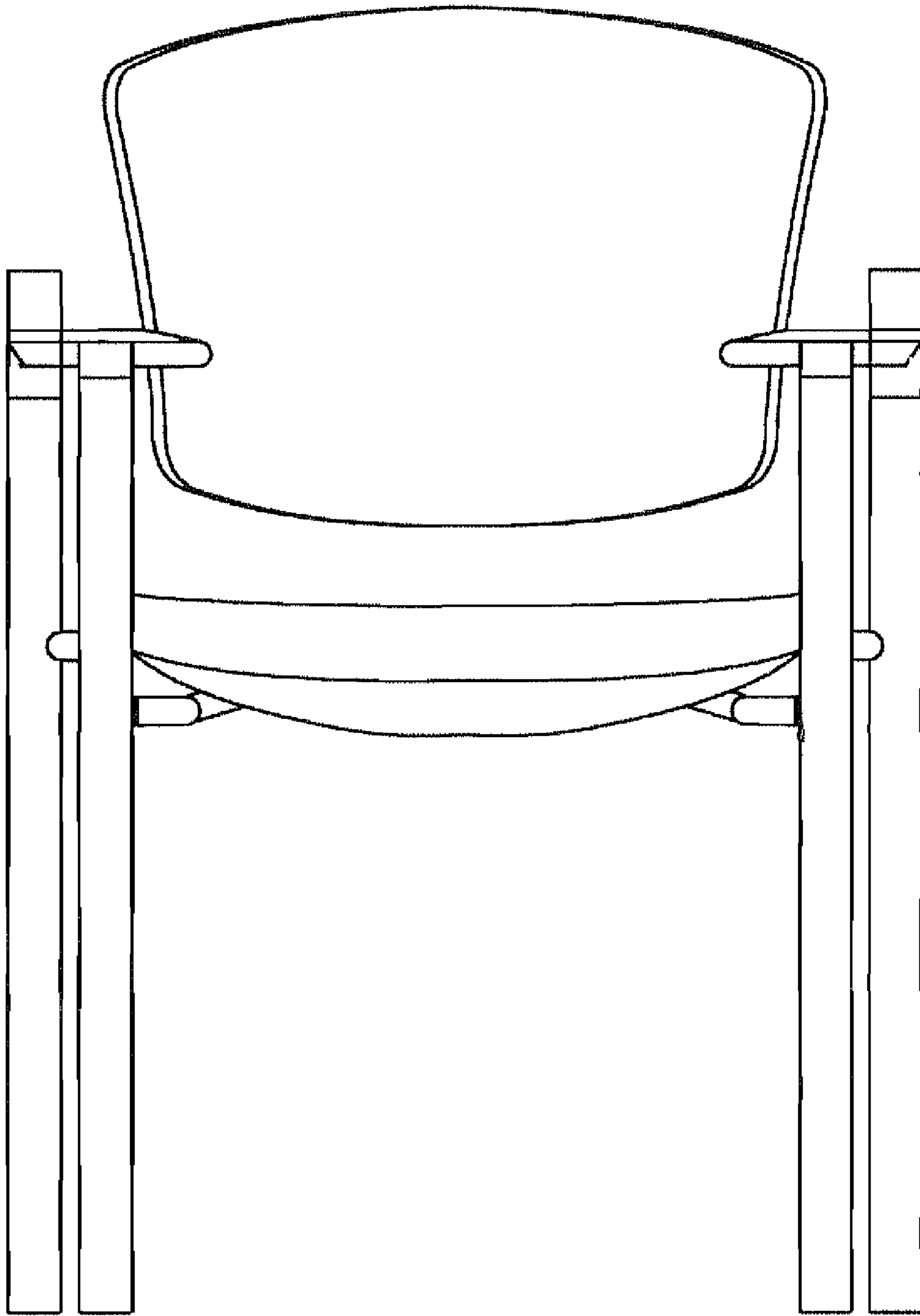


Fig. 3

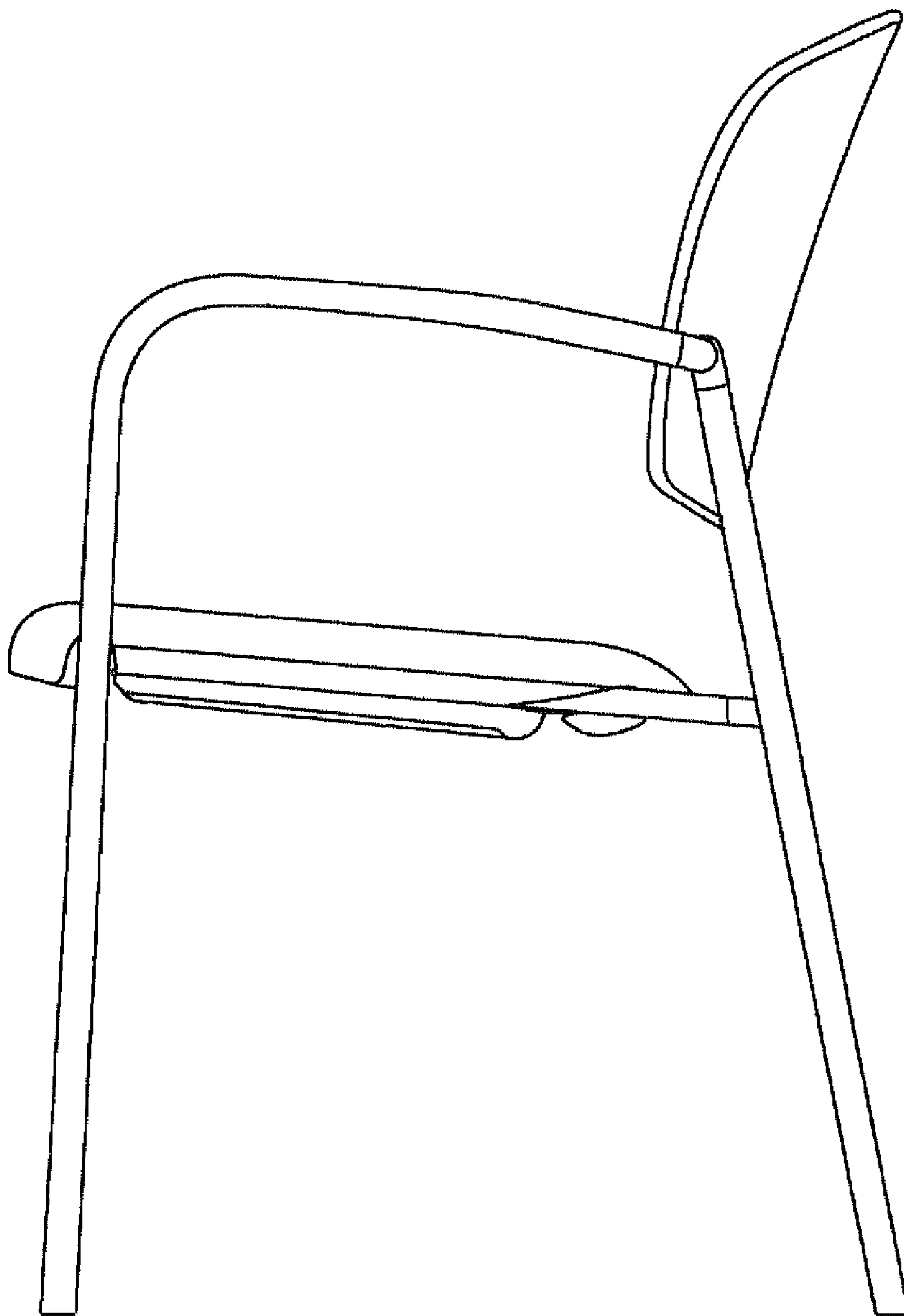


Fig. 4

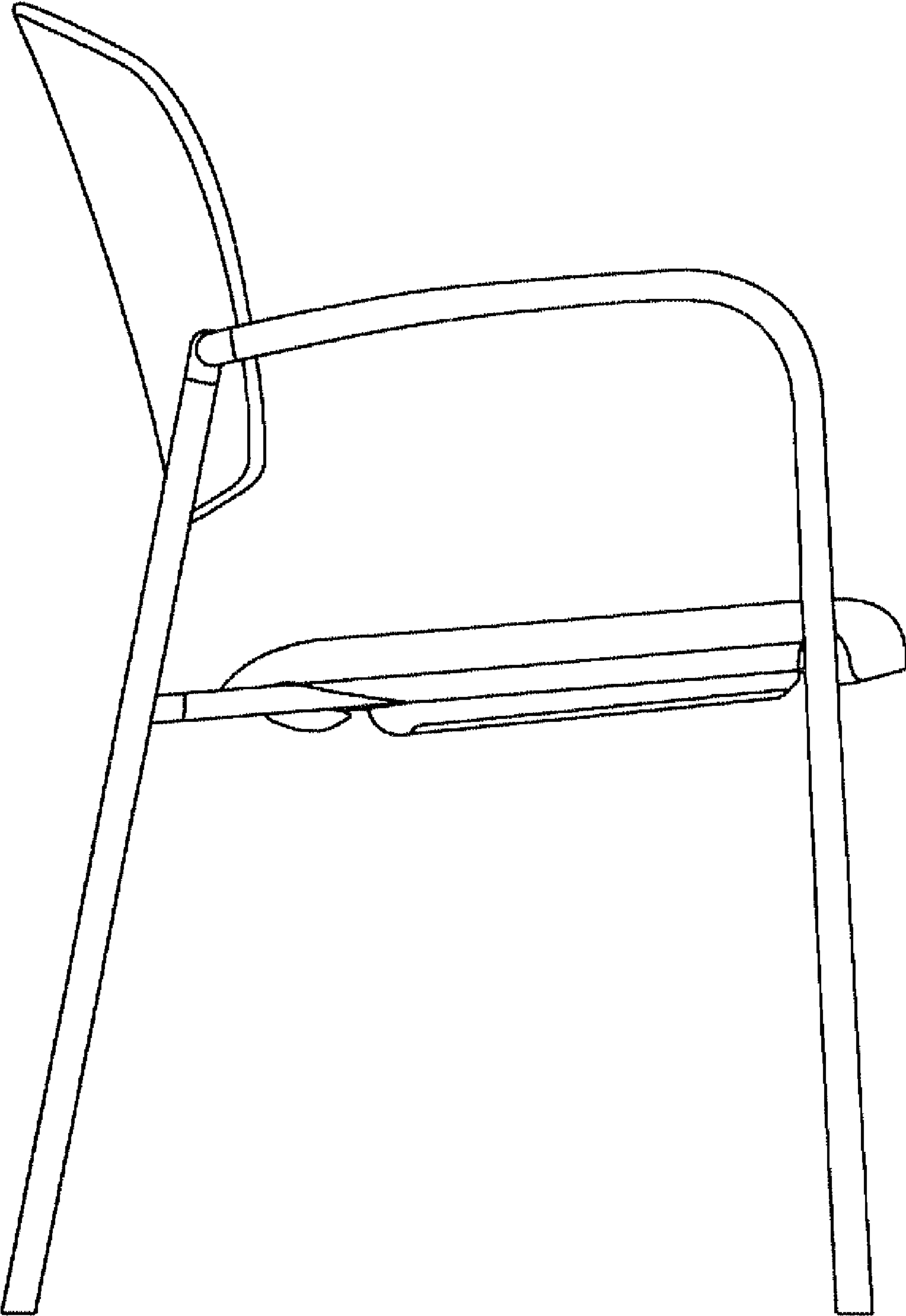


Fig. 5

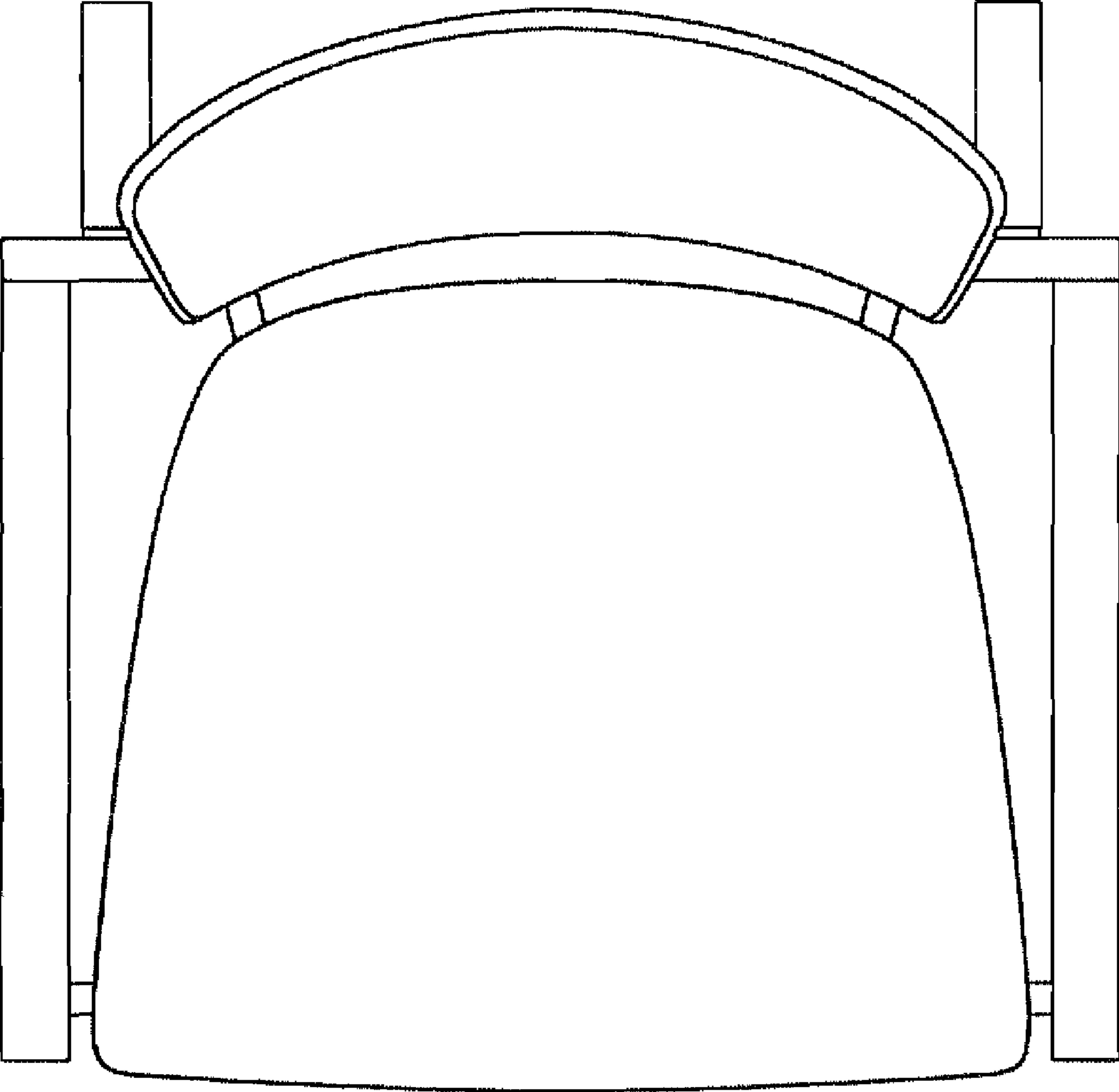


Fig. 6

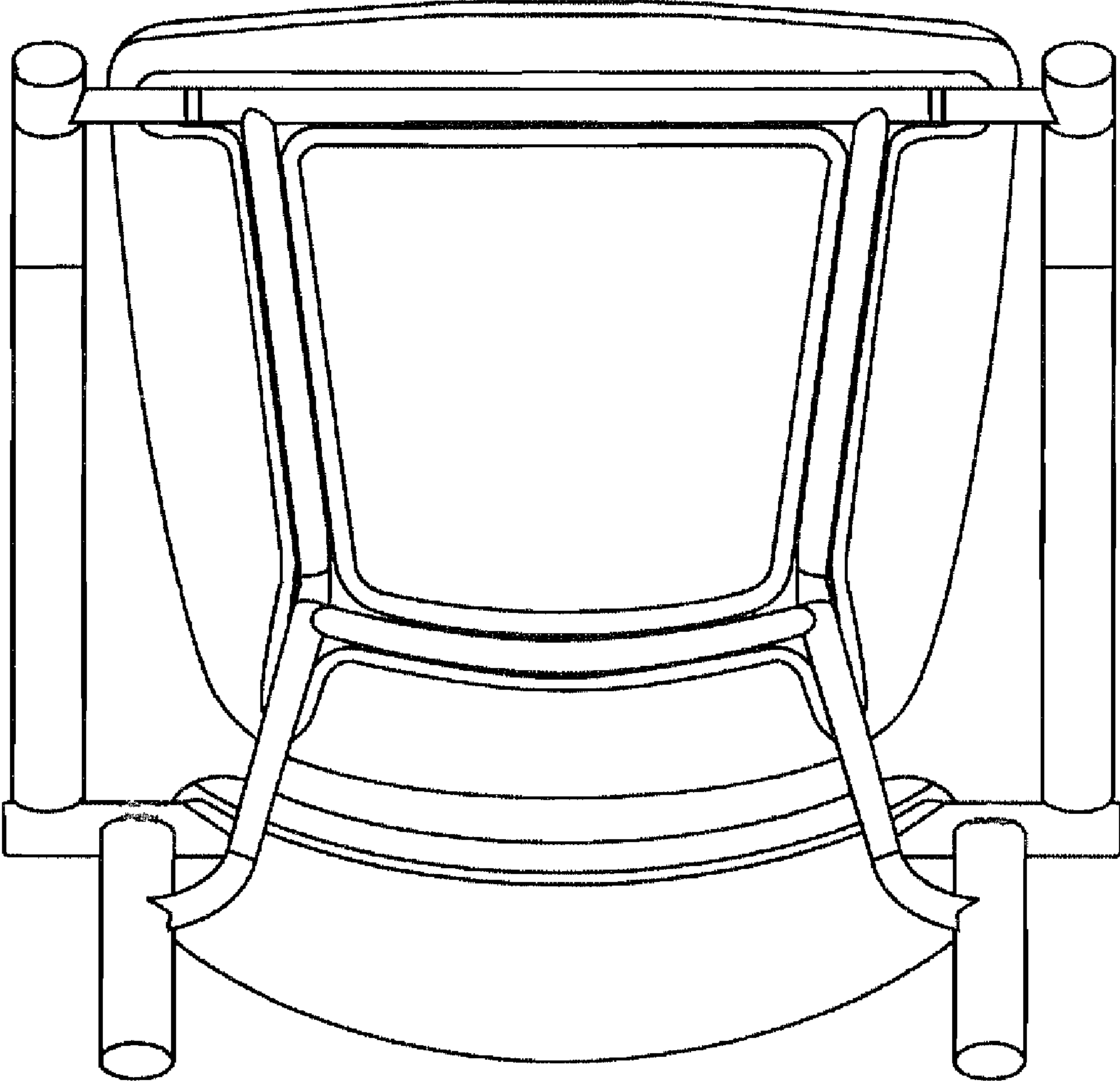


Fig. 7